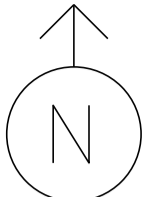
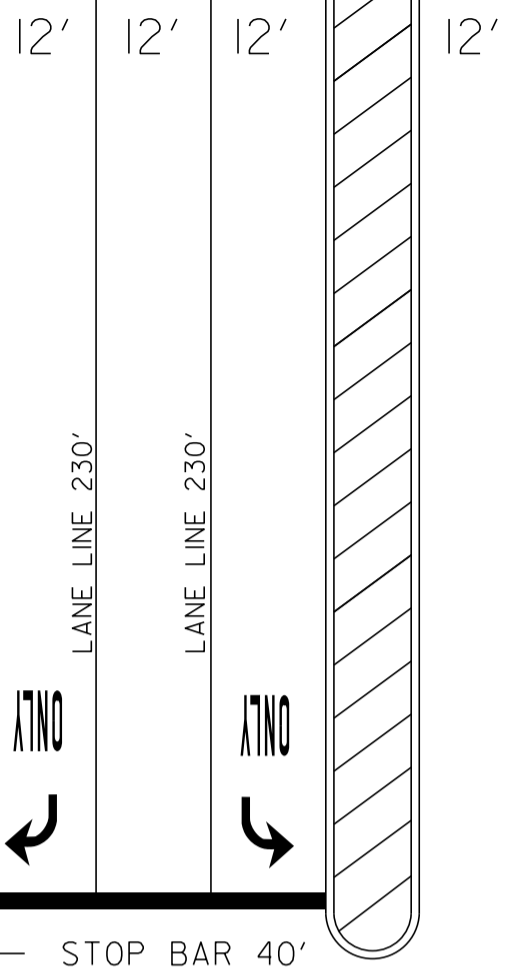


MS # 562



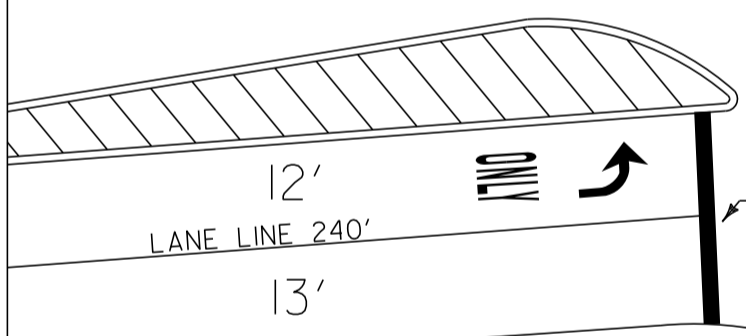
VT 2A NORTH

SUSIE WILSON ROAD

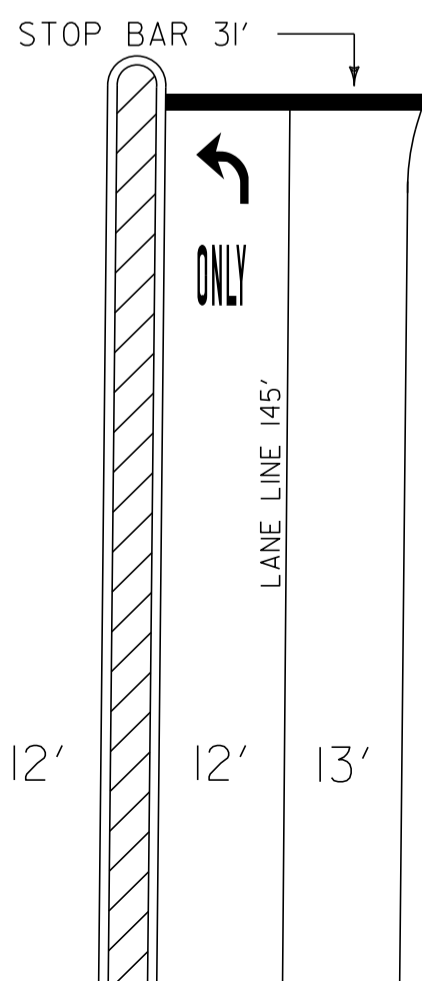


24'

17'



VT 289 EAST ON RAMP



VT 2A SOUTH

NOT TO SCALE