

**NORTHERN ARCHITECTS**  
 207 KING STREET  
 SUITE 3  
 BURLINGTON, VERMONT  
 05401-4502  
 802-658-1953

CONSULTANTS  
 CIVIL  
 KREBS AND LANSING  
 10 Main Street  
 Colchester VT 05446  
 (802)-878-0375  
 LANDSCAPE ARCHITECT  
**OHKW**  
 OFFICE OF H. KEITH WAGNER  
 T. Marble, Ave.  
 Burlington VT 05401  
 (802)-864-0010  
 STRUCTURAL  
 RICHARD M. DOHERTY, P.E.  
 117 St. Paul Street  
 Burlington VT 05401  
 (802)-660-4212  
 PLUMBING, MECHANICAL,  
 AND ELECTRICAL  
 DUFRESNE-HENRY  
 Precision Park  
 North Springfield VT 05150-0024  
 (802)-886-2261

REVISIONS

PROJECT

**DERBY WELCOME CENTER**  
 PROJECT #IM 091-3(8)

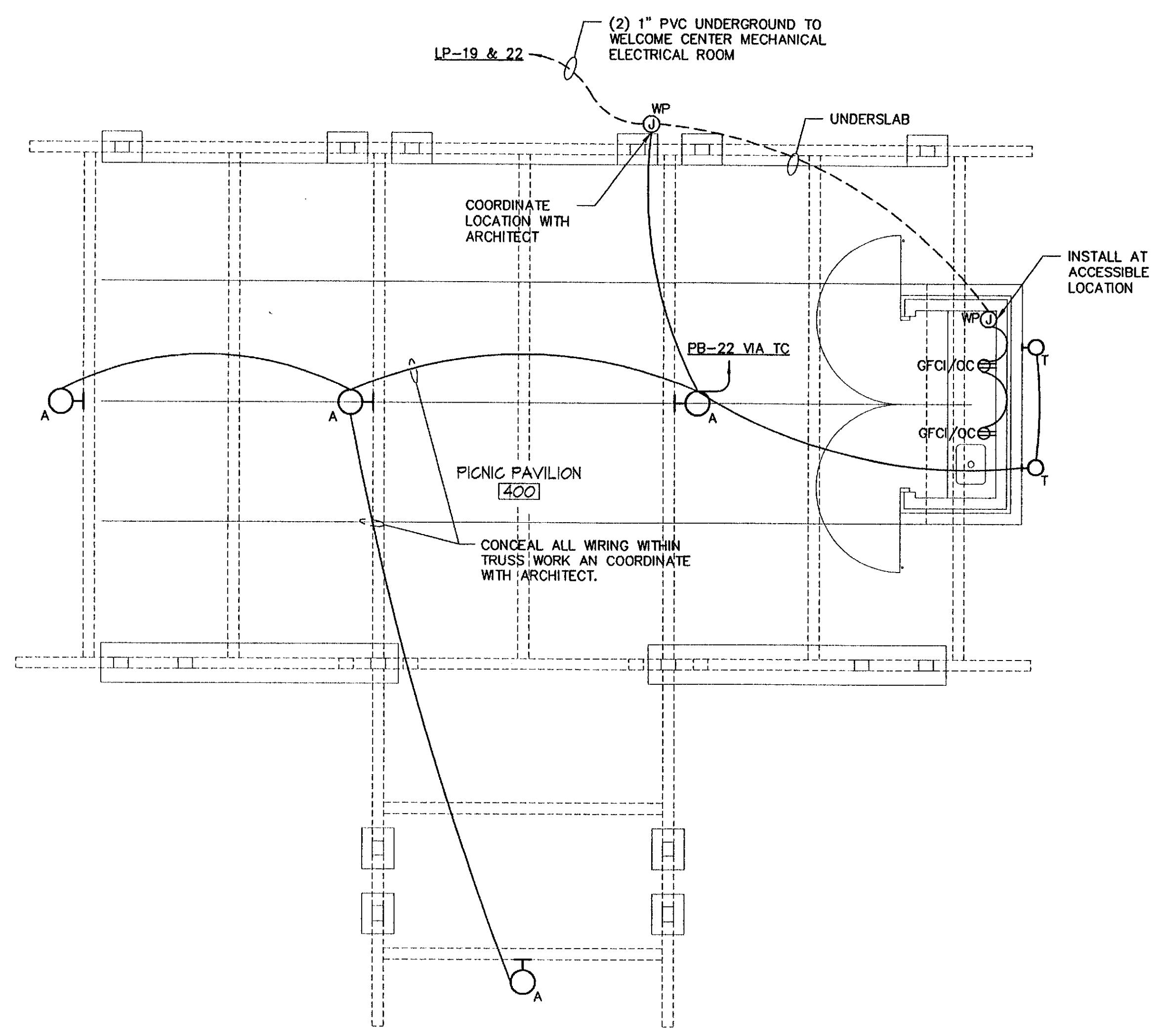
NEW FACILITY

DERBY VERMONT

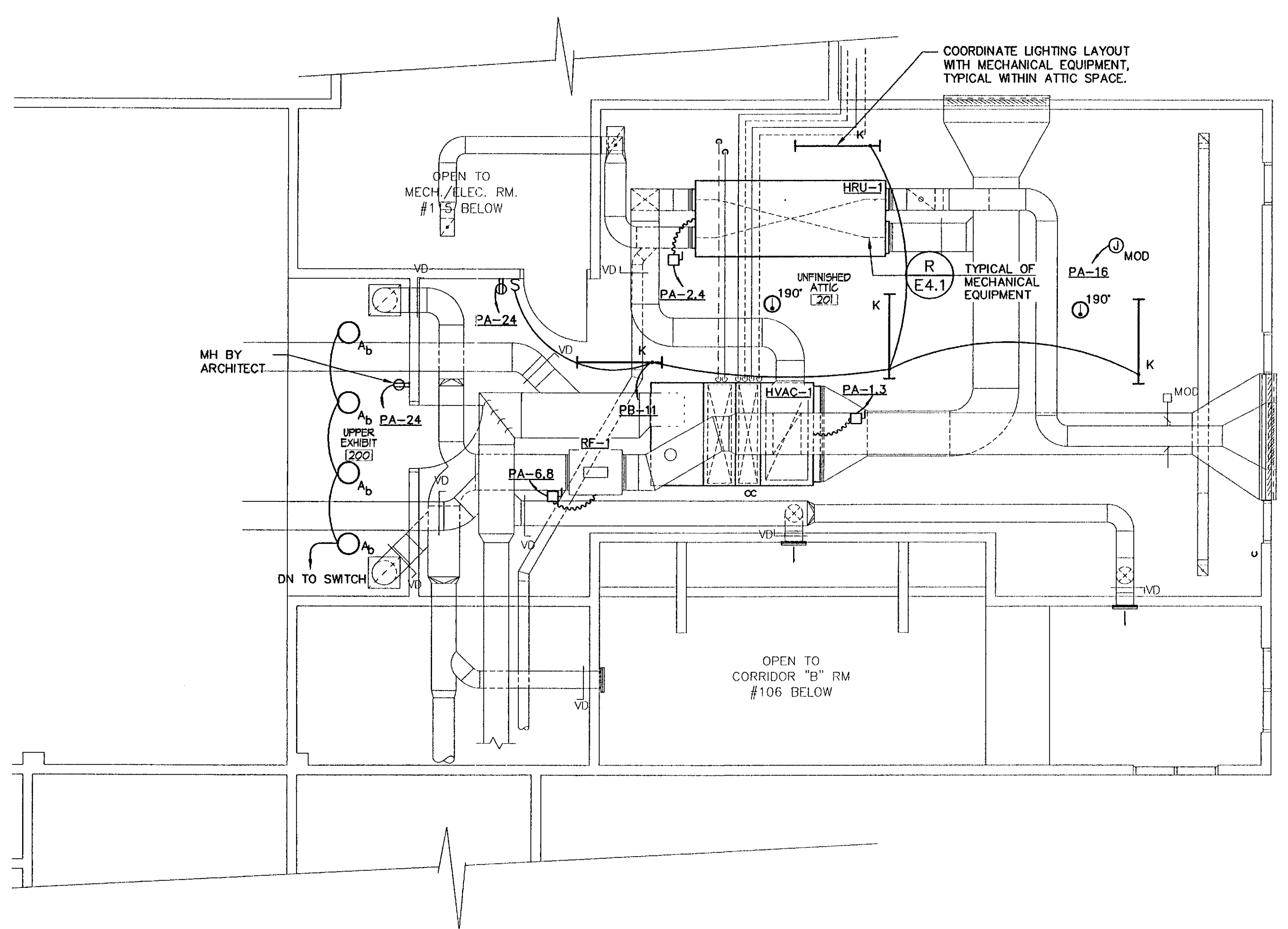
DATE: 01/07/02  
 SCALE: AS SHOWN  
 CHECKED:  
 PROJECT NO: 2003

UNFINISHED ATTIC  
 LTG/PWR  
 /FA PLAN &  
 SPECIAL SYS  
 DIAGRAMS

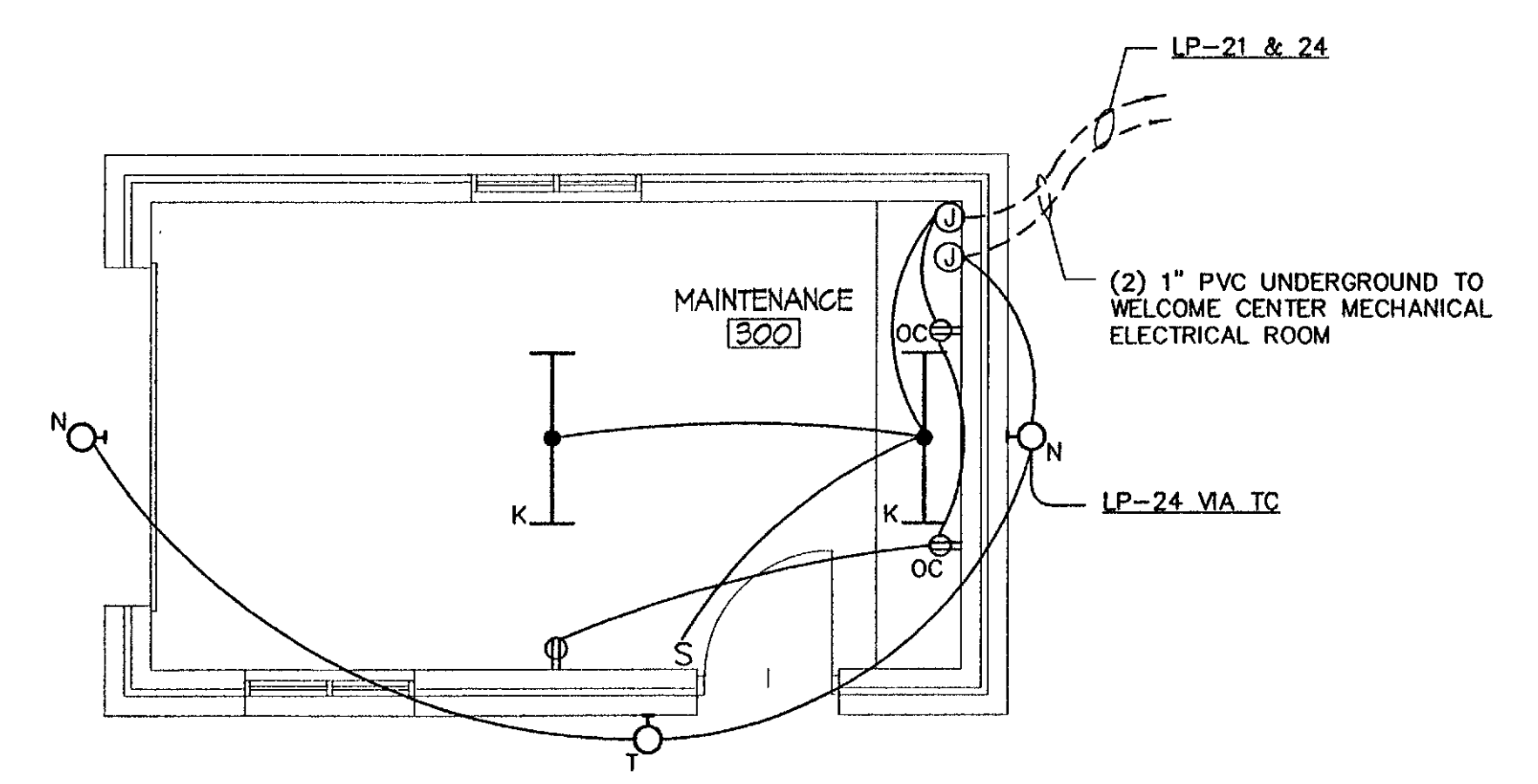
**E3.1**



**PICNIC PAVILION -**  
**LIGHTING, POWER, TELEPHONE AND FIRE ALARM PLAN**  
 SCALE = 1/4" = 1'-0"



**UNFINISHED ATTIC -**  
**LIGHTING, POWER, TELEPHONE AND FIRE ALARM PLAN**  
 SCALE = 1/4" = 1'-0"



**MAINTENANCE BUILDING -**  
**LIGHTING, POWER, TELEPHONE AND FIRE ALARM PLAN**  
 SCALE = 1/4" = 1'-0"