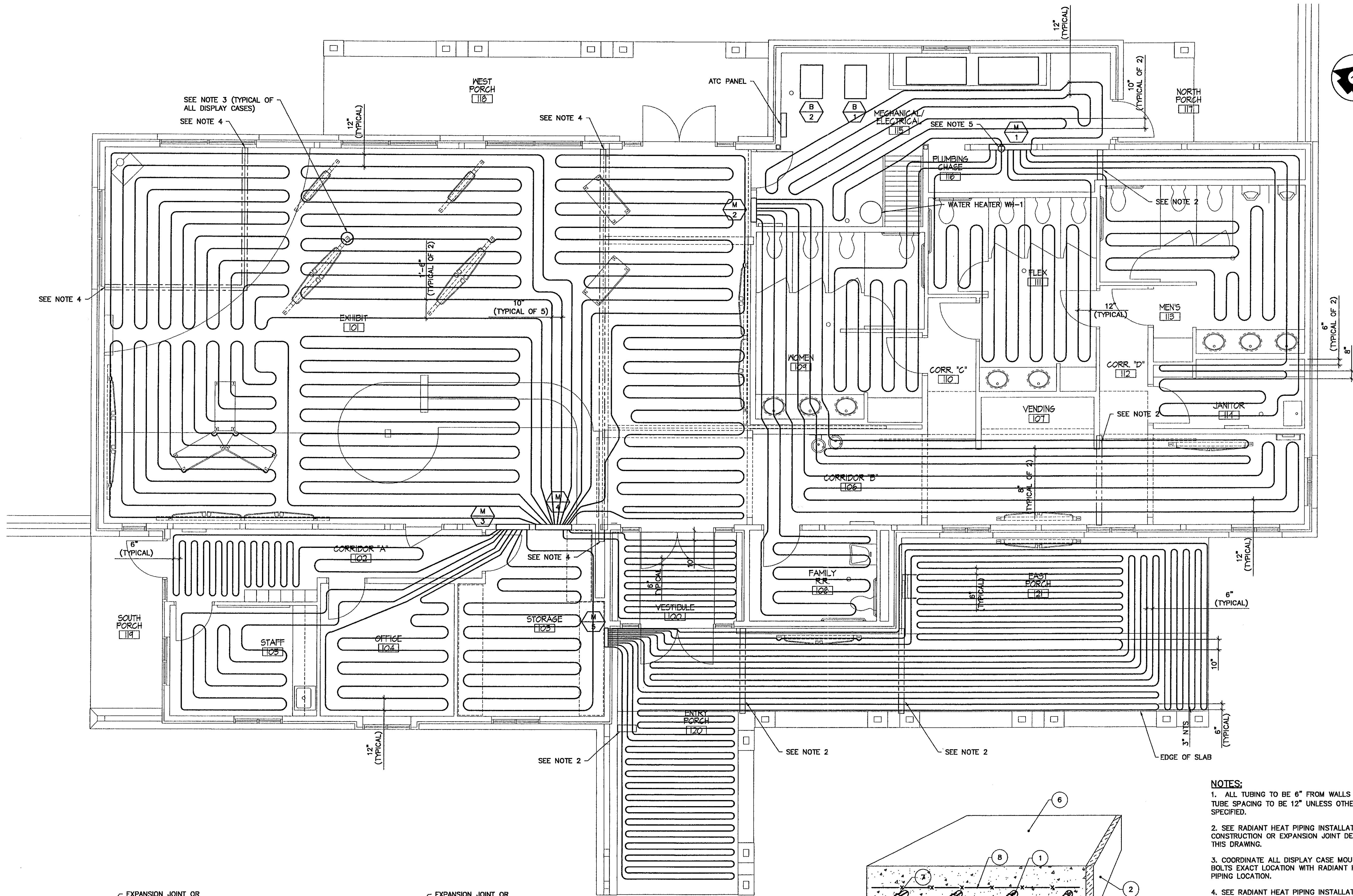


N:\VERMONT - STATE OF DERBY WELCOME CENTER\MECH\M3.1-RR.DWG 1-4-02 2:09:25 pm EST



NORTHERN ARCHITECTS
 207 KING STREET
 SUITE 3
 BURLINGTON, VERMONT
 05401-4502
 802-658-1953

CONSULTANTS
 CIVIL
 KREBS AND LANSING
 10 Main Street
 Colchester VT 05446
 (802)-878-0975
 LANDSCAPE ARCHITECT
OHKW
 OFFICE OF P. A. KEITH WAGNER
 7 Marble Ave.
 Burlington VT 05401
 (802)-864-0010
 STRUCTURAL
 RICHARD M. DOHERTY, P.E.
 117 St. Paul Street
 Burlington VT 05401
 (802)-660-4212
 PLUMBING, MECHANICAL
 AND ELECTRICAL
 DUFRESNE-HENRY
 Precision Park
 North Springfield VT 05150-0029
 (802)-886-2261

REVISIONS

PROJECT
DERBY WELCOME CENTER
 PROJECT #M 091-3(8)

NEW FACILITY

DERBY VERMONT

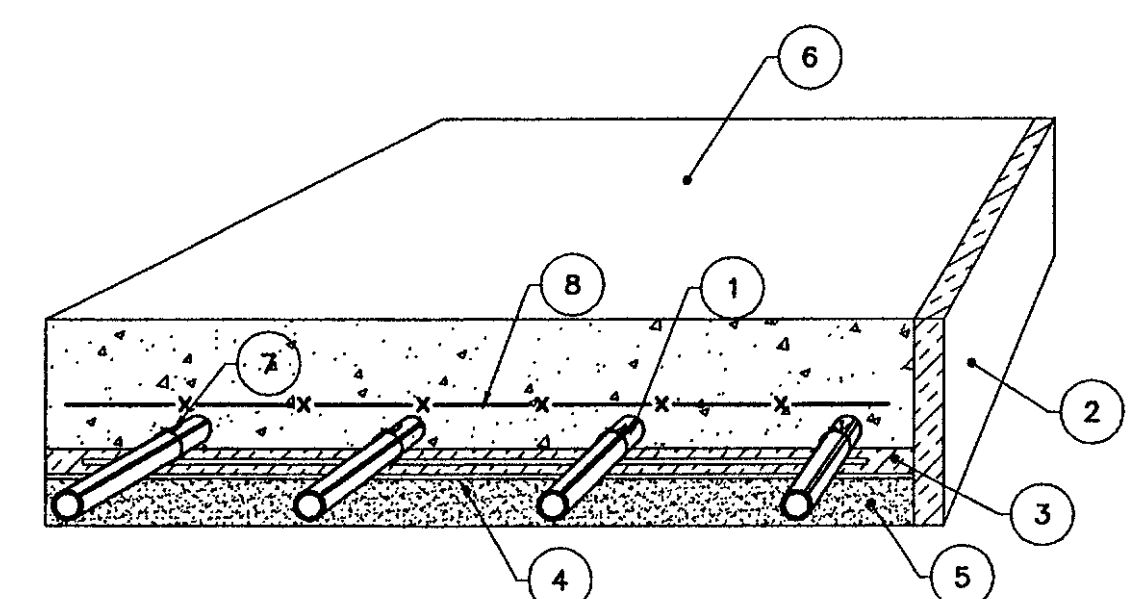
DATE: 01/07/02
 SCALE: AS NOTED
 CHECKED:
 PROJECT NO: 2003

RADIANT HEAT PIPING PLAN

M3.1

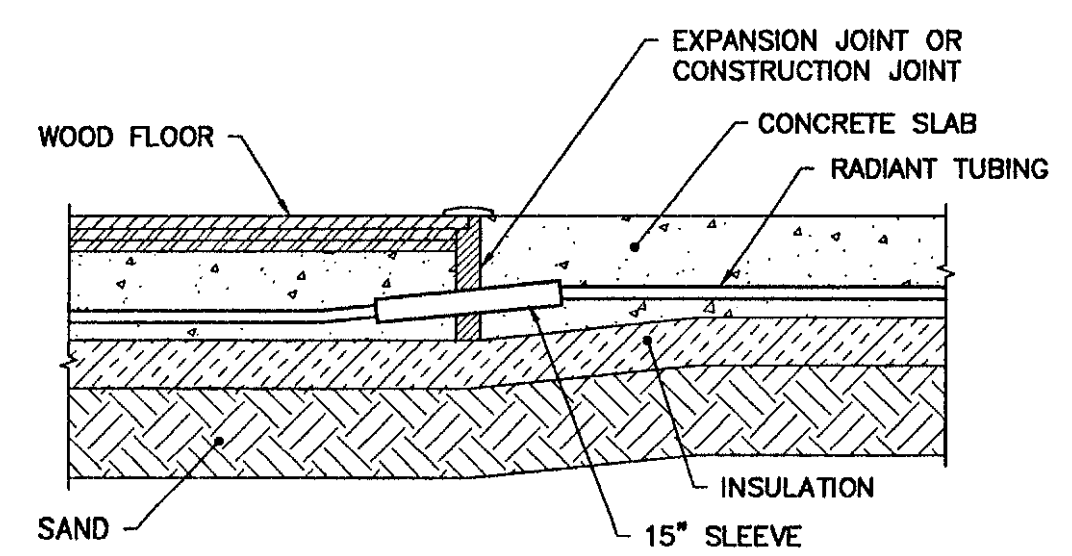
- NOTES:**
1. ALL TUBING TO BE 6" FROM WALLS, ALL TUBE SPACING TO BE 12" UNLESS OTHERWISE SPECIFIED.
 2. SEE RADIANT HEAT PIPING INSTALLATION AT CONSTRUCTION OR EXPANSION JOINT DETAIL ON THIS DRAWING.
 3. COORDINATE ALL DISPLAY CASE MOUNTING BOLTS EXACT LOCATION WITH RADIANT HEAT PIPING LOCATION.
 4. SEE RADIANT HEAT PIPING INSTALLATION AT DEPRESSED SLAB DETAIL ON THIS DRAWING.
 5. INSTALL TELESTAT ON FLEX 111 AND MECHANICAL 115 LOOPS.

RADIANT HEAT PIPING PLAN
 SCALE: 1/4"=1'-0"

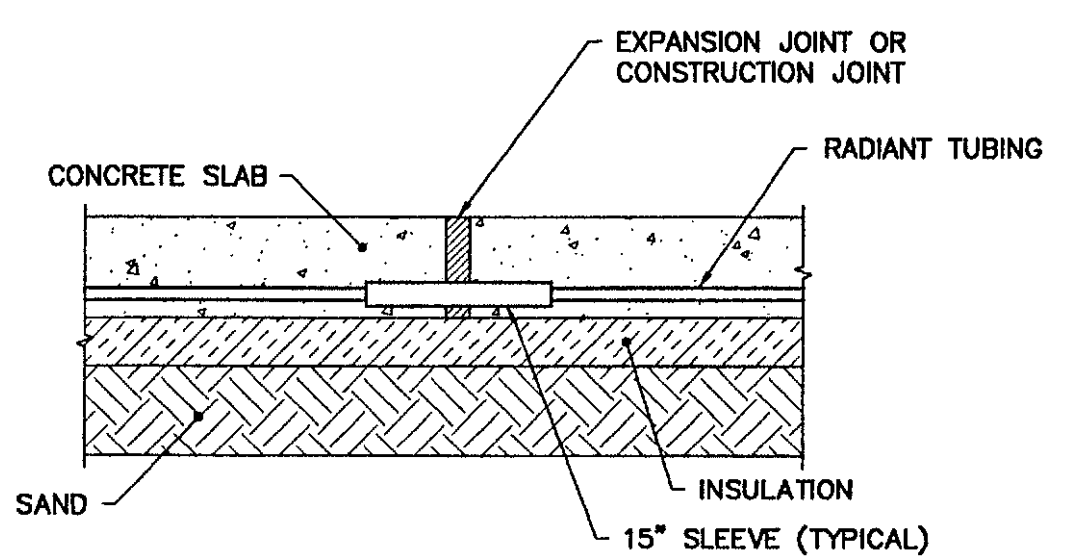


- | | |
|-------------------------|--------------------------------|
| 1 HEPEX TUBING | 5 SAND |
| 2 EDGE INSULATION | 6 CONCRETE |
| 3 UNDER SLAB INSULATION | 7 STAPLE OR CLIP TO INSULATION |
| 4 VAPOR BARRIER | 8 REINFORCING |

RADIANT HEATING PIPING INSTALLATION DETAIL
 NOT TO SCALE



RADIANT HEAT PIPING INSTALLATION AT DEPRESSED SLAB
 NOT TO SCALE



RADIANT HEAT PIPING INSTALLATION AT CONSTRUCTION OR EXPANSION JOINT
 NOT TO SCALE