

PLUMBING SPECIFICATIONS

FD-A FLOOR DRAIN: ZURN MODEL ZB-415-Y OR EQUAL, 5" TYPE "B" STRAINER, DURA-COATED CAST IRON BODY, 3" OUTLET, POLISHED BRONZE TOP, HEAVY DUTY DRAIN. PROVIDE WITH SEDIMENT BUCKET.

FPBH FREEZE-PROOF HOSE BIBB: WOODFORD MODEL 65C. VACUUM BREAKER/BACKFLOW PREVENTER, 3/4" INLET, POLISHED BRASS FINISH ON BRASS CASTINGS. LOOSE TEE KEY TO BE FURNISHED WITH EACH UNIT. SEE ARCHITECTURAL PLANS FOR WALL THICKNESS. SEE MANUFACTURER'S RECOMMENDATIONS FOR INSTALLATION. PROVIDE ACCESS PANELS WHERE SHOWN ON PLAN.

HB HOSE BIBB: WOODFORD MODEL 24C - 3/4 INCH. ALL BRASS WITH VACUUM BREAKER-BACKFLOW PREVENTER, 3/4" THREADED HOSE OUTLET, LOOSE TEE KEY TO BE FURNISHED WITH EACH UNIT.

MV-1 MIXING VALVE: SLOAN MODEL MIX-70-A THERMOSTATIC MIXING VALVE FOR MULTIPLE FAUCETS, HIGH TEMPERATURE LIMIT STOP, COMBINATION CHECKSTOPS ON INLETS, 1/2" INLET & OUTLET, 0.5 GPM MINIMUM FLOW.

P-1 WATER CLOSET: AMERICAN STANDARD AFWALL MODEL 2257.103 ELONGATED FLUSH VALVE TOILET. 1.6 GALLONS PER FLUSH, WHITE VITREOUS CHINA WITH SIPHON JET FLUSHING ACTION, 1-1/2" BRASS TOP SPUD. PROVIDE WITH SLOAN OPTIMA 111 ES-2 LOW CONSUMPTION, SENSOR OPERATED FLUSH VALVE, ZURN SERIES Z-1200 CARRIER AND OLSONITE #95 OPEN FRONT SEAT LESS COVER.

P-1H WATER CLOSET (ADA): AMERICAN STANDARD AFWALL MODEL 2257.103 ELONGATED FLUSH VALVE TOILET. 1.6 GALLONS PER FLUSH, WHITE VITREOUS CHINA WITH SIPHON JET FLUSHING ACTION, 1-1/2" BRASS TOP SPUD. PROVIDE WITH SLOAN OPTIMA 111 ES-2 LOW CONSUMPTION, SENSOR OPERATED FLUSH VALVE, ZURN SERIES Z-1200 CARRIER AND OLSONITE #95 OPEN FRONT SEAT LESS COVER. MOUNT WITH RIM OF BOWL AT 17" AFF FOR ADA COMPLIANCE.

P-2 URINAL: AMERICAN STANDARD WASHBROOK MODEL 6501.010 WALL HUNG URINAL. WHITE VITREOUS CHINA, SIPHON JET URINAL WITH FLUSHING RIM, 1.0 GPF, 3/4" TOP INLET SPUD. PROVIDE WITH SLOAN OPTIMA 180-1 ES-S LOW CONSUMPTION, SENSOR OPERATED FLUSH VALVE. MOUNT WITH RIM 17" AFF FOR ADA COMPLIANCE.

P-3H LAVATORY (ADA): CORIAN UNDERMOUNT BOWL, MODEL 810 A/S, 16 7/16"x13"x5 1/4" DEEP, COLOR BY ARCHITECT. PROVIDE SLOAN OPTIMA MODEL ETF-600-B ELECTRONIC HAND WASHING FAUCET, 4" CENTERS, 0.5 GPM AERATOR. PROVIDE WITH GRID DRAIN, TAIL PIECE, P-TRAP WITH CLEANOUT, FLEXIBLE SUPPLIES, ANGLE STOPS WITH ESCUTCHEONS, AND TRUEBRO LAV GUARD INSULATION KIT FOR TRAP, DRAIN, H & CW SUPPLIES.

P-4H LAVATORY (ADA): AMERICAN STANDARD LUCERNE MODEL 0355.012 WALL HUNG LAVATORY, CONCEALED ARM SUPPORT, 4" CENTERS, 20 1/2"x18", WHITE VITREOUS CHINA WITH FAUCET LEDGE. PROVIDE SLOAN OPTIMA MODEL ETF-600-B ELECTRONIC HAND WASHING FAUCET, 4" CENTERS, 0.5 GPM AERATOR. PROVIDE WITH GRID DRAIN, ZURN SERIES Z-1200 CONCEALED ARM CARRIER, TAIL PIECE, P-TRAP WITH CLEANOUT, FLEXIBLE SUPPLIES, ANGLE STOPS WITH ESCUTCHEONS AND TRUEBRO LAV GUARD INSULATION KIT FOR TRAP, DRAIN, H & CW SUPPLIES.

P-5 DRINKING FOUNTAIN (ADA): DRINKING FOUNTAIN: HAWS MODEL 1119 HI LO DRINKING FOUNTAIN, ADA COMPLIANT. SATIN FINISH STAINLESS STEEL, TWO BASINS WITH PERFORATED DOME STRAINER AND FRONT PUSH-BUTTONS. PROVIDE COLD WATER SUPPLY WITH STOP AND P-TRAP.

P-6 SERVICE SINK: FIAT MODEL MSB-2424, MOLDED STONE, FLOOR MOUNTED, 24 x 24" x 10" HIGH, FACTORY INSTALLED DRAIN BODY, DOME STRAINER/LINT BASKET. PROVIDE SERVICE FAUCET #B30-AA, STAINLESS STEEL WALL GUARD, VINYL BUMPER GUARD, HOSE AND HOSE BRACKET, AND MOP HANGER.

P-7 SINK: ELKAY MODEL LR-2219 SINGLE BOWL TYPE 302 STAINLESS STEEL SINK, SELF-RIMMING, 22"x19 1/2"x7 1/2" DEEP, 4 HOLE REAR LEDGE. PROVIDE WITH DELTA MODEL 400 WASHERLESS SINGLE HANDLE KITCHEN DECK FAUCET WITH 8" CENTERS, SPRAY ATTACHMENT, CHROME FINISH. PROVIDE WITH FLEXIBLE SUPPLIES, ANGLE STOPS WITH ESCUTCHEONS, ELKAY LK-35 STANDARD DUO STRAINER, CAST BRASS P-TRAP WITH CLEANOUT.

P-8 SINK (PAVILION): ELKAY CUSTOM COUNTERTOP WITH INTEGRAL SINK, 24" WIDE x 7'-10" LONG WITH MODEL LR-2222 SINGLE BOWL TYPE 302 STAINLESS STEEL SINK, LEDGE TYPE 19"x16"x7 1/2" DEEP BOWL, 4 HOLE PUNCH FOR SINK FITTING. CONTRACTOR TO VERIFY DIMENSIONS PRIOR TO ORDERING. PROVIDE WITH DELTA MODEL 400 WASHERLESS SINGLE HANDLE KITCHEN DECK FAUCET WITH 8" CENTERS, CONNECT COLD WATER TO BOTH HOT & COLD WATER INLETS, CHROME PLATED FINISH, FLEXIBLE SUPPLY TO YARD HYDRANT YH-1 UNDER COUNTER, ELKAY LK-35 STANDARD DUO STRAINER.

P-9H WATER CLOSET (ADA): AMERICAN STANDARD MADERA 16-1/8" UNIVERSAL HEIGHT EL 1.6 ELONGATED FLUSH VALVE WATER CLOSET, #2305.100, VITREOUS CHINA, 1 1/2" TOP SPUD, 10" ROUGH IN, 2 BOLT CAPS. PROVIDE WITH WATER SAVING SLOAN ROYAL #111 FLUSH VALVE, 1.6 GPF, SUPPLY WITH STOP AND OLSONITE #95 OPEN FRONT SEAT LESS COVER.

TP-1 TRAP PRIMER: PRECISION PLUMBING PRODUCTS MODEL P-2 AUTOMATIC TRAP PRIMER WITH DISTRIBUTION UNIT FOR 1 OR 2 DRAINS.

YH-1 YARD HYDRANT: ZURN MODEL Z-1395-5 NON-FREEZE YARD HYDRANT, LIFT HANDLE WITH LOCK OPTION, 6 FT BURIAL DEPTH AND 3/4" ADAPTER VACUUM BREAKER.

WH-1 WATER HEATER: WEIL-MCLAIN GOLD PLUS 30. INDIRECT FIRED, 30 GALLON TANK, 230 GPH RECOVERY AT 115° RISE, STAINLESS STEEL INNER TANK, 2" RIGID INSULATION, LIMITED LIFETIME WARRANTY, T&P RELIEF VALVE.

WH-2 WATER HEATER: BRADFORD WHITE M-1-6U10SS, 6 GALLON TANK, 7 GPH RECOVERY AT 90° RISE, ONE 1,500 WATT ELEMENT, 240V/1Ø/60 HZ. 10 YEAR LIMITED WARRANTY. R-8 FOAM INSULATED, GLASS LINED TANK, MAGNESIUM ANODE ROD, T&P RELIEF VALVE.

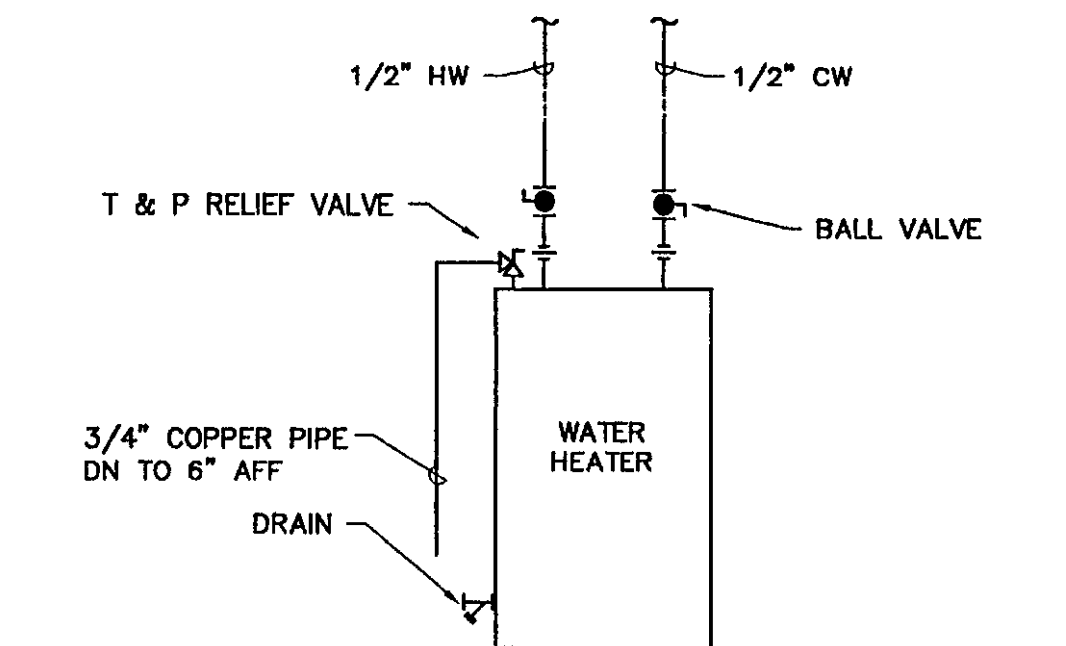
ITEM	FIXTURE	SUP	TRP	MINIMUM BRANCH SIZE				REMARKS
				WASTE	VENT	COLD	HOT	
FPBH	FREEZE PROOF HOSE BIBB	3/4"	---	---	---	3/4"	---	
P-1	WATER CLOSET	1"	---	3"	2"	1 1/2"	---	
P-1H	WATER CLOSET (ADA)	1"	---	3"	2"	1 1/2"	---	
P-2	URINAL	3/4"	---	2"	1 1/2"	3/4"	---	
P-3H	LAVATORY	1/2"	1 1/4"	2"	1 1/2"	1/2"	1/2"	
P-4H	LAVATORY (ADA)	1/2"	1 1/4"	2"	1 1/2"	1/2"	1/2"	
P-5	DRINKING FOUNTAIN	1/2"	1 1/4"	2"	1 1/2"	1/2"	---	
P-6	SERVICE SINK	1/2"	2"	3"	1 1/2"	1/2"	1/2"	
P-7	SINK	1/2"	1 1/2"	2"	1 1/2"	1/2"	1/2"	
P-8	SINK	1/2"	---	2"	---	1/2"	---	PIPE WASTE TO DRY WELL
P-9	WATER CLOSET (ADA)	1"	---	3"	2"	1 1/2"	---	

SERVICE	SIZE	TEST PSI	PIPE		FITTINGS		REMARKS
			TYPE	SCHEDULE	TYPE	SCHEDULE	
WASTE & VENT BELOW GRADE	ALL	CODE	CINH	SW	CINH	SW	
WASTE & VENT ABOVE GRADE	ALL	CODE	PVC	40	PVC	40	
DOMESTIC HW, CW & HWR ABOVE GRADE	ALL	200	CUL	STD	CUS	STD	
DOMESTIC HW, CW & HWR BELOW GRADE	ALL	200	CUK	STD	CUK	STD	
CONDENSATE DRAIN	ALL	CODE	PVC	40	PVC	40	

SERVICE	SIZE	GATE	TYPE				REMARKS
			GLOBE	CHECK	BALL	PLUG	
DOMESTIC HW, CW & HWR	ALL	GVT	GLVT	CVT	BVT	---	

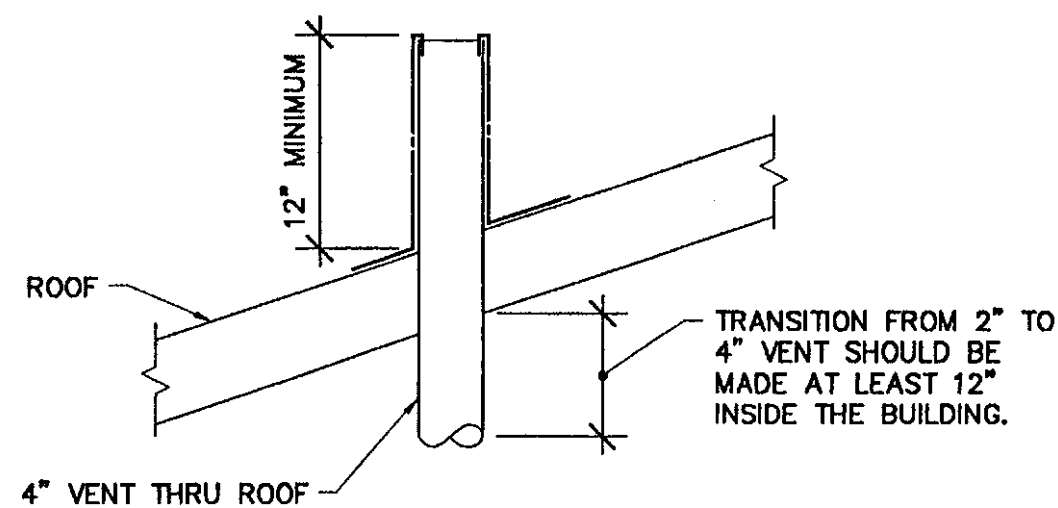
SERVICE	SIZE	TYPE	THICKNESS	REMARKS
VENTS	ALL	H51	1"	EXPOSED DRAIN, TRAP, H & CW PIPING UNDER LAVATORY
LAVATORY (ADA)	ALL	H7	---	NOT INSULATED
CONDENSATE DRAIN	ALL	---	---	NOT INSULATED

- NOTES:
- SEE SPECIFICATIONS FOR PIPE, FITTINGS, VALVES & INSULATION TYPES.
 - ALL DRAINS, SUCH AS T&P AND BACKFLOW PREVENTERS, SHALL HAVE ENDS CUT AT 45 DEGREES.



ELECTRIC WATER HEATER WH-2 DETAIL

NOT TO SCALE



PLUMBING VENT TERMINAL DETAIL

NO SCALE

ABBREVIATIONS	
ALL ABBREVIATIONS SHOWN MAY NOT APPLY	
AFF	ABOVE FINISHED FLOOR
CO	CLEANOUT
CW	COLD WATER
DN	DOWN
FCO	FLOOR CLEANOUT
FD	FLOOR DRAIN
FPBH	FROST PROOF HOSEBIBB
FPWH	FROST PROOF WALL HYDRANT
HB	HOSE BIBB
HW	HOT WATER
HWC	HOT WATER CIRCULATION
NH	NO-HUB
PRV	PRESSURE REDUCING VALVE
RV	PRESSURE RELIEF VALVE
S	SOIL
V	VENT
VTR	VENT THROUGH ROOF
W	WASTE
WCO	WALL CLEANOUT
ASR	AUTOMATIC SPRINKLER RISER

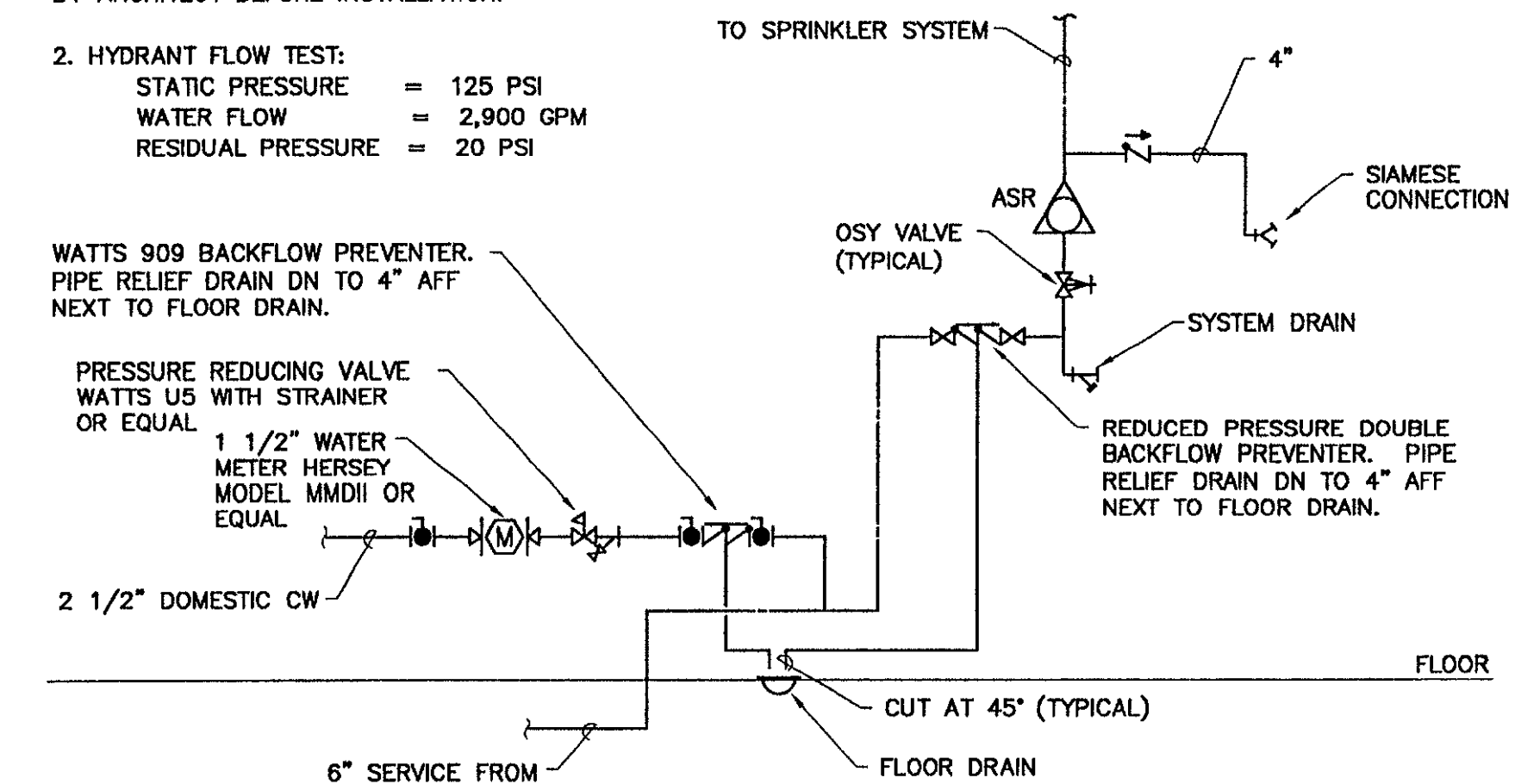
PLUMBING LEGEND

SYMBOLS

---	SOIL AND WASTE
----	VENT
----	COLD WATER
----	HOT WATER
----	HOT WATER CIRCULATION
○	PIPE RISE
○	PIPE DROP
○	BOTTOM TAKE-OFF
○	FLOOR CLEANOUT
○	CLEANOUT
○	WALL CLEANOUT
○	P-TRAP
○	FLOOR DRAIN
■	WATER HAMMER ARRESTER
→	DIRECTION OF FLOW
↔	REDUCER
↔	CAP OR PLUG
↔	UNION (SCREWED)
↔	GATE VALVE
↔	BALL VALVE
↔	GLOBE VALVE
↔	CHECK VALVE
↔	PRESSURE REDUCING VALVE
↔	TEMPERATURE/PRESSURE RELIEF VALVE
↔	STRAINER
↔	BACKFLOW PREVENTER
↔	WATER METER
↔	CIRCULATOR PUMP
↔	PRESSURE SWITCH

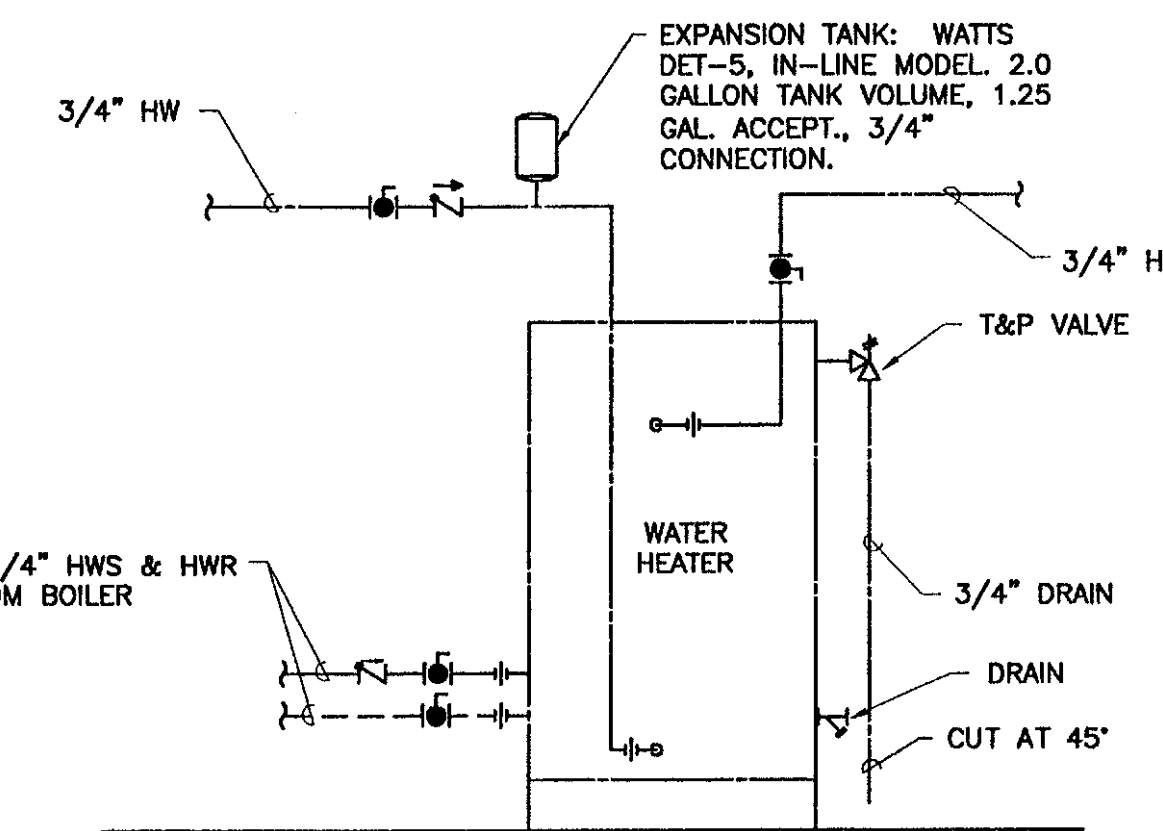
NOTES:

- ALL ROUTING OF SPRINKLER SYSTEM IN AREAS WITH EXPOSED WOOD TRUSSES, BOTH INTERIOR AND EXTERIOR TO BE REVIEWED AND APPROVED BY ARCHITECT BEFORE INSTALLATION.
- HYDRANT FLOW TEST:
 STATIC PRESSURE = 125 PSI
 WATER FLOW = 2,900 GPM
 RESIDUAL PRESSURE = 20 PSI



SPRINKLER CONNECTION SCHEMATIC

NOT TO SCALE



WATER HEATER WH-1 DETAIL

NOT TO SCALE



NORTHERN ARCHITECTS

207 KING STREET
 SUITE 3
 BURLINGTON, VERMONT
 05401-4502
 802-658-1953

CONSULTANTS

CIVIL
 KREBS AND LANSING
 10 Main Street
 Colchester VT 05446
 (802)-878-0375

LANDSCAPE ARCHITECT



OFFICE OF H. KEITH MADSEN
 7 Marble Ave.
 Burlington VT 05401
 (802)-864-0010

STRUCTURAL

RICHARD M. DOHERTY, P.E.
 117 St. Paul Street
 Burlington VT 05401
 (802)-660-4212

PLUMBING, MECHANICAL AND ELECTRICAL

DUPRESNE-HENRY
 Precision Park
 North Springfield VT 05150-0024
 (802)-886-2261

REVISIONS

PROJECT

DERBY WELCOME CENTER
 PROJECT #1M 091-3(8)

NEW FACILITY

DERBY VERMONT

DATE: 01/01/02

SCALE: AS NOTED

CHECKED:

PROJECT NO: 2003

PLUMBING LEGEND, SCHEDULES & DETAILS