

NORTHERN ARCHITECTS
 207 KING STREET
 SUITE 3
 BURLINGTON, VERMONT
 05401-4502
 802-658-1953

CONSULTANTS
 CIVIL
 KREBS AND LANSING
 10 Main Street
 Colchester VT 05446
 (802)-878-0575
 LANDSCAPE ARCHITECT
OHKW
 7 Marble Ave.
 Burlington VT 05401
 (802)-864-0010
 STRUCTURAL
 RICHARD M. DOWERY, P.E.
 171 St. Paul Street
 Burlington VT 05401
 (802)-860-9212
 PLUMBING, MECHANICAL,
 AND ELECTRICAL
 DUPRESNE AND HENRY
 Precision Park
 North Springfield VT 05150-0024
 (802)-886-2261

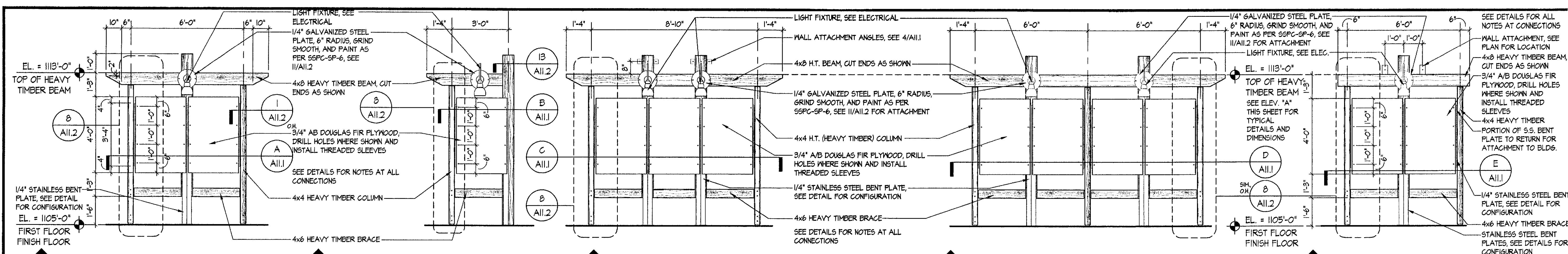
REVISIONS

PROJECT
DERBY WELCOME CENTER
 PROJECT #1M 091-3(8)
 NEW FACILITY
 DERBY VERMONT

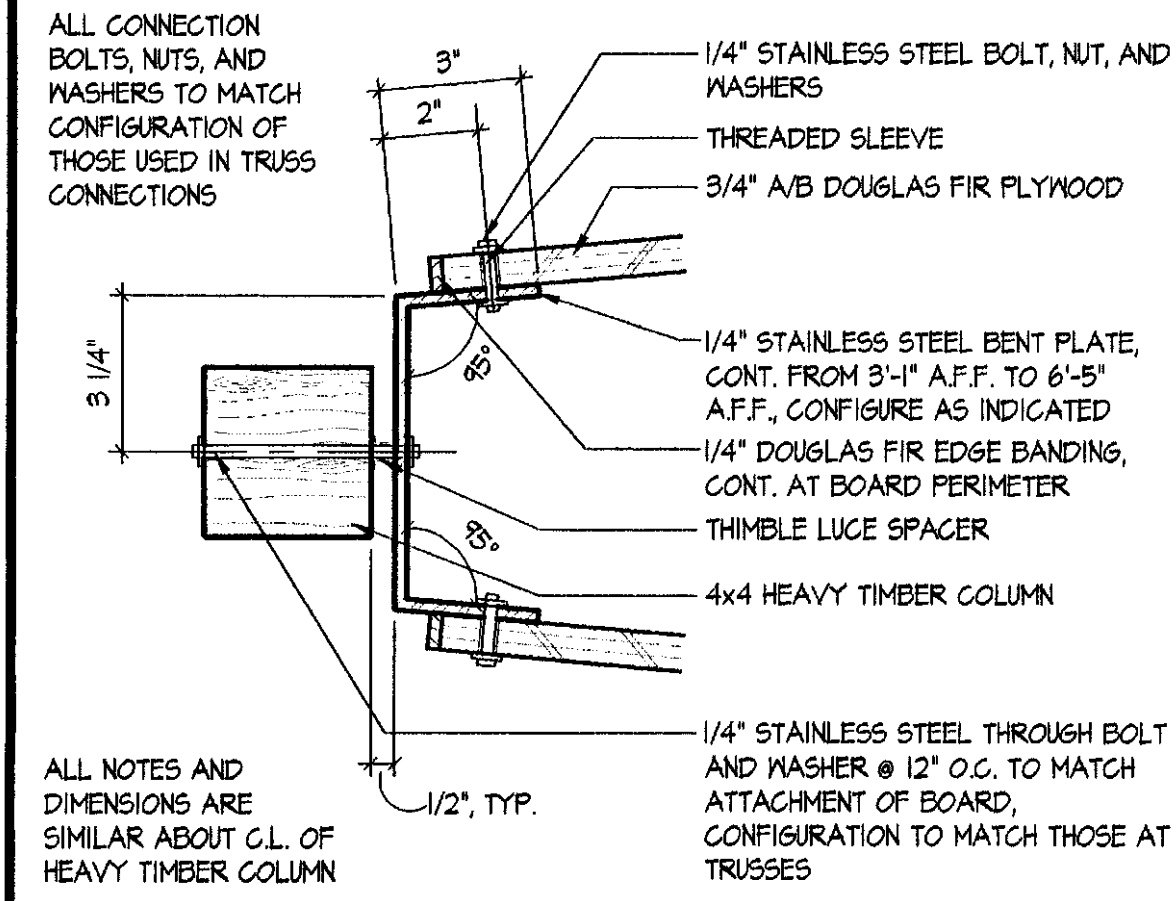
DATE: 01/07/2002
 SCALE: 1/4" = 1'-0"
 CHECKED: HS
 PROJECT NO: 2003

ELEVATIONS AND DETAILS - TOURS AND DETOURS DISPLAYS

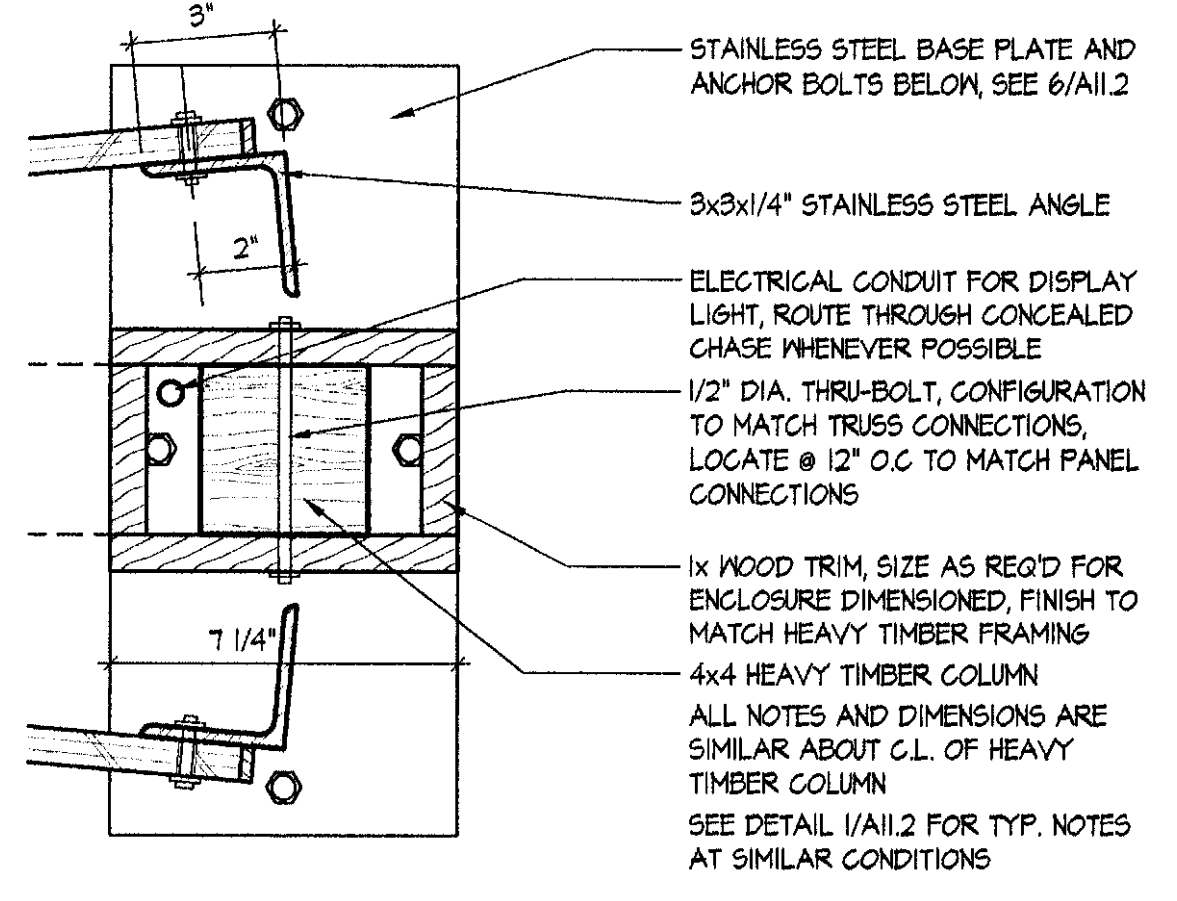
A11.2



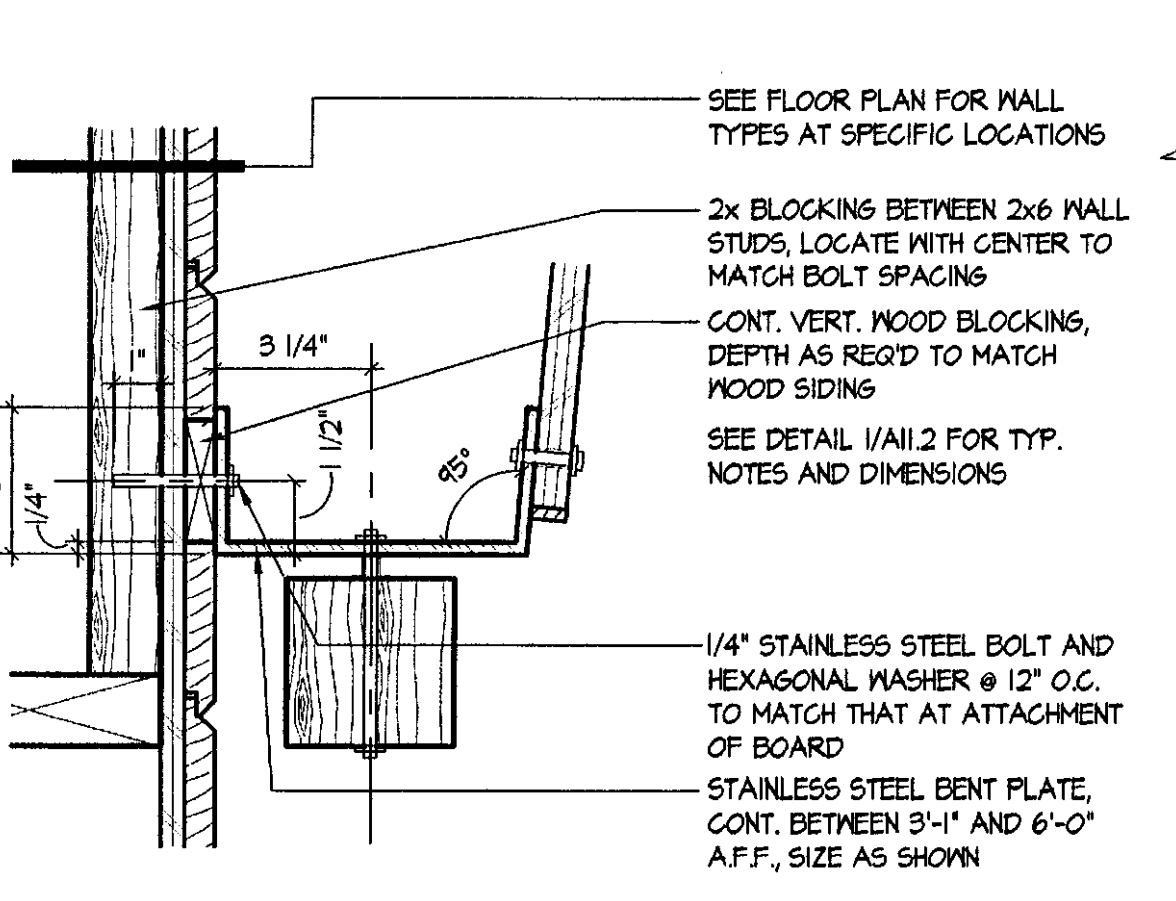
A DISPLAY TYPE "A" ELEVATION SCALE: 3/8" = 1'-0" 2003_ELEV-TD01
B DISPLAY TYPE "B" ELEVATION SCALE: 3/8" = 1'-0" 2003_ELEV-TD01
C DISPLAY TYPE "C" ELEVATION SCALE: 3/8" = 1'-0" 2003_ELEV-TD01
D DISPLAY TYPE "D" ELEVATION SCALE: 3/8" = 1'-0" 2003_ELEV-TD01
E DISPLAY TYPE "E" ELEVATION SCALE: 3/8" = 1'-0" 2003_ELEV-TD01



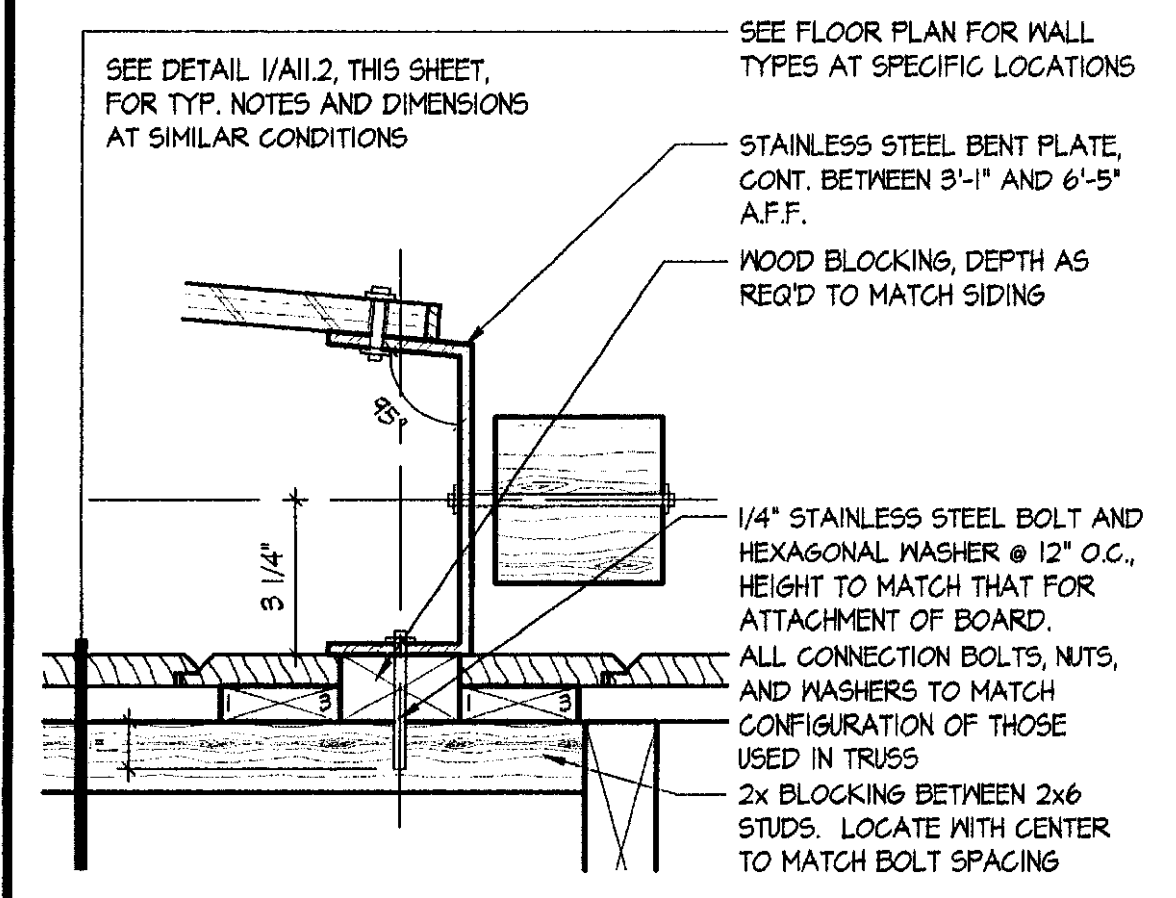
1 DISPLAY CONNECTION DETAIL SCALE: 3" = 1'-0" 2003_DTL-TD02



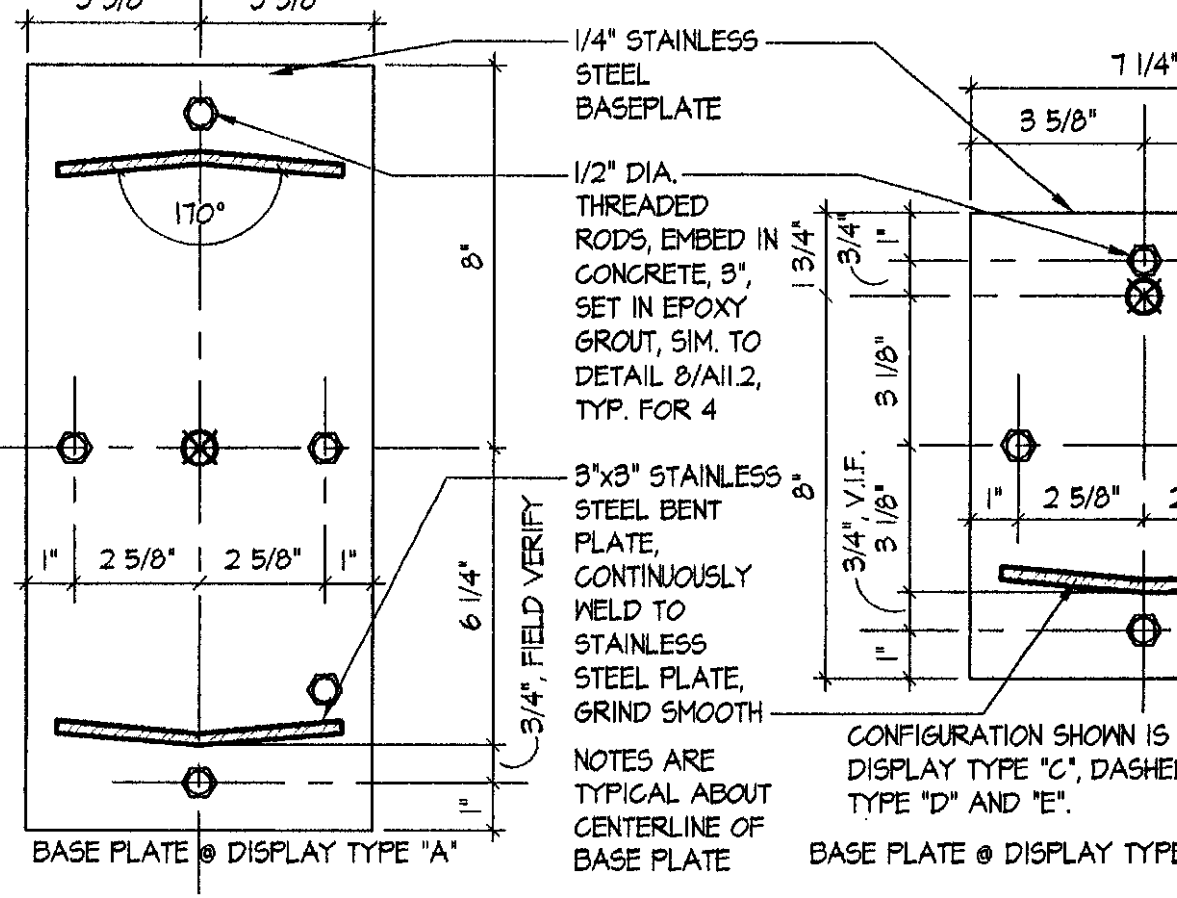
2 DISPLAY CONNECTION DETAIL SCALE: 3" = 1'-0" 2003_DTL-TD02



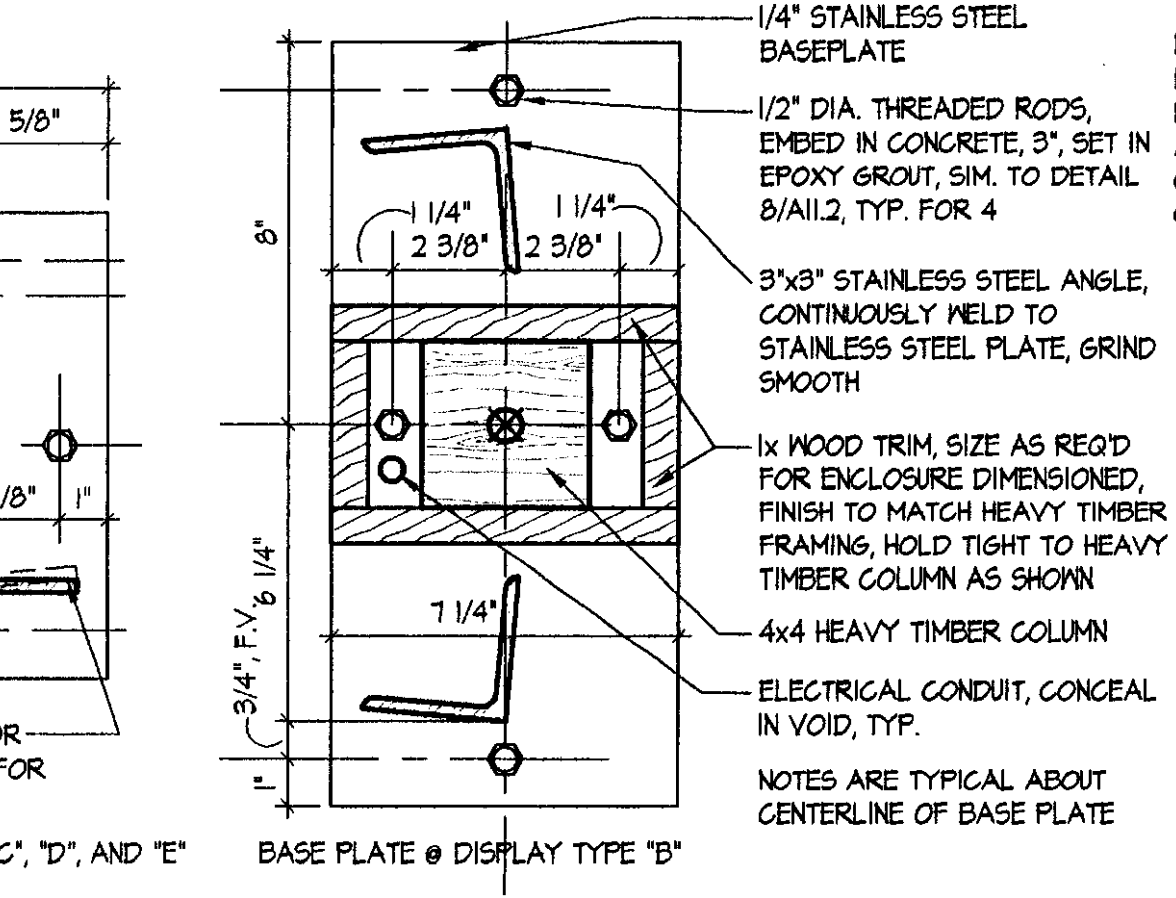
3 DISPLAY/WALL CONNECTION SCALE: 3" = 1'-0" 2003_DTL-TD02



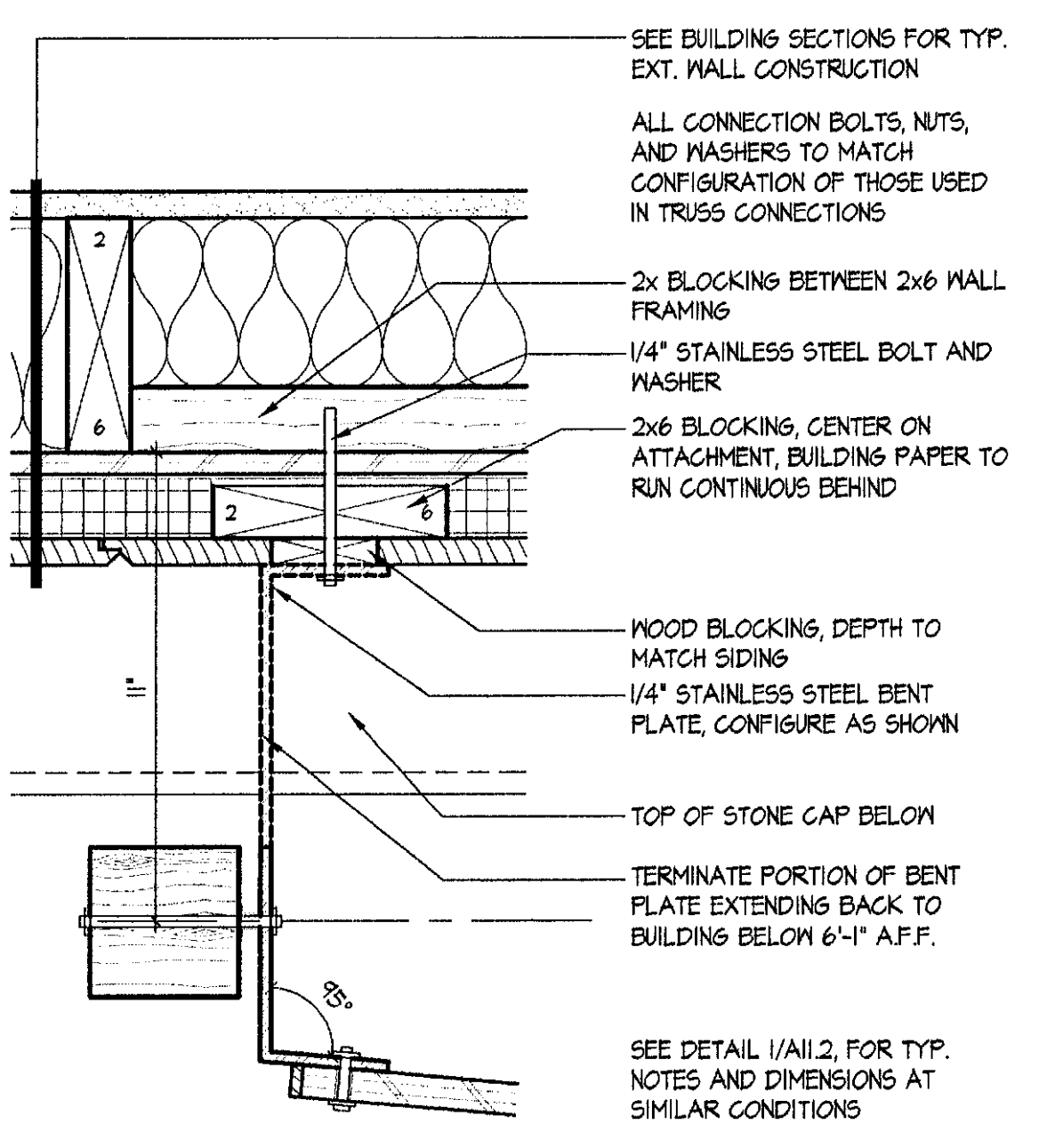
5 DISPLAY/WALL CONNECTION SCALE: 3" = 1'-0" 2003_DTL-TD02



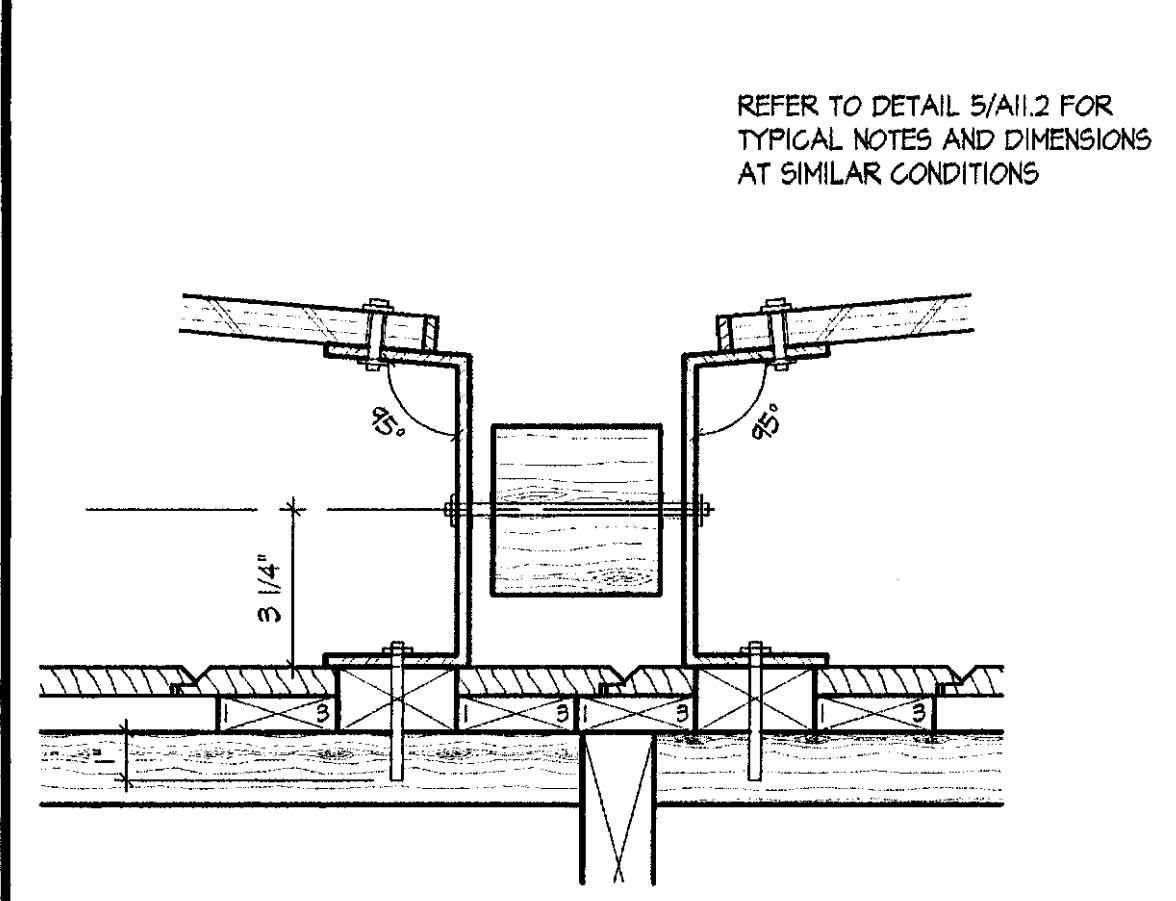
6 BASE PLATE DETAILS SCALE: 3" = 1'-0" 2003_DTL-TD02



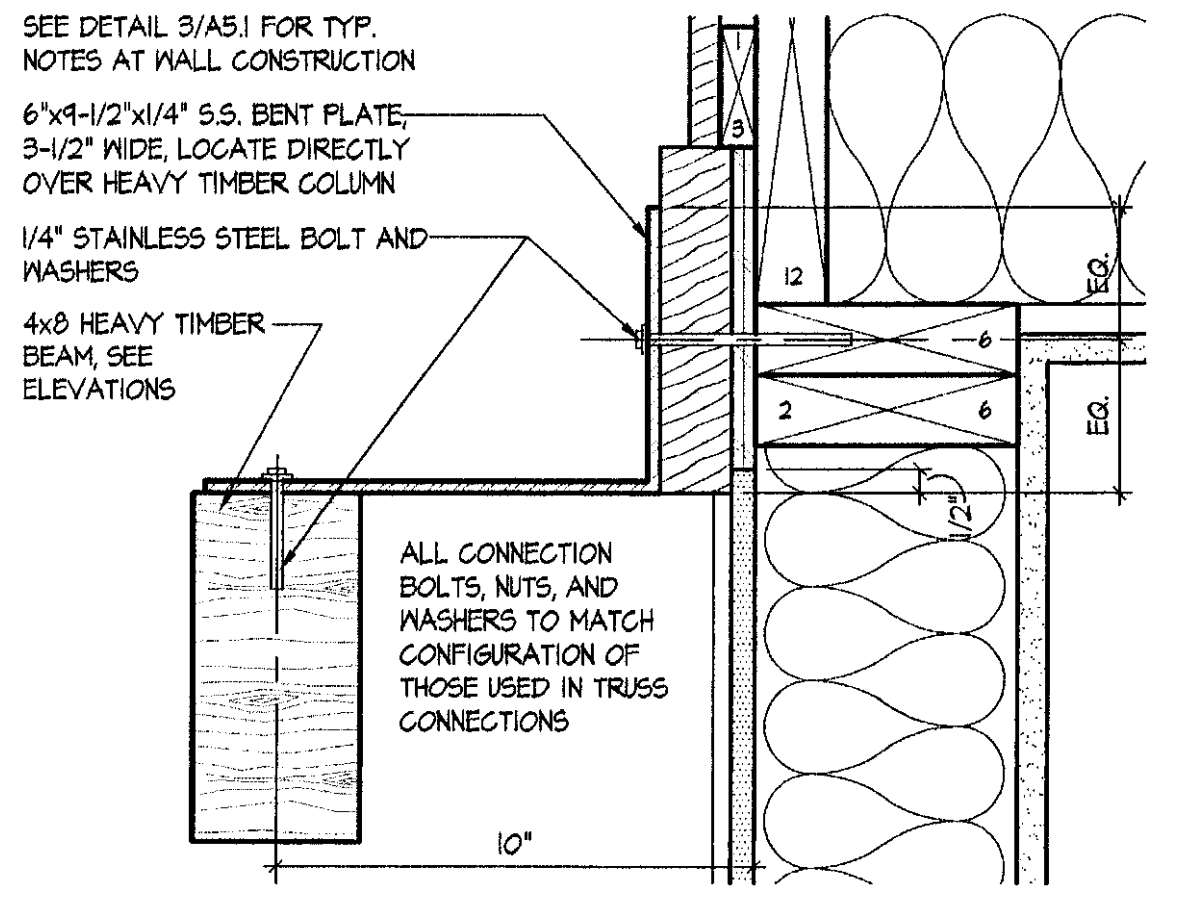
8 SECTION @ DISPLAY CONNECTIONS SCALE: 3" = 1'-0" 2003_DTL-TD02



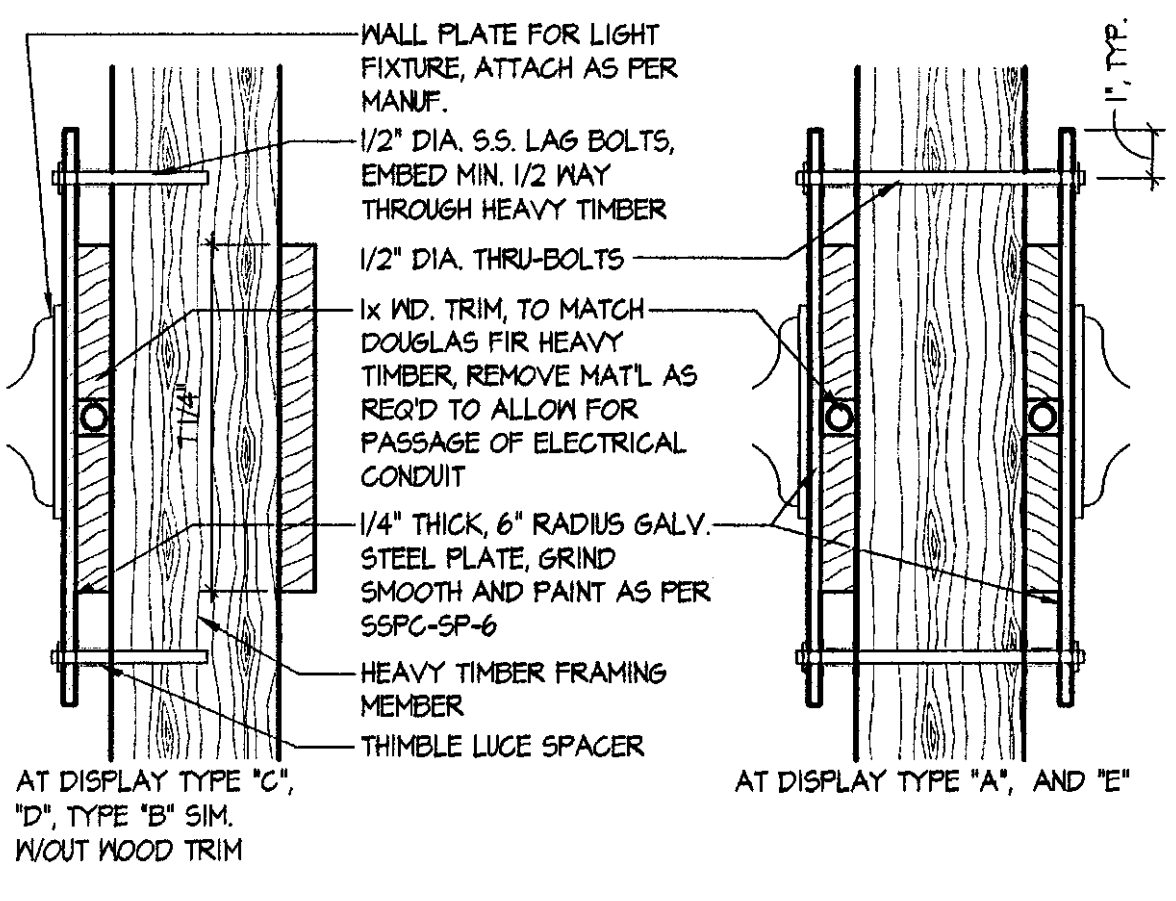
4 EXTERIOR DISPLAY CONNECTION SCALE: 3" = 1'-0" 2003_DTL-TD02



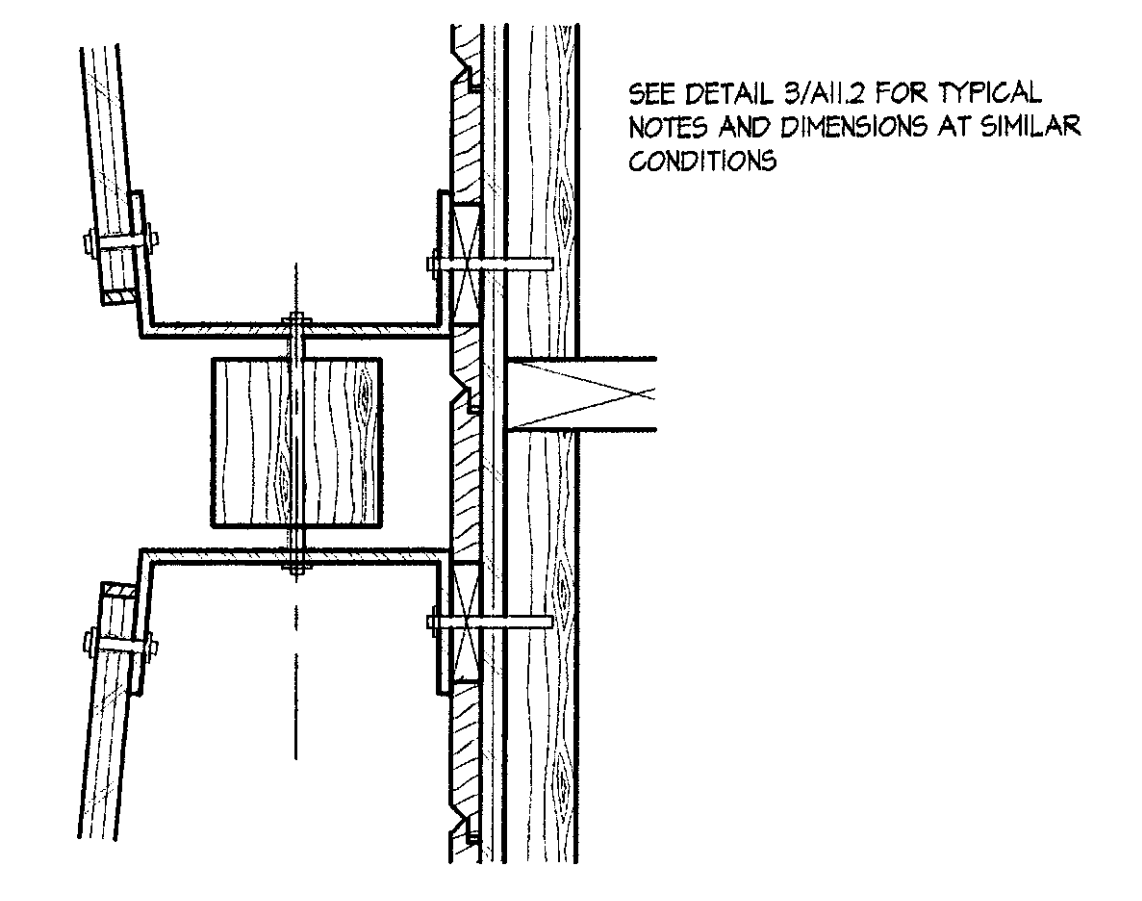
9 DISPLAY/WALL CONNECTION SCALE: 3" = 1'-0" 2003_DTL-TD02



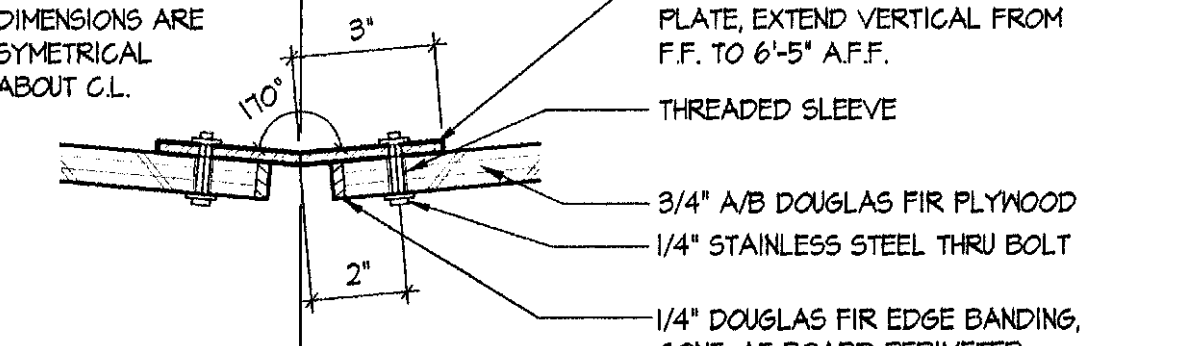
10 DISPLAY/WALL CONNECTION SCALE: 3" = 1'-0" 2003_DTL-TD02



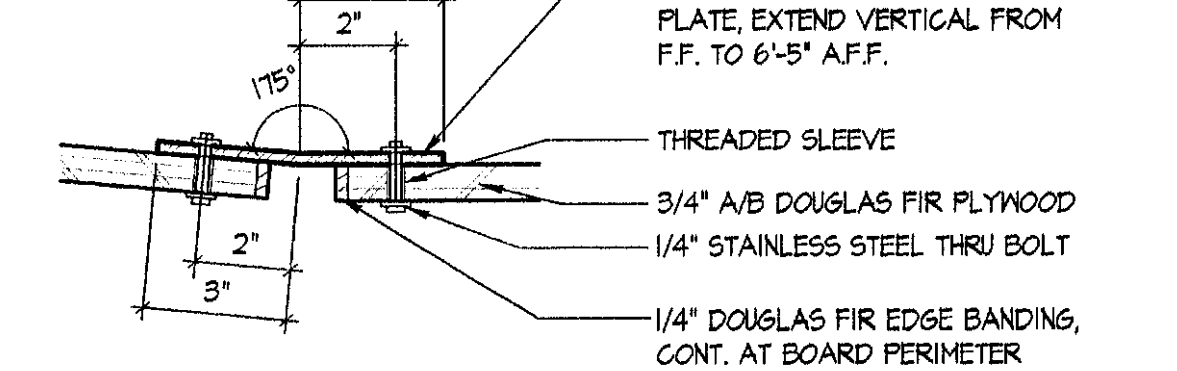
11 PLATE ATTACHMENT DETAIL SCALE: 3" = 1'-0" 2003_DTL-TD02



12 DISPLAY/WALL CONNECTION SCALE: 3" = 1'-0" 2003_DTL-TD02



13 DISPLAY DETAIL SCALE: 3" = 1'-0" 2003_DTL-TD02



14 DISPLAY DETAIL SCALE: 3" = 1'-0" 2003_DTL-TD02

© NORTHERN ARCHITECTS INC. ALL RIGHTS RESERVED 2002