



NORTHERN ARCHITECTS

207 KING STREET
SUITE 3
BURLINGTON, VERMONT
05401-4502
802-658-1953

CONSULTANTS
CIVIL
KREBS AND LANSING
10 Main Street
Colchester VT 05446
(802)-678-0375
LANDSCAPE ARCHITECT
OHKW
1 Marble Ave.
Burlington VT 05401
(802)-664-0010
STRUCTURAL
RICHARD M. DOHERTY, P.E.
117 St. Paul Street
Burlington VT 05401
(802)-660-4212
PLUMBING, MECHANICAL
AND ELECTRICAL
DUFRESNE AND HENRY
Precision Park
North Springfield VT 05150-0024
(802)-886-2261

REVISIONS

PROJECT

DERBY WELCOME CENTER

PROJECT #101 091-31(8)

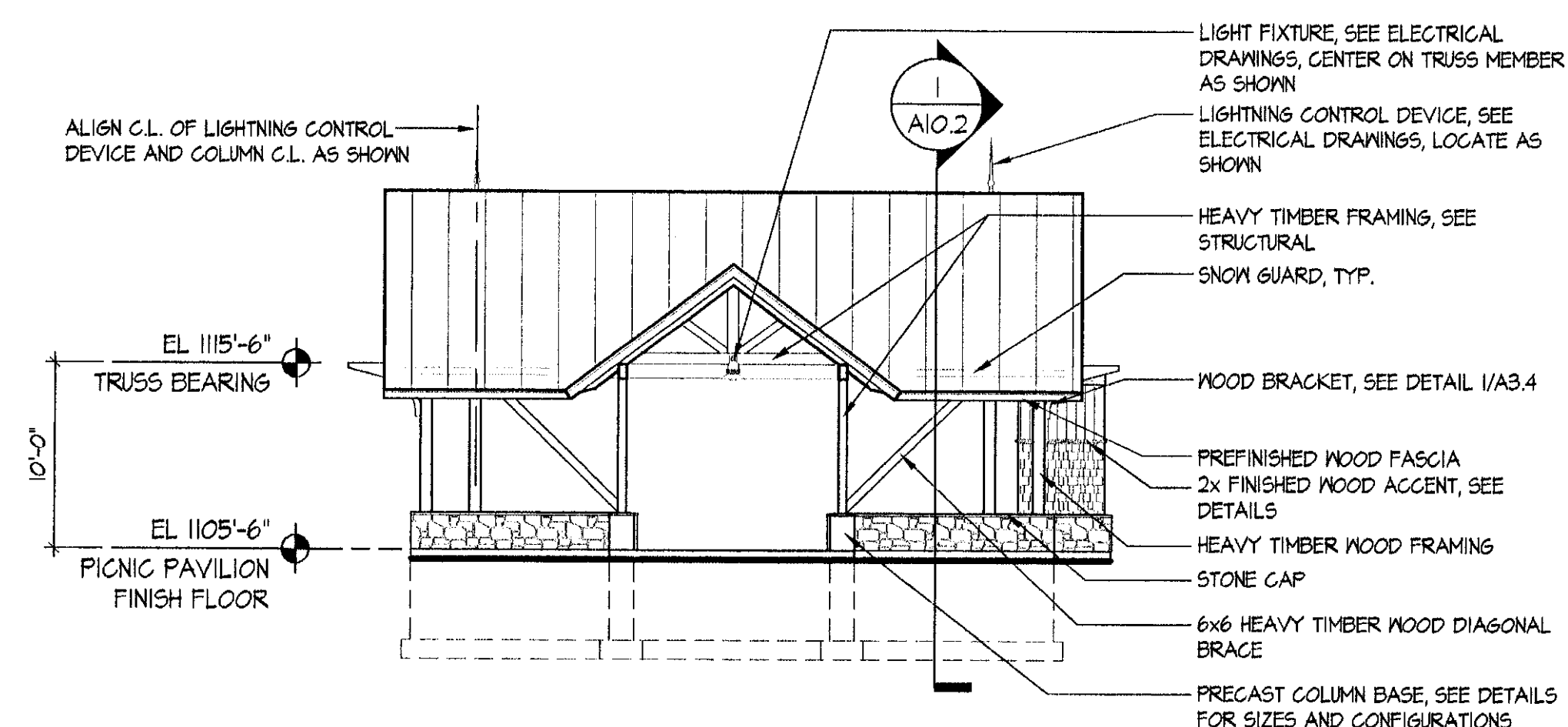
NEW FACILITY

DERBY VERMONT

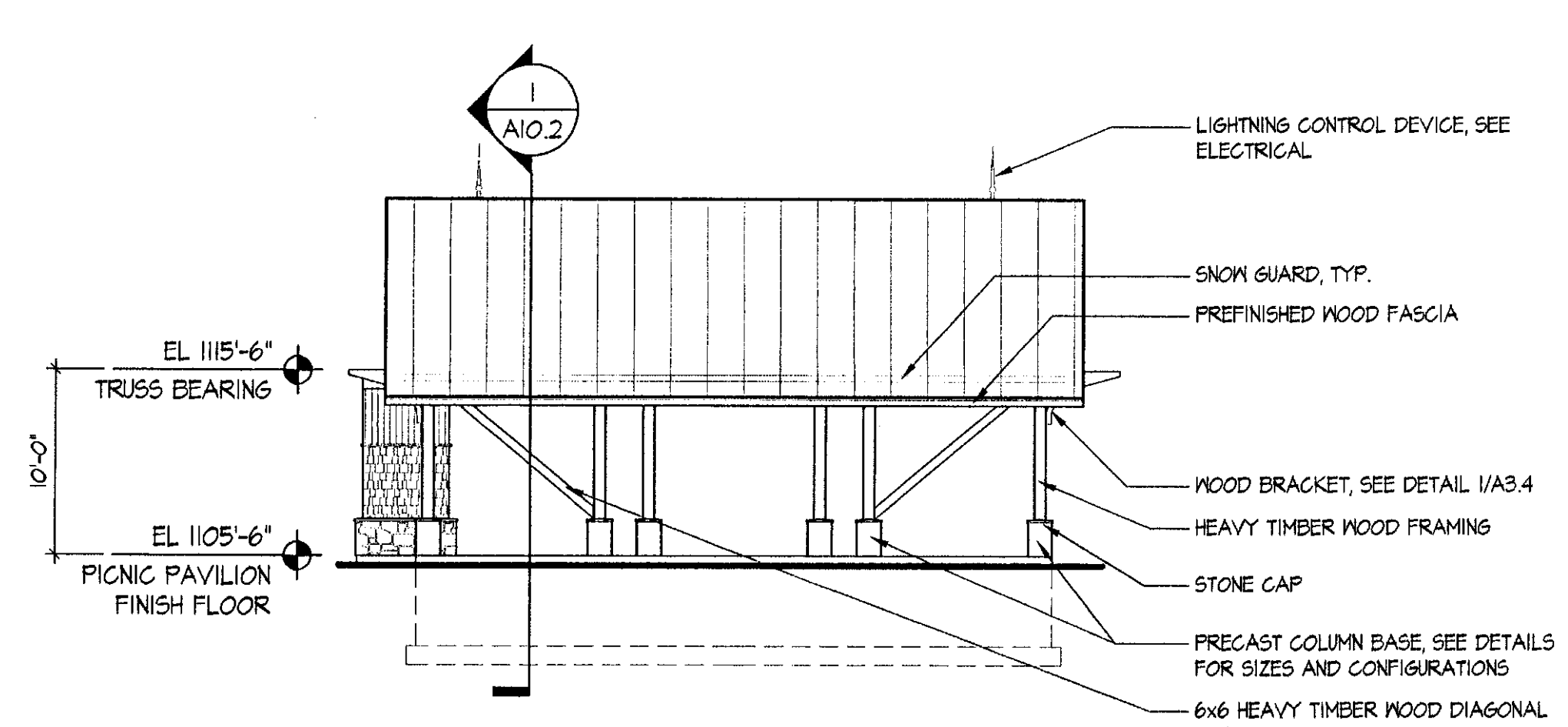
DATE: 01/01/2002
SCALE: AS NOTED
CHECKED: HS
PROJECT NO: 2009

PICNIC PAVILION ELEVATIONS, AND SECTIONS

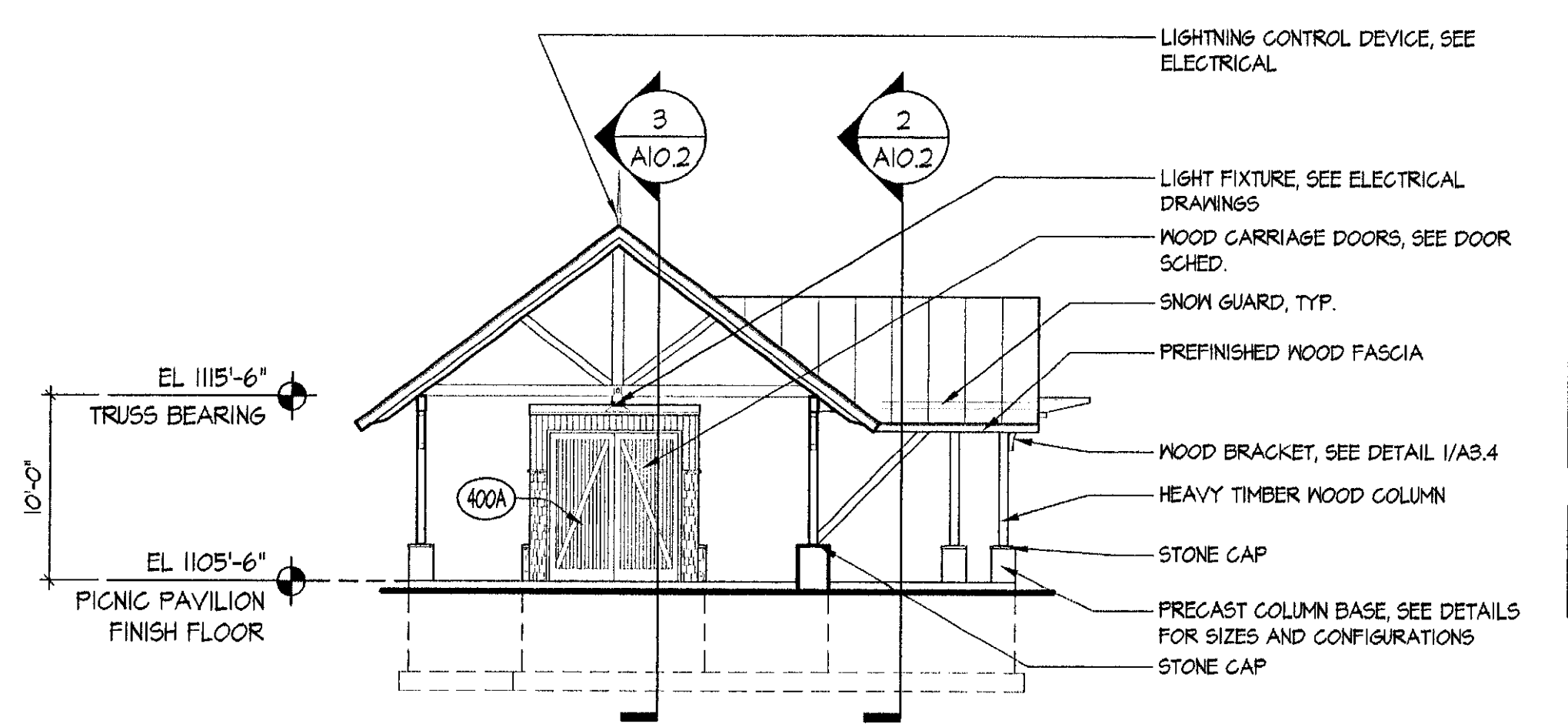
A10.2



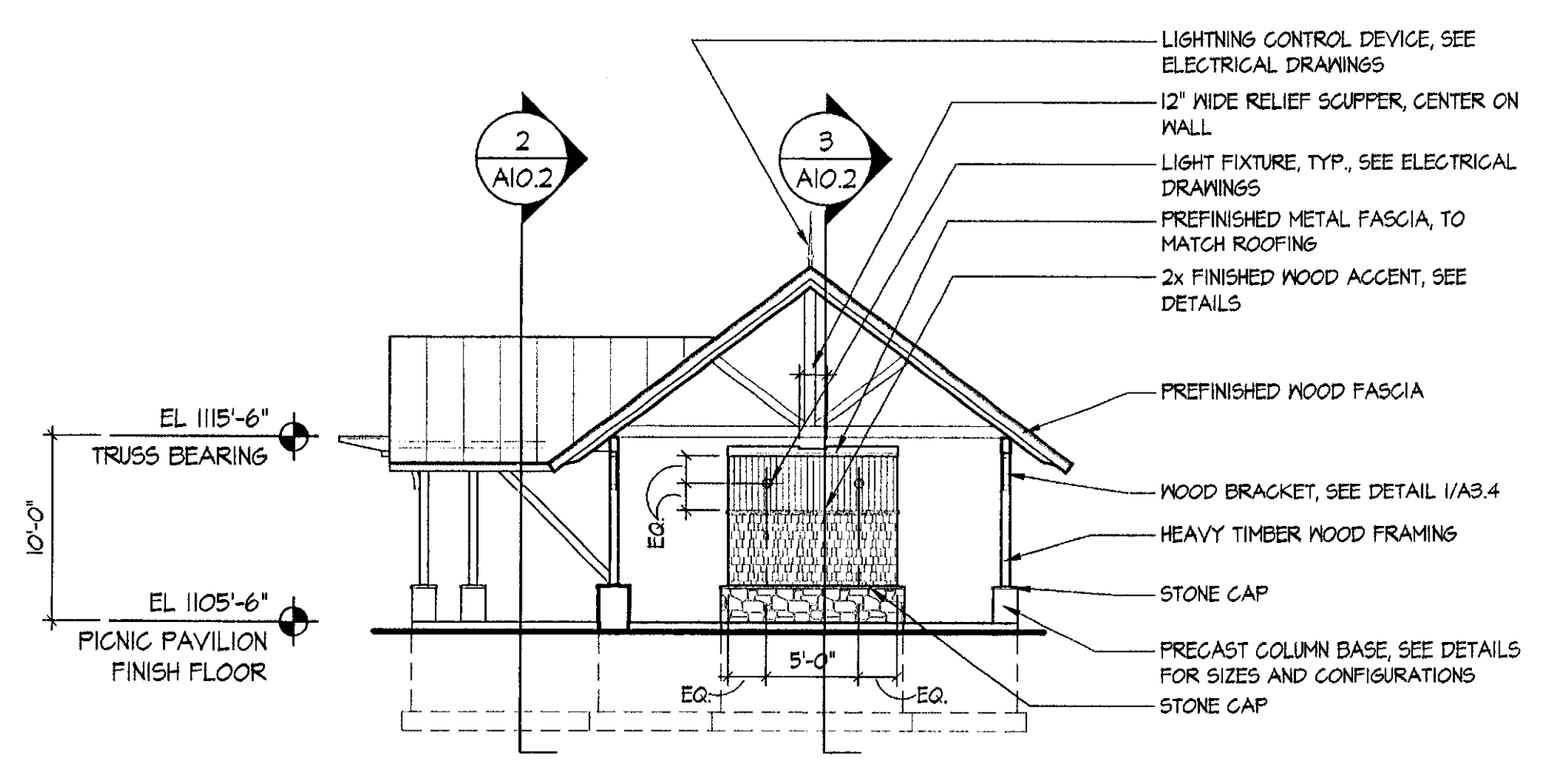
A EAST ELEVATION - PICNIC PAVILION
SCALE: 1/8" = 1'-0"
2009_ELEV-PICNIC



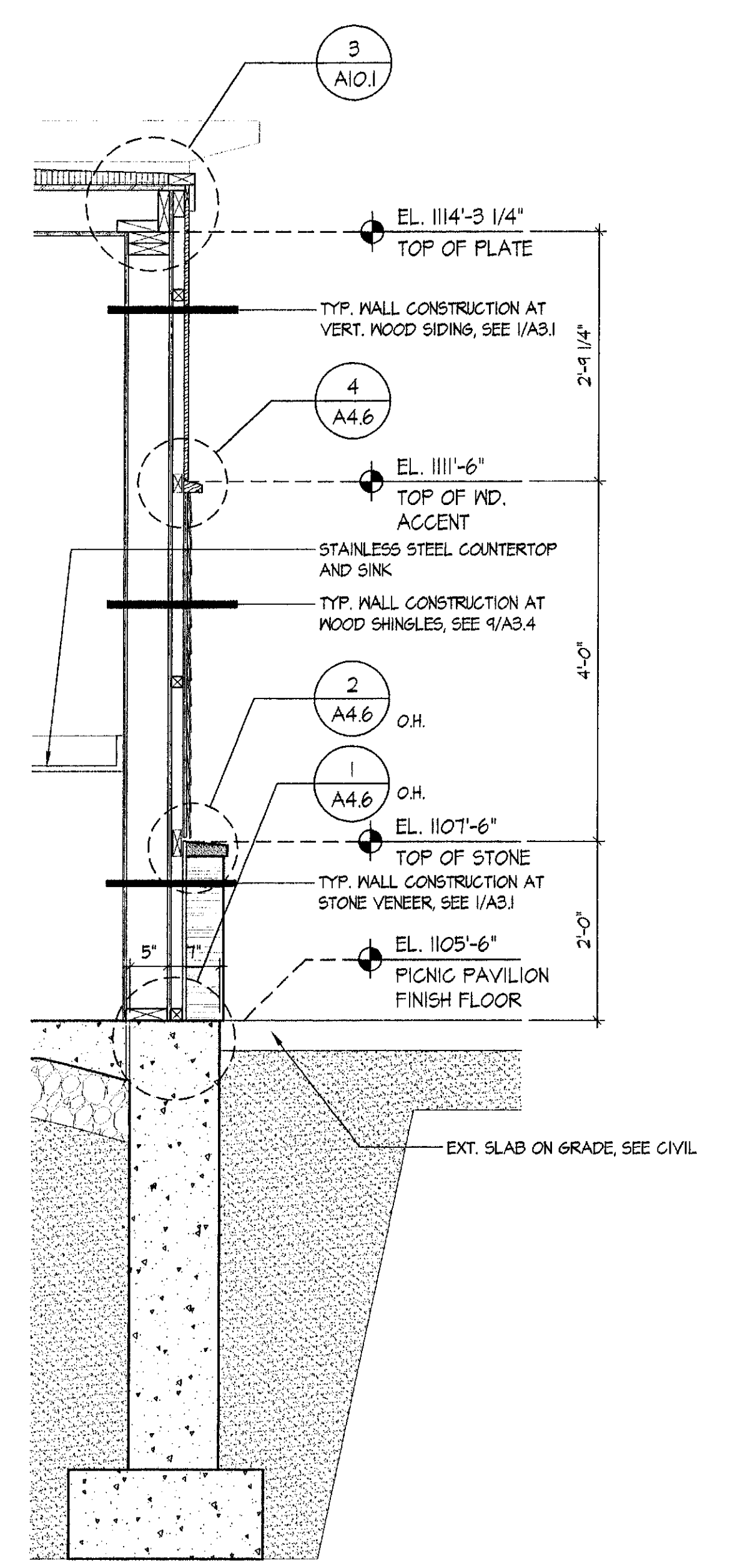
B WEST ELEVATION - PICNIC PAVILION
SCALE: 1/8" = 1'-0"
2009_ELEV-PICNIC



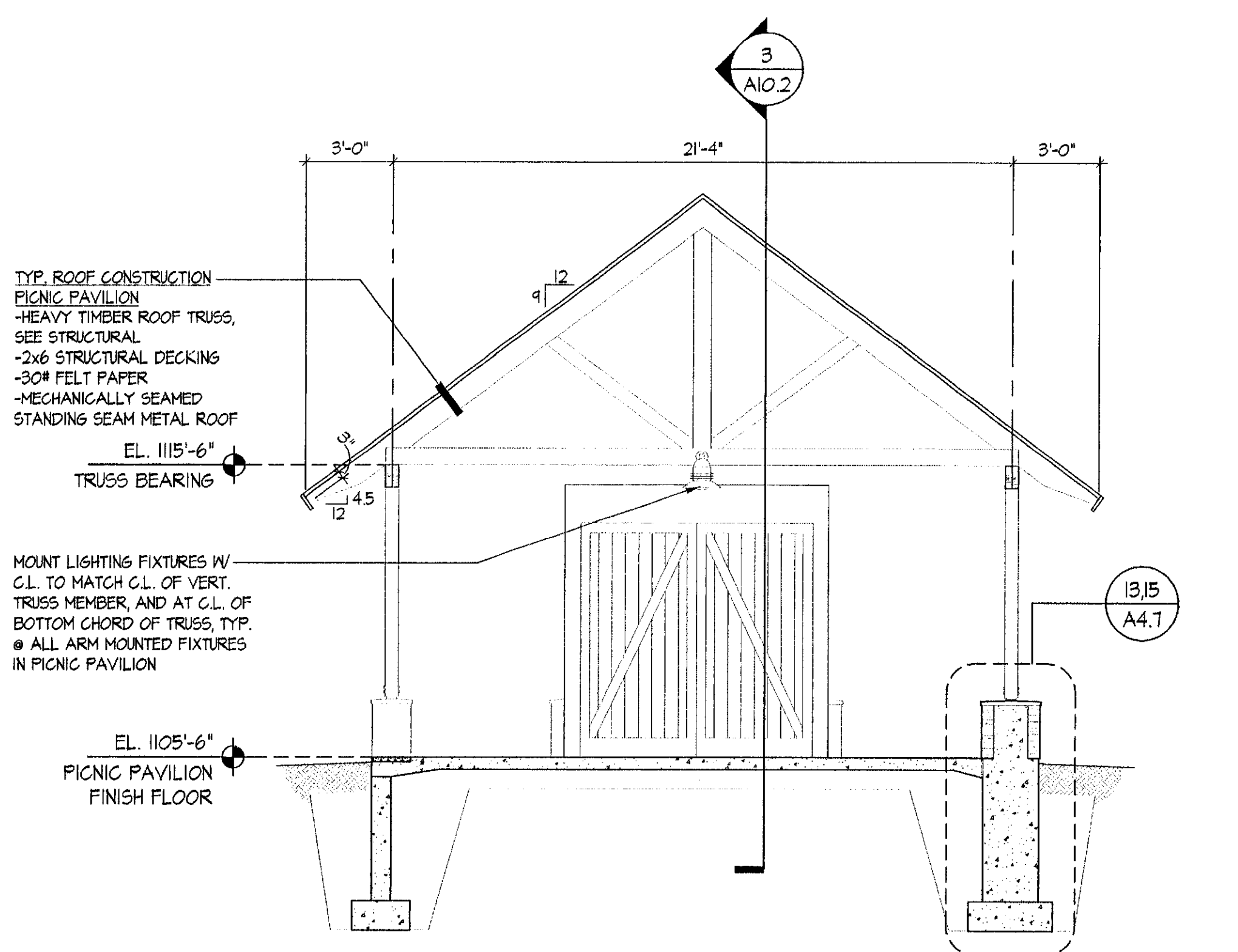
C SOUTH ELEVATION - PICNIC PAVILION
SCALE: 1/8" = 1'-0"
2009_ELEV-PICNIC



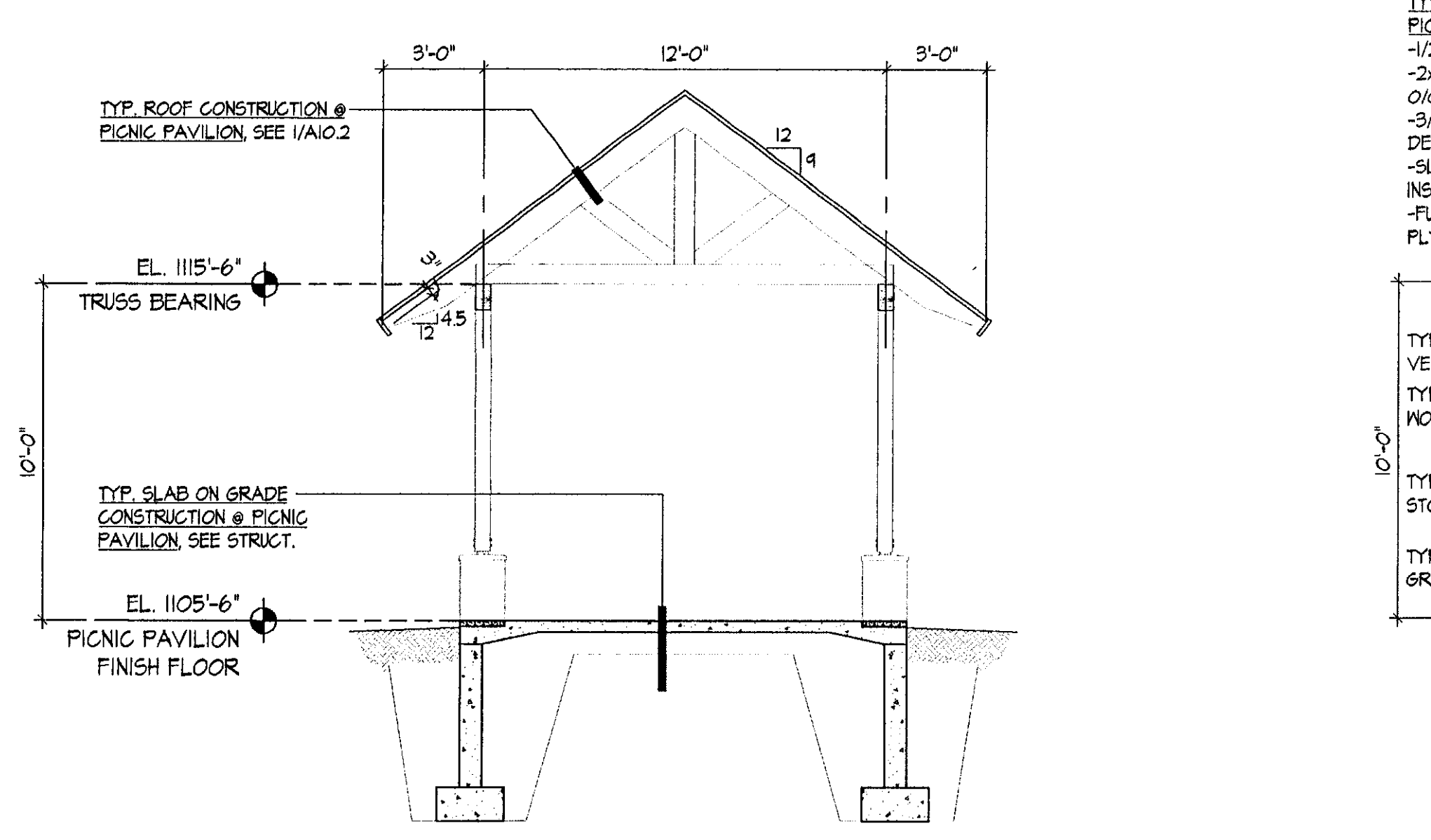
D NORTH ELEVATION - PICNIC PAVILION
SCALE: 1/8" = 1'-0"
2009_ELEV-PICNIC



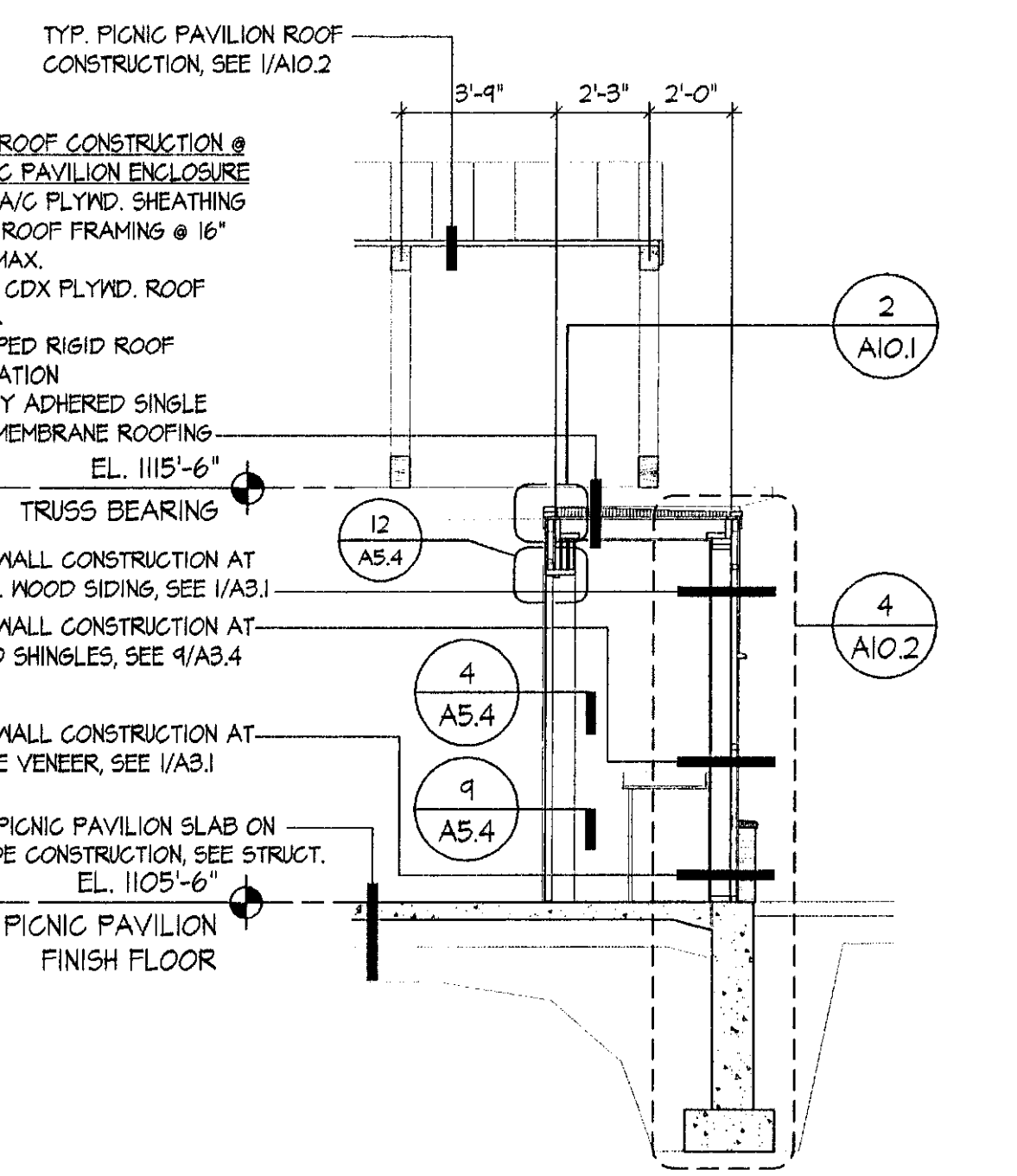
4 PICNIC PAVILION WALL SECTION
SCALE: 3/4" = 1'-0"
2009_WSEC4



1 PICNIC PAVILION SECTION
SCALE: 1/4" = 1'-0"
2009_BSEC1



2 PICNIC PAVILION SECTION
SCALE: 1/4" = 1'-0"
2009_BSEC2



3 PICNIC PAVILION SECTION
SCALE: 1/4" = 1'-0"
2009_BSEC3

ELEVATION LEGEND

- VERTICAL WOOD SIDING, SEE SPECIFICATIONS FOR SPECIES, SIZE, AND FINISH. COLOR TO MATCH OLYMPIC STAINS "PEWTER", CAPE COD WOOD SIDING #20025.
- WOOD SHINGLES, SEE SPECIFICATIONS FOR SIZE, AND FINISH. N. COLOR TO MATCH OLYMPIC STAINS "WINNING RED".
- STONE VENEER, SEE SPECIFICATIONS FOR TYPE, SIZE, AND FINISH.
- METAL STANDING SEAM ROOF, TO MATCH ENGLERT "PRE-WEATHERED GALVALUME". SEE SPECIFICATIONS FOR TYPE, SIZE, AND FINISH.

ALL "PREFINISHED WOOD FASCIA" TO MATCH OLYMPIC STAINS "PEWTER", CAPE COD WOOD SIDING #20025.

© NORTHERN ARCHITECTS INC., ALL RIGHTS RESERVED 2002