

**NORTHERN ARCHITECTS**  
 207 KING STREET  
 SUITE 3  
 BURLINGTON, VERMONT  
 05401-4502  
 802-658-1953

CONSULTANTS  
 CIVIL  
 KREBS AND LANSING  
 10 Main Street  
 Colchester, VT 05446  
 (802)-878-0975  
 LANDSCAPE ARCHITECT  
**OHKW**  
 OFFICE OF LANDSCAPE ARCHITECTURE  
 7 Morris Ave.  
 Burlington, VT 05401  
 (802)-664-0010  
 STRUCTURAL  
 RICHARD M. DOHERTY, P.E.  
 17 St. Paul Street  
 Burlington, VT 05401  
 (802)-660-4212  
 PLUMBING, MECHANICAL,  
 AND ELECTRICAL  
 DUFRESNE AND HENRY  
 Precision Park  
 North Springfield, VT 05150-0024  
 (802)-886-2261

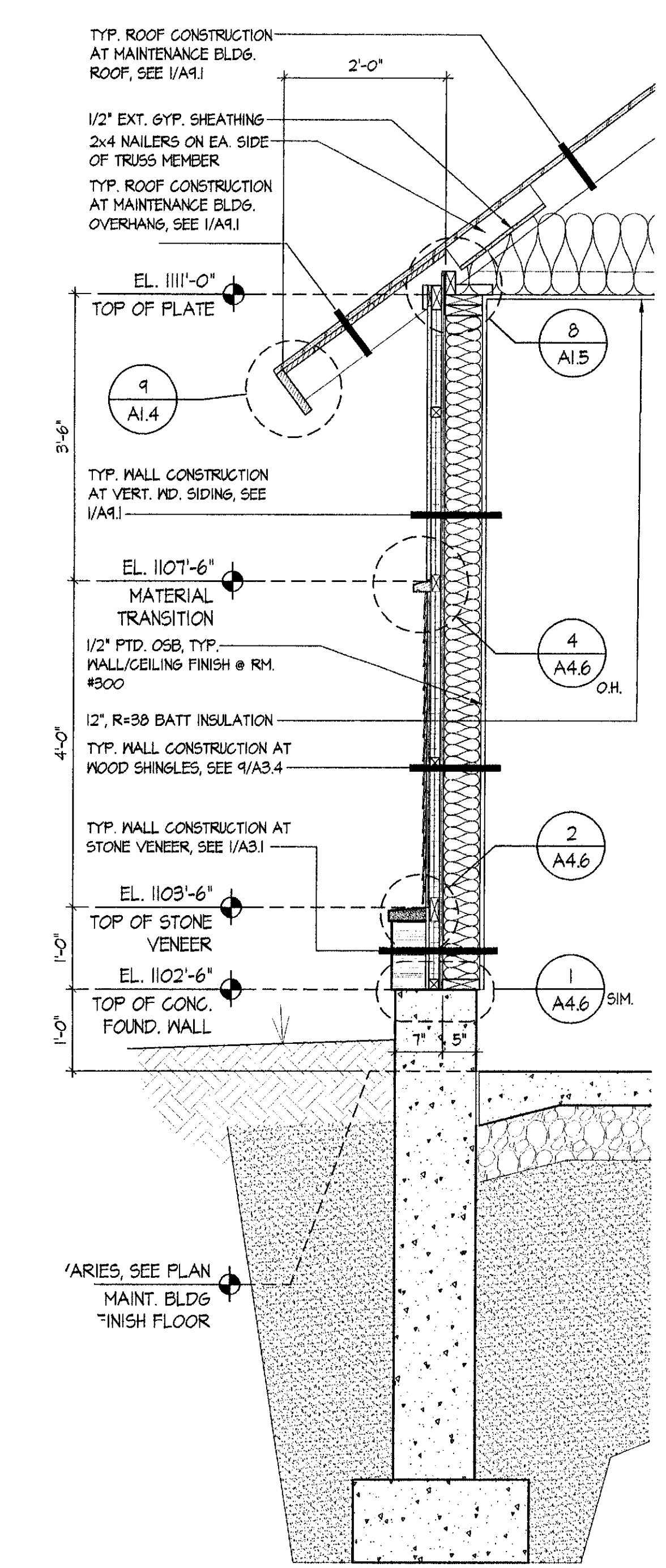
REVISIONS

PROJECT  
**DERBY WELCOME CENTER**  
 PROJECT #IM 091-3(8)  
 NEW FACILITY  
 DERBY VERMONT

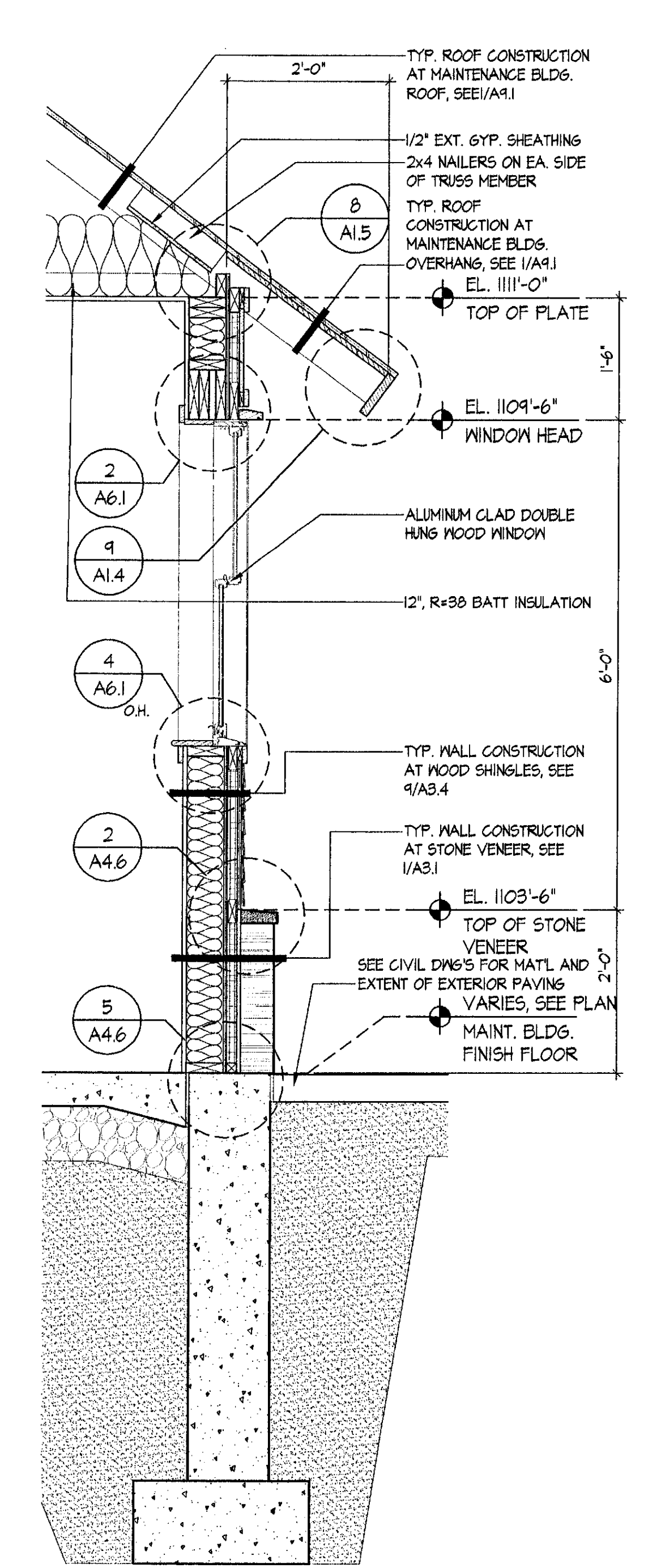
DATE: 01/07/2002  
 SCALE: A5 NOTED  
 CHECKED: HS  
 PROJECT NO: 2003

**MAINTENANCE BUILDING WALL SECTIONS**

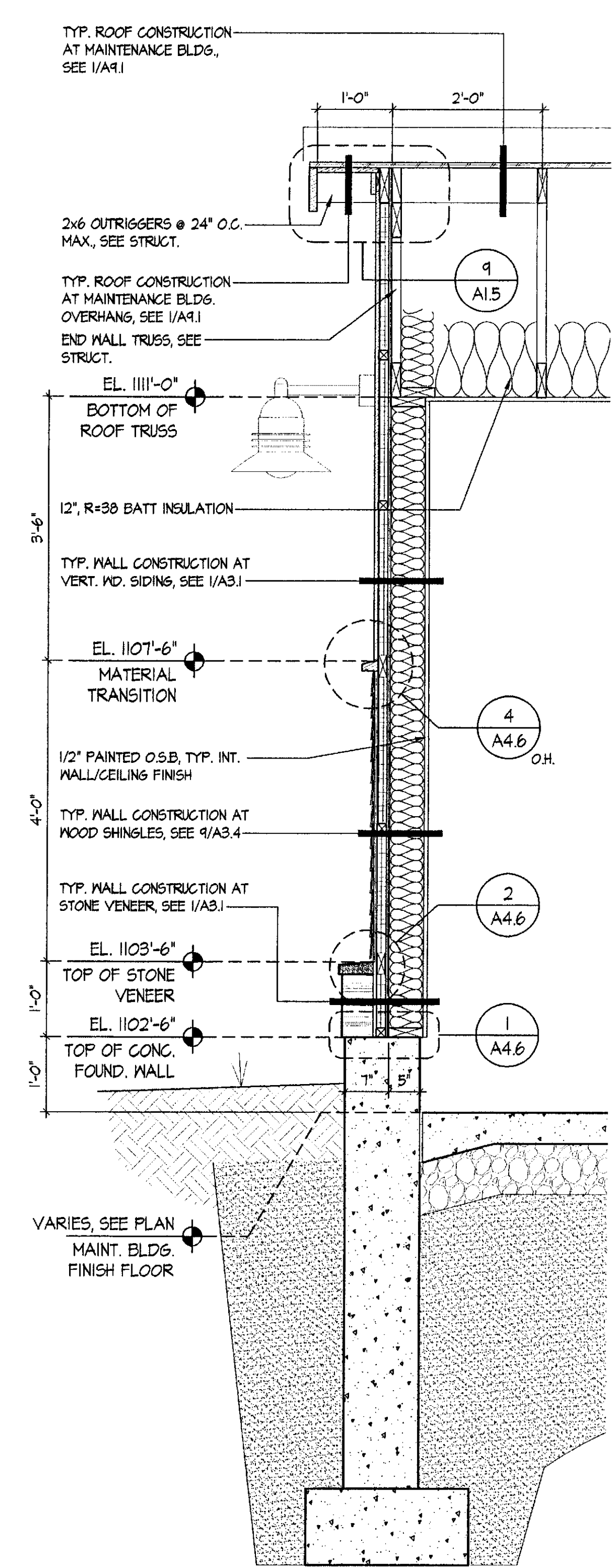
**A9.2**



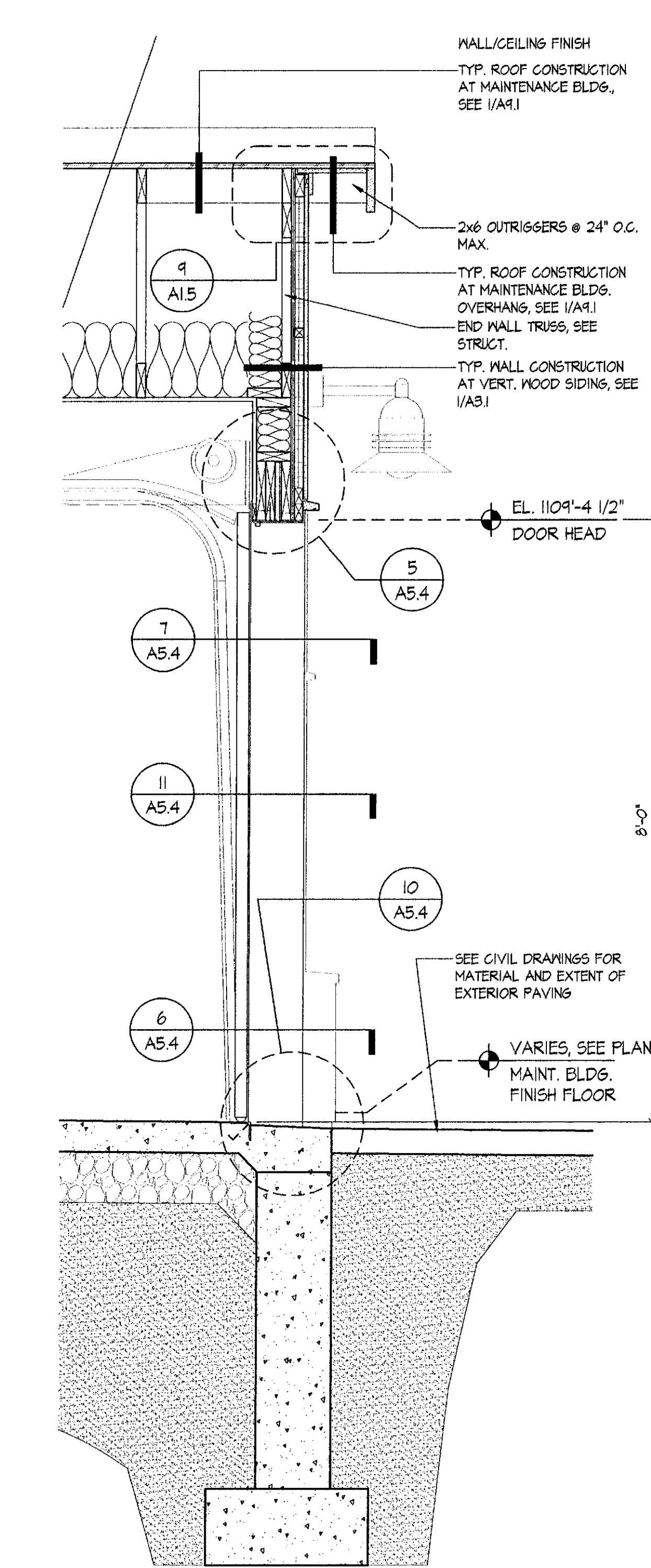
1 MAINT. BLDG. WALL SECTION  
 SCALE: 3/4" = 1'-0" 2003\_B504



2 MAINT. BLDG. WALL SECTION  
 SCALE: 3/4" = 1'-0" 2003\_B504



3 MAINT. BLDG. WALL SECTION  
 SCALE: 3/4" = 1'-0" 2003\_B504A



4 MAINT. BLDG. WALL SECTION  
 SCALE: 3/4" = 1'-0" 2003\_B504A

© NORTHERN ARCHITECTS INC. ALL RIGHTS RESERVED 2002