



NORTHERN ARCHITECTS

207 KING STREET
SUITE 3
BURLINGTON, VERMONT
05401-4502
802-658-1953

CONSULTANTS
CIVIL
KREBS AND LANSING
10 Main Street
Colchester VT 05446
(802)-876-0375
LANDSCAPE ARCHITECT
OHKW
1 Marble Ave.
Burlington VT 05401
(802)-864-0010
STRUCTURAL
RICHARD M. DOHERTY, P.E.
117 St. Paul Street
Burlington VT 05401
(802)-460-4212
PLUMBING, MECHANICAL,
AND ELECTRICAL
DUFRESNE AND HENRY
Precision Park
North Springfield VT 05150-0029
(802)-886-2261

REVISIONS

NO.	DESCRIPTION

PROJECT

DERBY WELCOME CENTER
PROJECT #10 091-3(8)
NEW FACILITY

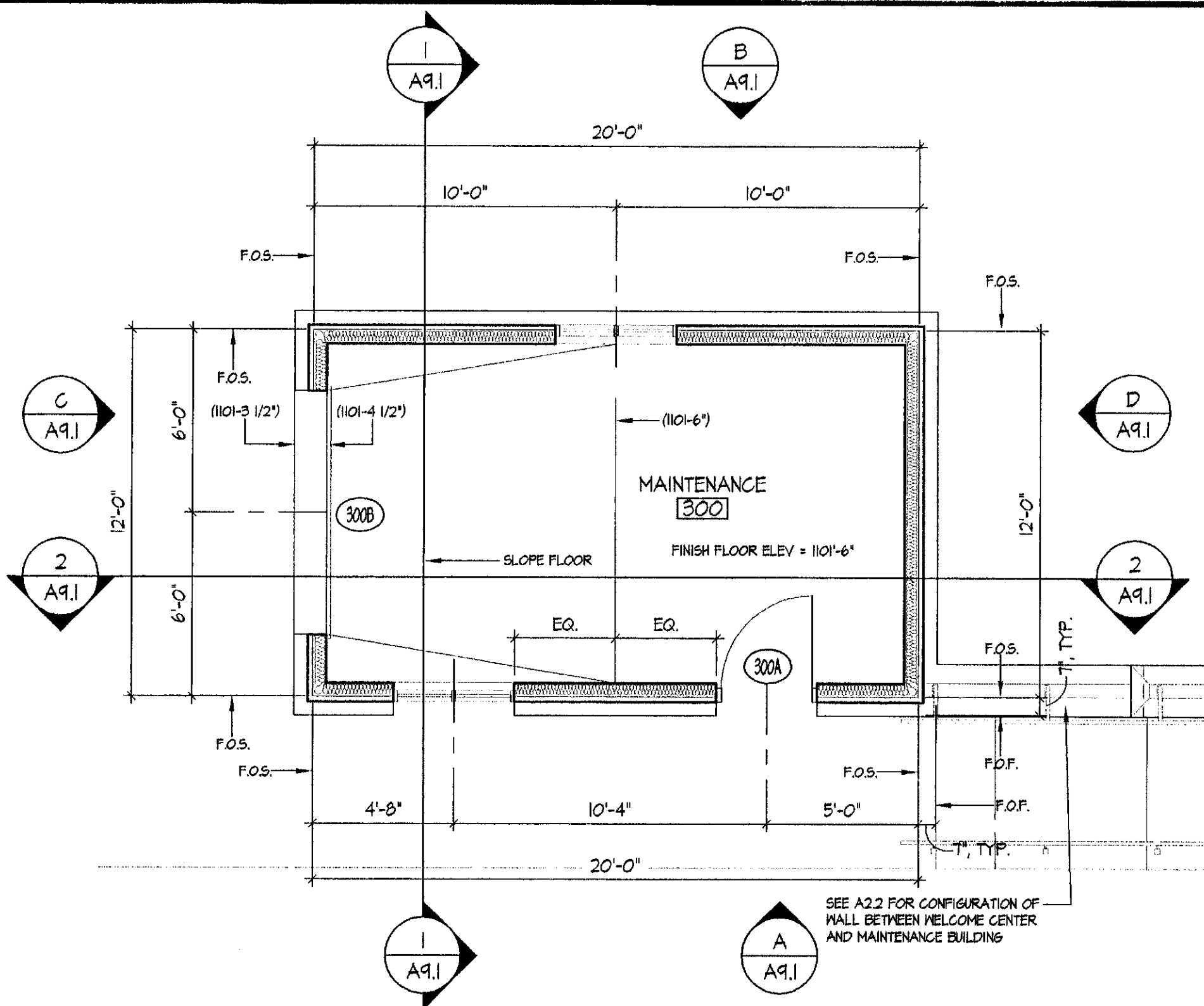
DERBY
VERMONT

DATE: 01/07/2002
SCALE: AS NOTED
CHECKED: H5
PROJECT NO: 2003

MAINTENANCE BUILDING PLAN, ELEVATIONS, AND SECTIONS

A9.1

© NORTHERN ARCHITECTS INC. ALL RIGHTS RESERVED 2002



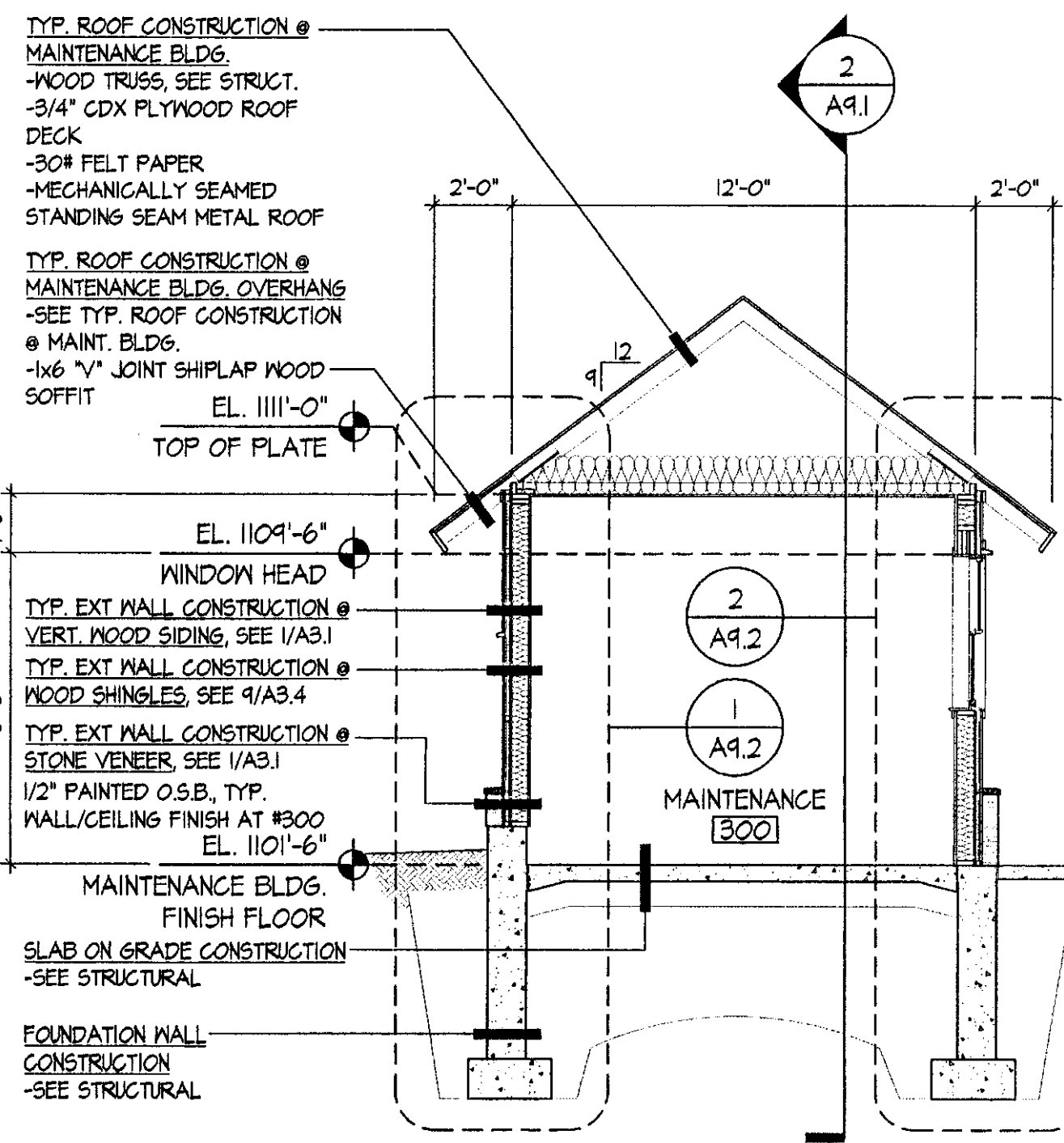
MAINTENANCE BUILDING PLAN

SCALE: 1/4" = 1'-0"

2003_FPO1

GENERAL NOTES:

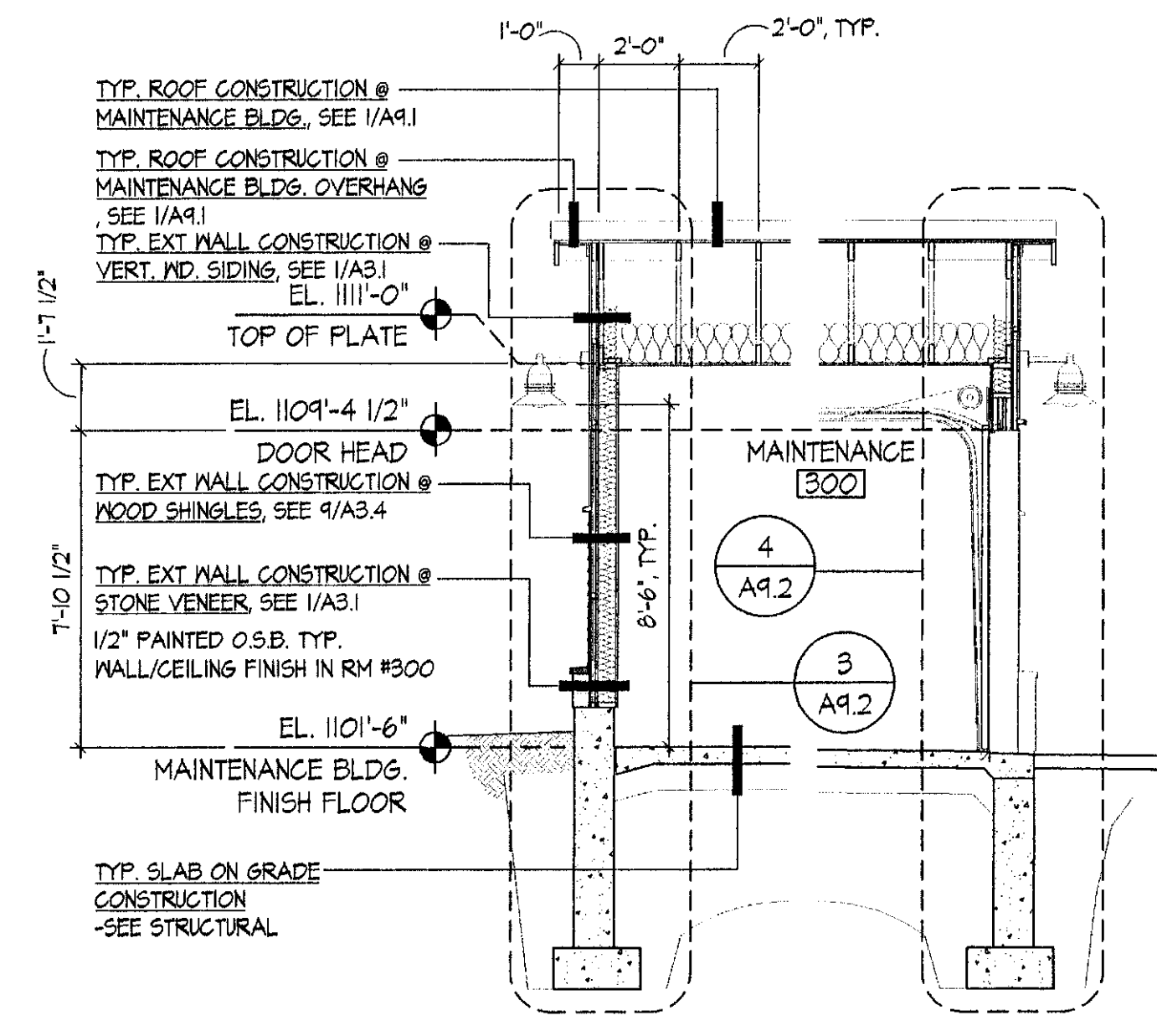
1. SEE ENLARGED DETAILS NOTED FOR ALL DIMENSIONS, TYP. NOTES, WALL TYPES, AND ALL OTHER INFORMATION RELATING TO THAT AREA.
2. ALL DIMENSIONS ARE TO EITHER C.L. OR FACE OF STUD, FACE OF MASONRY WALL, FACE OF CONCRETE, OR COLUMN C.L. UNLESS OTHERWISE NOTED.
3. REFER TO THIS SHEET FOR REFLECTED CEILING PLANS.
4. REFERS TO WALLS TO RECEIVE THERMAL INSULATION.
5. "FE" REFERS TO LOCATIONS OF FIRE EXTINGUISHERS.
6. "FD" REFERS TO LOCATIONS OF FLOOR DRAINS.
7. "F.O.S." REFERS TO A DIMENSION TAKEN TO FACE OF STUD.
8. "F.O.F." REFERS TO A DIMENSION TAKEN TO FACE OF FOUNDATION.
9. "F.O.C." REFERS TO A DIMENSION TAKEN TO FACE OF WOOD COLUMN.



SECTION 1 AT MAINTENANCE BLDG.

SCALE: 1/4" = 1'-0"

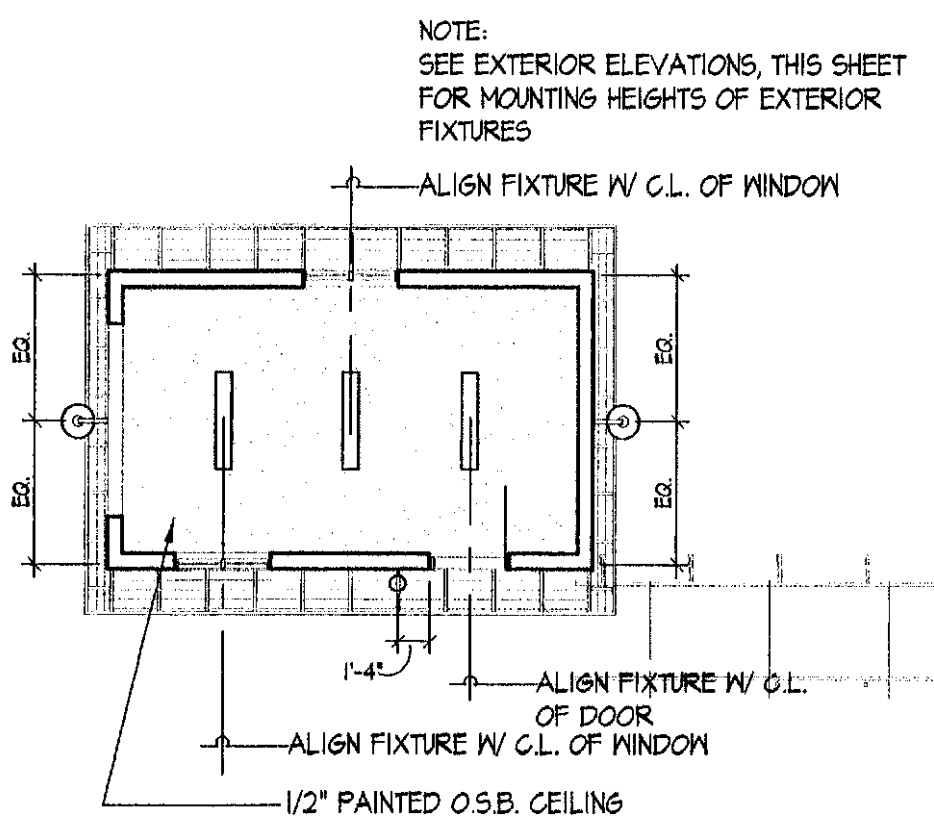
2003_B504



SECTION 2 AT MAINTENANCE BLDG.

SCALE: 1/4" = 1'-0"

2003_B504A



REFLECTED CEILING PLAN LIGHTING LEGEND:

- PENDANT MOUNTED FIXTURE, SEE ELECTRICAL DWG'S FOR TYPES
- ⊕ ARM MOUNTED FIXTURE ON HEAVY TIMBER TRUSS OR FRAMING, SEE ELECTRICAL DWG'S FOR TYPES
- INTERIOR SCORCE, MOUNT AS UP LIGHT, UNLESS NOTED AS "DN". SEE INTERIOR ELEVATIONS FOR LOCATION AND ELECTRICAL DWG'S FOR TYPES
- RECESSED CEILING LUMINAIRE, SEE ELECTRICAL DWG'S FOR TYPES
- WALL MOUNTED EXTERIOR FIXTURE, MOUNT AS UP LIGHT UNLESS NOTED "DN", SEE EXTERIOR ELEVATIONS FOR LOCATIONS, AND ELECTRICAL DWG'S FOR TYPES
- RECESSED INTERIOR FIXTURE, SEE ELECTRICAL DWG'S FOR TYPES

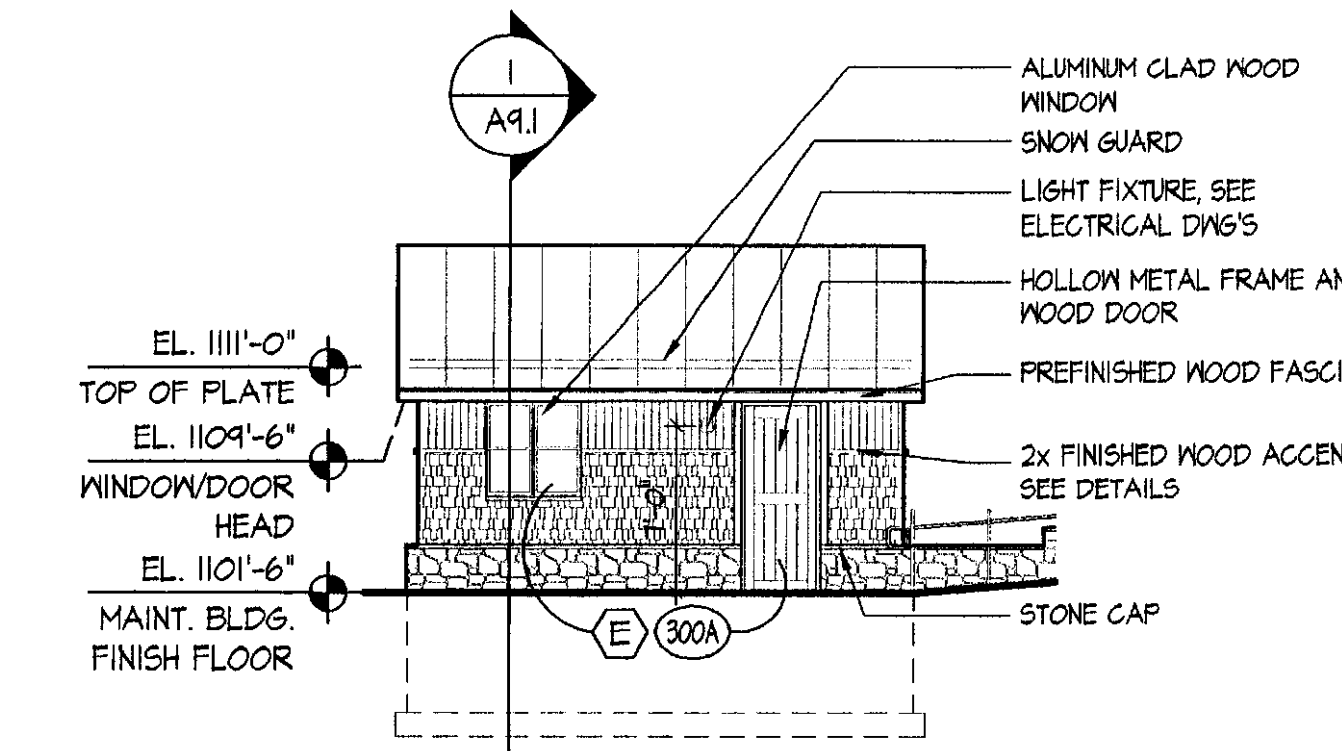
ELEVATION LEGEND

- VERTICAL WOOD SIDING, SEE SPECIFICATIONS FOR SPECIES, SIZE, AND FINISH. COLOR TO MATCH OLYMPIC STAINS "PENTER", CAPE COD WOOD SIDING #20025
- WOOD SHINGLES, SEE SPECIFICATIONS FOR SIZE, AND FINISH. N COLOR TO MATCH OLYMPIC STAINS "MINNING RED"
- STONE VENEER, SEE SPECIFICATIONS FOR TYPE, SIZE, AND FINISH
- METAL STANDING SEAM ROOF, TO MATCH ENGLERT "PRE-WEATHERED GALVALUME". SEE SPECIFICATIONS FOR TYPE, SIZE, AND FINISH
- ALL "PREFINISHED WOOD FASCIA" TO MATCH OLYMPIC STAINS "PENTER", CAPE COD WOOD SIDING #20025.

MAINTENANCE BUILDING - REFLECTED CEILING PLAN

SCALE: 1/4" = 1'-0"

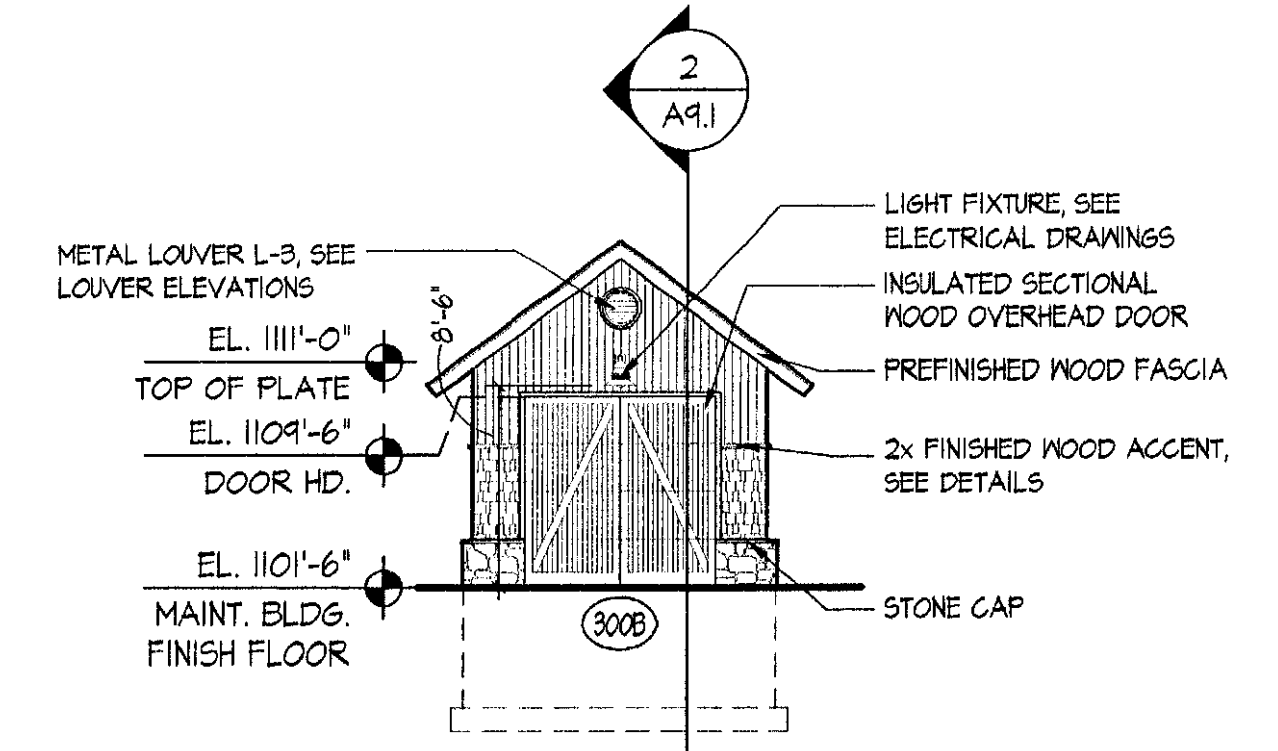
2003_FPO1



A EAST ELEVATION

SCALE: 1/8" = 1'-0"

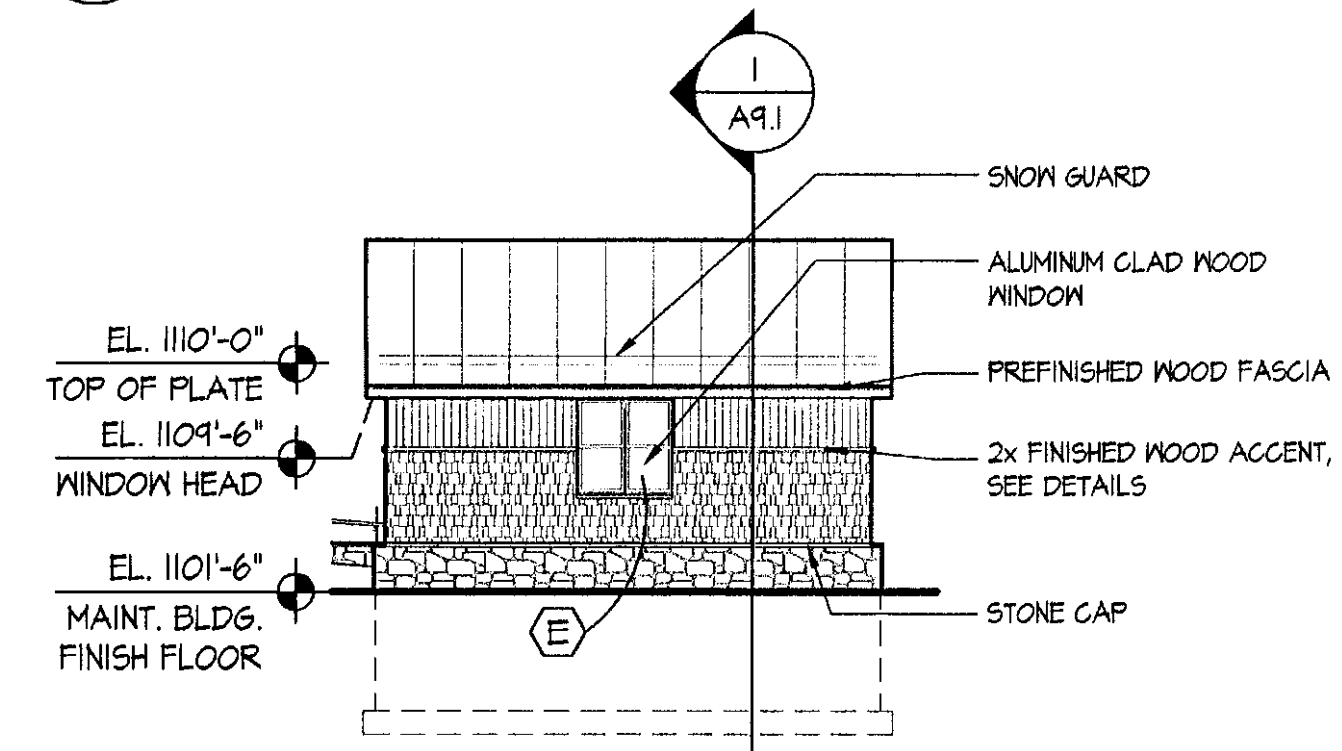
2003_ELEV-MAINT.



C SOUTH ELEVATION

SCALE: 1/8" = 1'-0"

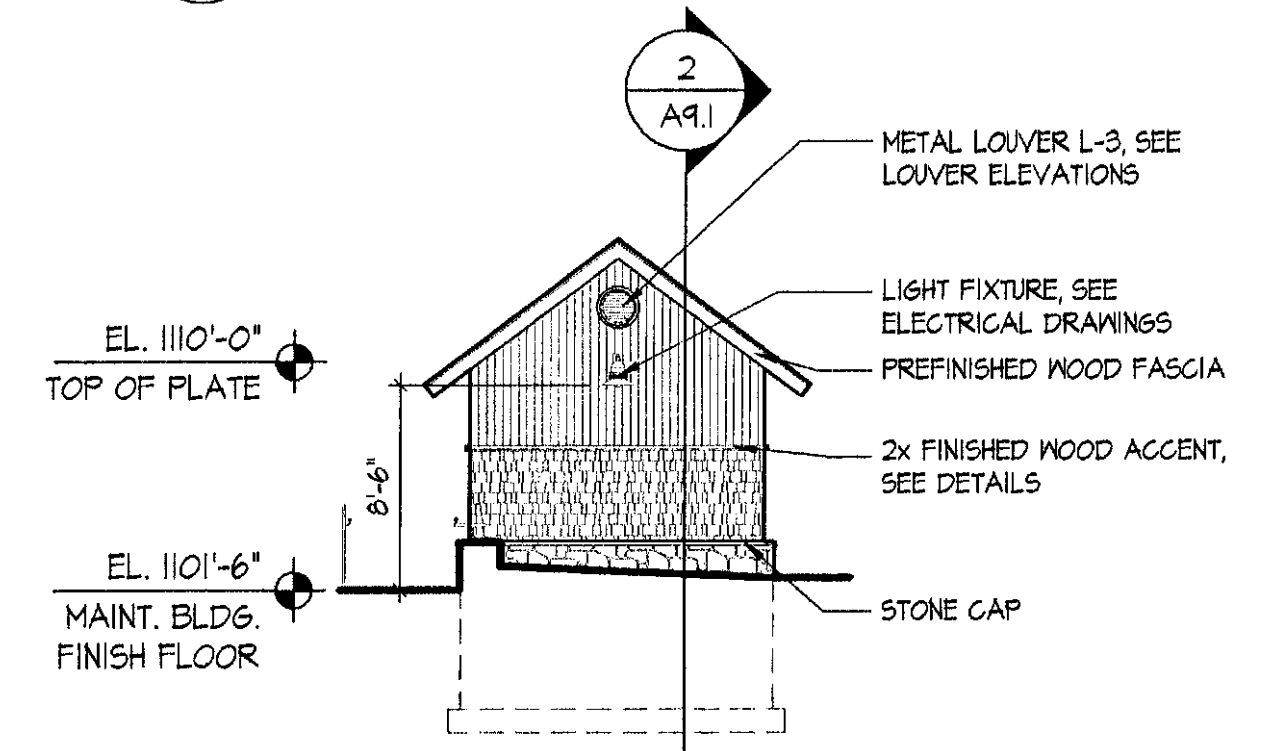
2003_ELEV-MAINT.



B WEST ELEVATION

SCALE: 1/8" = 1'-0"

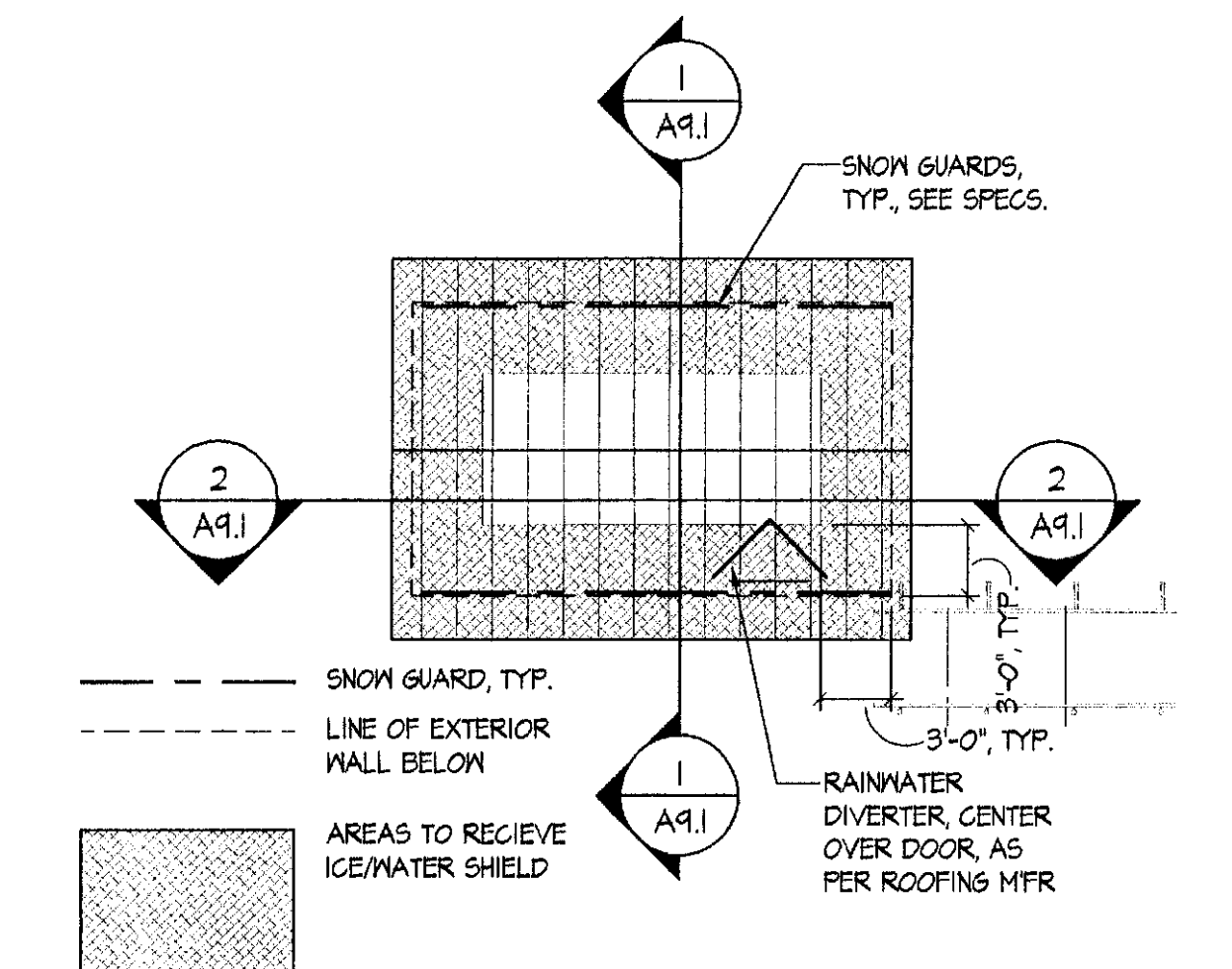
2003_ELEV-MAINT.



D NORTH ELEVATION

SCALE: 1/8" = 1'-0"

2003_ELEV-MAINT.



MAINTENANCE BUILDING - ROOF PLAN

SCALE: 1/4" = 1'-0"

2003_FPO1