



**NORTHERN ARCHITECTS**  
 207 KING STREET  
 SUITE 3  
 BURLINGTON, VERMONT  
 05401-4502  
 802-658-1953

CONSULTANTS  
 CIVIL  
 KREBS AND LANSING  
 10 Main Street  
 Colchester VT 05446  
 (802)-878-0975  
 LANDSCAPE ARCHITECT  
**OHKW**  
 1 Marble Ave.  
 Burlington VT 05401  
 (802)-864-0010  
 STRUCTURAL  
 RICHARD M. D'HERTY, P.E.  
 117 St. Paul Street  
 Burlington VT 05401  
 (802)-660-4212  
 PLUMBING, MECHANICAL,  
 AND ELECTRICAL  
 DUFFRESNE AND HENRY  
 Precision Park  
 North Springfield VT 05150-0024  
 (802)-886-2261

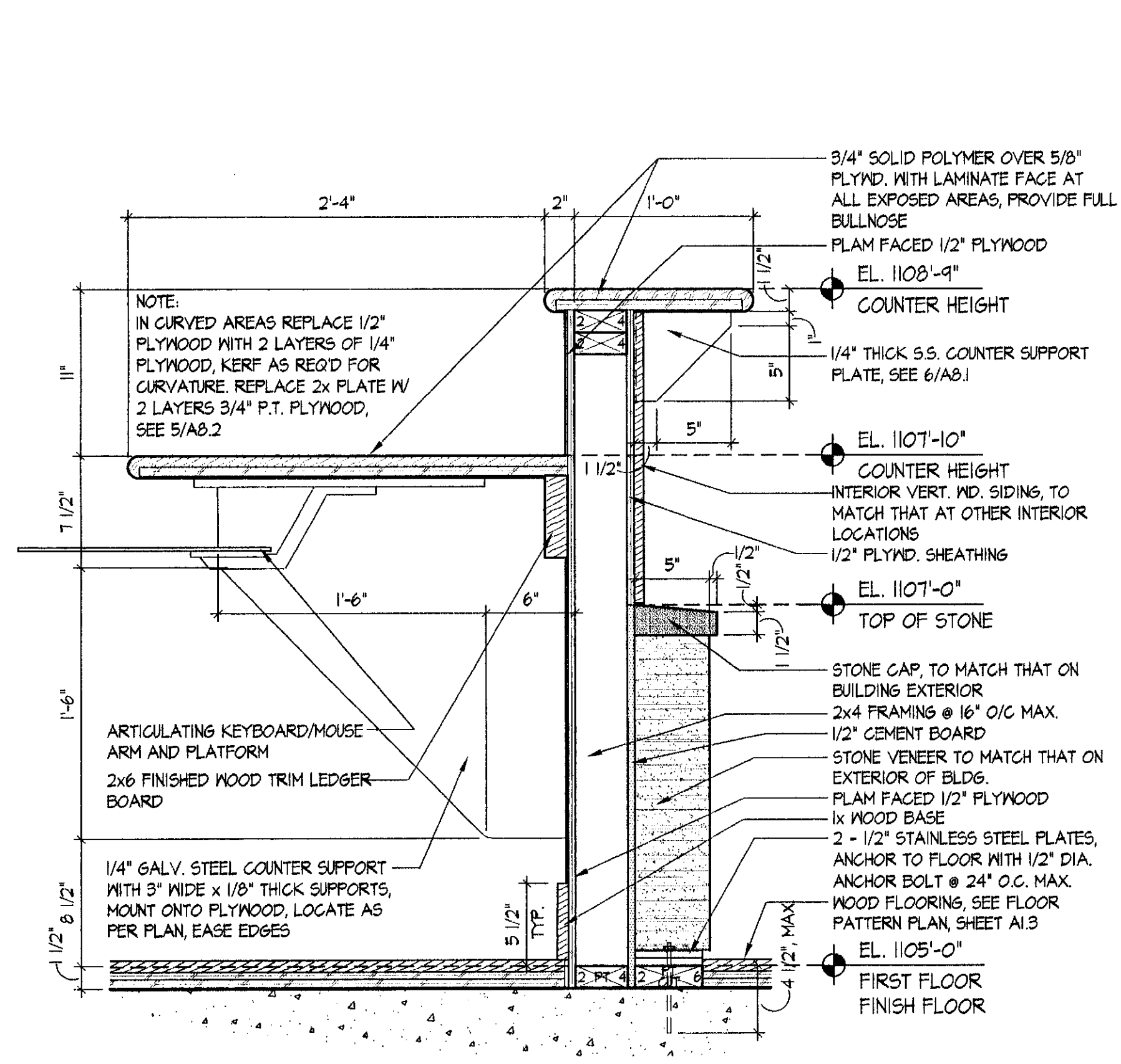
REVISIONS

PROJECT  
**DERBY WELCOME CENTER**  
 PROJECT #1091-3(8)  
 NEW FACILITY  
 DERBY  
 VERMONT

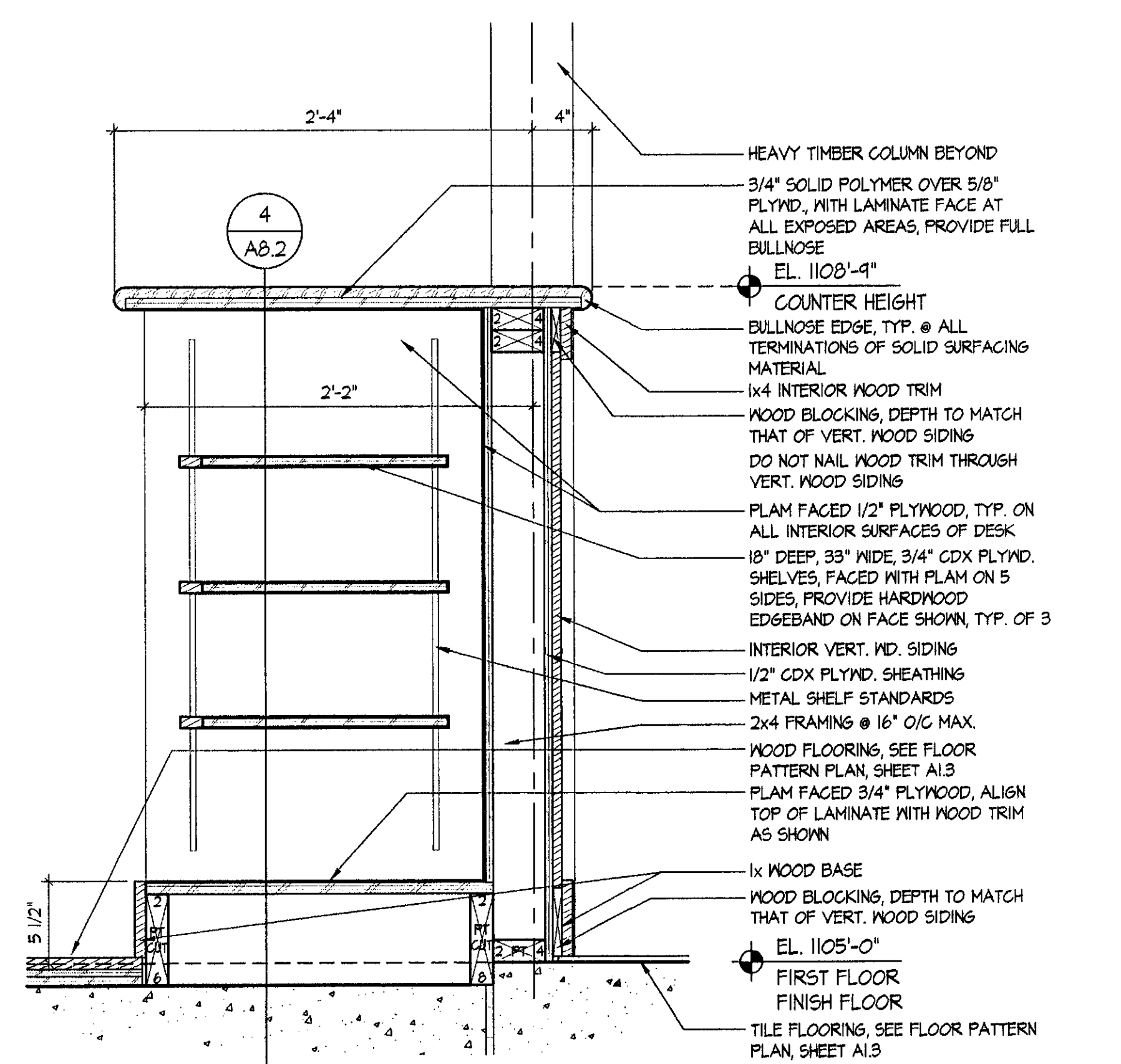
DATE: 01/01/2002  
 SCALE: AS NOTED  
 CHECKED: HS  
 PROJECT NO: 2003

RECEPTION DESK SECTIONS

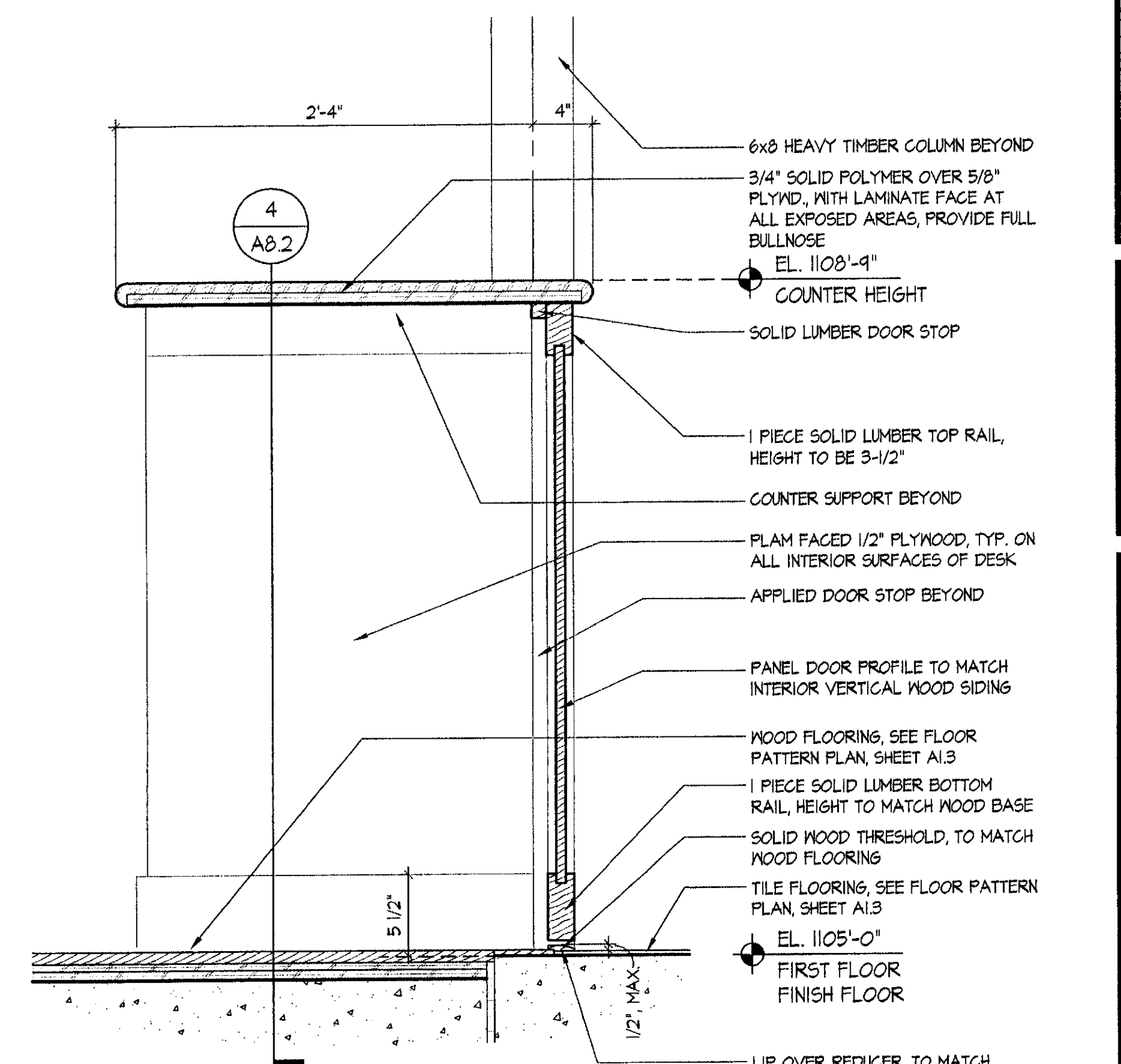
**A8.2**



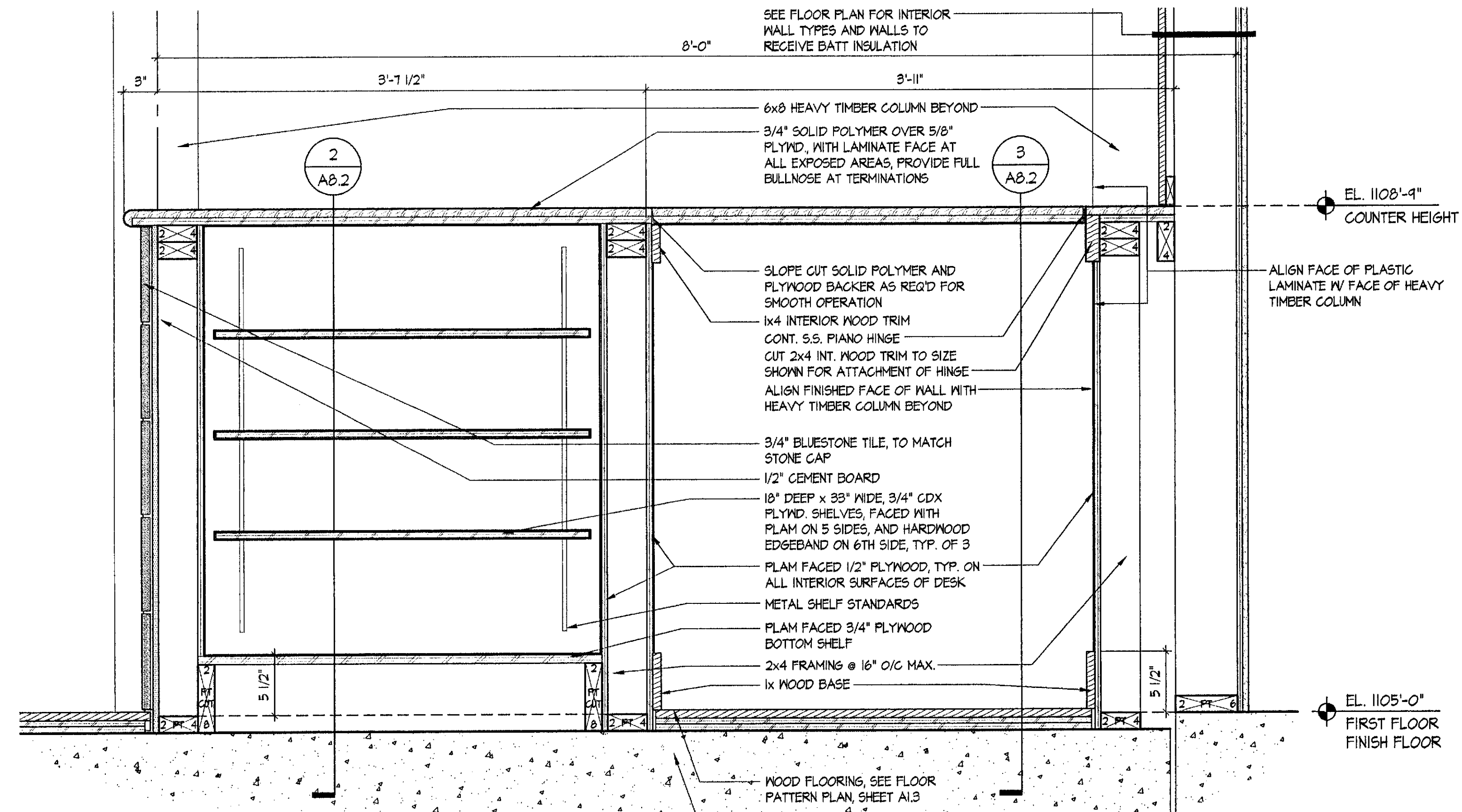
**1 RECEPTION DESK SECTION**  
 SCALE: 1-1/2" = 1'-0"  
 2003\_DTL-DESK02



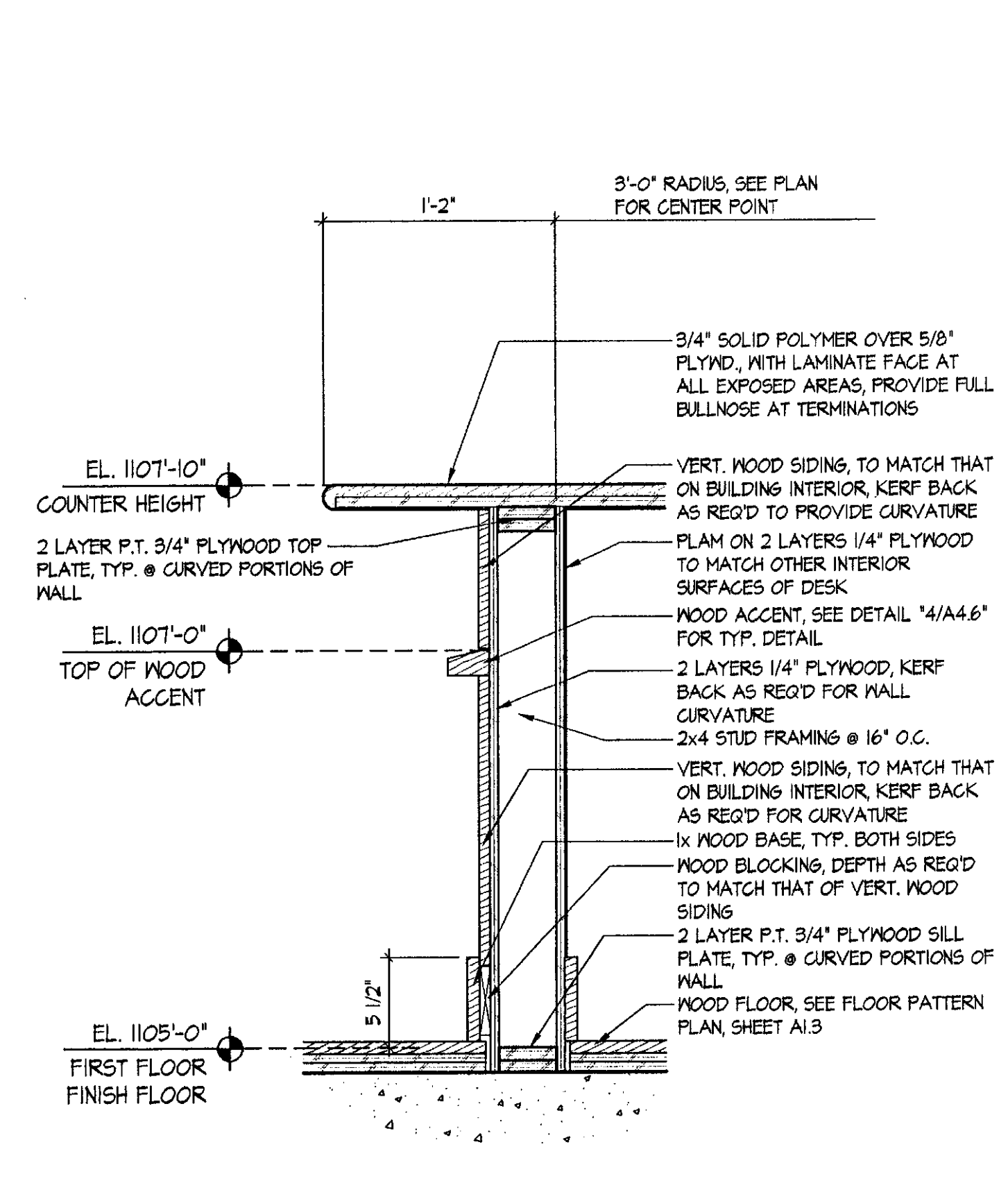
**2 RECEPTION DESK SECTION**  
 SCALE: 1-1/2" = 1'-0"  
 2003\_DTL-DESK02



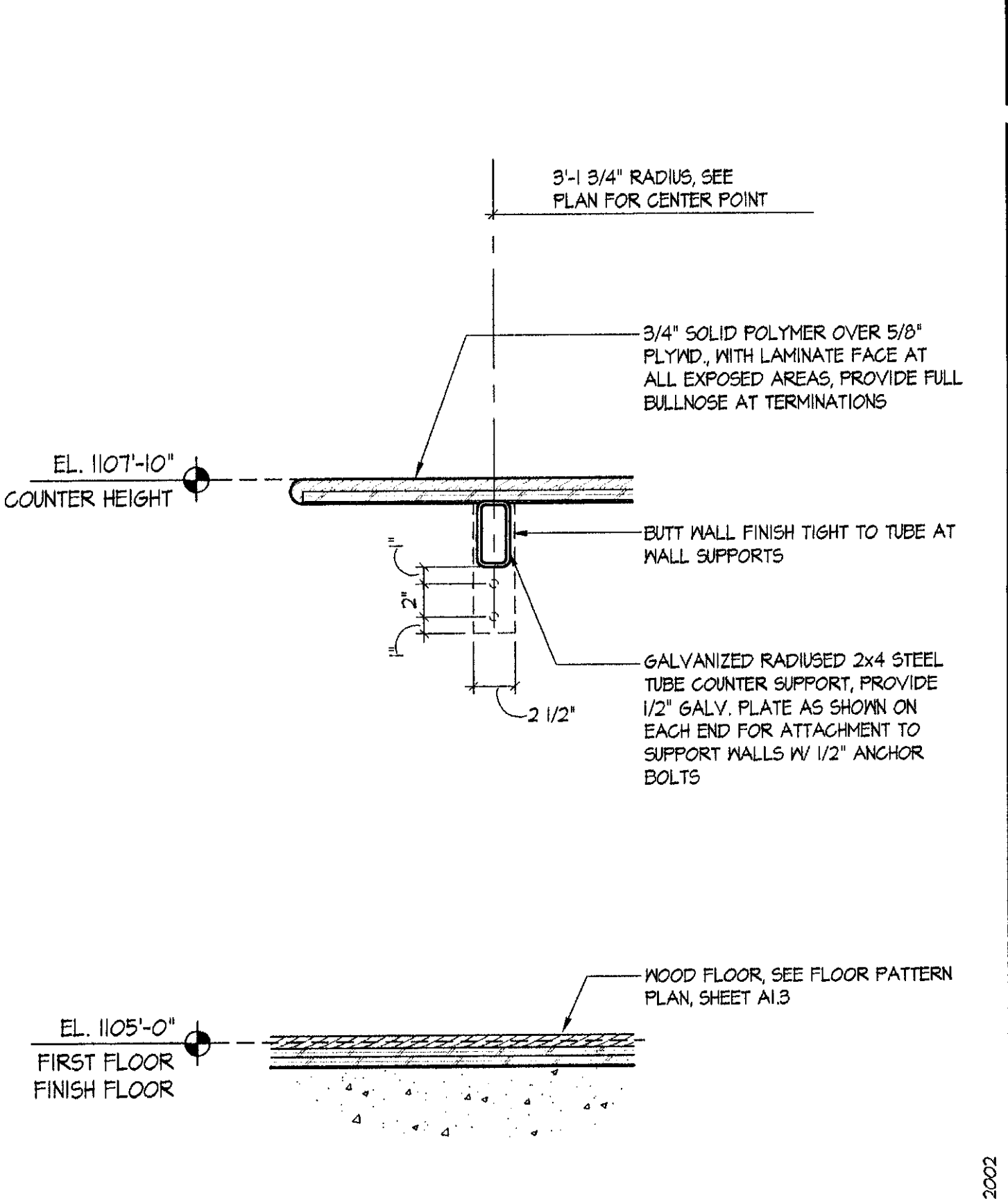
**3 RECEPTION DESK SECTION**  
 SCALE: 1-1/2" = 1'-0"  
 2003\_DTL-DESK02



**4 RECEPTION DESK SECTION**  
 SCALE: 1-1/2" = 1'-0"  
 2003\_DTL-DESK02



**5 RECEPTION DESK SECTION**  
 SCALE: 1-1/2" = 1'-0"  
 2003\_DTL-DESK02



**6 RECEPTION DESK SECTION**  
 SCALE: 1-1/2" = 1'-0"  
 2003\_DTL-DESK02

© NORTHERN ARCHITECTS, INC., ALL RIGHTS RESERVED 2002