

NORTHERN ARCHITECTS
 207 KING STREET
 SUITE 3
 BURLINGTON, VERMONT
 05401-4502
 802-658-1953

CONSULTANTS
 CIVIL
 KREBS AND LANSING
 10 Main Street
 Colchester VT 05446
 (802)-878-0875
 LANDSCAPE ARCHITECT
OHKW
 11 Marble Ave.
 Burlington VT 05401
 (802)-864-0010
 STRUCTURAL
 RICHARD M. DOHERTY, P.E.
 111 St. Paul Street
 Burlington VT 05401
 (802)-660-9212
 PLUMBING, MECHANICAL
 AND ELECTRICAL
 DUFRESNE AND HENRY
 Precision Park
 North Springfield VT 05150-0029
 (802)-886-2281

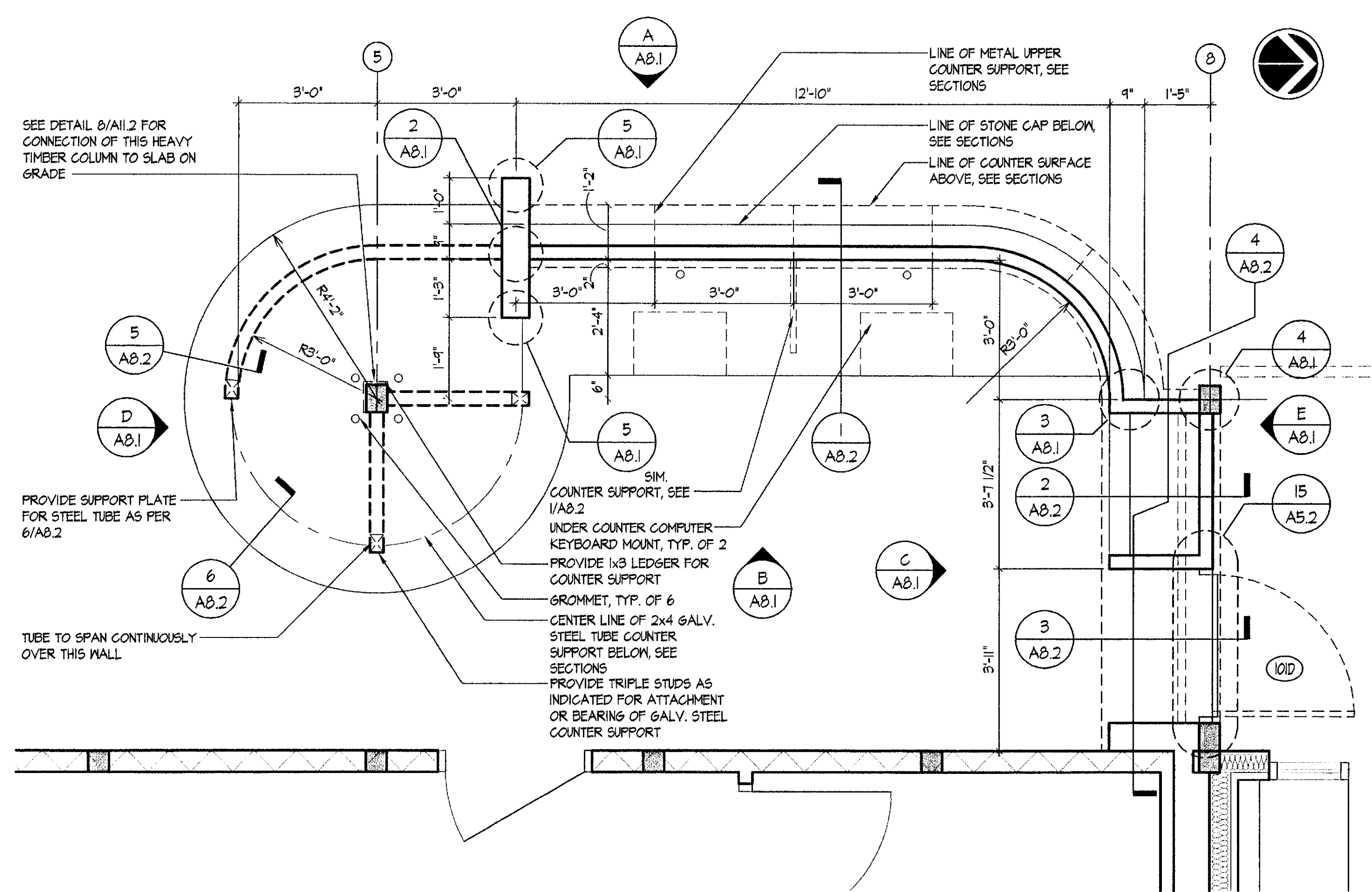
REVISIONS

PROJECT
DERBY WELCOME CENTER
 PROJECT #M 091-3(8)
 NEW FACILITY
 DERBY VERMONT

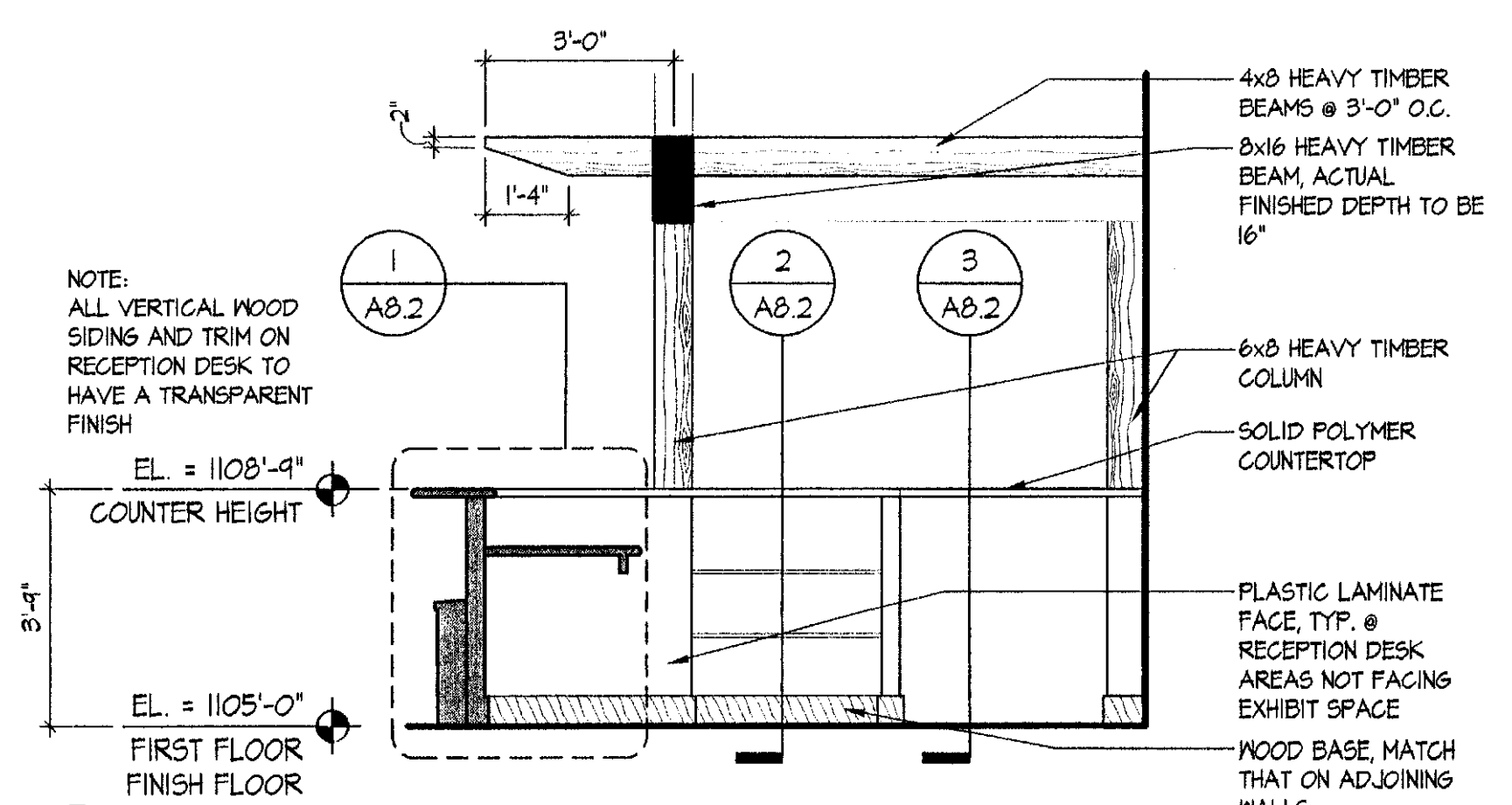
DATE: 01/07/2002
 SCALE: AS NOTED
 CHECKED: HS
 PROJECT NO: 2003

RECEPTION DESK PLAN
 ELEVATIONS,
 AND
 DETAILS

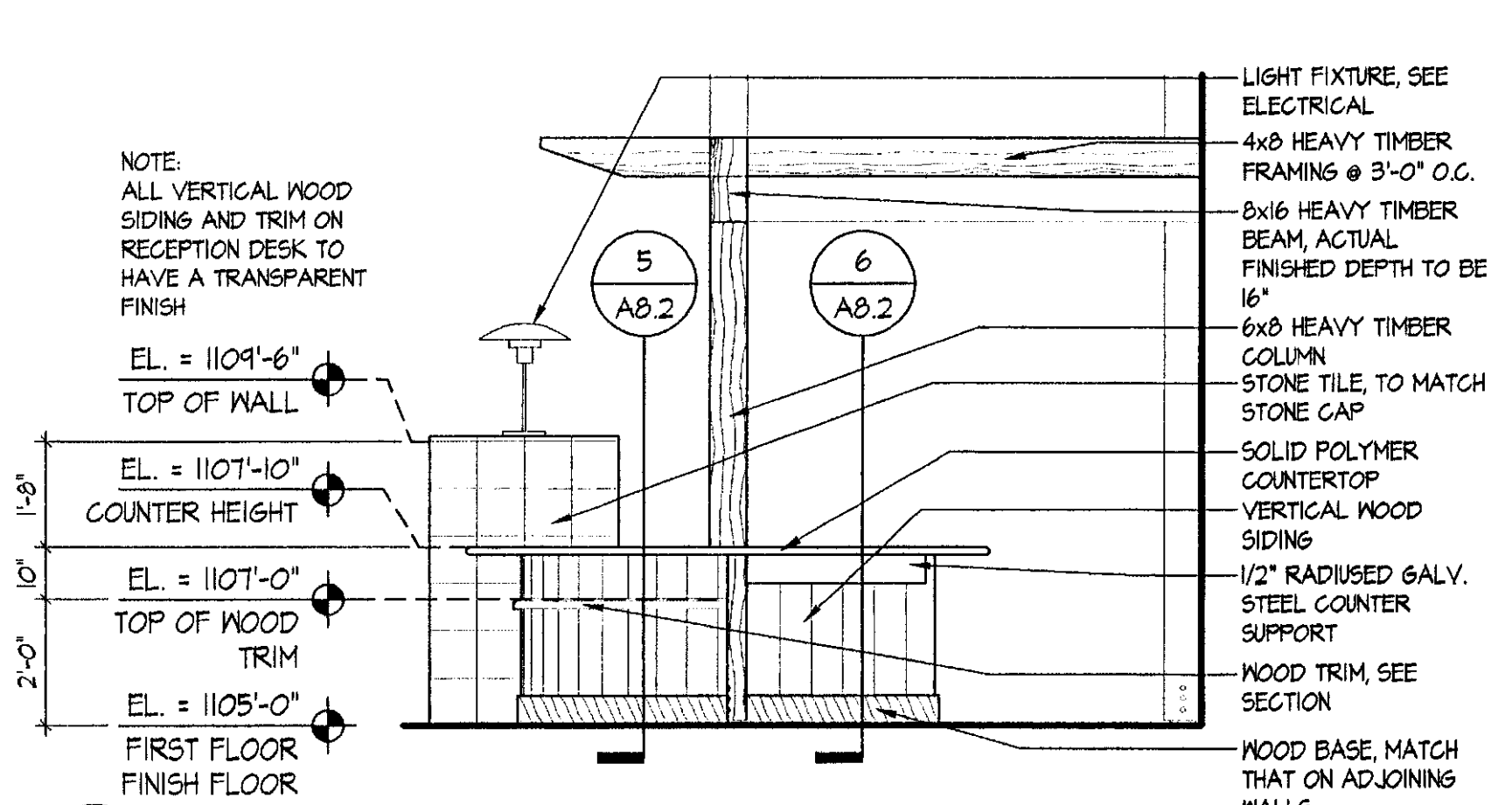
A8.1



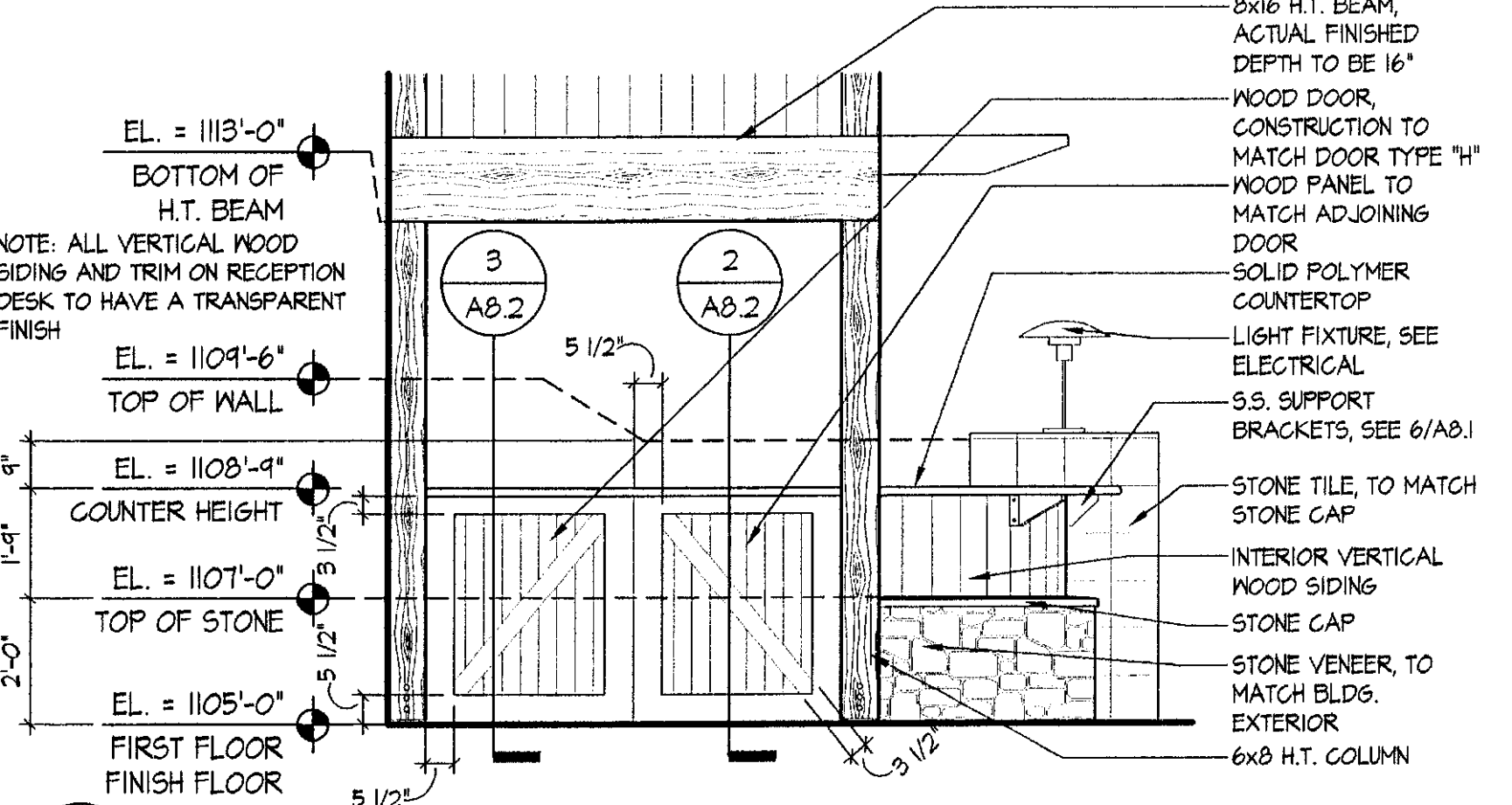
1 RECEPTION DESK PLAN
 SCALE: 1/2" = 1'-0"
 2003_FP01



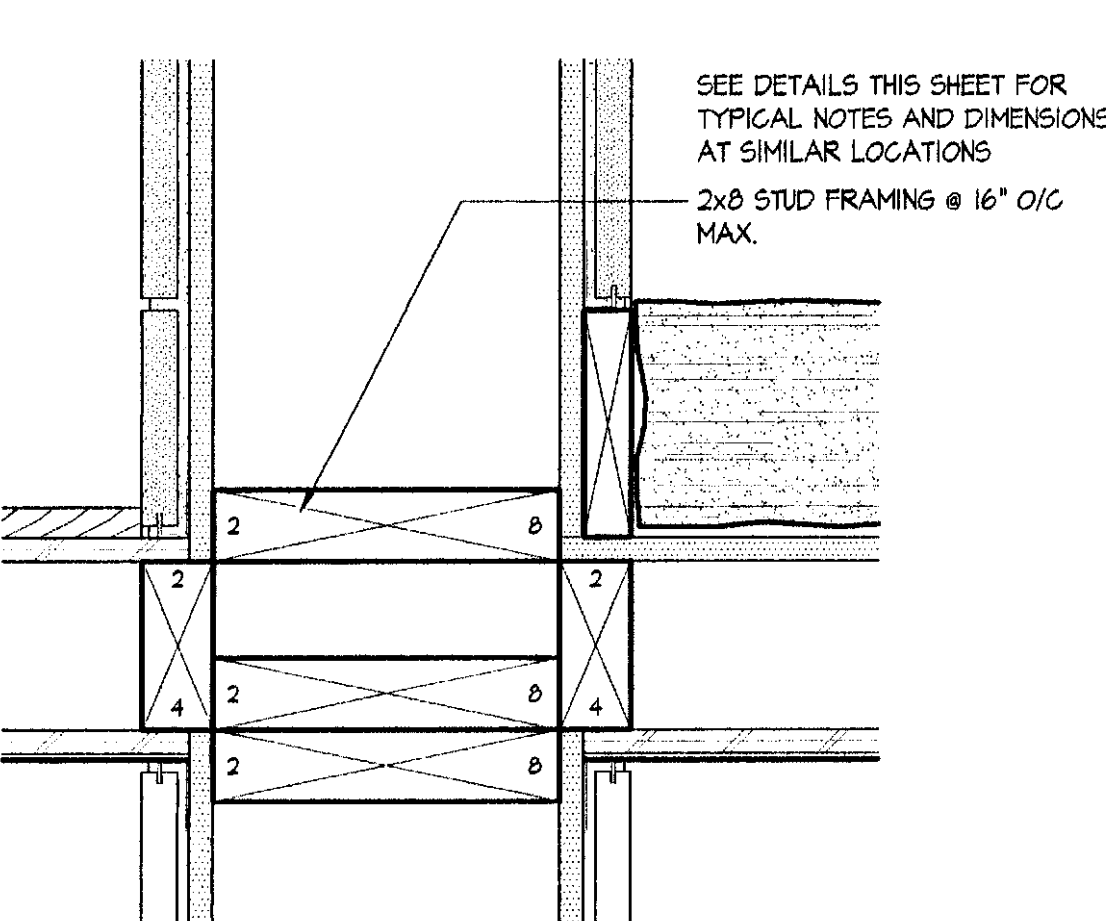
C RECEPTION DESK ELEVATION
 SCALE: 3/8" = 1'-0"
 2003_ELEV-DESK



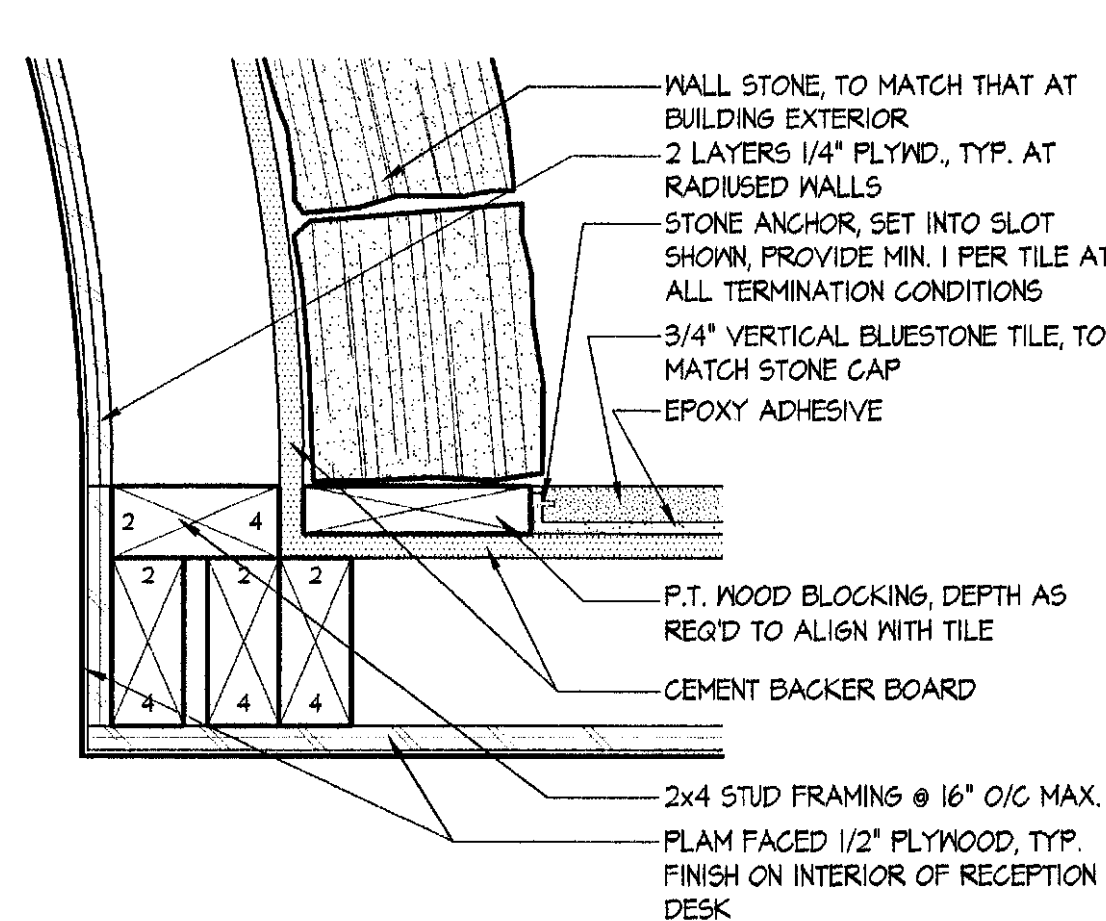
D RECEPTION DESK ELEVATION
 SCALE: 3/8" = 1'-0"
 2003_ELEV-DESK



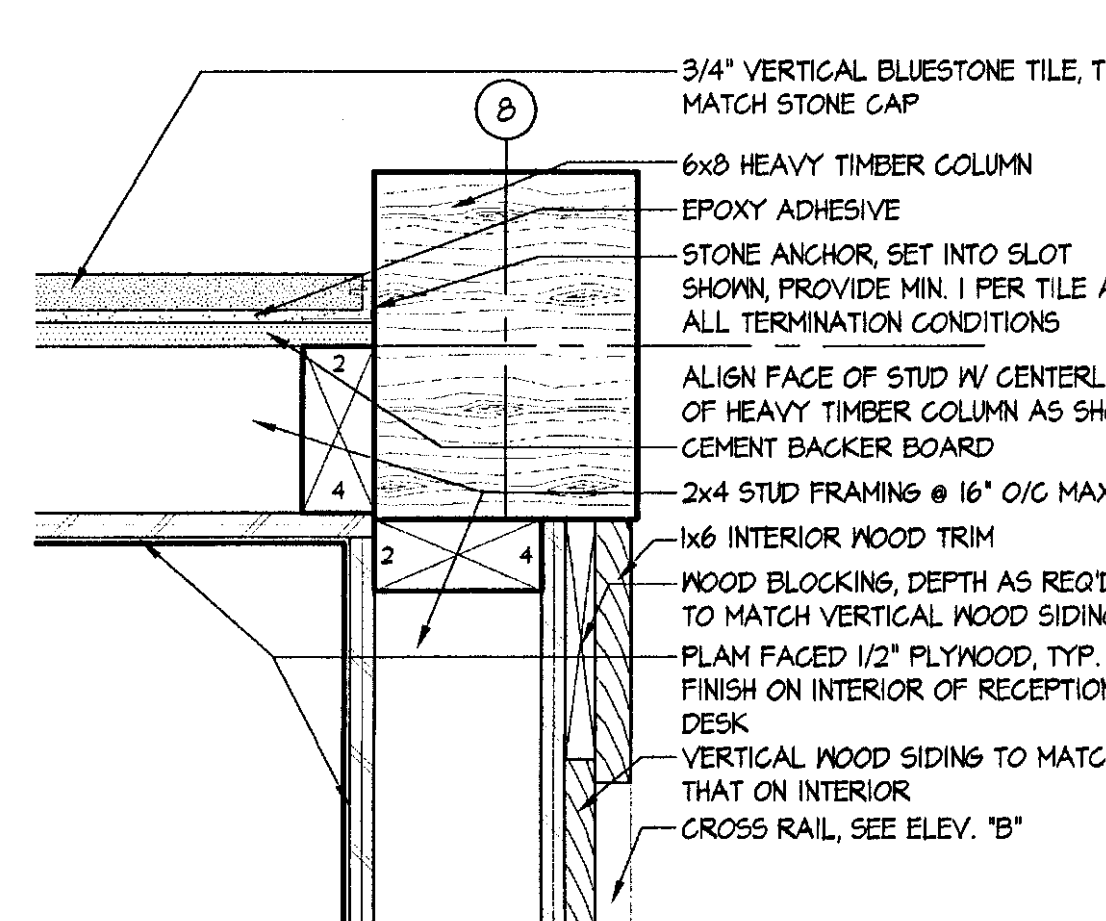
E RECEPTION DESK ELEVATION
 SCALE: 3/8" = 1'-0"
 2003_ELEV-DESK



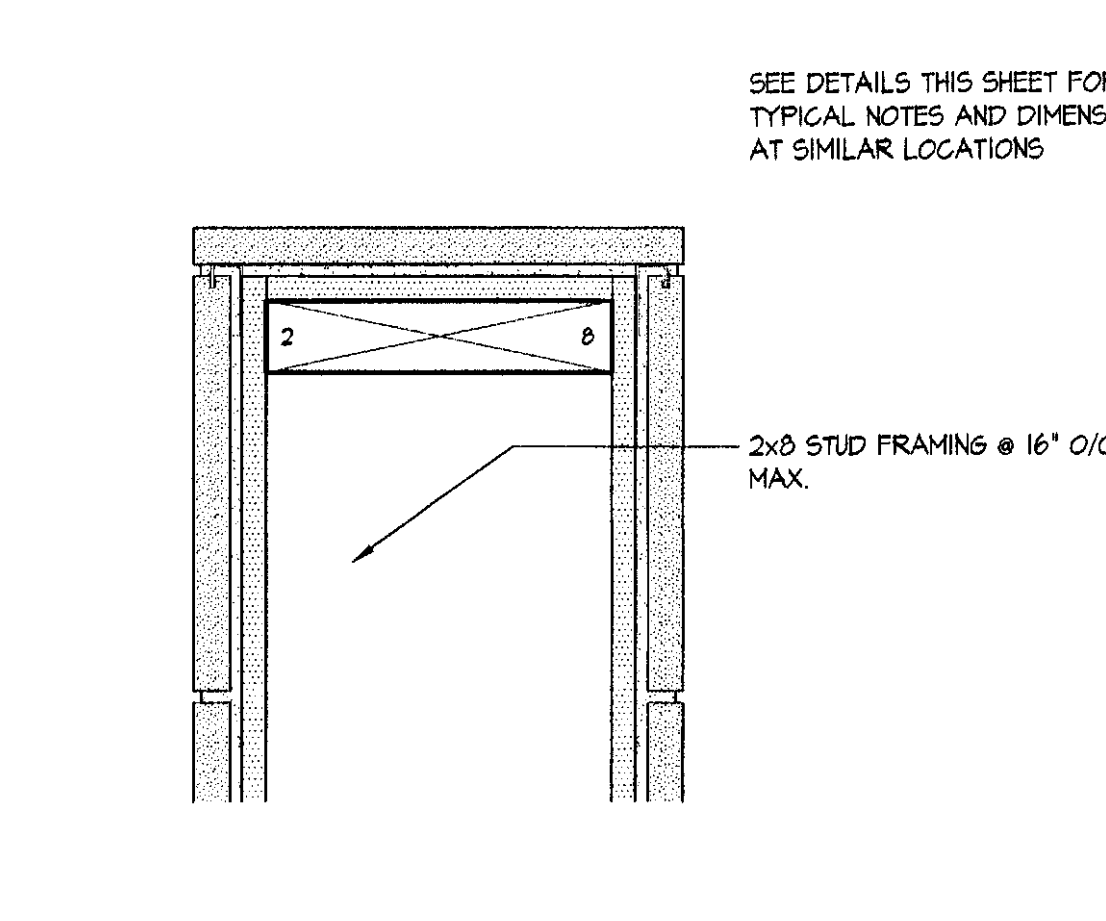
2 RECEPTION DESK DETAIL
 SCALE: 3" = 1'-0"
 2003_DTL-DESK01



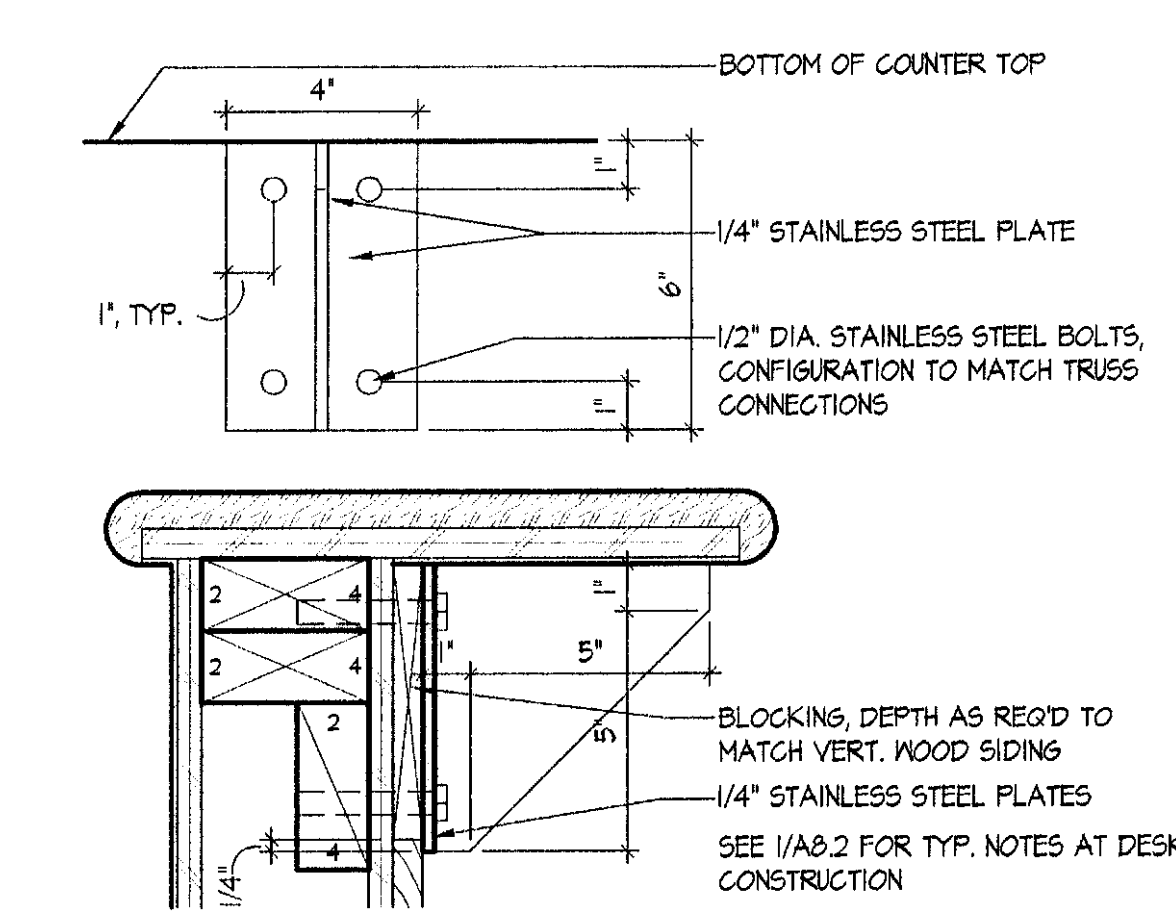
3 RECEPTION DESK DETAIL
 SCALE: 3" = 1'-0"
 2003_DTL-DESK01



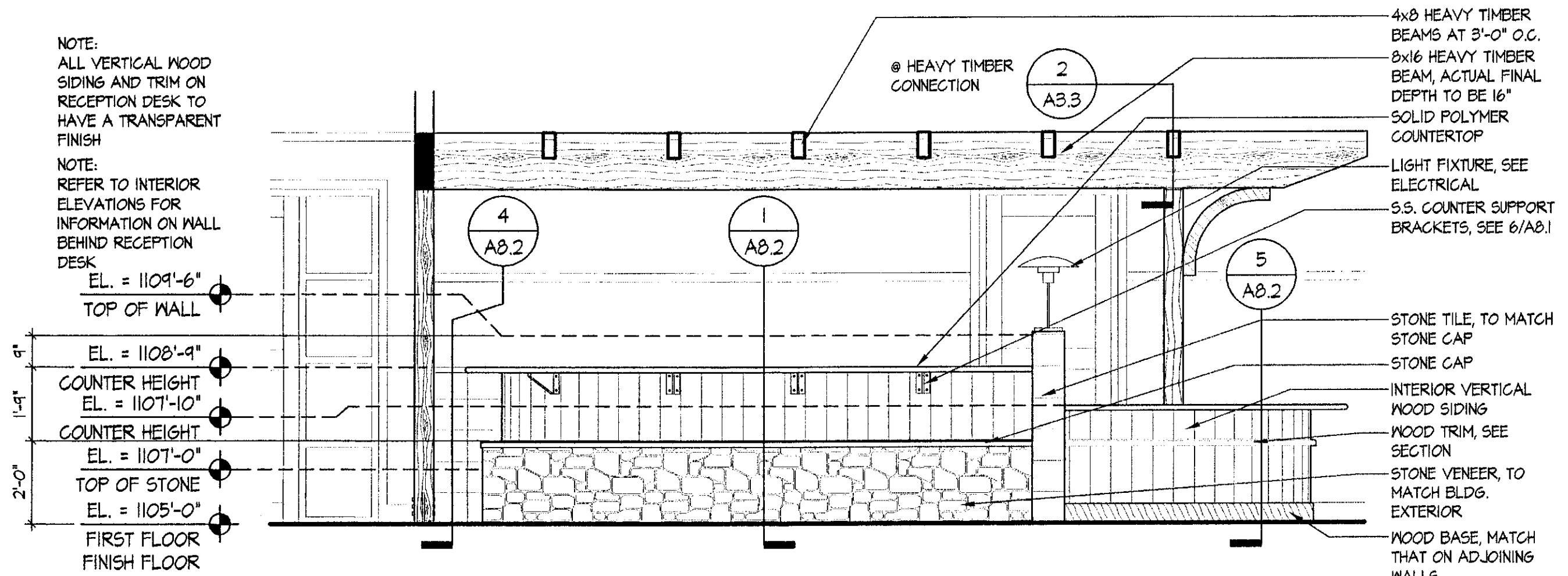
4 RECEPTION DESK DETAIL
 SCALE: 3" = 1'-0"
 2003_DTL-DESK01



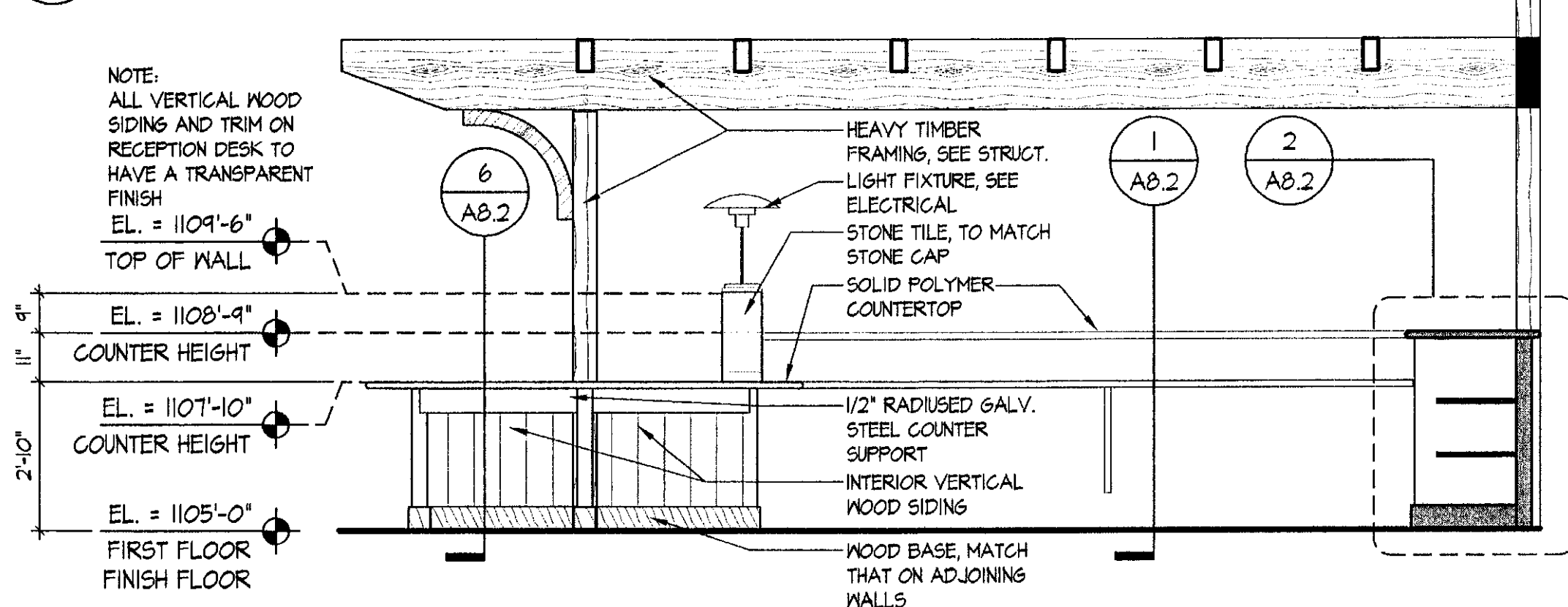
5 TYP. STONE TILE TERMINATION DTL.
 SCALE: 3" = 1'-0"
 2003_DTL-DESK01



6 S.S. BRACKET DETAIL
 SCALE: 3" = 1'-0"
 2003_DTL-DESK01



A RECEPTION DESK ELEVATION
 SCALE: 3/8" = 1'-0"
 2003_ELEV-DESK



B RECEPTION DESK ELEVATION
 SCALE: 3/8" = 1'-0"
 2003_ELEV-DESK

© NORTHERN ARCHITECTS INC. ALL RIGHTS RESERVED 2002