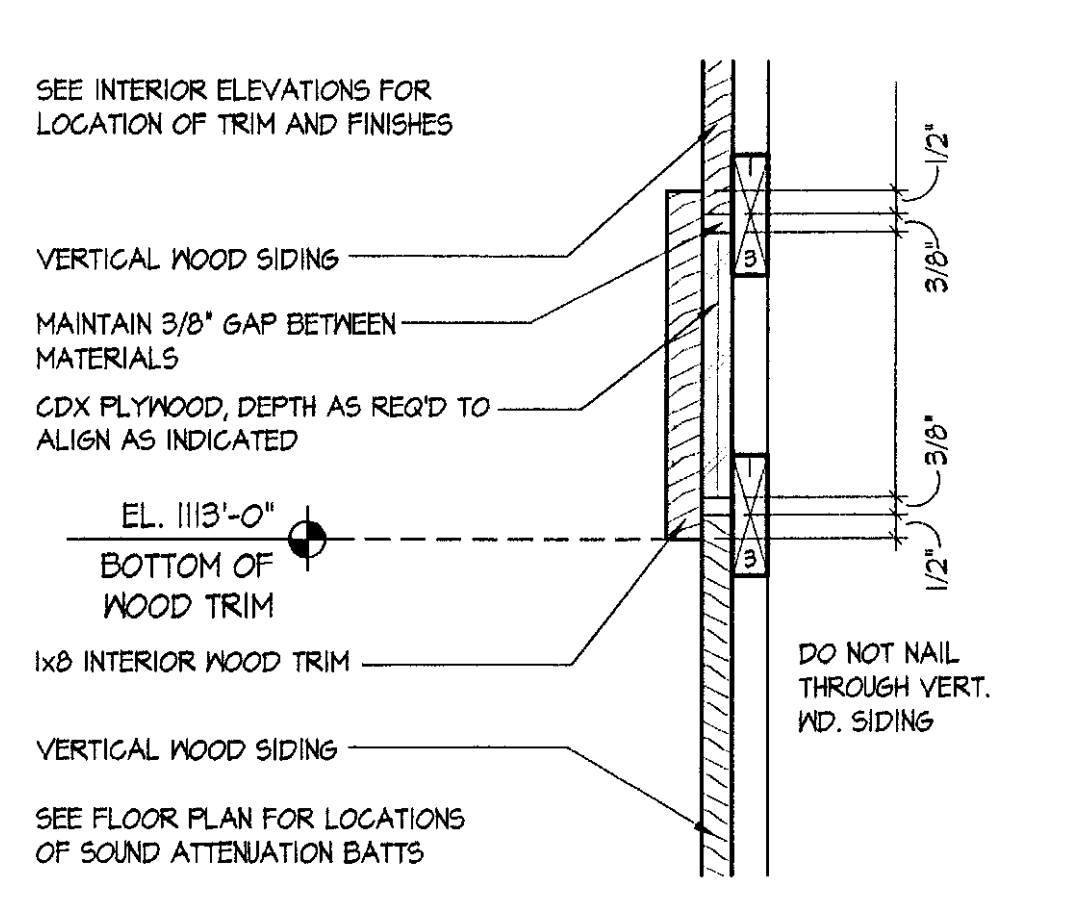
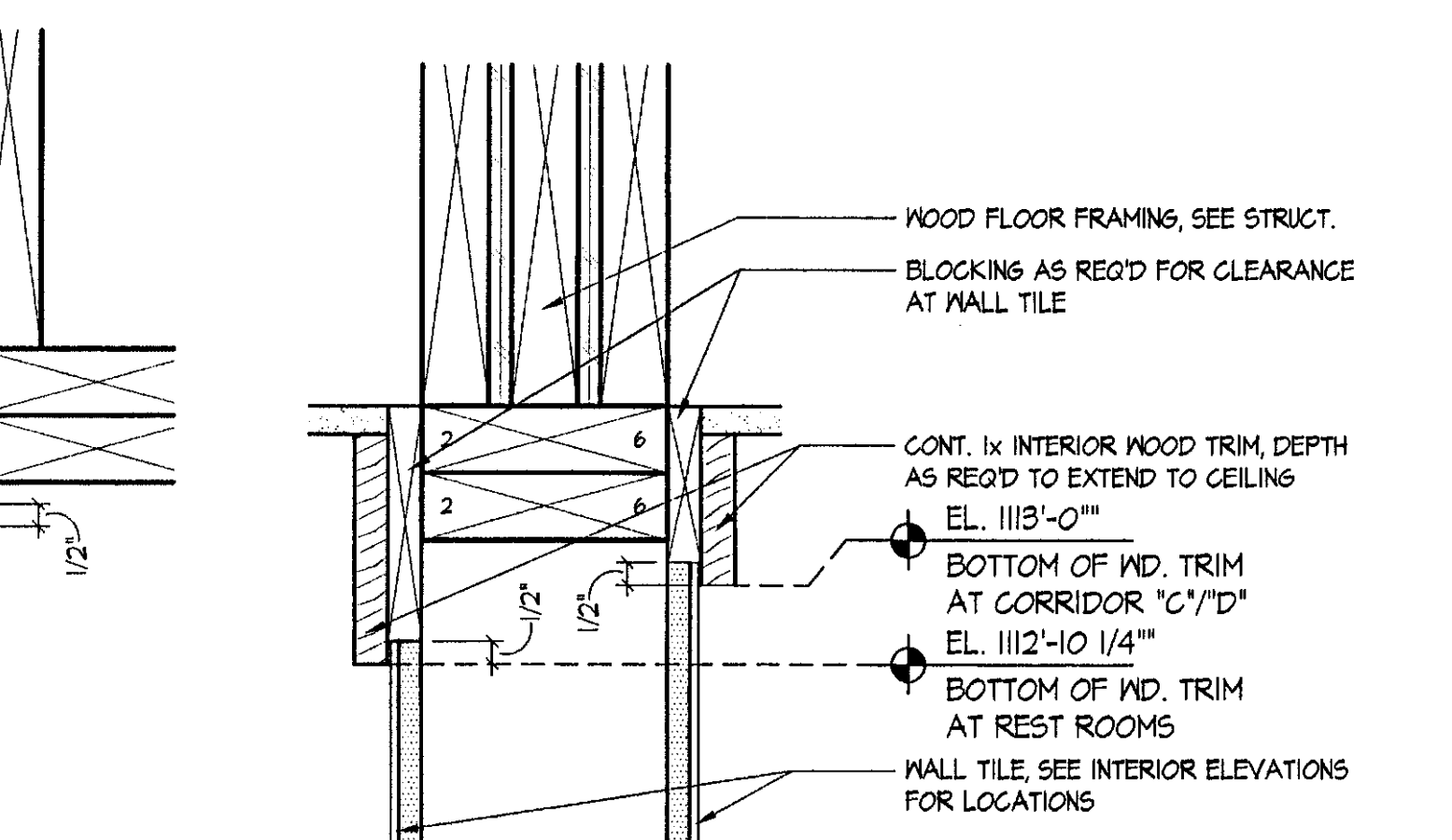
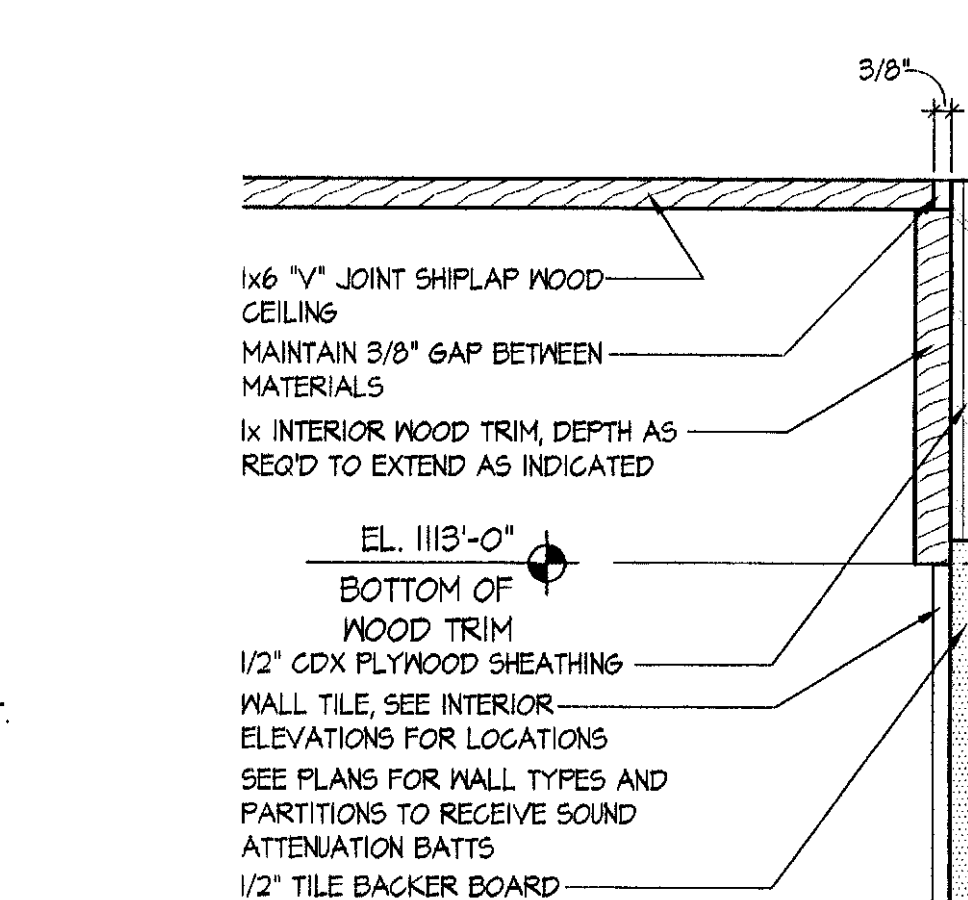
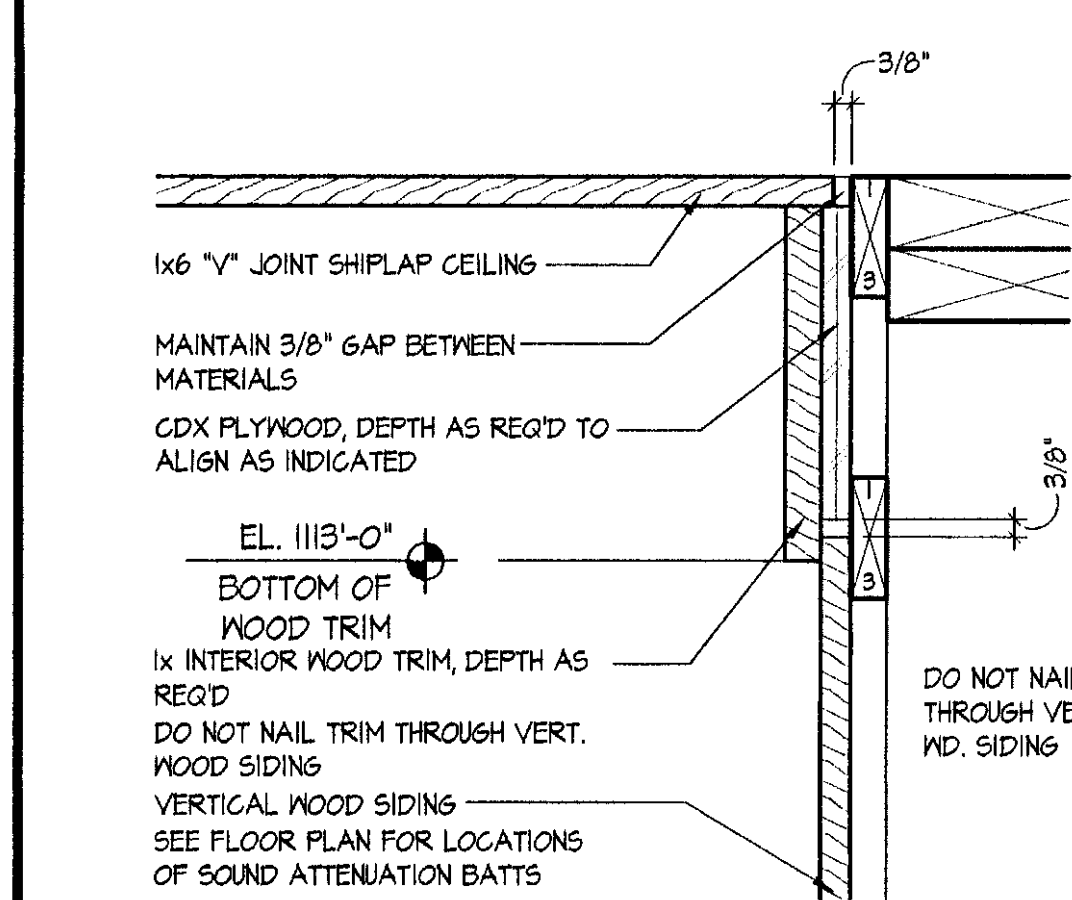


REGISTERED ARCHITECT
ROBERT R. STURTEVANT
No. 1178
OF VERMONT

NORTHERN ARCHITECTS
207 KING STREET
SUITE 3
BURLINGTON, VERMONT
05401-4502
802-658-1953

INTERIOR ELEVATION AT MEN'S #13
SCALE: 1/4" = 1'-0"

2009_ELEV-INT02



- ACCESSORIES LEGEND**
- A WASTE DISPOSAL
 - B ELECTRIC HAND DRYER
 - C ROLL TOWEL DISPENSER
 - D WALL MOUNTED MIRROR
 - E STAINLESS STEEL GRAB BARS
 - F TOILET PAPER HOLDER
 - G NAPKIN DISPOSAL
 - H WALL-MOUNTED, RECESSED, BABY CHANGING STATION
 - J RECESSED NAPKIN/TAMPON VENDOR
 - K WALL-MOUNTED SOAP DISPENSER
 - L BABY CHANGING LINER DISPENSER
 - M UNDER COUNTER WASTE DISPOSAL

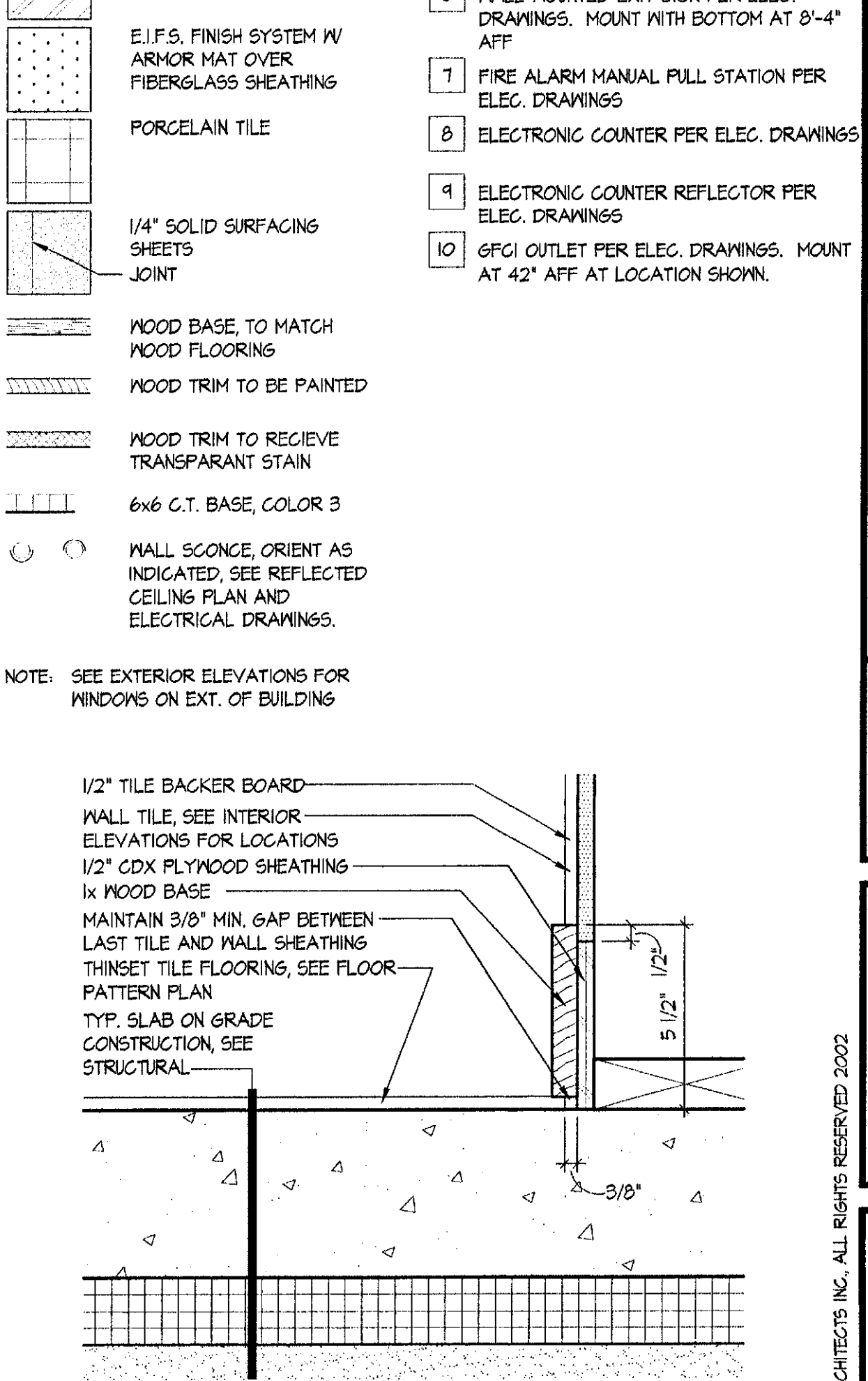
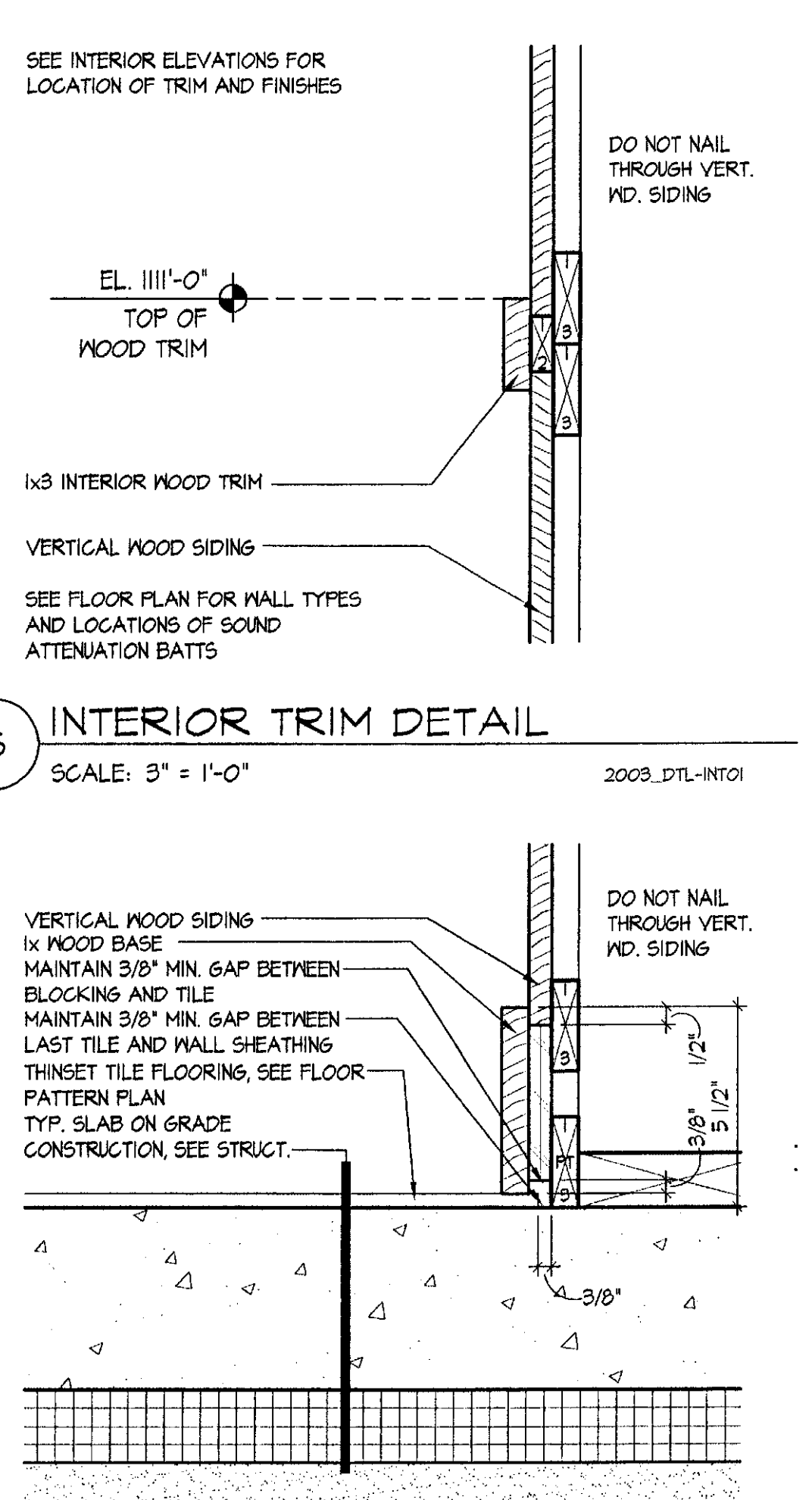
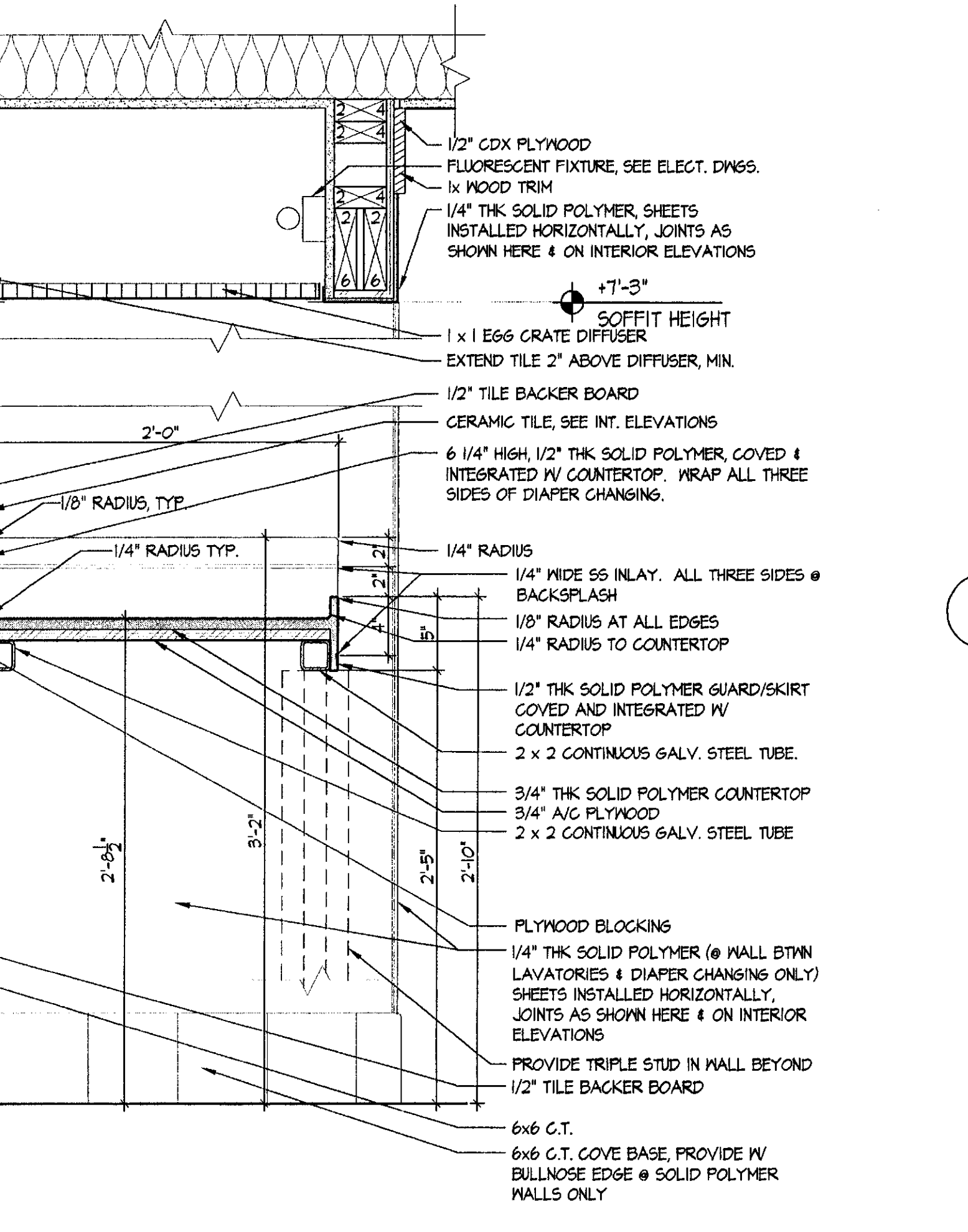
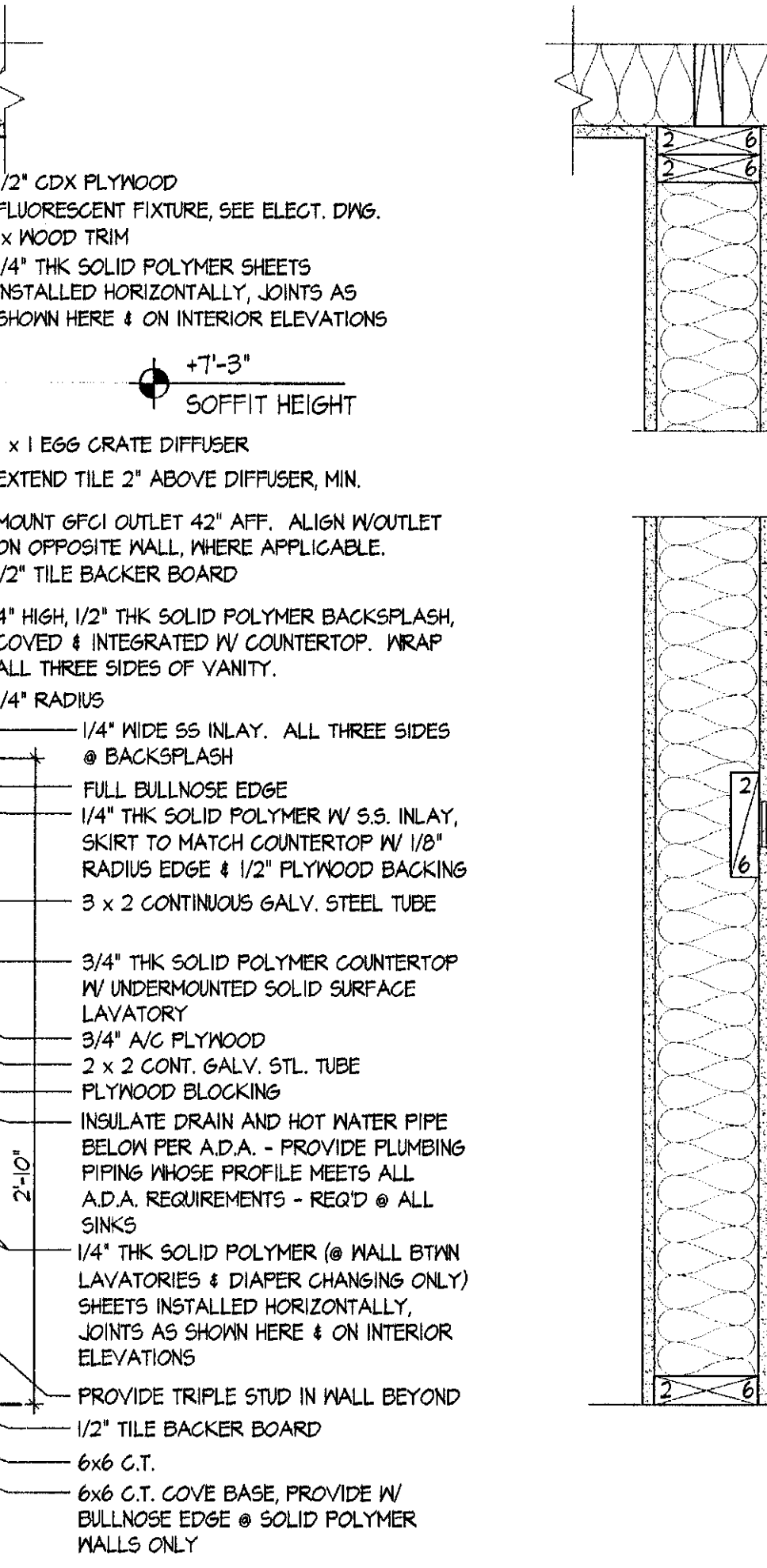
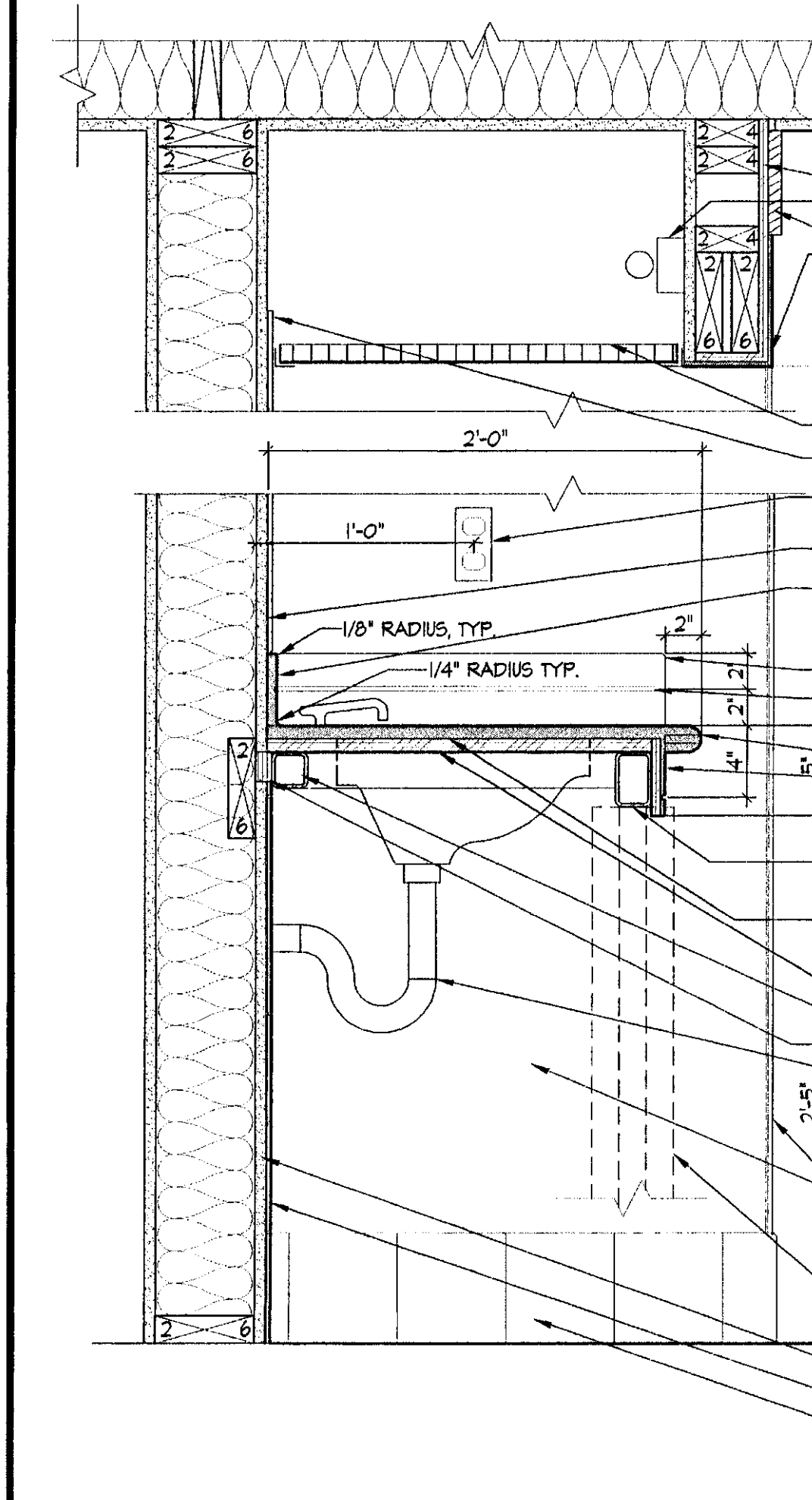
- INTERIOR ELEVATION LEGEND**
- 1 FIRE ALARM VISUAL SIGNAL PER ELEC. DWGS. MOUNT SO BOTTOM OF STROBE LIGHT IS 6'-8" AFF IN LOCATION SHOWN.
 - 2 FIRE ALARM COMBINED AUDIBLE/VISUAL SIGNAL PER ELEC. DWGS. MOUNT SO BOTTOM OF STROBE LIGHT IS 6'-8" AFF IN LOCATION SHOWN.
 - 3 SECURITY CAMERA PER ELEC. DRAWINGS.
 - 4 TEL/DATA OUTLET PER ELEC. DRAWINGS. MOUNT AT 18" AFF AT LOCATION SHOWN.
 - 5 DUPLEX CONVENIENCE OUTLET PER ELEC. DRAWINGS. MOUNT TYPICALLY AT 18" AFF AT LOCATION SHOWN, U.O.N.
 - 6 WALL-MOUNTED EXIT SIGN PER ELEC. DRAWINGS. MOUNT WITH BOTTOM AT 8'-4" AFF
 - 7 FIRE ALARM MANUAL PULL STATION PER ELEC. DRAWINGS
 - 8 ELECTRONIC COUNTER PER ELEC. DRAWINGS
 - 9 ELECTRONIC COUNTER REFLECTOR PER ELEC. DRAWINGS
 - 10 GFCI OUTLET PER ELEC. DRAWINGS. MOUNT AT 42" AFF AT LOCATION SHOWN.

1 INTERIOR CEILING DETAIL
SCALE: 3" = 1'-0"

2 INTERIOR CEILING DETAIL
SCALE: 3" = 1'-0"

3 INTERIOR CEILING DETAIL
SCALE: 3" = 1'-0"

4 INTERIOR TRIM DETAIL
SCALE: 3" = 1'-0"



8 WASHROOM LAVATORY COUNTER & SOFFIT DETAILS
SCALE: 1 1/2" = 1'-0"

9 DIAPER CHANGING COUNTER & SOFFIT DETAILS
SCALE: 1 1/2" = 1'-0"

6 INT. BASE DETAIL TYP. @ C.T. FLR.
SCALE: 3" = 1'-0"

7 INTERIOR BASE DETAIL
SCALE: 3" = 1'-0"

CONSULTANTS

CIVIL
KREBS AND LANSING
10 Main Street
Colchester VT 05446
(802)-876-0375

LANDSCAPE ARCHITECT
OHKW
1 Morris Ave.
Burlington VT 05401
(802)-864-0010

STRUCTURAL
RICHARD M. DOHERTY, P.E.
17 St. Paul Street
Burlington VT 05401
(802)-860-4212

PLUMBING, MECHANICAL, AND ELECTRICAL
DUFFRENE AND HENRY
Precision Park
North Springfield VT 05150-0024
(802)-886-2261

REVISIONS

PROJECT

DERBY WELCOME CENTER
PROJECT #101 091-3(8)

NEW FACILITY

DERBY VERMONT

DATE: 01/01/2002

SCALE: AS NOTED

CHECKED: HS

PROJECT NO: 2009

INTERIOR ELEVATIONS - RESTROOMS SECTIONS, AND DETAILS

A7.4

© NORTHERN ARCHITECTS INC. ALL RIGHTS RESERVED 2002