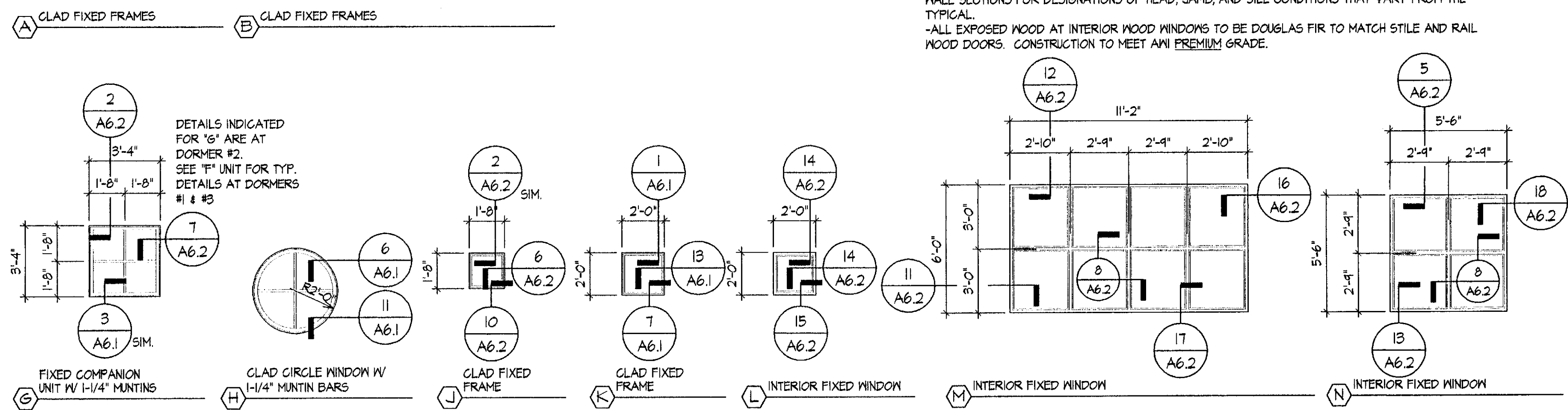
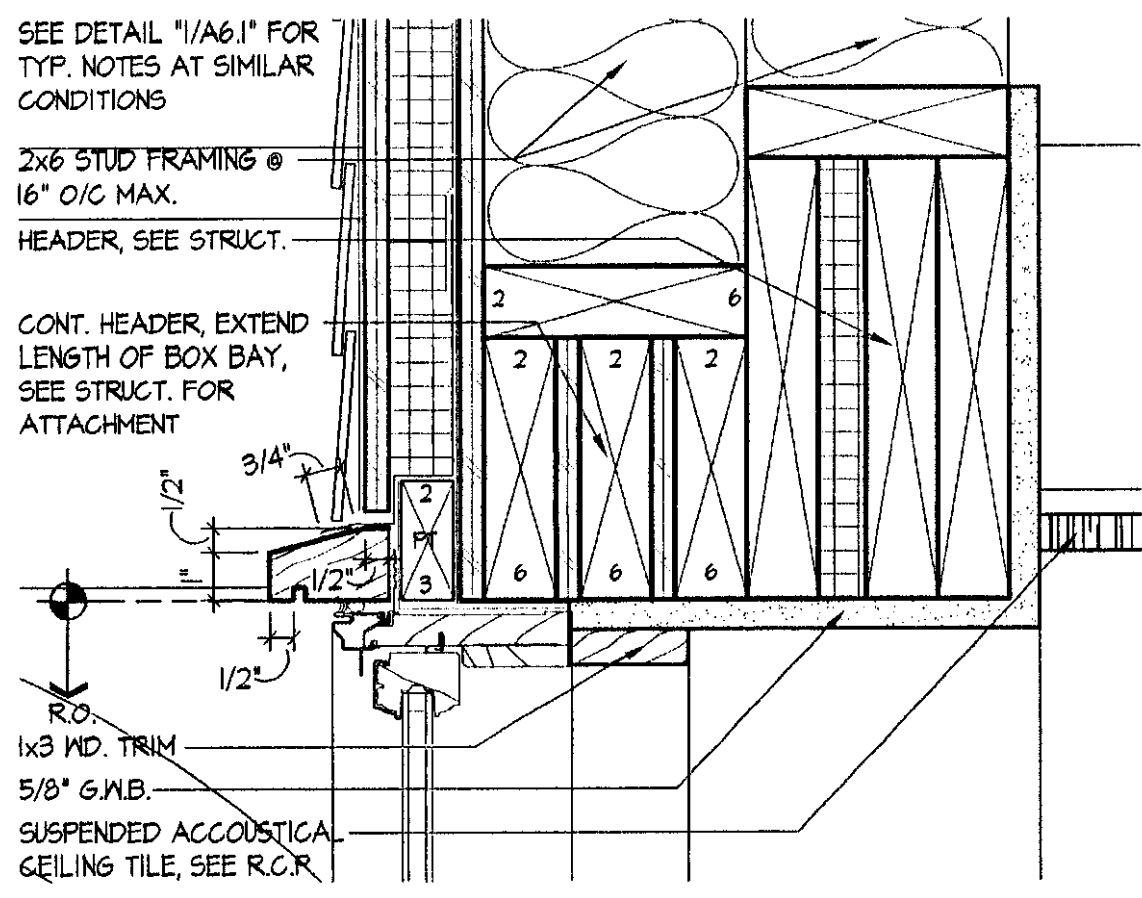


WINDOW NOTES:
 -ALL OVERALL DIMENSIONS INDICATE ROUGH OPENINGS. REFER TO DETAILS INDICATED FOR LOCATION OF ROUGH OPENING.
 -ALL INTERMEDIATE DIMENSIONS ARE TO THE CENTERLINE OF UNIT TO UNIT CONNECTION, OR CENTERLINE OF MUNTIN BAR.
 -DETAILS SHOWN ON WINDOW ELEVATION INDICATE STANDARD DETAILS. REFER TO BUILDING AND WALL SECTIONS FOR DESIGNATIONS OF HEAD, JAMB, AND SILL CONDITIONS THAT VARY FROM THE TYPICAL.
 -ALL EXPOSED WOOD AT INTERIOR WOOD WINDOWS TO BE DOUGLAS FIR TO MATCH STYLE AND RAIL WOOD DOORS. CONSTRUCTION TO MEET ANI PREMIUM GRADE.

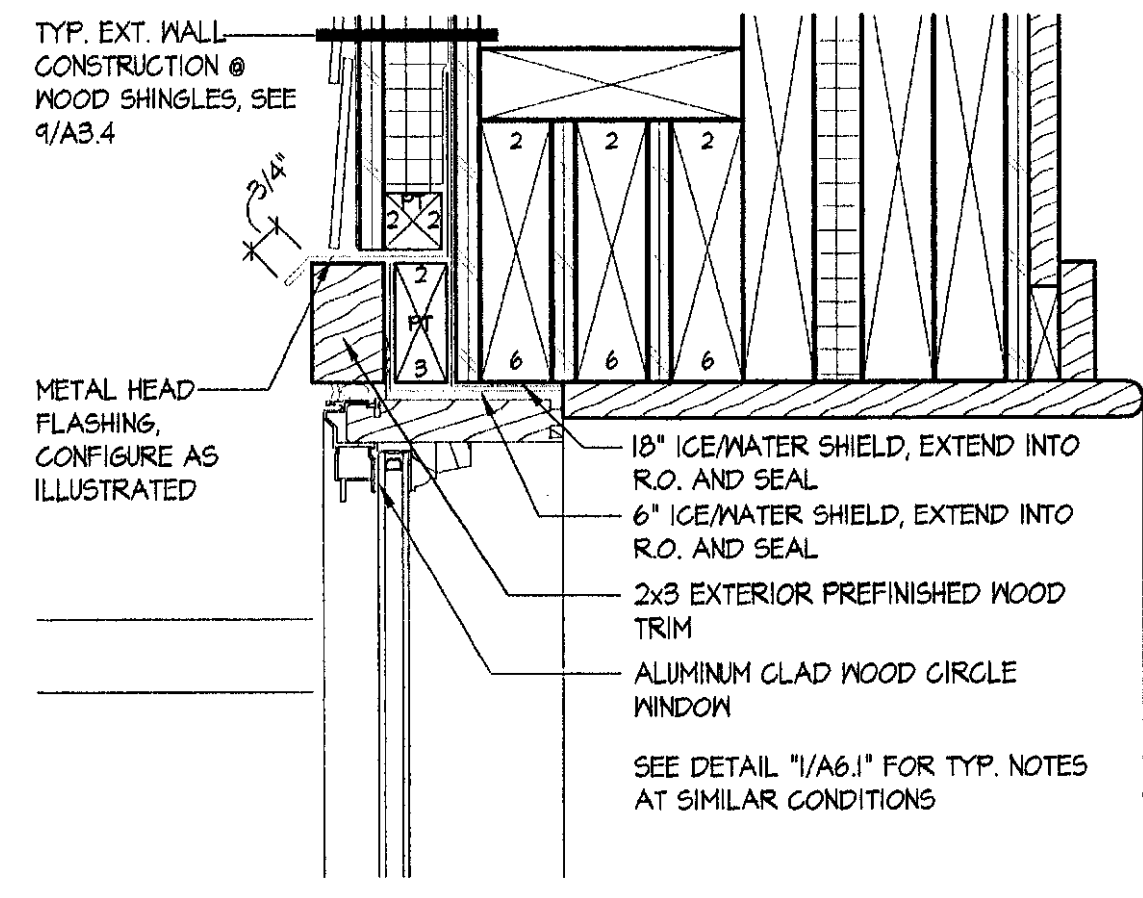


WINDOW TYPES

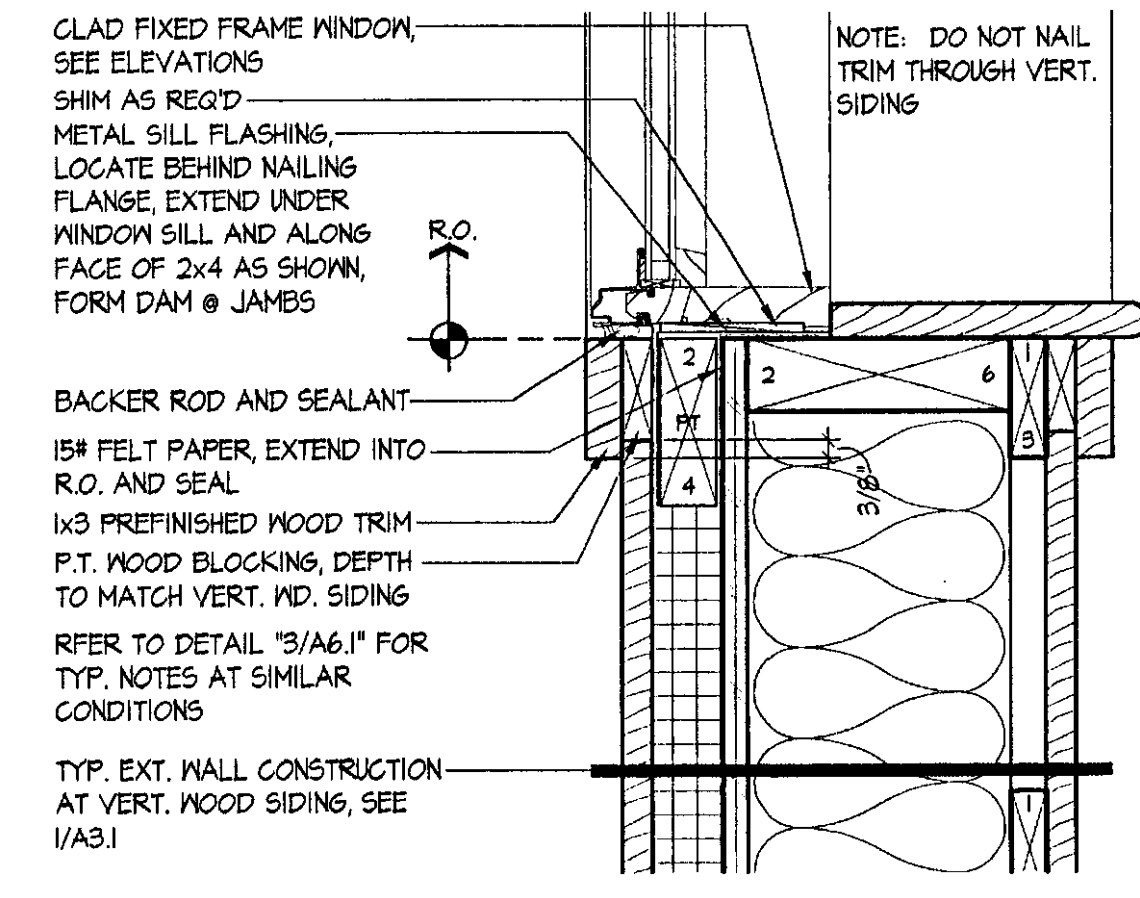
SCALE: 1/4" = 1'-0" 2009_ELEV-WINDOW



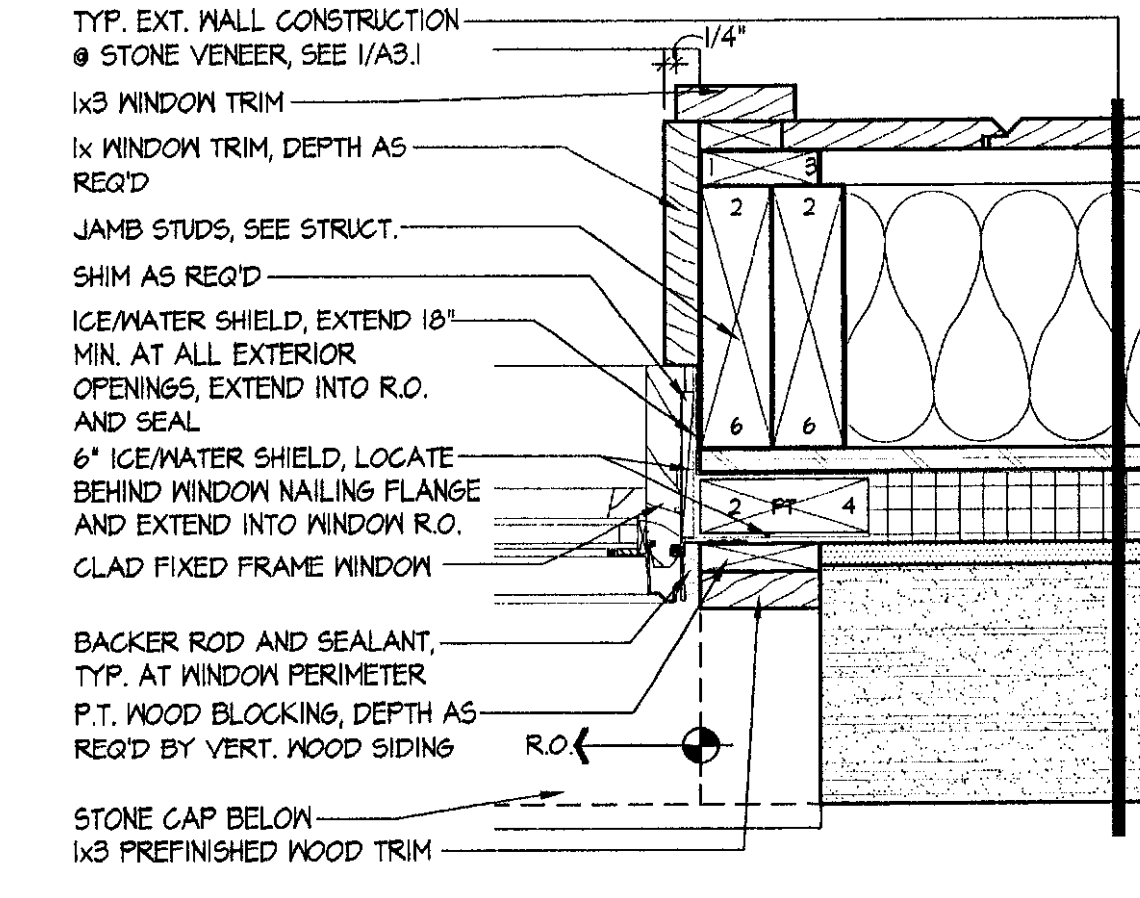
5 DBL. HUNG HEAD DTL. @ OFFICE
 SCALE: 3" = 1'-0" 2009_B501



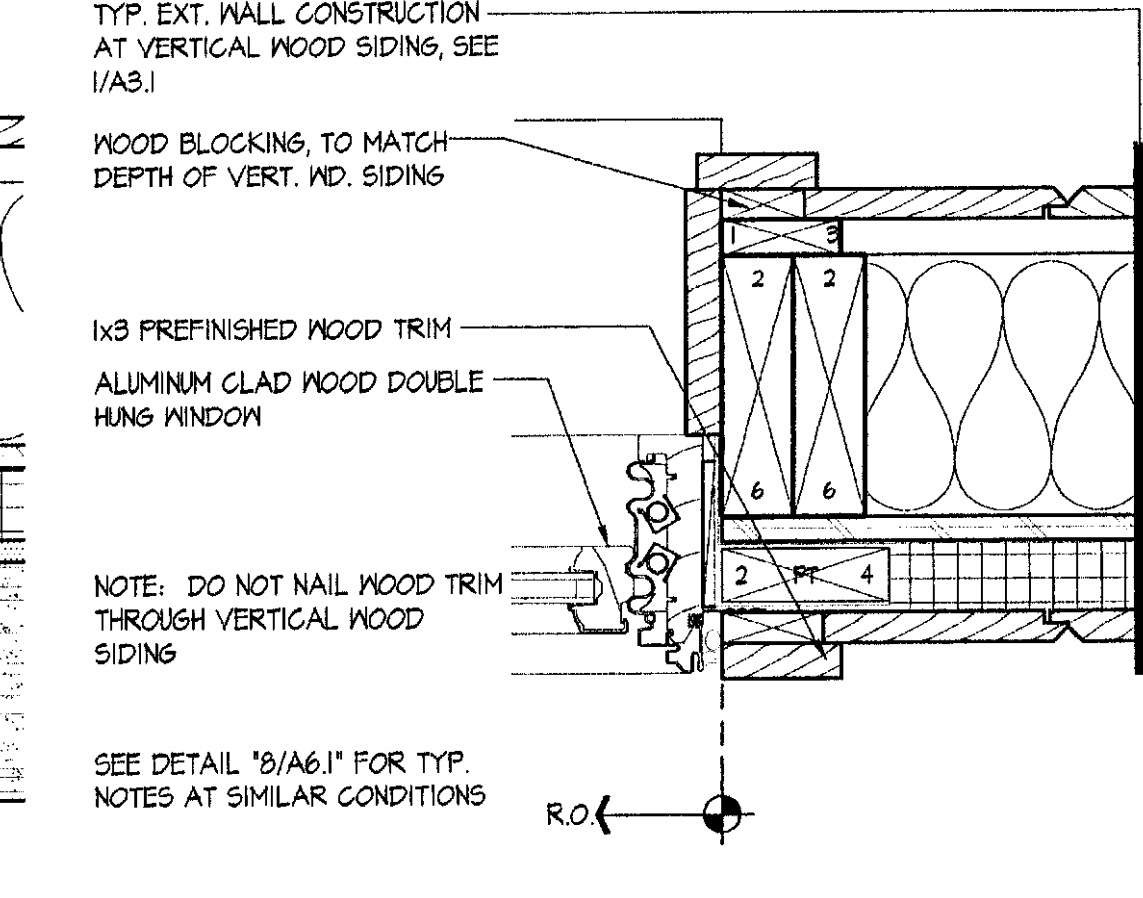
6 CIRCLE WINDOW TOP HALF
 SCALE: 3" = 1'-0" 2009_M501



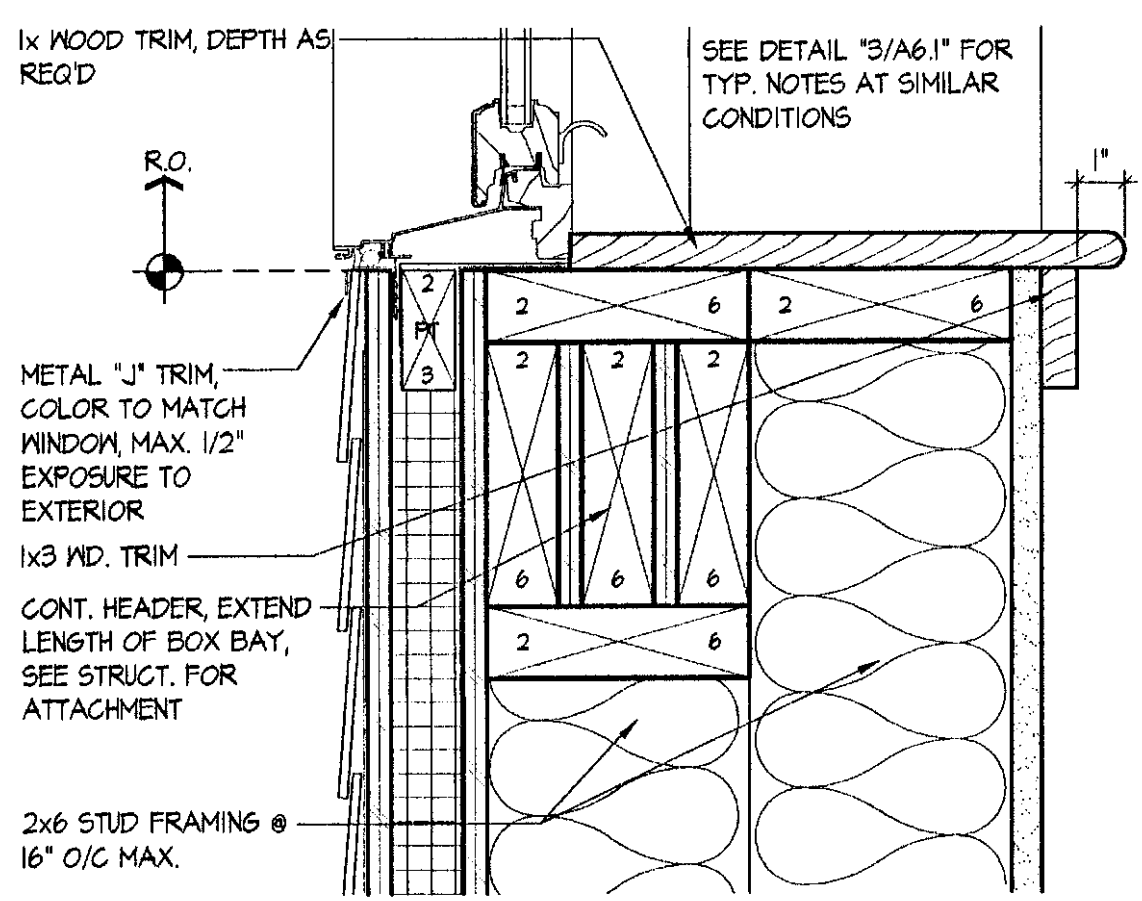
7 CLAD FRAME SILL DETAIL
 SCALE: 3" = 1'-0" 2009_B501



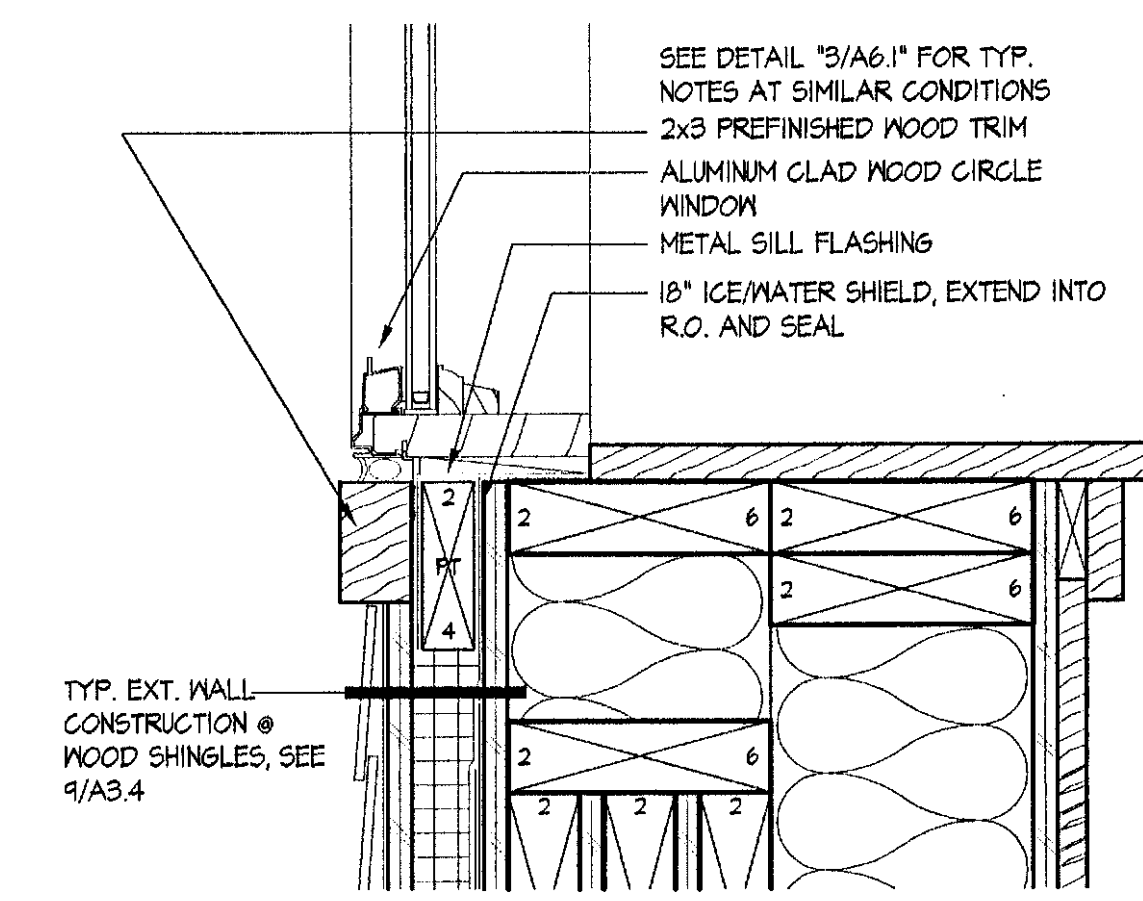
8 CLAD FRAME JAMB DTL. @ STONE
 SCALE: 3" = 1'-0" 2009_DTL-WINDOW1



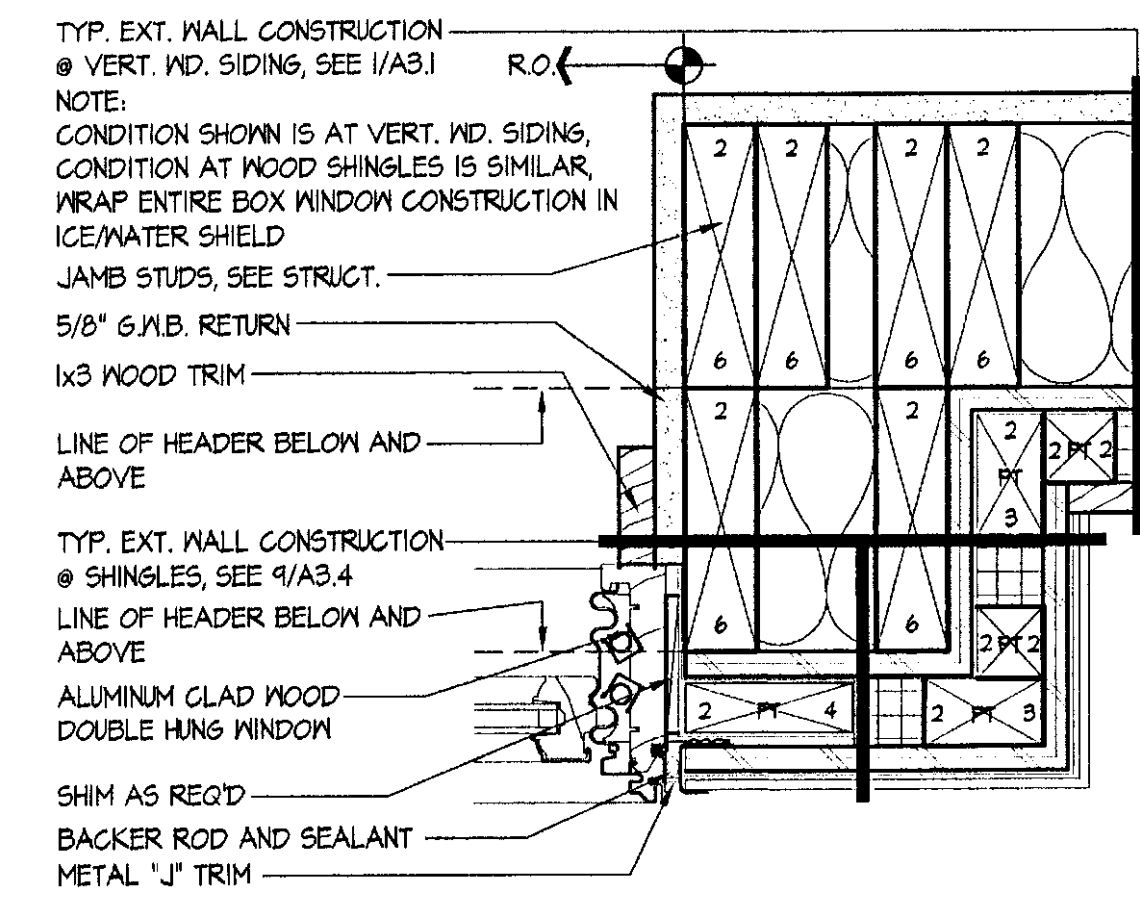
9 DBL. HUNG JAMB DTL./VERT. WD.
 SCALE: 3" = 1'-0" 2009_DTL-WINDOW1



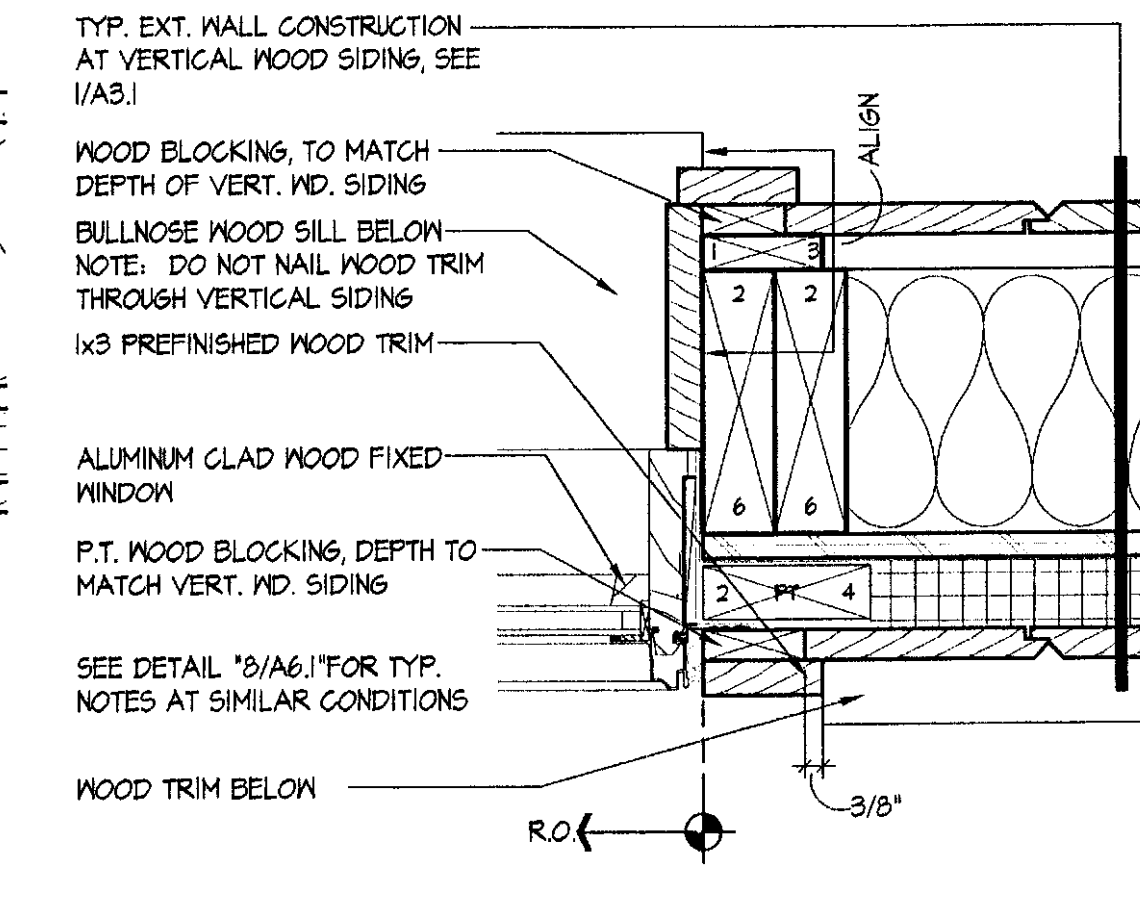
10 DBL. HUNG SILL DTL. @ OFFICE
 SCALE: 3" = 1'-0" 2009_B501



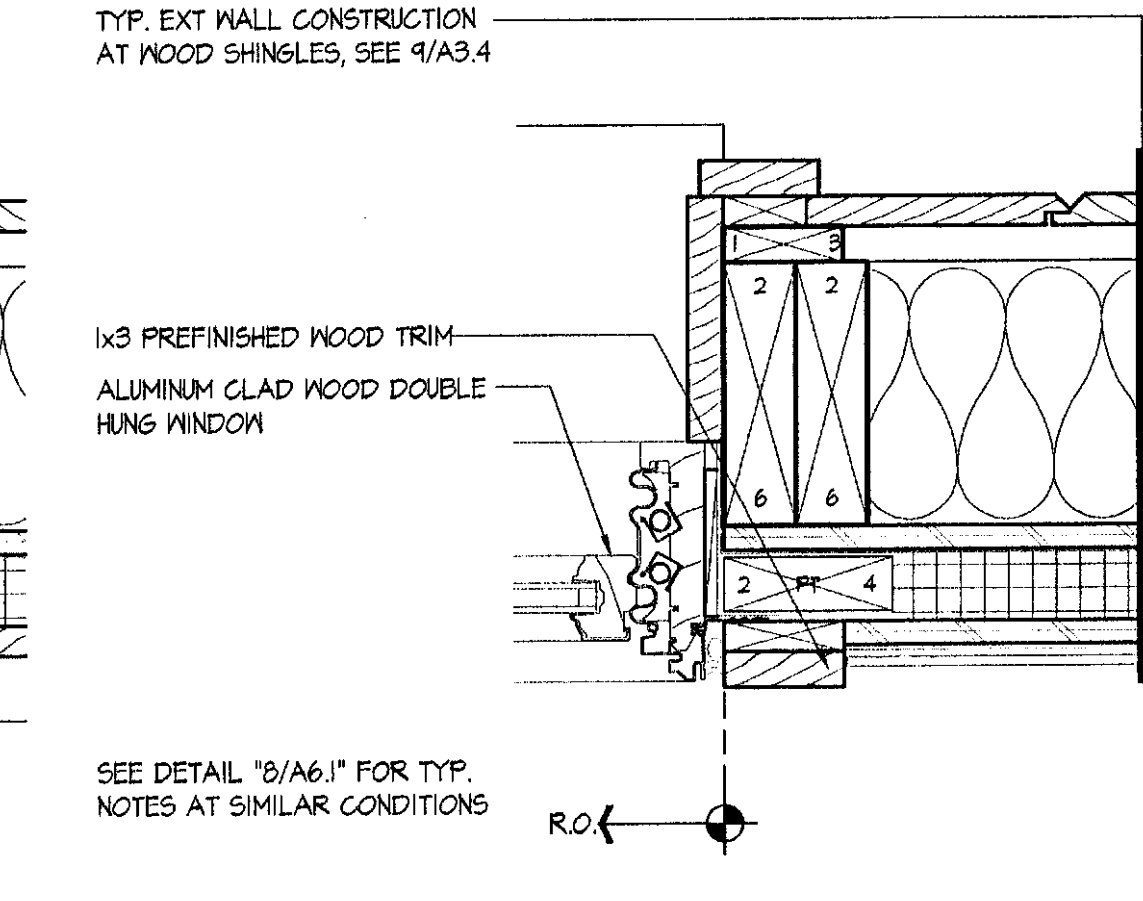
11 CIRCLE WINDOW BOTTOM HALF
 SCALE: 3" = 1'-0" 2009_M501



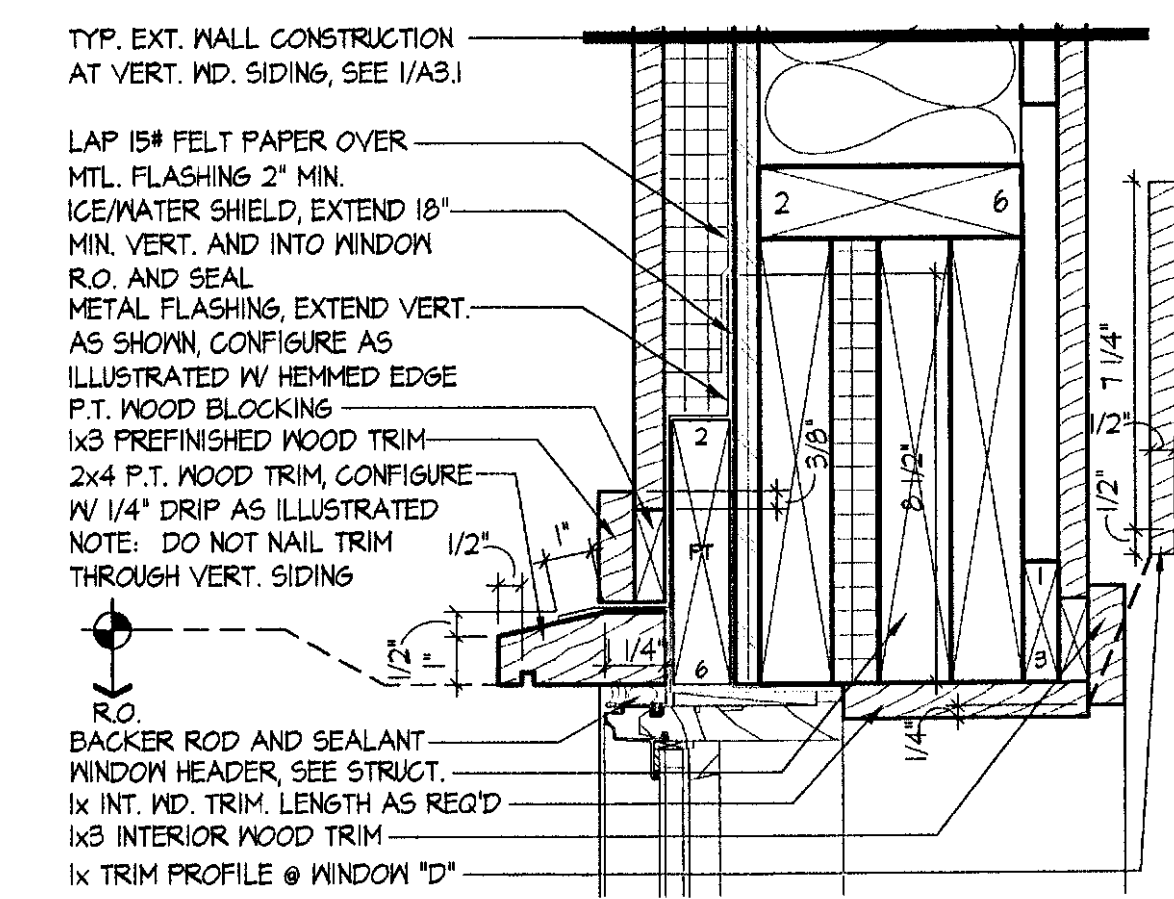
12 DBL. HUNG JAMB DTL. @ OFFICE
 SCALE: 3" = 1'-0" 2009_DTL-WINDOW1



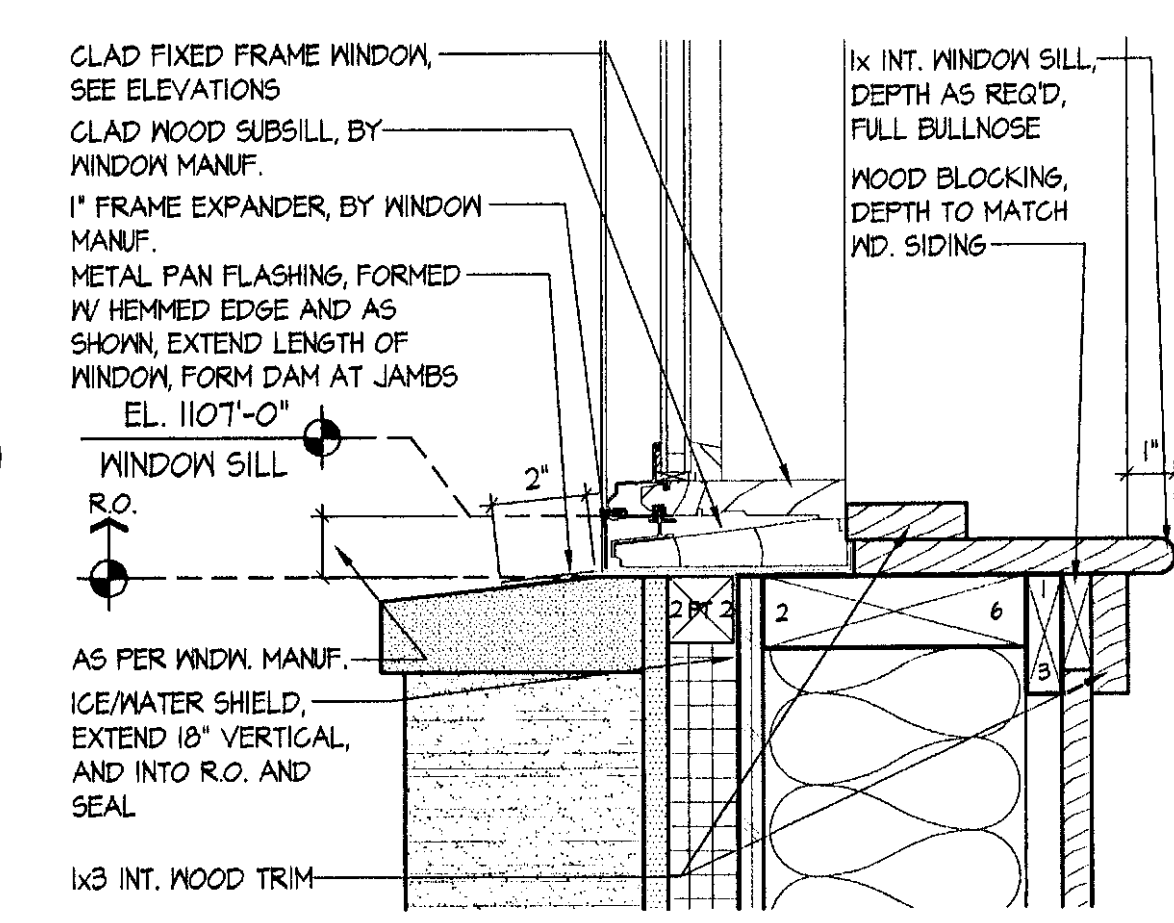
13 CLAD FRAME JAMB DTL./VERT. WD.
 SCALE: 3" = 1'-0" 2009_DTL-WINDOW1



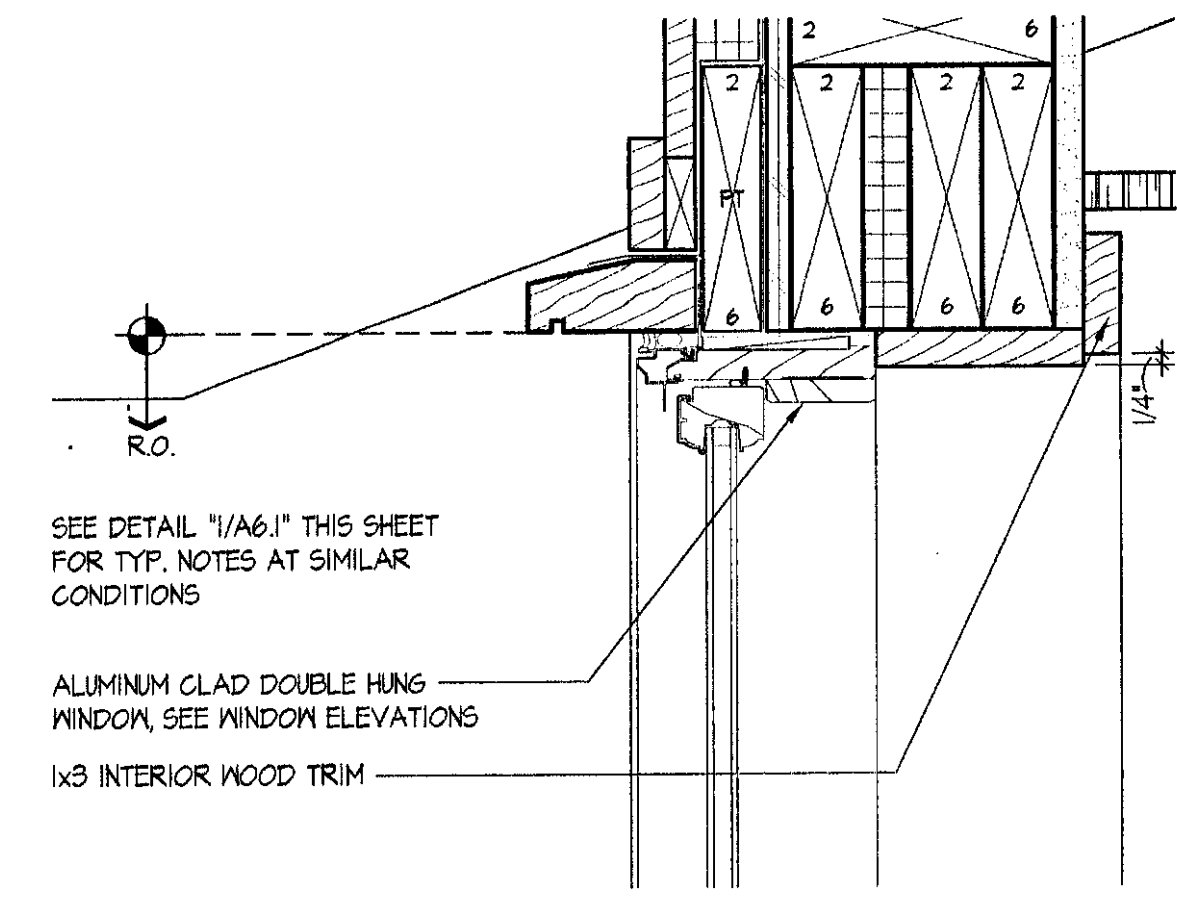
14 DBL. HUNG JAMB DTL. @ SHINGLES
 SCALE: 3" = 1'-0" 2009_DTL-WINDOW1



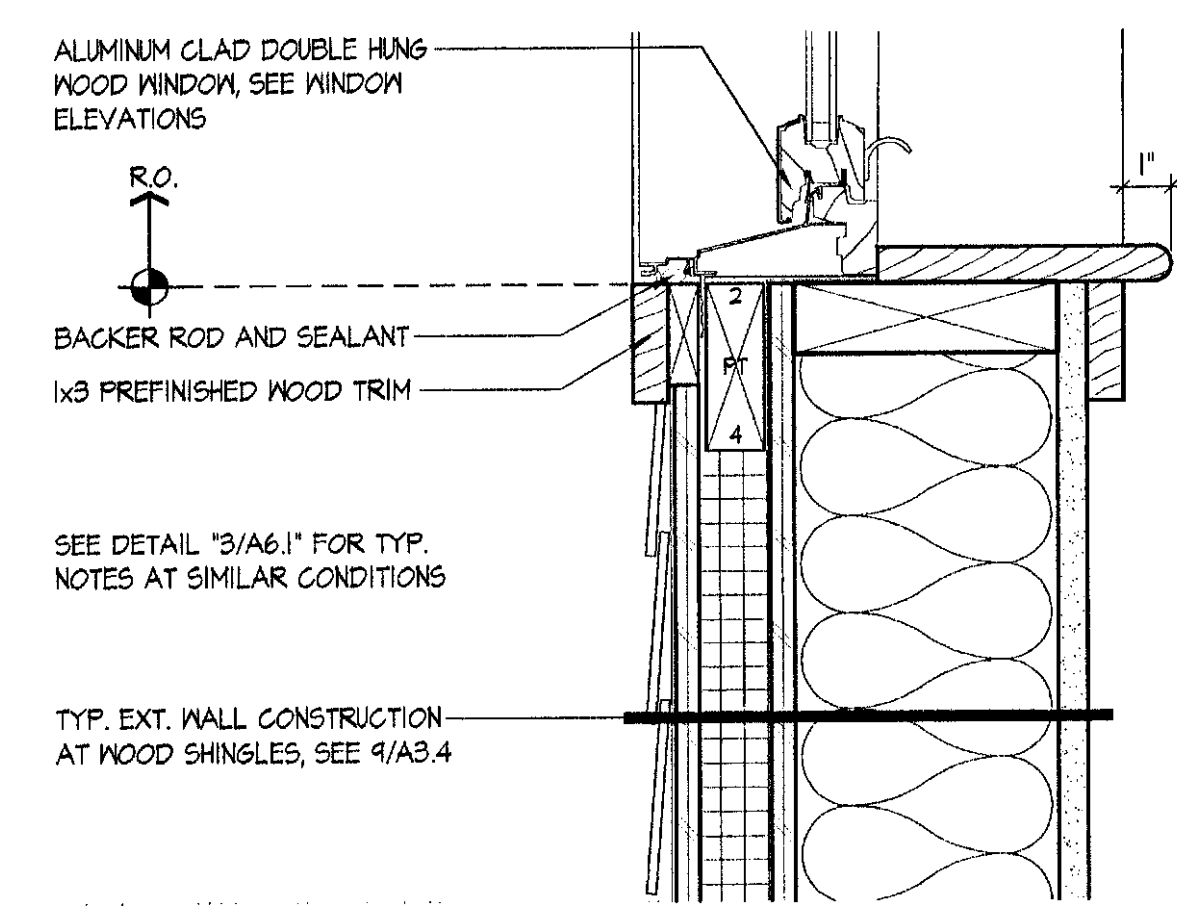
1 TYP. CLAD FRAME HEAD DETAIL
 SCALE: 3" = 1'-0" 2009_B501



3 TYP. CLAD FRAME SILL DETAIL
 SCALE: 3" = 1'-0" 2009_DTL-WINDOW1



2 TYP. DOUBLE HUNG HEAD DETAIL
 SCALE: 3" = 1'-0" 2009_B502



4 TYP. DOUBLE HUNG SILL DETAIL
 SCALE: 3" = 1'-0" 2009_B502



NORTHERN ARCHITECTS
 207 KING STREET
 SUITE 3
 BURLINGTON, VERMONT
 05401-4502
 802-658-1953

CONSULTANTS
 CIVIL
 KREBS AND LANSING
 10 Main Street
 Colchester VT 05446
 (802)-978-0375
 LANDSCAPE ARCHITECT
OHKW
 1 Morris Ave.
 Burlington VT 05401
 (802)-864-0010
 STRUCTURAL
 RICHARD M. DOHERTY, P.E.
 17 St. Paul Street
 Burlington VT 05401
 (802)-660-4212
 PLUMBING, MECHANICAL,
 AND ELECTRICAL
 DUFRESNE AND HENRY
 Precision Park
 North Springfield VT 05150-0024
 (802)-886-2261

REVISIONS

PROJECT
DERBY WELCOME CENTER
 PROJECT #101 091-3(8)
 NEW FACILITY
 DERBY VERMONT

DATE: 01/07/2002
 SCALE: AS NOTED
 CHECKED: HS
 PROJECT NO: 2003

WINDOW TYPES AND DETAILS

A6.1

© NORTHERN ARCHITECTS, INC. ALL RIGHTS RESERVED 2002