

NORTHERN ARCHITECTS
 207 KING STREET
 SUITE 3
 BURLINGTON, VERMONT
 05401-4502
 802-658-1953

CONSULTANTS
 CIVIL
 KREBS AND LANGING
 10 Main Street
 Colchester VT 05446
 (802)-878-0275
 LANDSCAPE ARCHITECT
OHKW
 OFFICE OF OLIVER HENNING KUNZ
 7 Morris Ave
 Burlington VT 05401
 (802)-864-0010
 STRUCTURAL
 RICHARD M. DOHERTY, P.E.
 171 St. Paul Street
 Burlington VT 05401
 (802)-660-4212
 PLUMBING, MECHANICAL
 AND ELECTRICAL
 DUPRESNE AND HENRY
 Precision Park
 North Springfield VT 05150-0024
 (802)-886-2261

REVISIONS

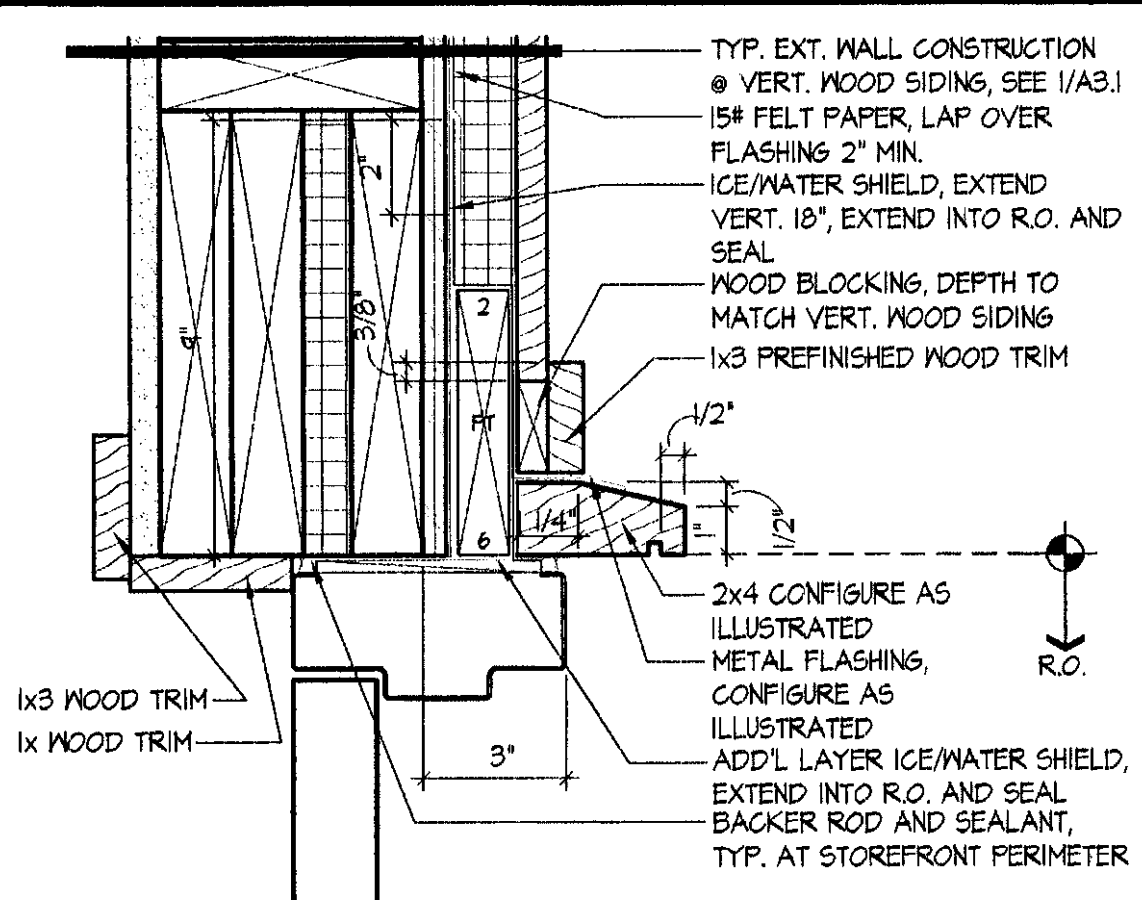
PROJECT
DERBY WELCOME CENTER
 PROJECT #101-3(8)
 NEW FACILITY
 DERBY VERMONT

DATE: 01/07/2002
 SCALE: AS NOTED
 CHECKED: HS
 PROJECT NO.: 2003

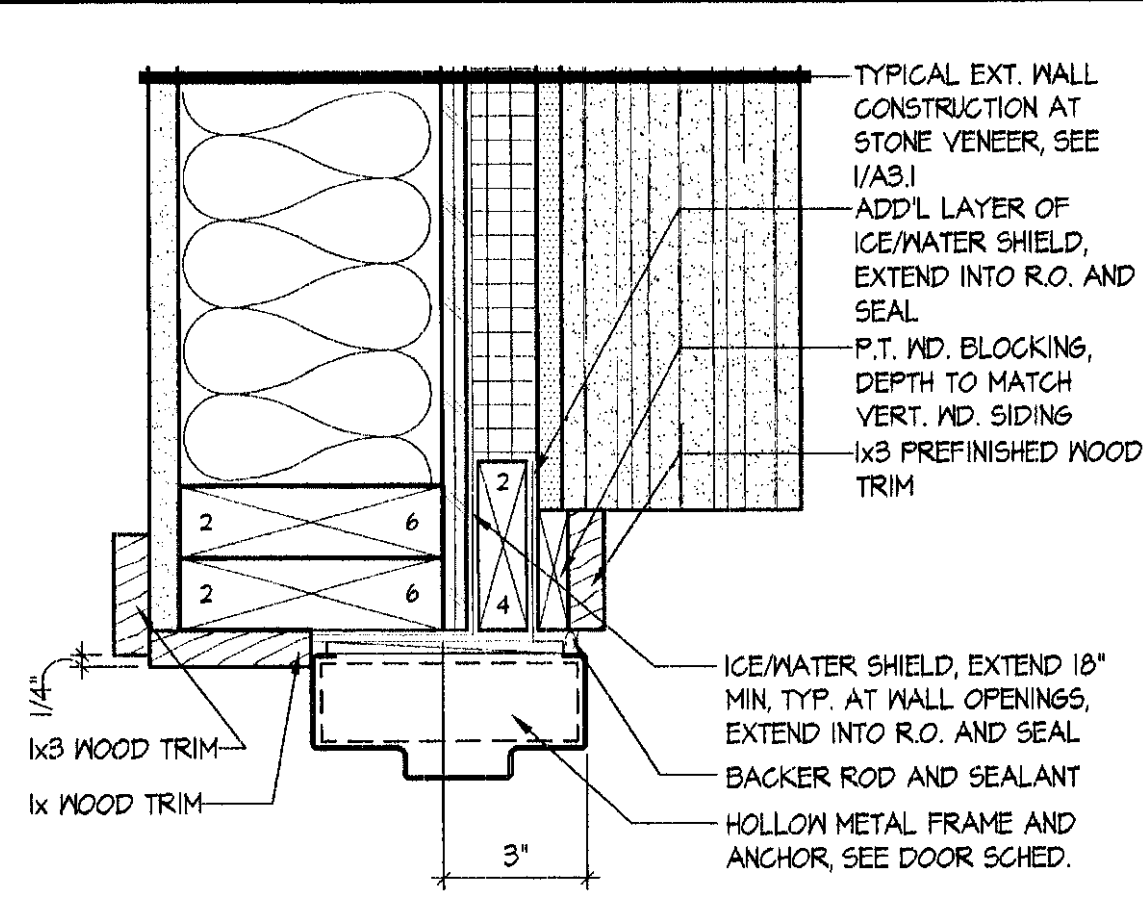
HOLLOW METAL DOOR DETAILS

A5.5

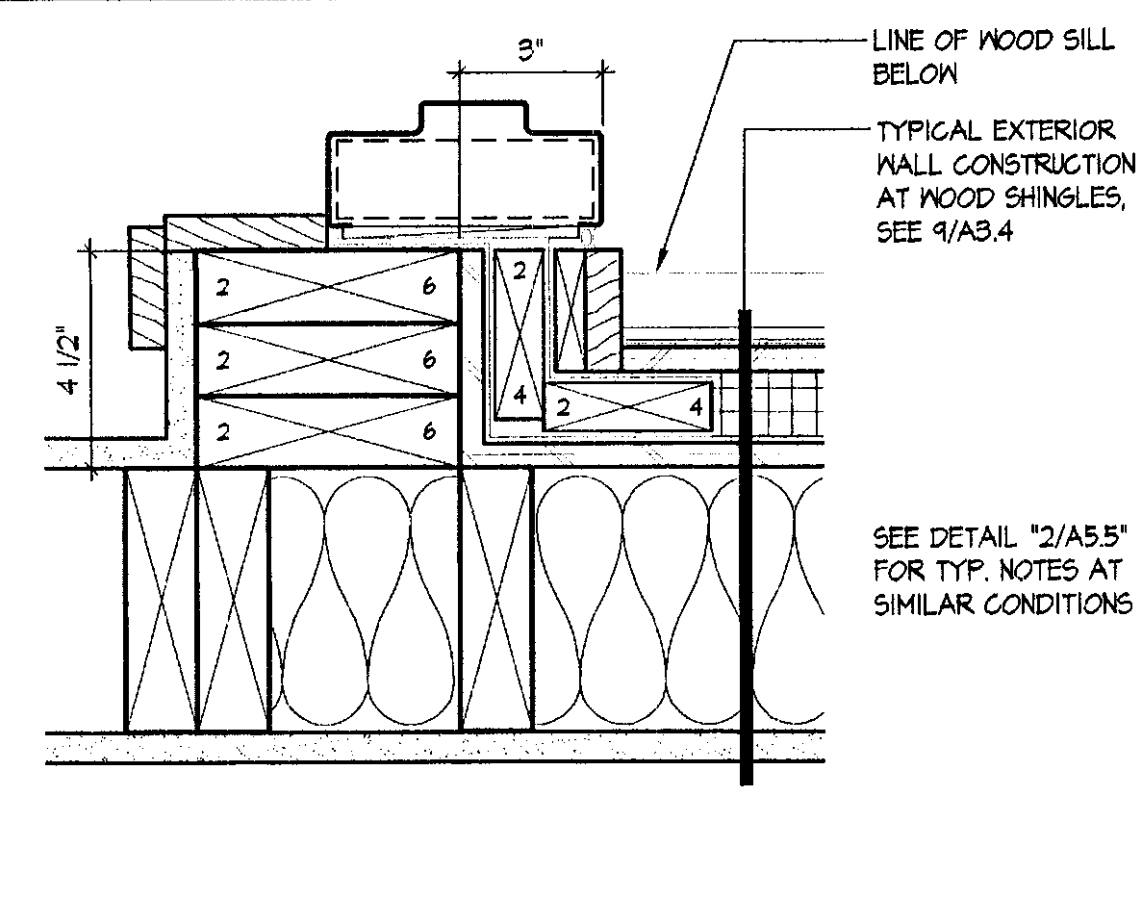
© NORTHERN ARCHITECTS INC., ALL RIGHTS RESERVED 2002



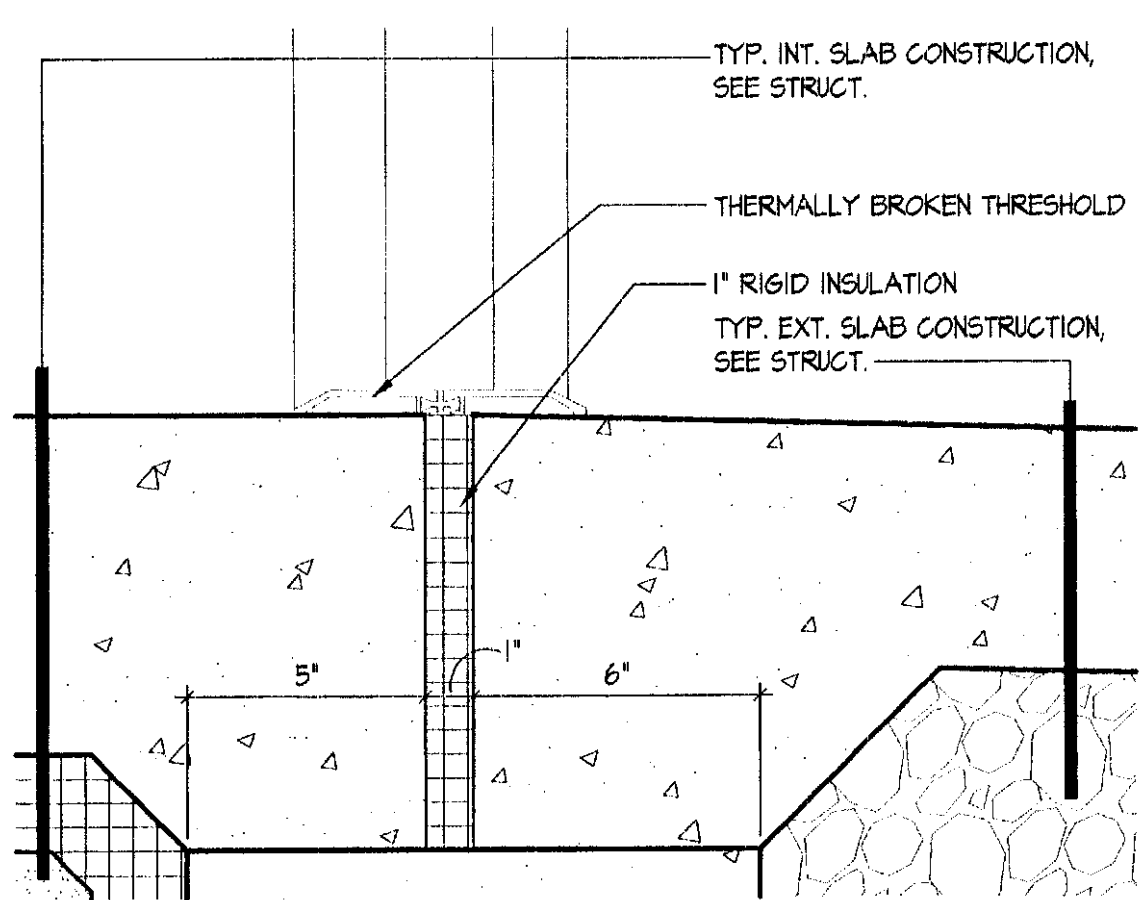
1 H.M. DOOR JAMB @ 115B
 SCALE: 3" = 1'-0"
 2003_DTL-DRHM



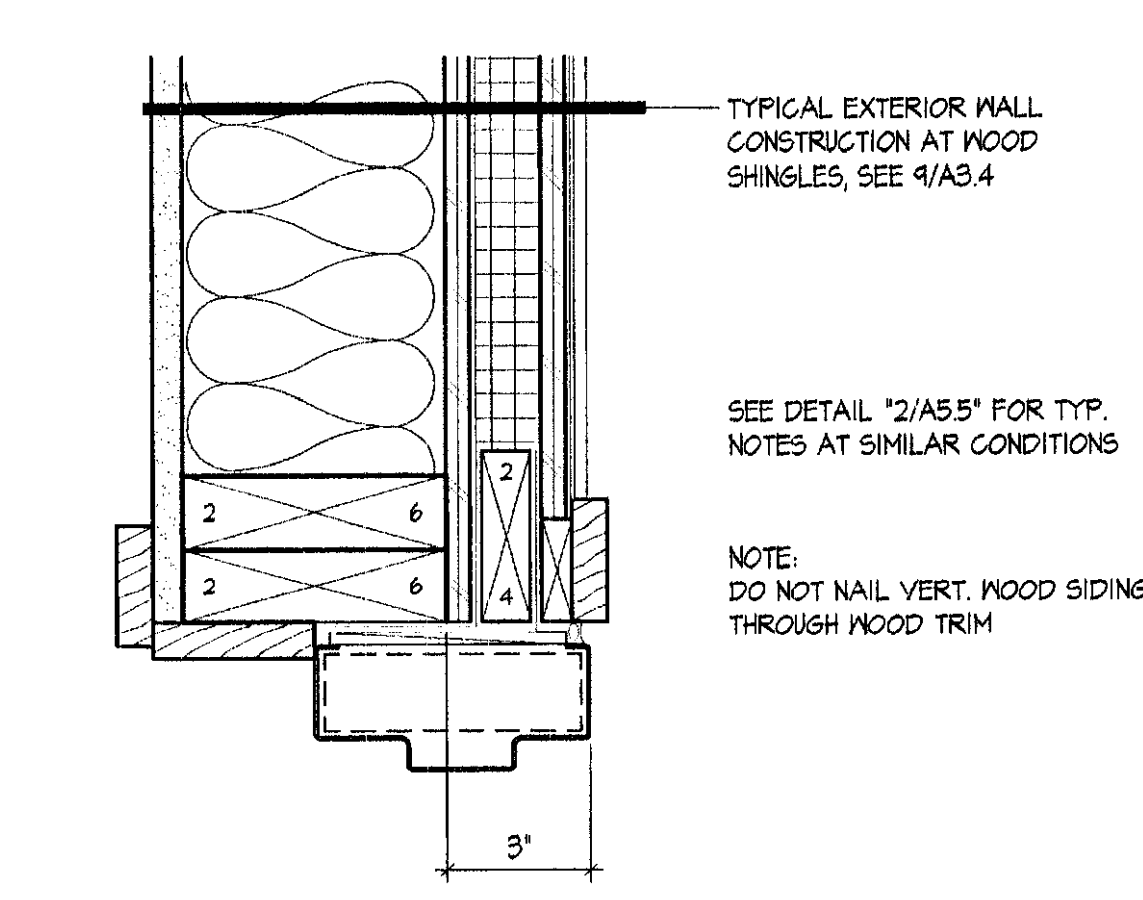
2 H.M. DOOR JAMB @ 115B
 SCALE: 3" = 1'-0"
 2003_DTL-DRHM



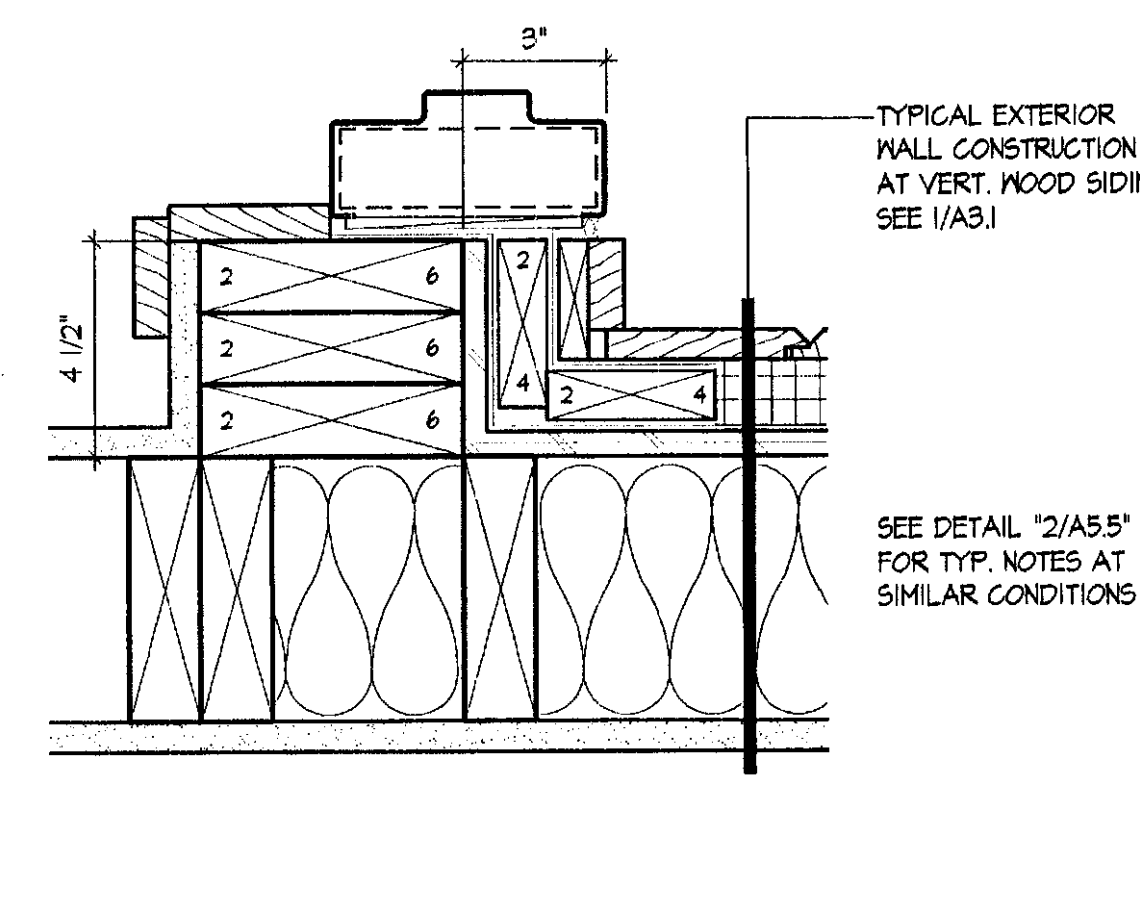
3 H.M. DOOR JAMB @ 115B
 SCALE: 3" = 1'-0"
 2003_DTL-DRHM



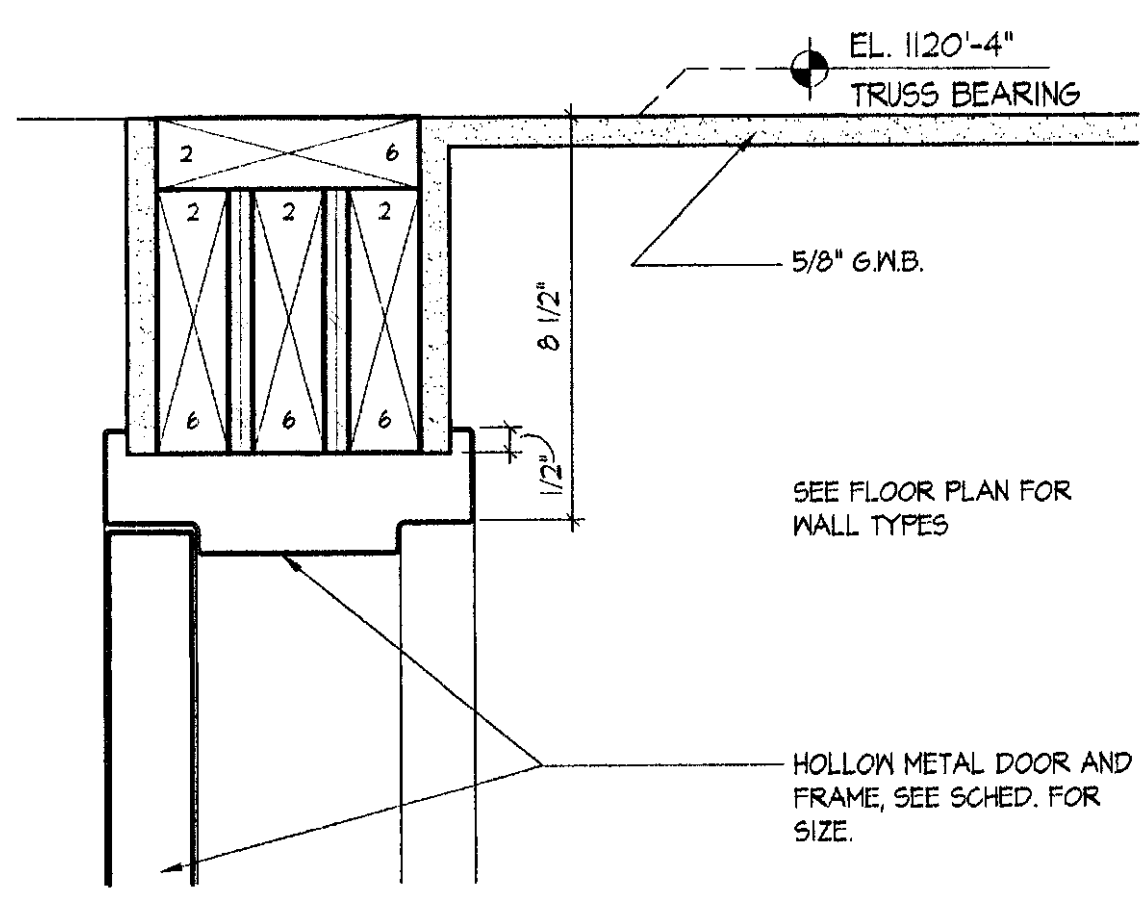
6 H.M. DOOR SILL @ 115B
 SCALE: 3" = 1'-0"
 2003_DTL-DRHM



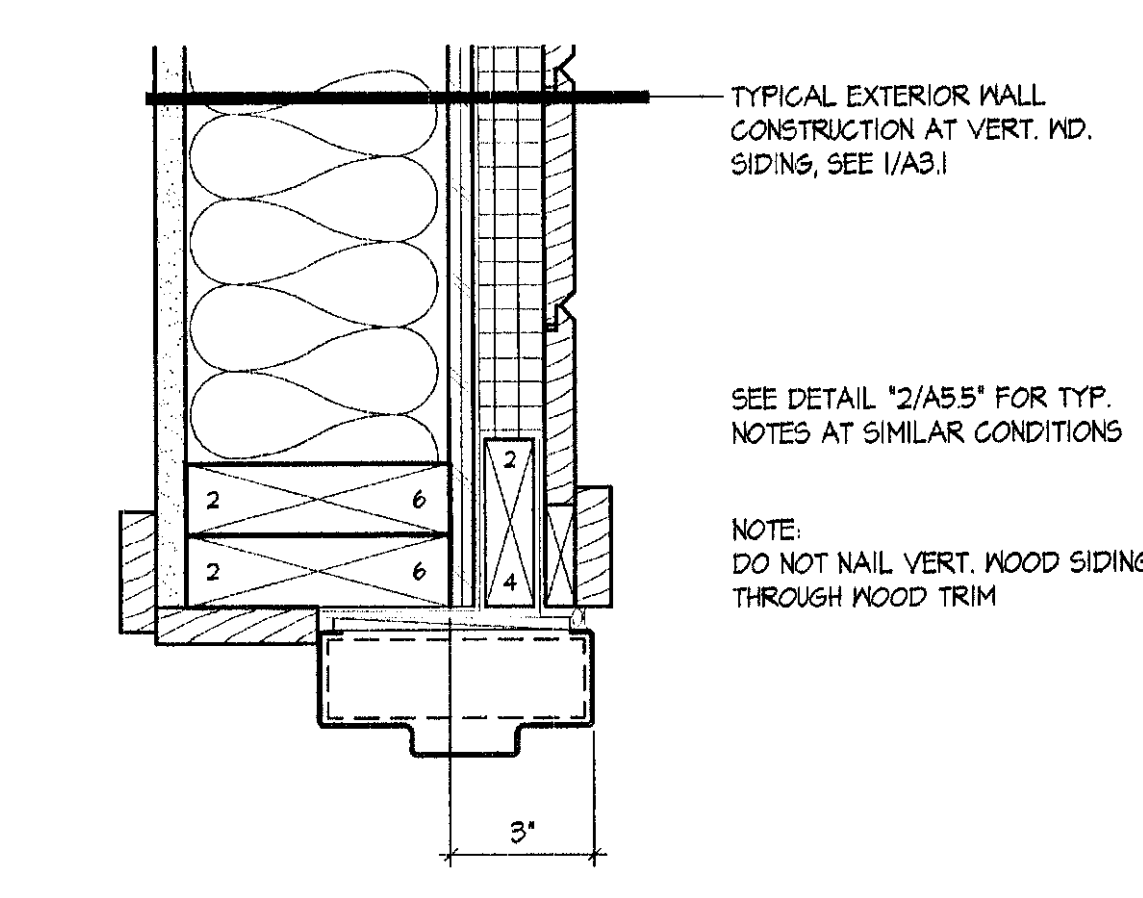
7 H.M. DOOR JAMB @ 115B
 SCALE: 3" = 1'-0"
 2003_DTL-DRHM



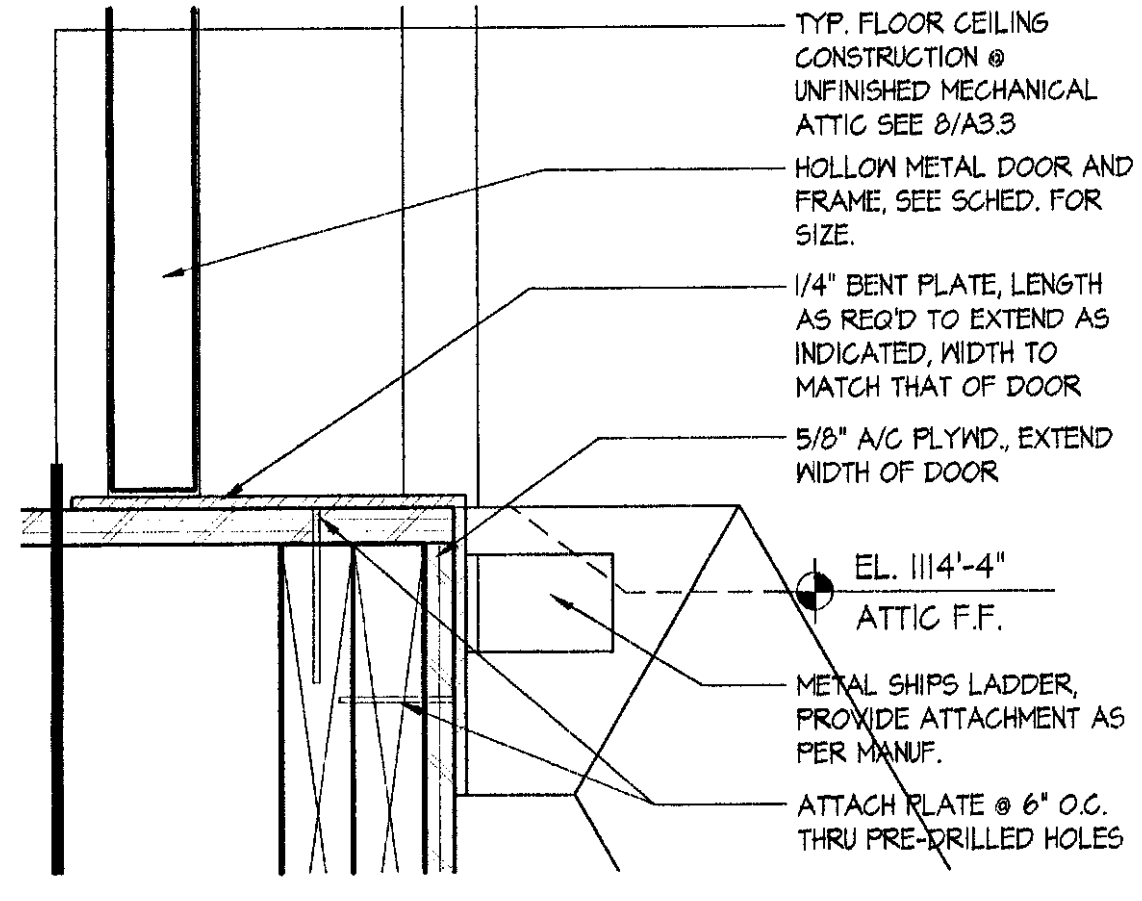
8 H.M. DOOR JAMB @ 115B
 SCALE: 3" = 1'-0"
 2003_DTL-DRHM



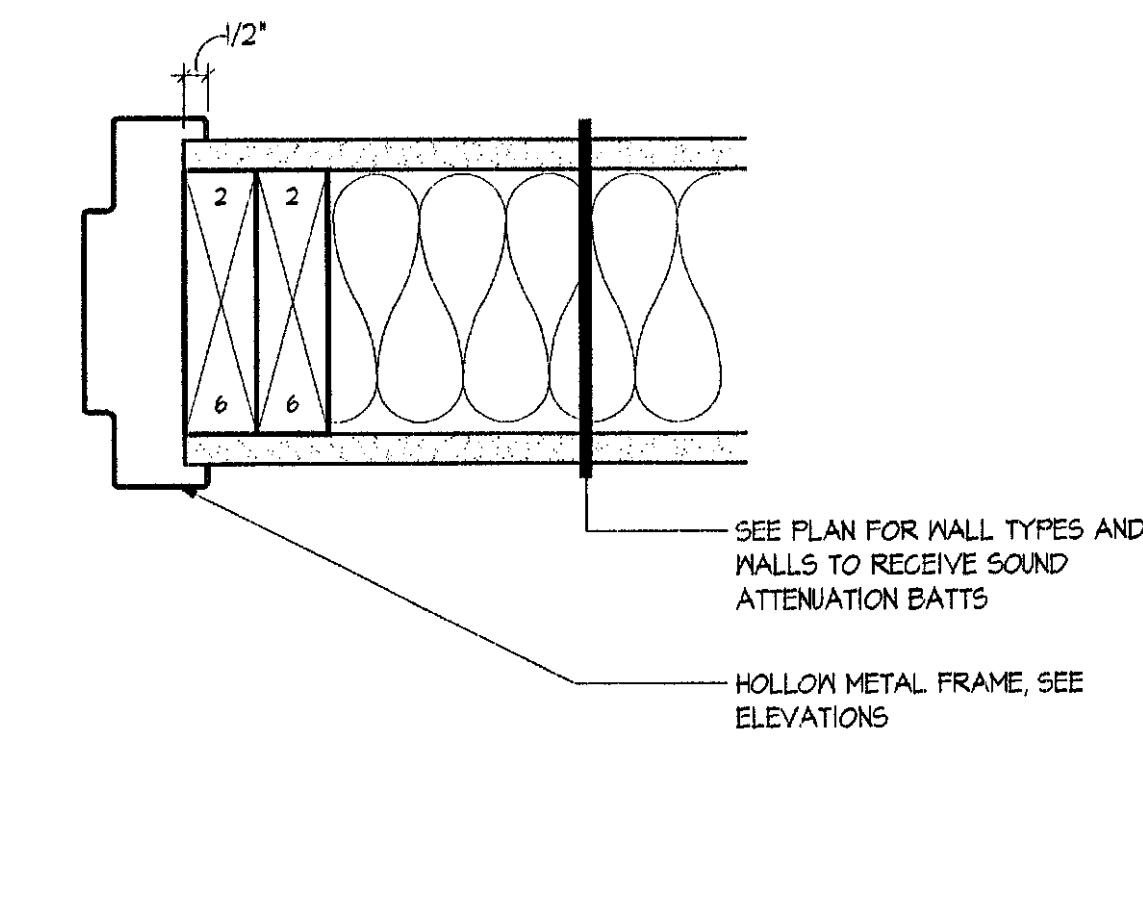
11 H.M. DOOR HEAD @ 201A
 SCALE: 3" = 1'-0"
 2003_M50B



12 H.M. DOOR JAMB @ 115B
 SCALE: 3" = 1'-0"
 2003_DTL-DRHM



16 H.M. DOOR SILL @ 201A
 SCALE: 3" = 1'-0"
 2003_M50B



17 H.M. DOOR JAMB @ 201A
 SCALE: 3" = 1'-0"
 2003_DTL-DRHM