



**NORTHERN ARCHITECTS**  
 207 KING STREET  
 SUITE 3  
 BURLINGTON, VERMONT  
 05401-4502  
 802-658-1953

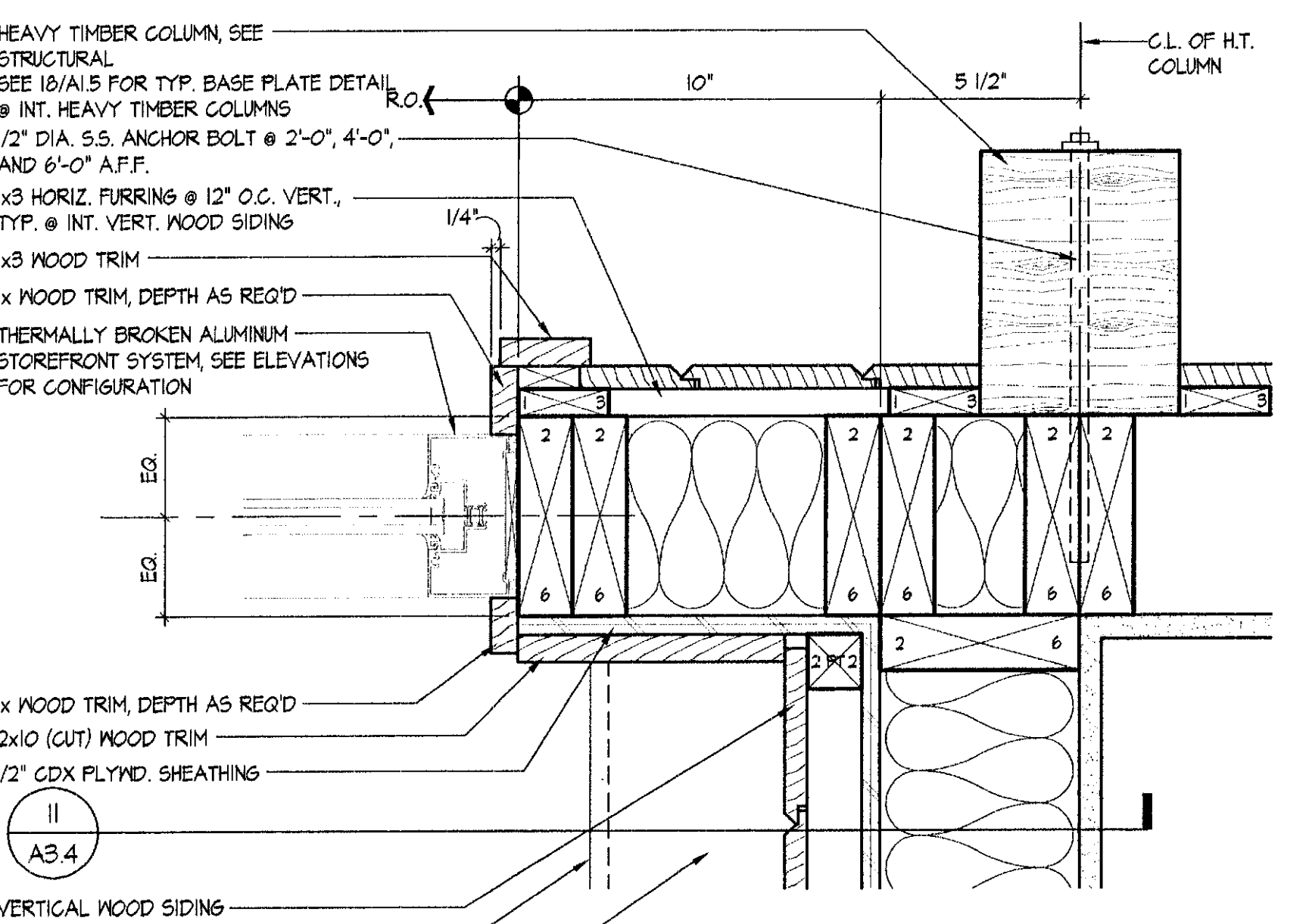
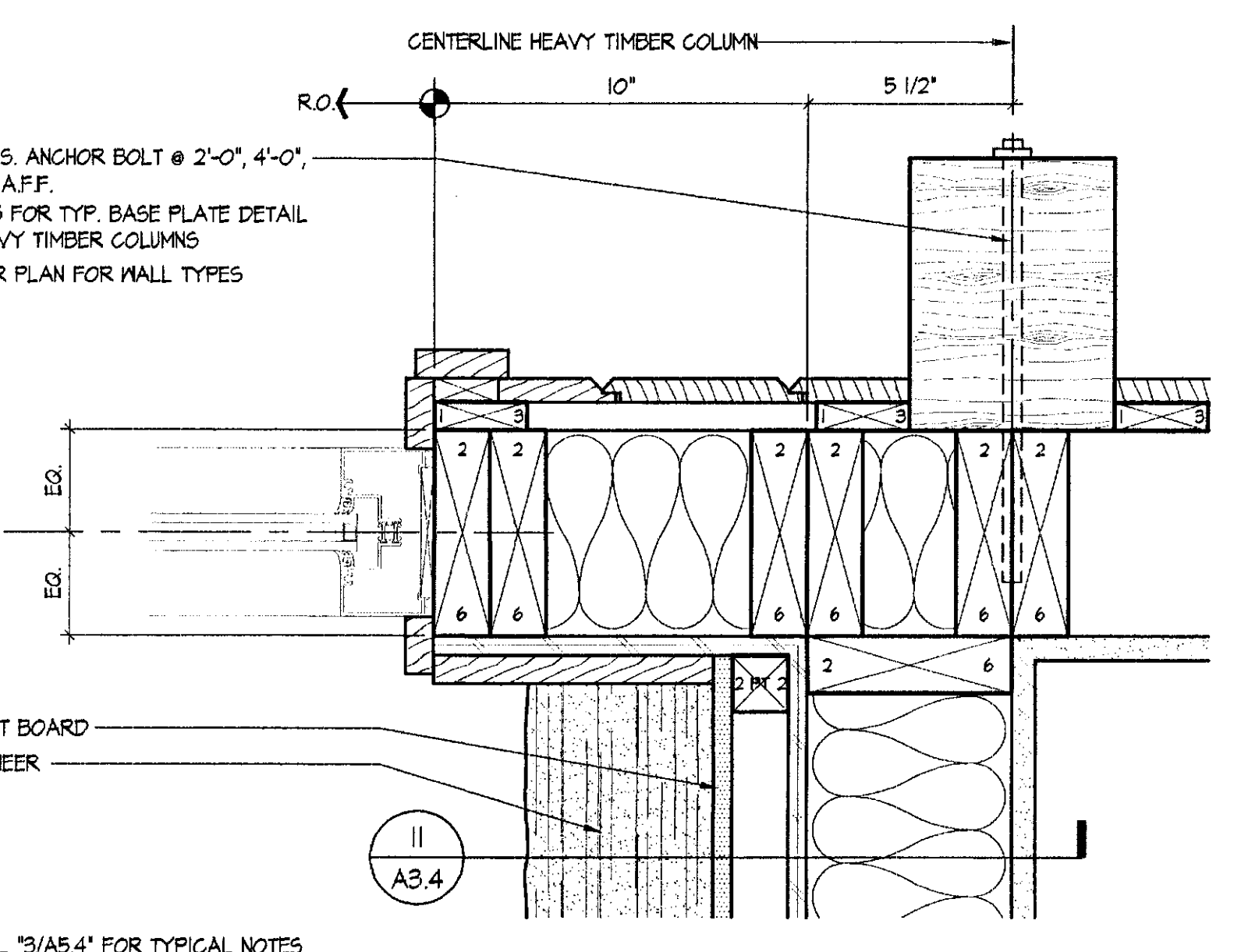
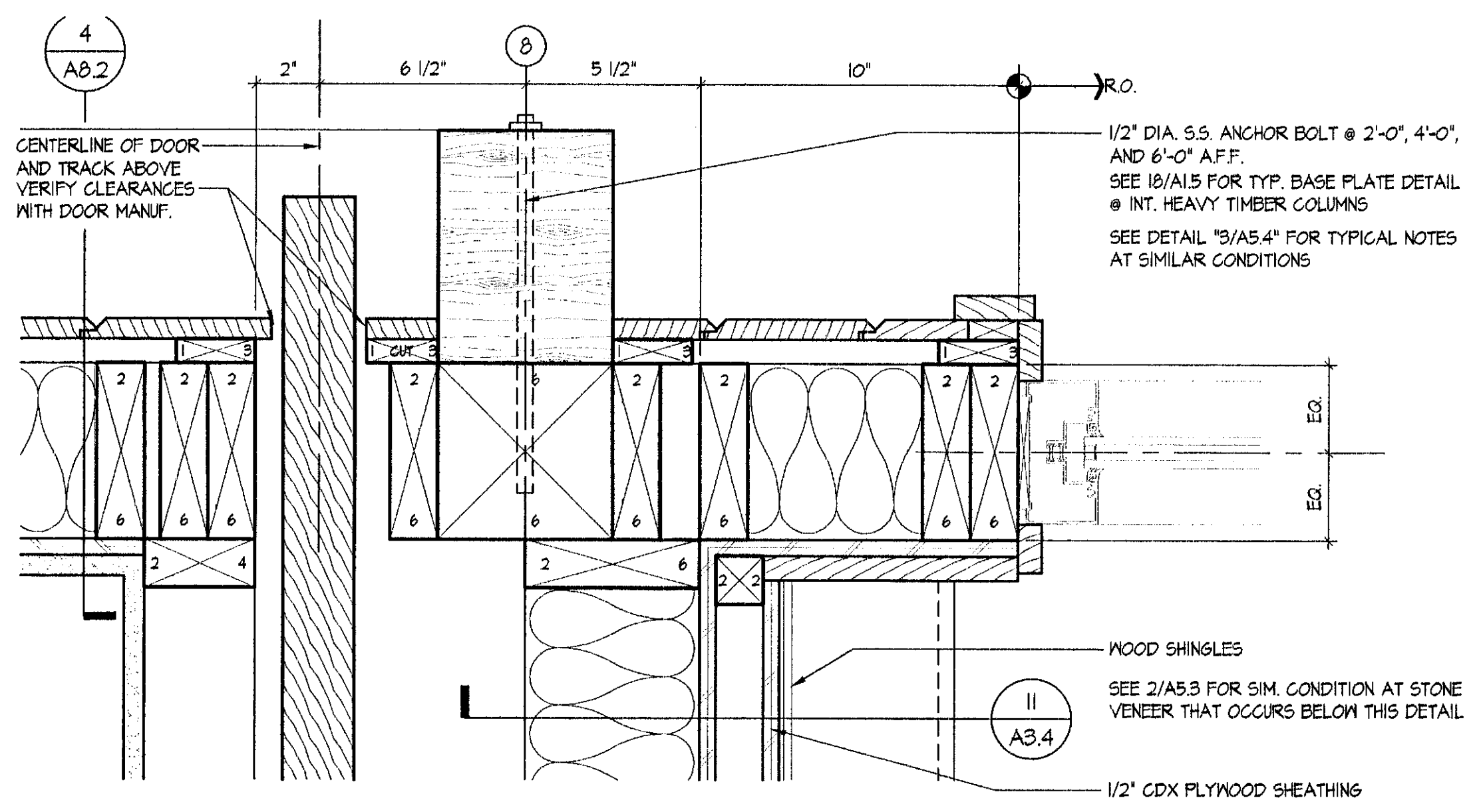
CONSULTANTS  
 CIVIL  
 KREBS AND LANGS  
 10 Main Street  
 Colchester VT 05446  
 (802)-878-0875  
 LANDSCAPE ARCHITECT  
**OHKW**  
 OFFICE OF HORTON KURTZ WAGNER  
 7 Marble Ave.  
 Burlington VT 05401  
 (802)-864-0010  
 STRUCTURAL  
 RICHARD M. DOHERTY, P.E.  
 117 St. Paul Street  
 Burlington VT 05401  
 (802)-660-4212  
 PLUMBING, MECHANICAL  
 AND ELECTRICAL  
 DIFRENE AND HENRY  
 Precision Park  
 North Springfield VT 05150-0024  
 (802)-886-2261

REVISIONS

PROJECT  
**DERBY WELCOME CENTER**  
 PROJECT #M 091-3(8)  
 NEW FACILITY  
 DERBY VERMONT  
 DATE: 01/07/2002  
 SCALE: AS NOTED  
 CHECKED: HS  
 PROJECT NO: 2003

**STOREFRONT, CARRIAGE, AND OVERHEAD DOOR DETAILS**

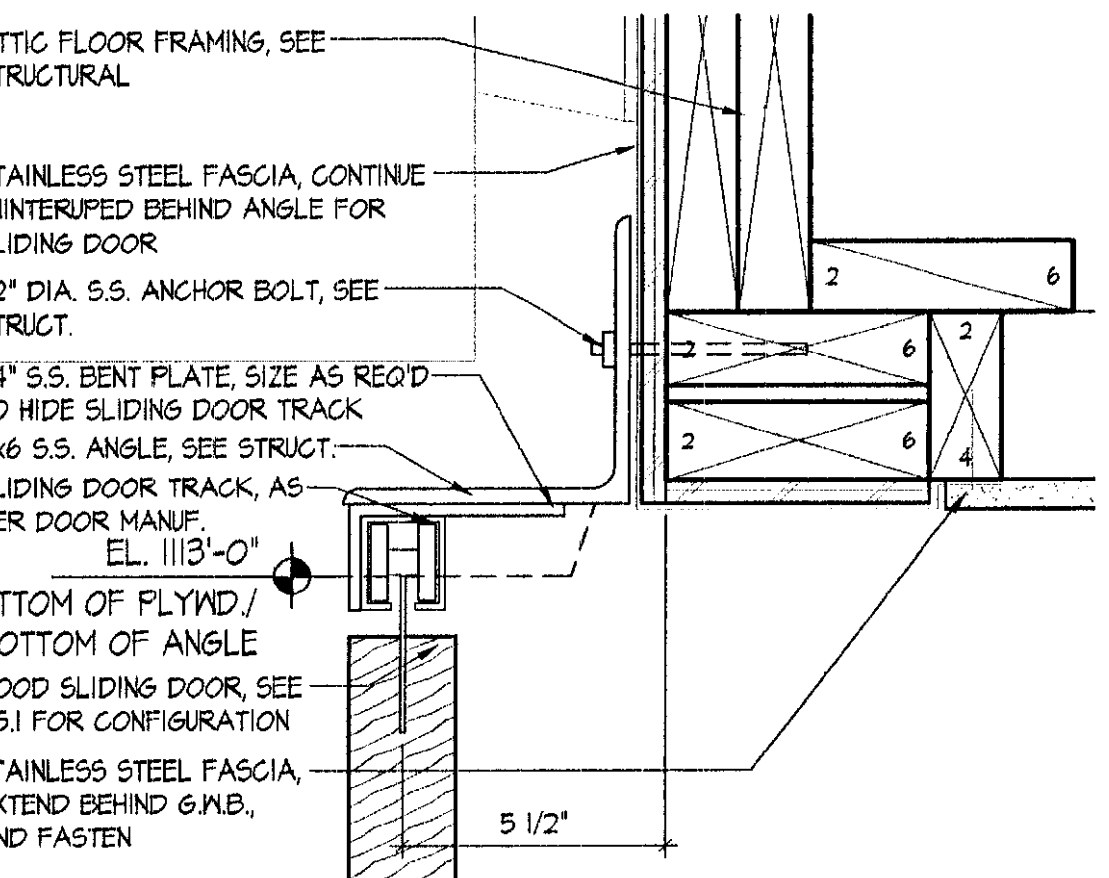
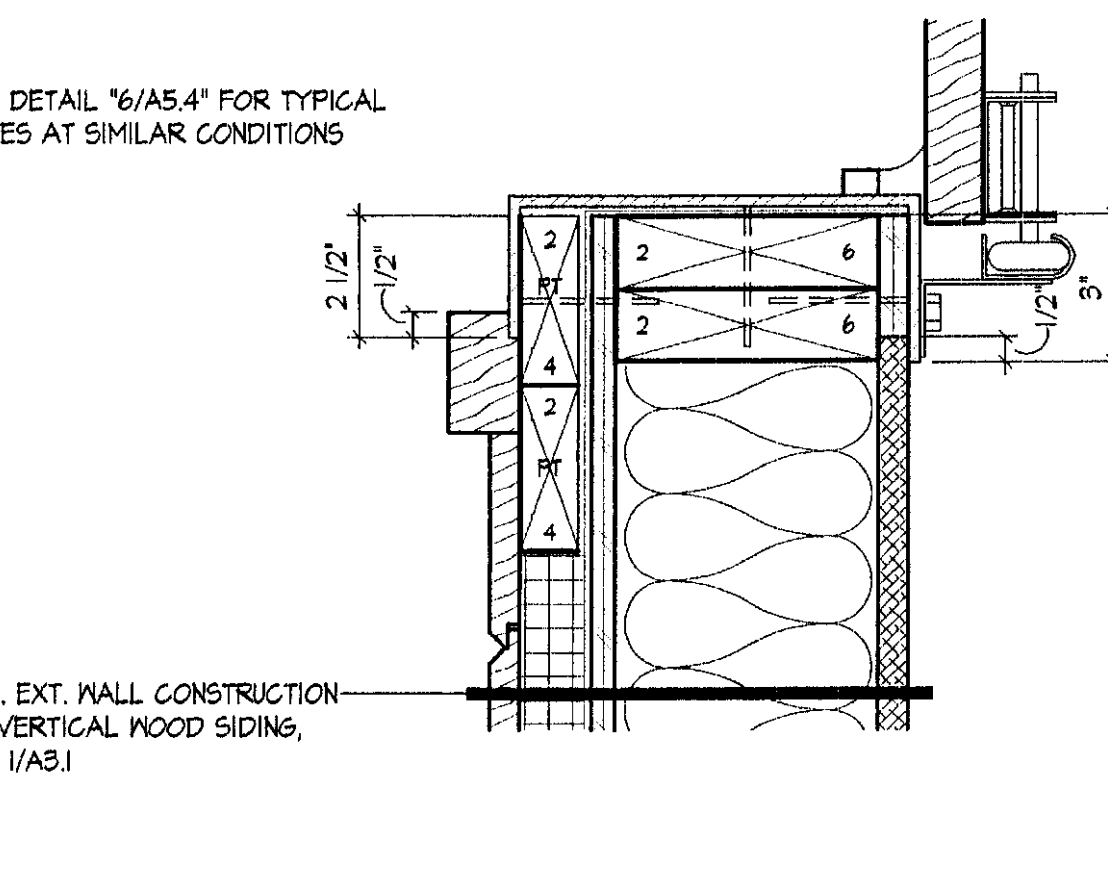
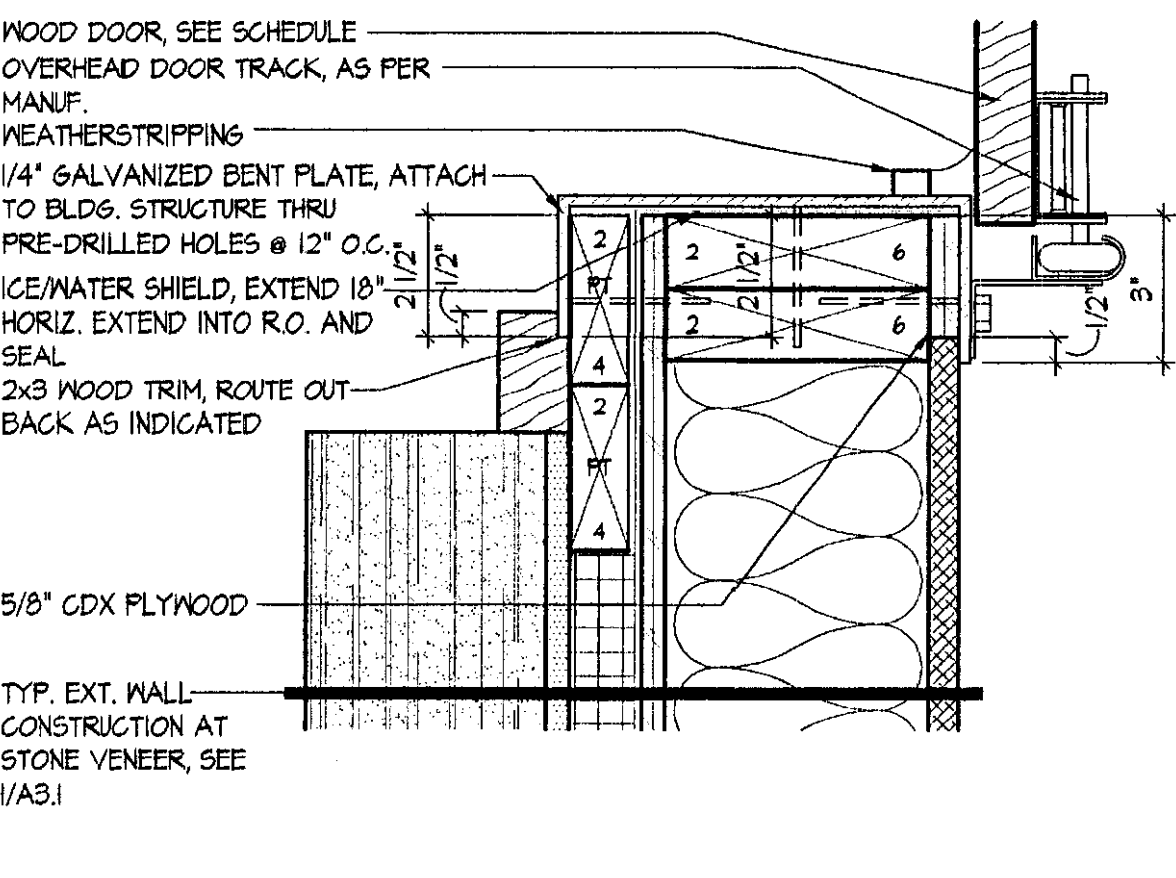
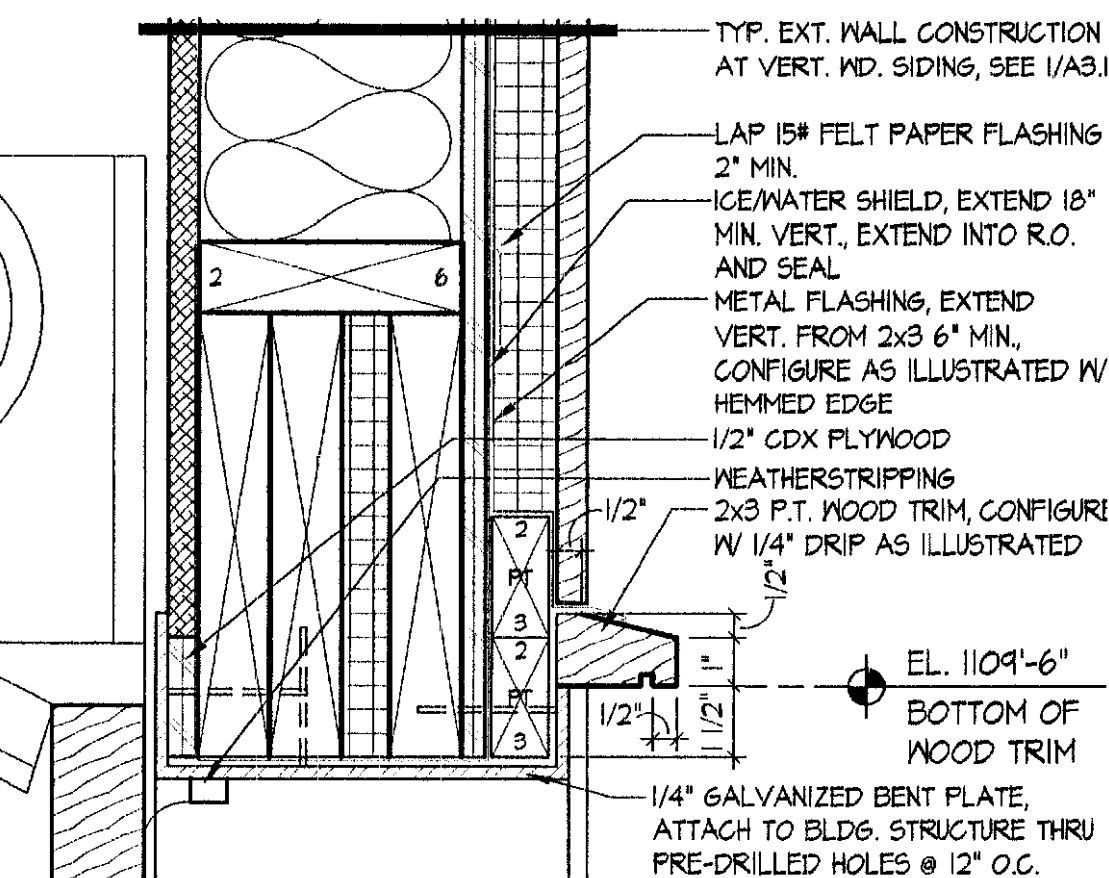
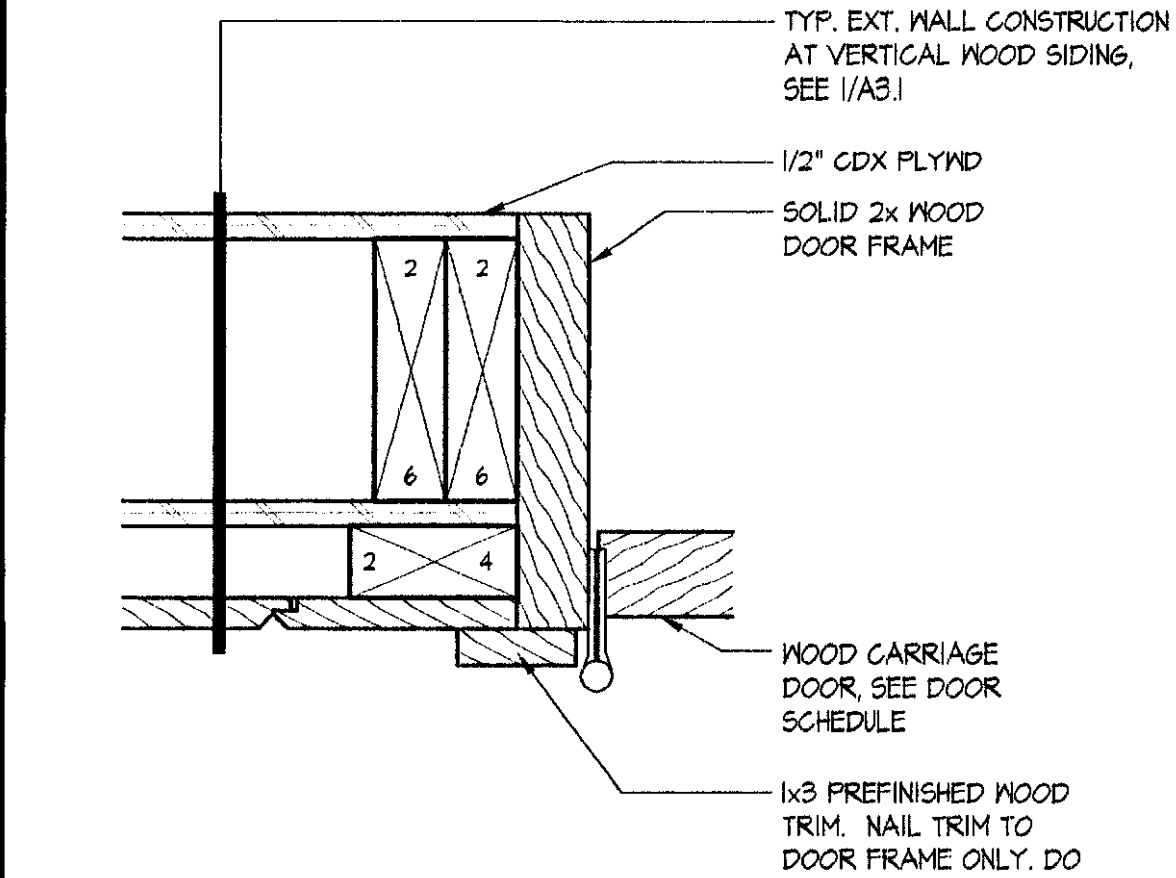
**A5.4**



**1 STOREFRONT JAMB DETAIL**  
 SCALE: 3" = 1'-0"  
 2003\_DTL-5F01

**2 STOREFRONT JAMB DETAIL**  
 SCALE: 3" = 1'-0"  
 2003\_DTL-5F01

**3 STOREFRONT JAMB DETAIL**  
 SCALE: 3" = 1'-0"  
 2003\_DTL-5F01



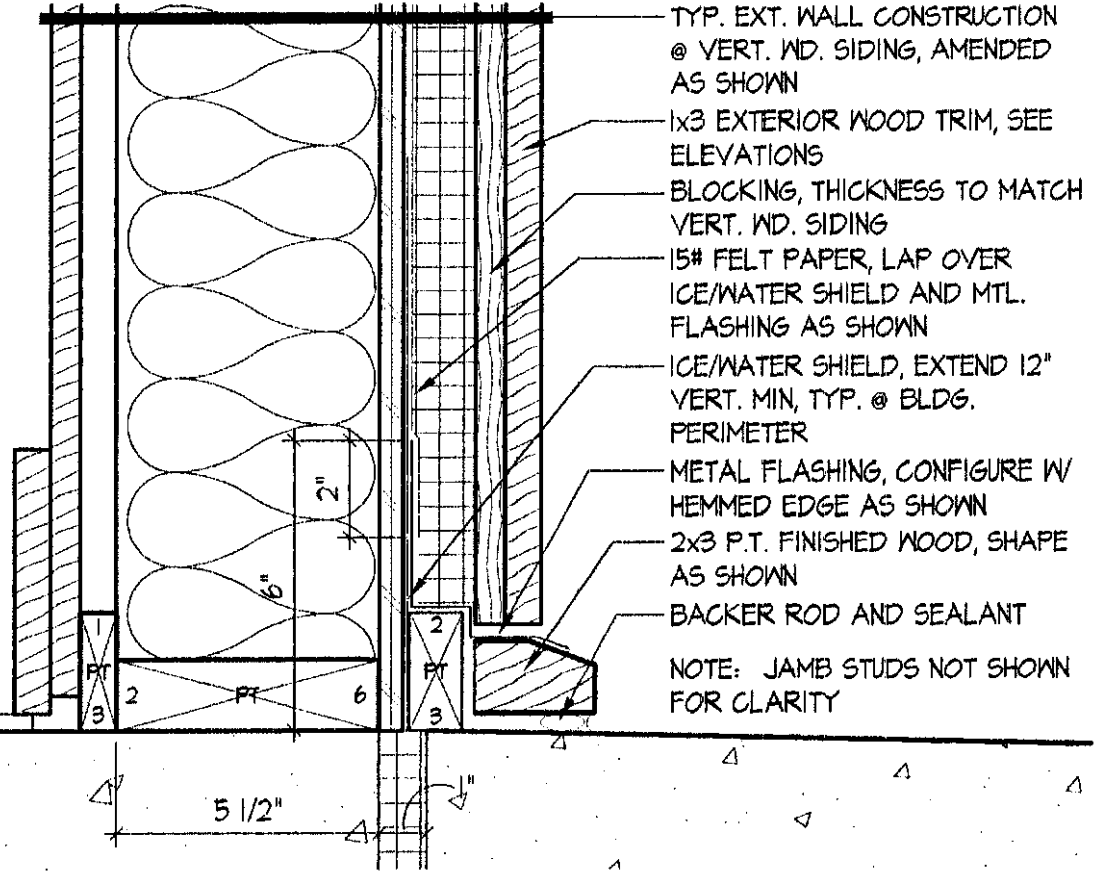
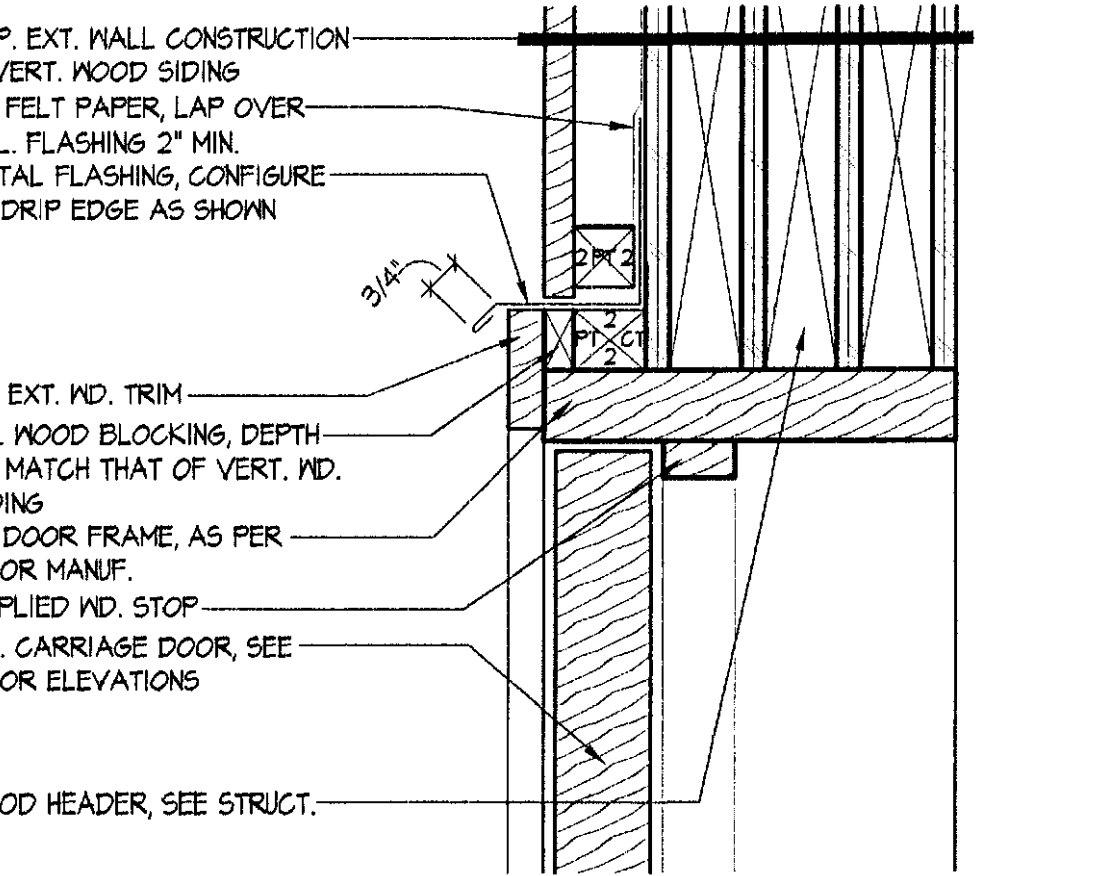
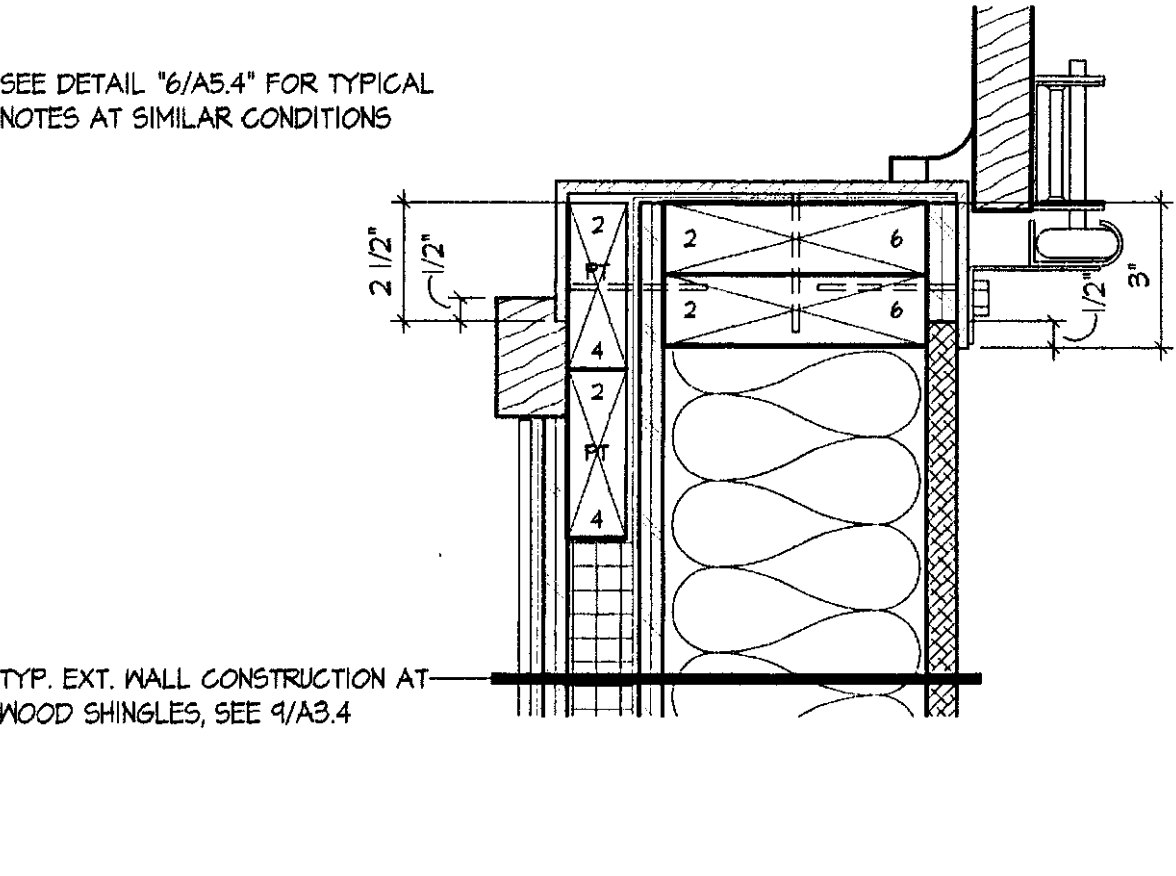
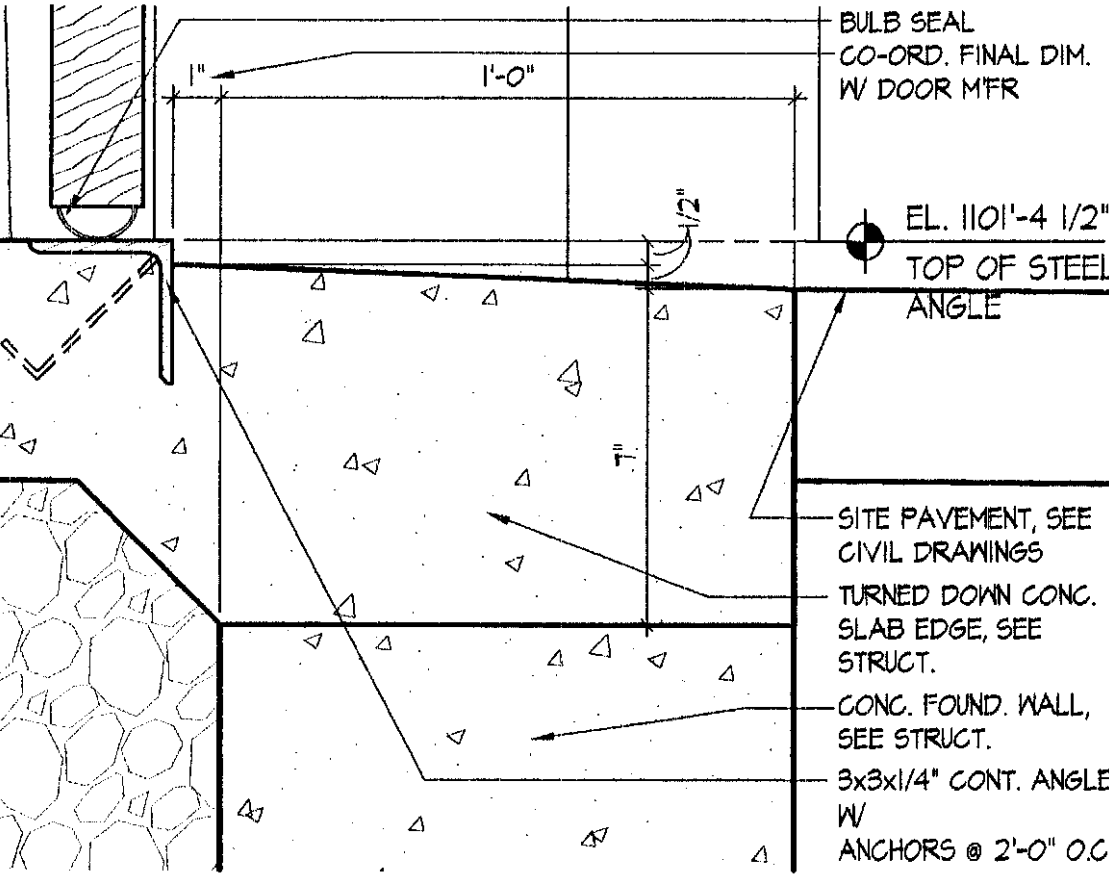
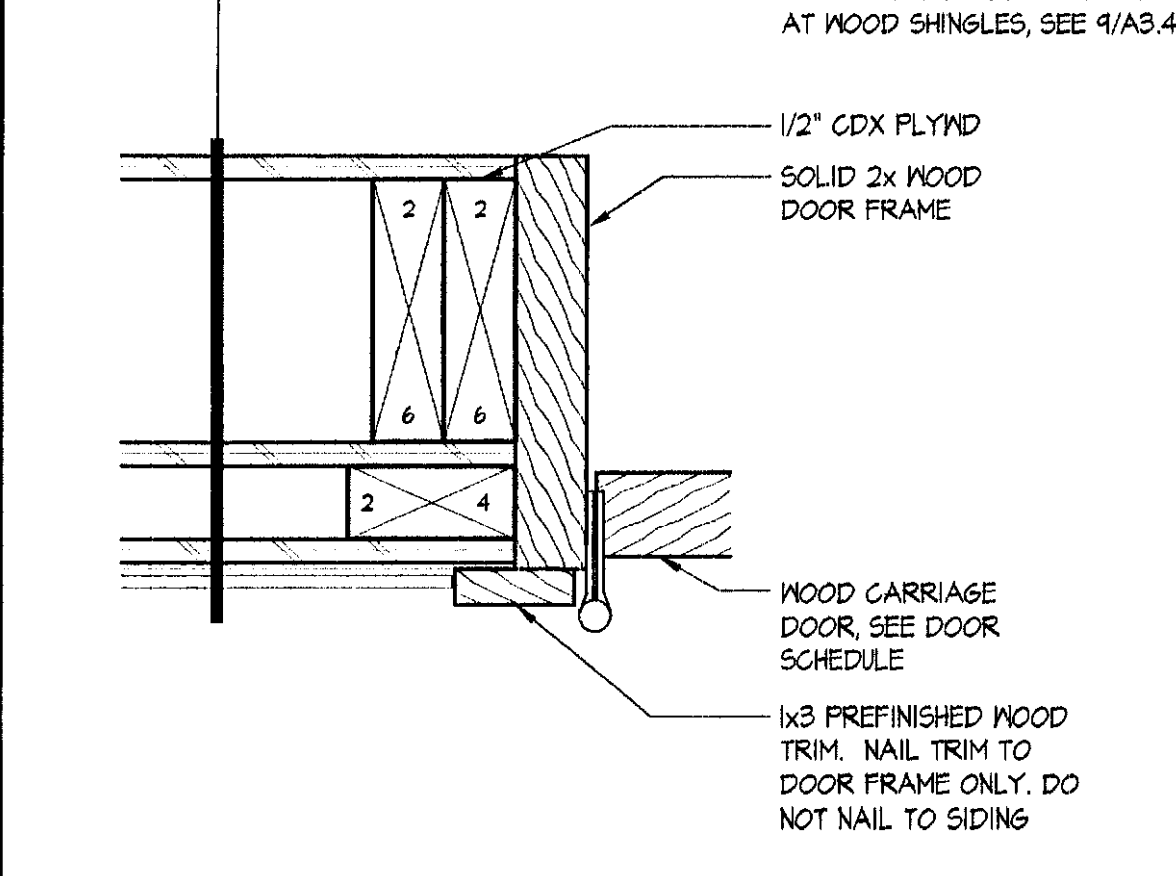
**4 WD. DR. JAMB @ CARRIAGE DOOR**  
 SCALE: 3" = 1'-0"  
 2003\_DTL-DR03

**5 SECTIONAL O.H. DOOR HEAD**  
 SCALE: 3" = 1'-0"  
 2003\_B5-04A

**6 SECTIONAL O.H. DOOR JAMB**  
 SCALE: 3" = 1'-0"  
 2003\_DTL-DR02

**7 SECTIONAL O.H. DOOR JAMB**  
 SCALE: 3" = 1'-0"  
 2003\_DTL-DR02

**8 SLIDING DOOR HEAD**  
 SCALE: 3" = 1'-0"  
 2003\_W604



**9 WD. DR. JAMB @ CARRIAGE DOOR**  
 SCALE: 3" = 1'-0"  
 2003\_DTL-DR03

**10 SECTIONAL O.H. DOOR HEAD**  
 SCALE: 3" = 1'-0"  
 2003\_B5-04A

**11 SECTIONAL O.H. DOOR JAMB**  
 SCALE: 3" = 1'-0"  
 2003\_DTL-DR02

**12 WD. DR. HEAD @ CARRIAGE DOOR**  
 SCALE: 3" = 1'-0"  
 2003\_B511

**13 SILL DETAIL @ STOREFRONT TRIM**  
 SCALE: 3" = 1'-0"  
 2003\_DTL-ARCH01

© NORTHERN ARCHITECTS INC. ALL RIGHTS RESERVED 2002