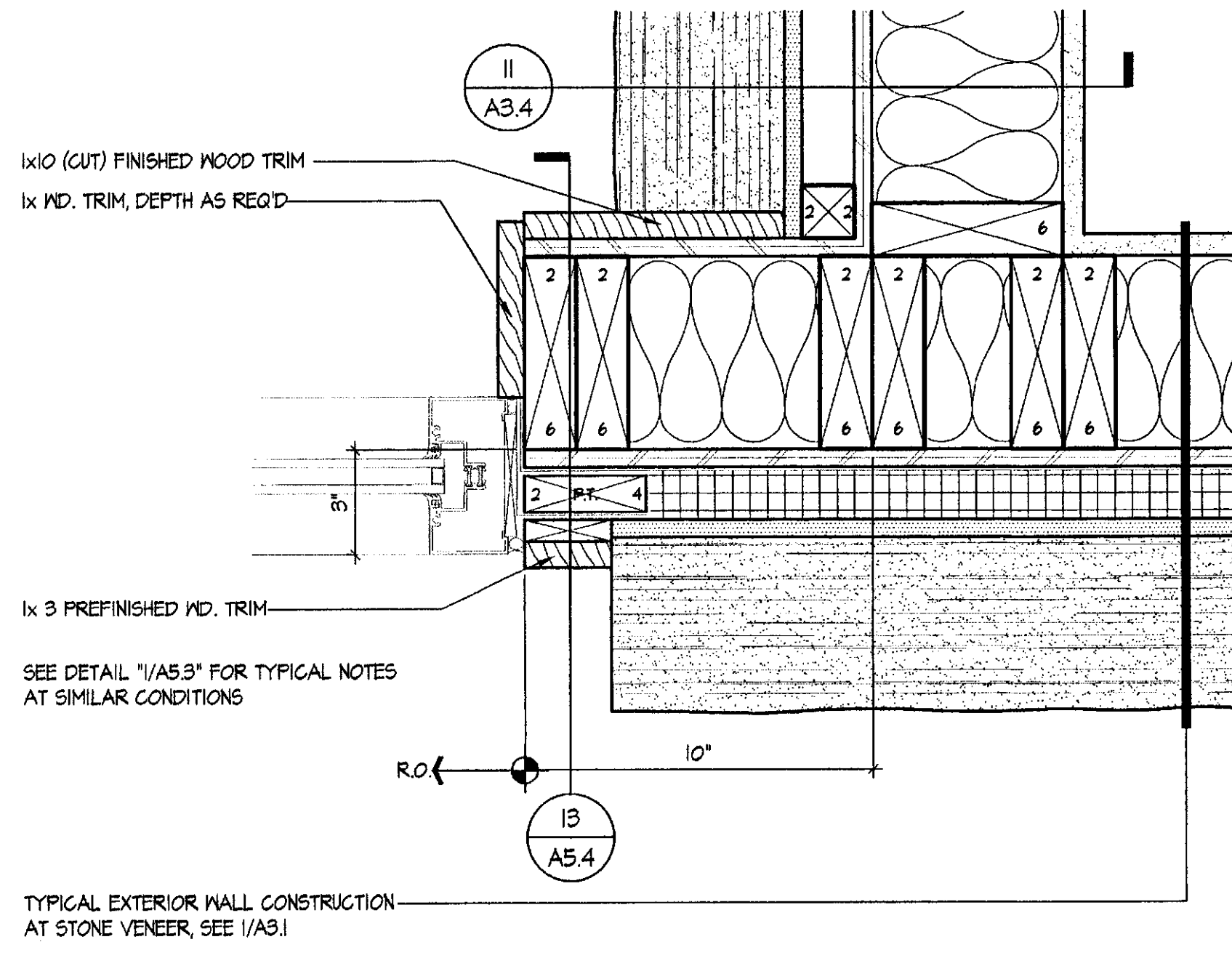
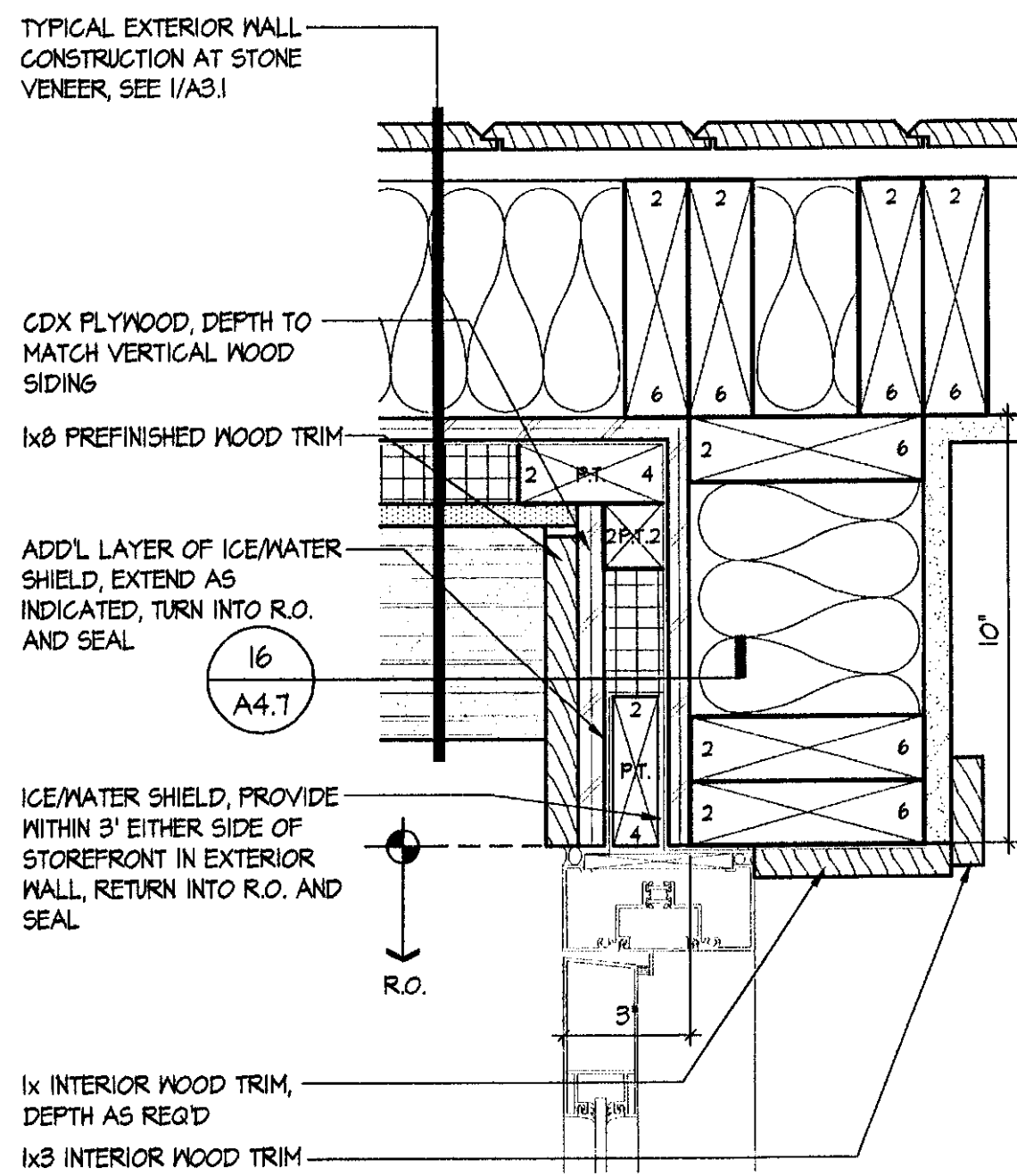


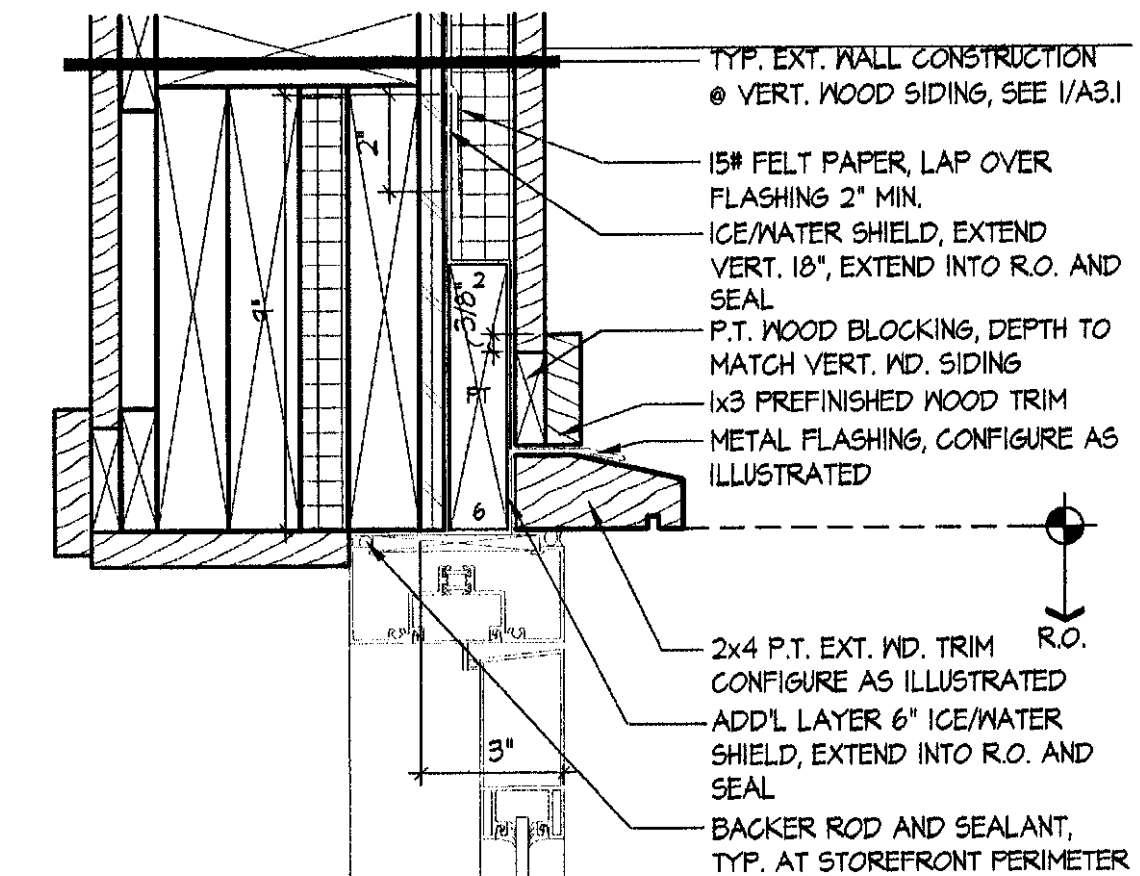
1 STOREFRONT JAMB DETAIL
SCALE: 3" = 1'-0"
2009_DTL-SF01



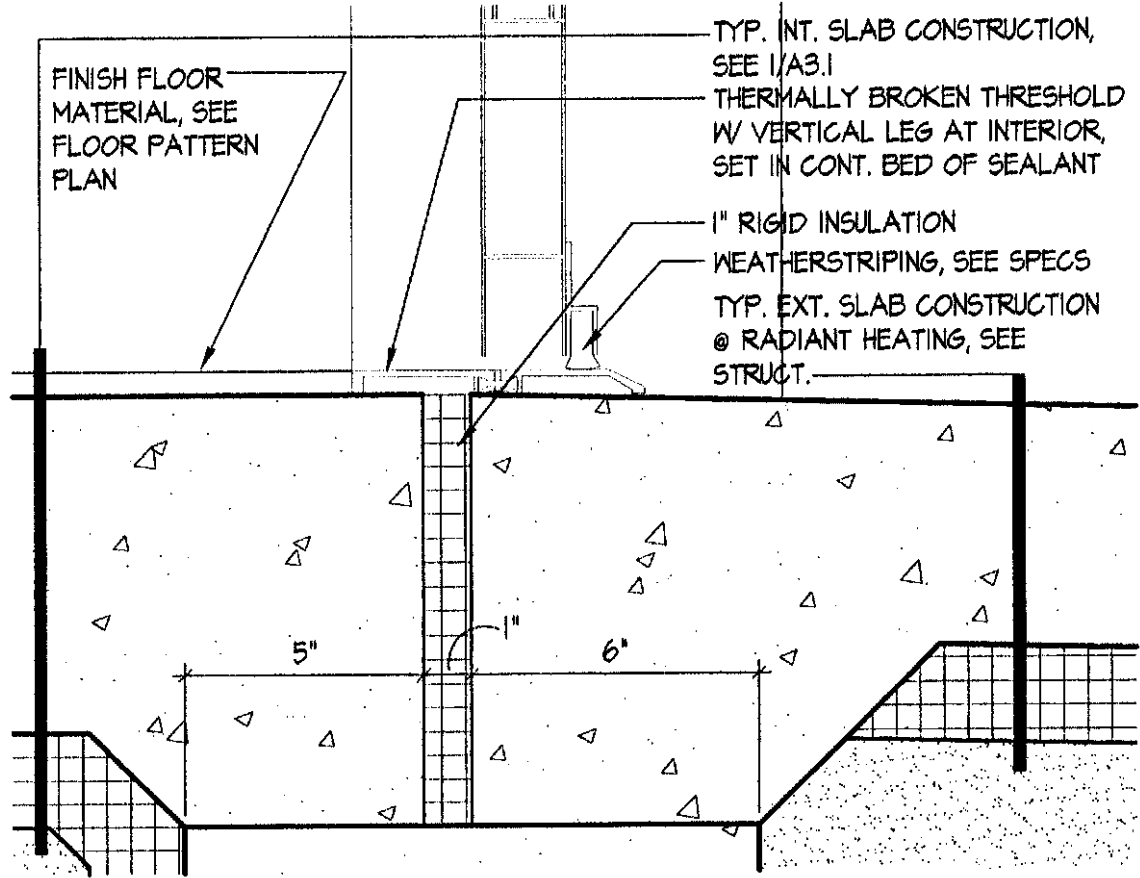
2 STOREFRONT JAMB DETAIL
SCALE: 3" = 1'-0"
2009_DTL-SF01



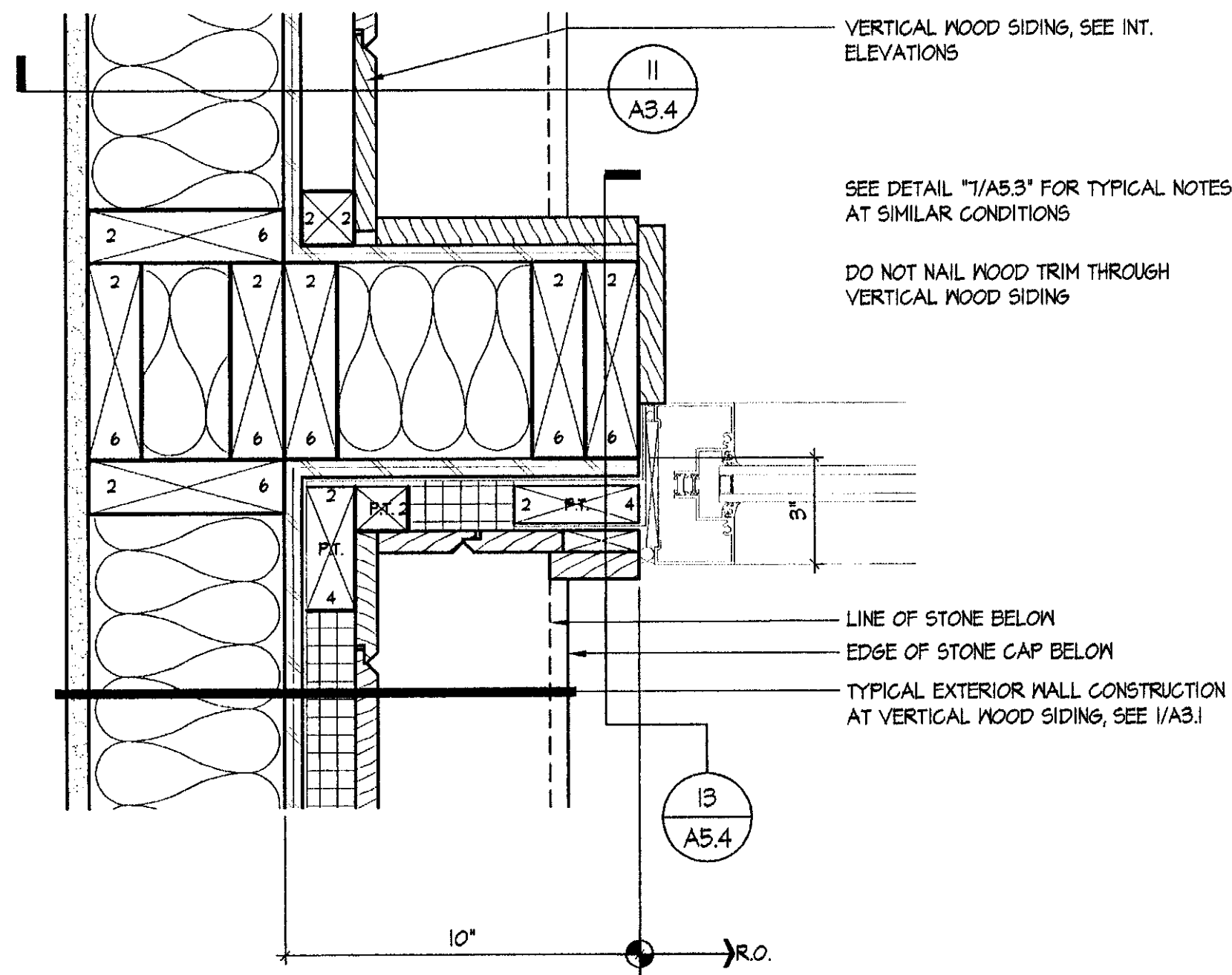
3 STOREFRONT JAMB DETAIL
SCALE: 3" = 1'-0"
2009_DTL-SF01



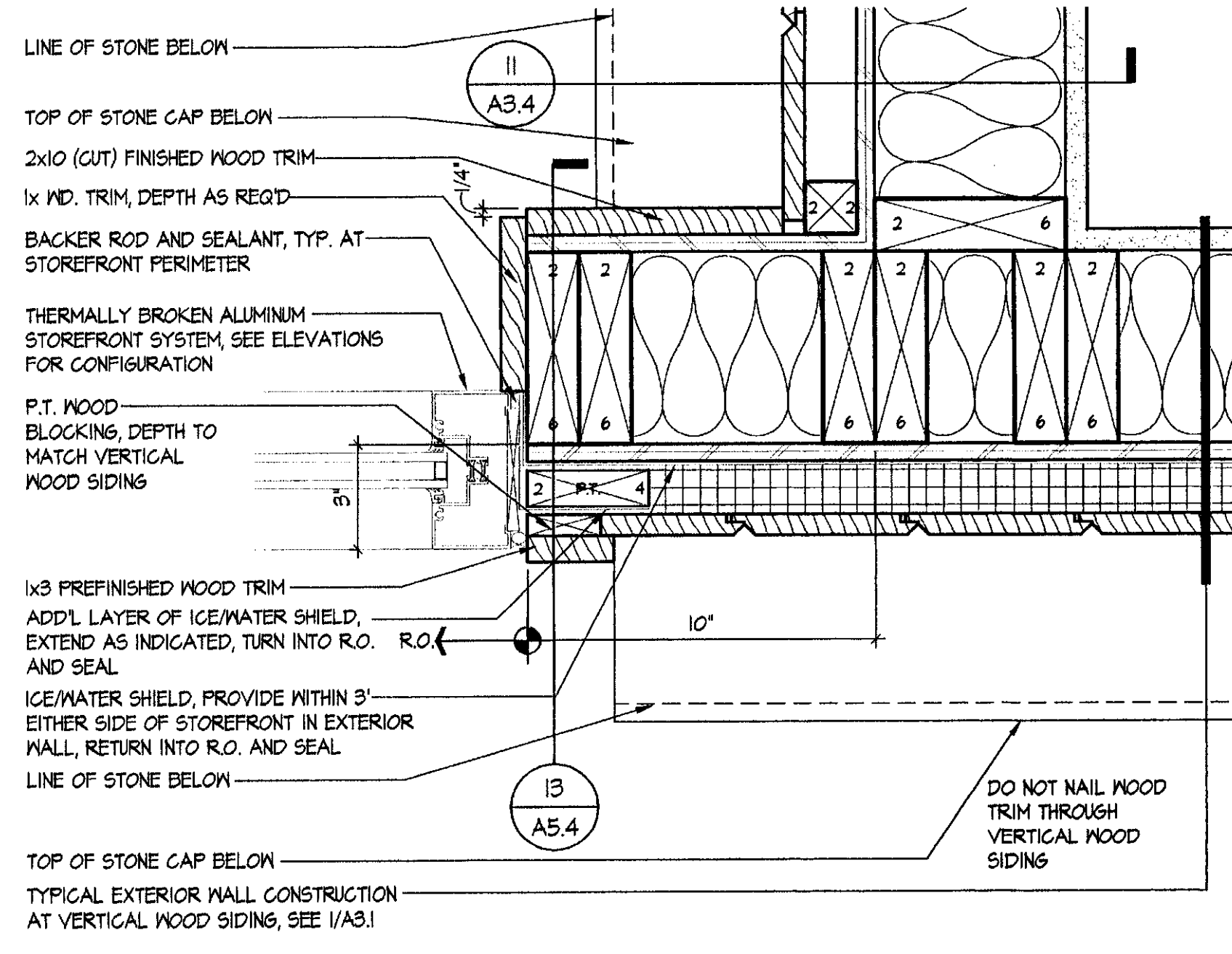
4 STOREFRONT HEAD DETAIL
SCALE: 3" = 1'-0"
2009_B505



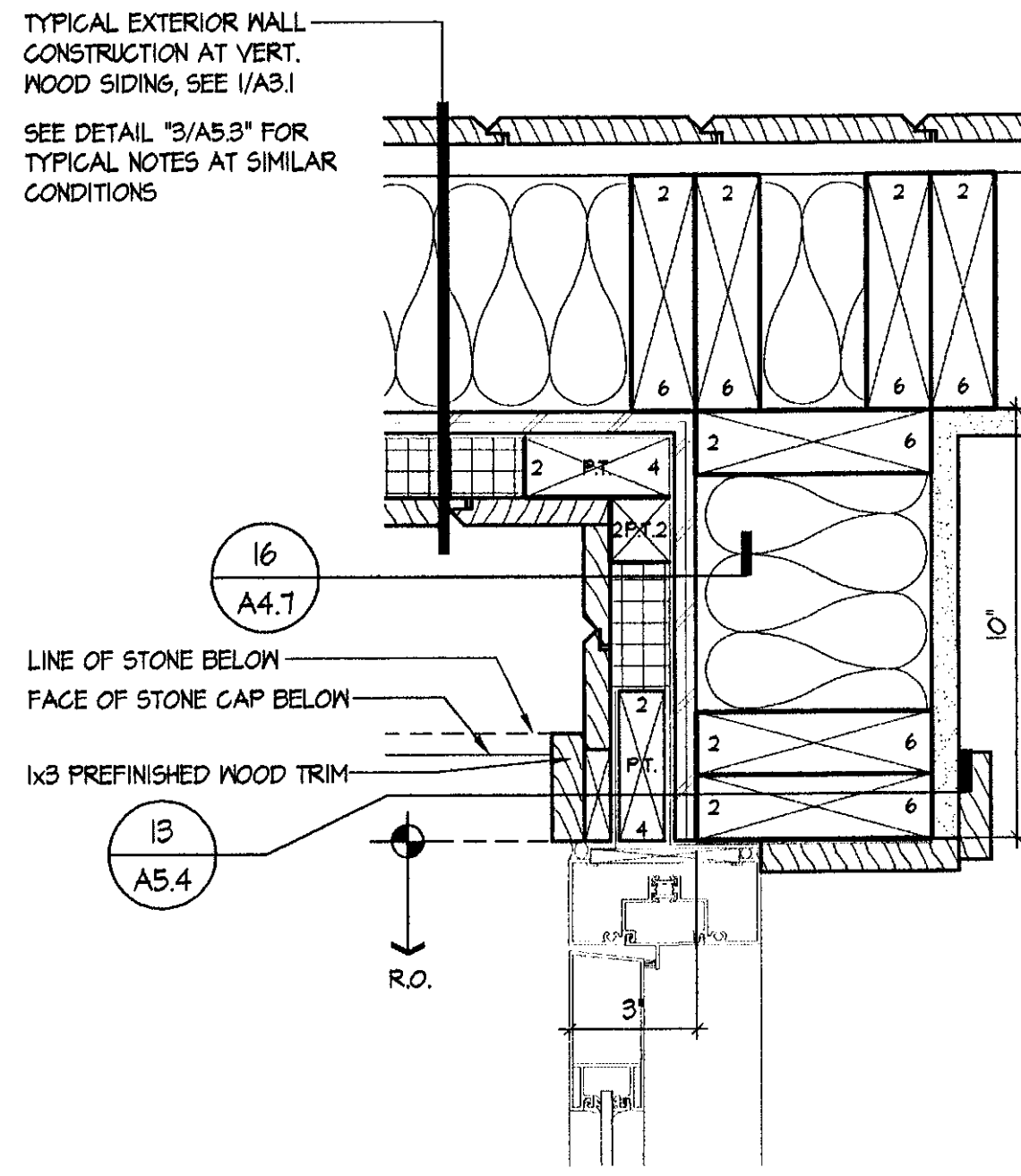
5 STOREFRONT SILL DETAIL
SCALE: 3" = 1'-0"
2009_B505



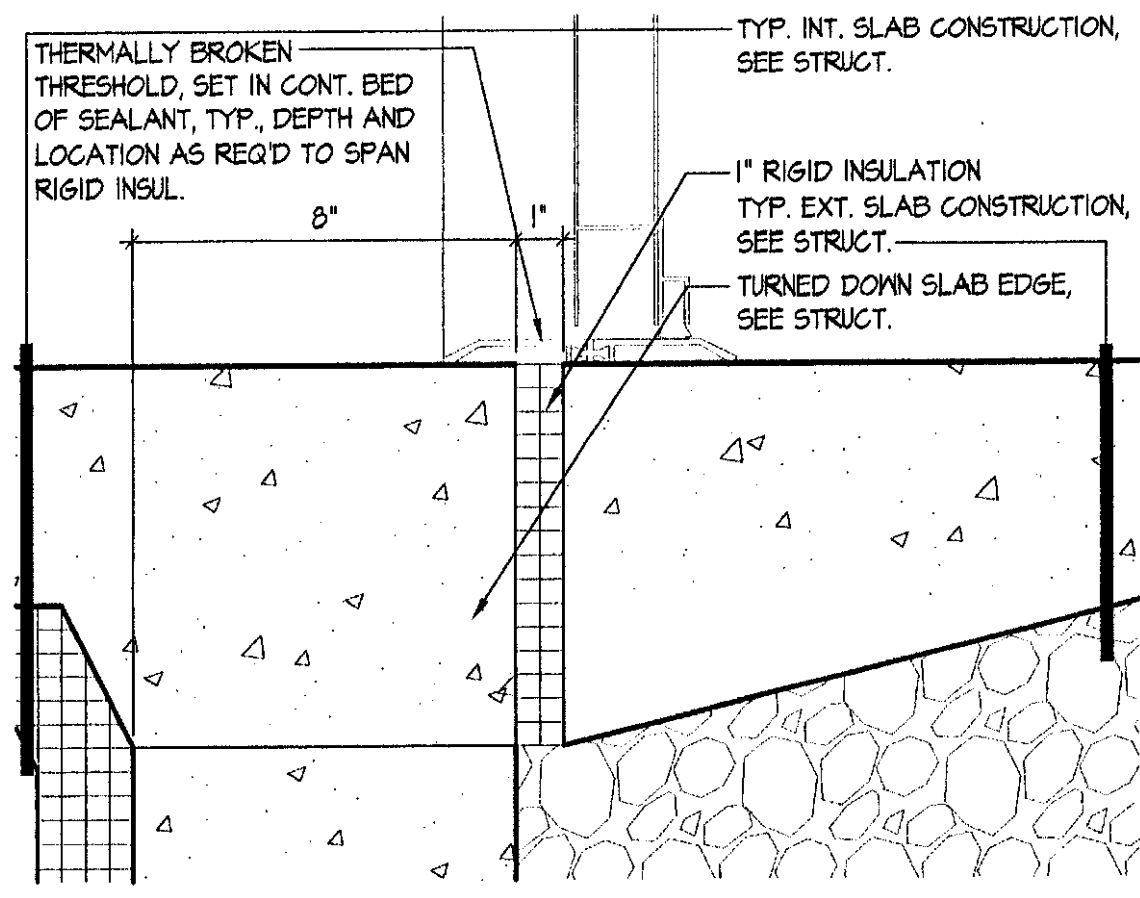
6 STOREFRONT JAMB DETAIL
SCALE: 3" = 1'-0"
2009_DTL-SF01



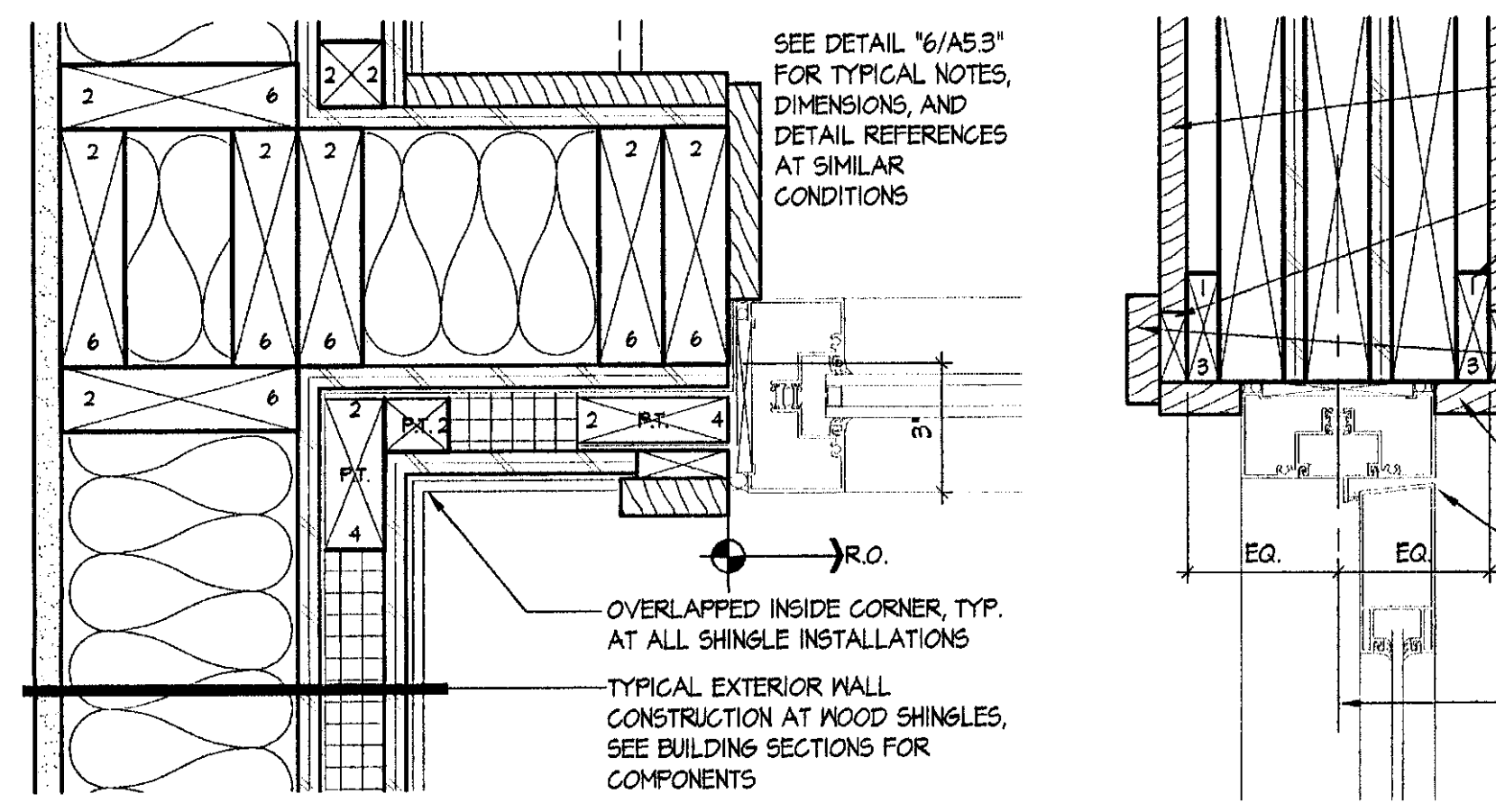
7 STOREFRONT JAMB DETAIL
SCALE: 3" = 1'-0"
2009_DTL-SF01



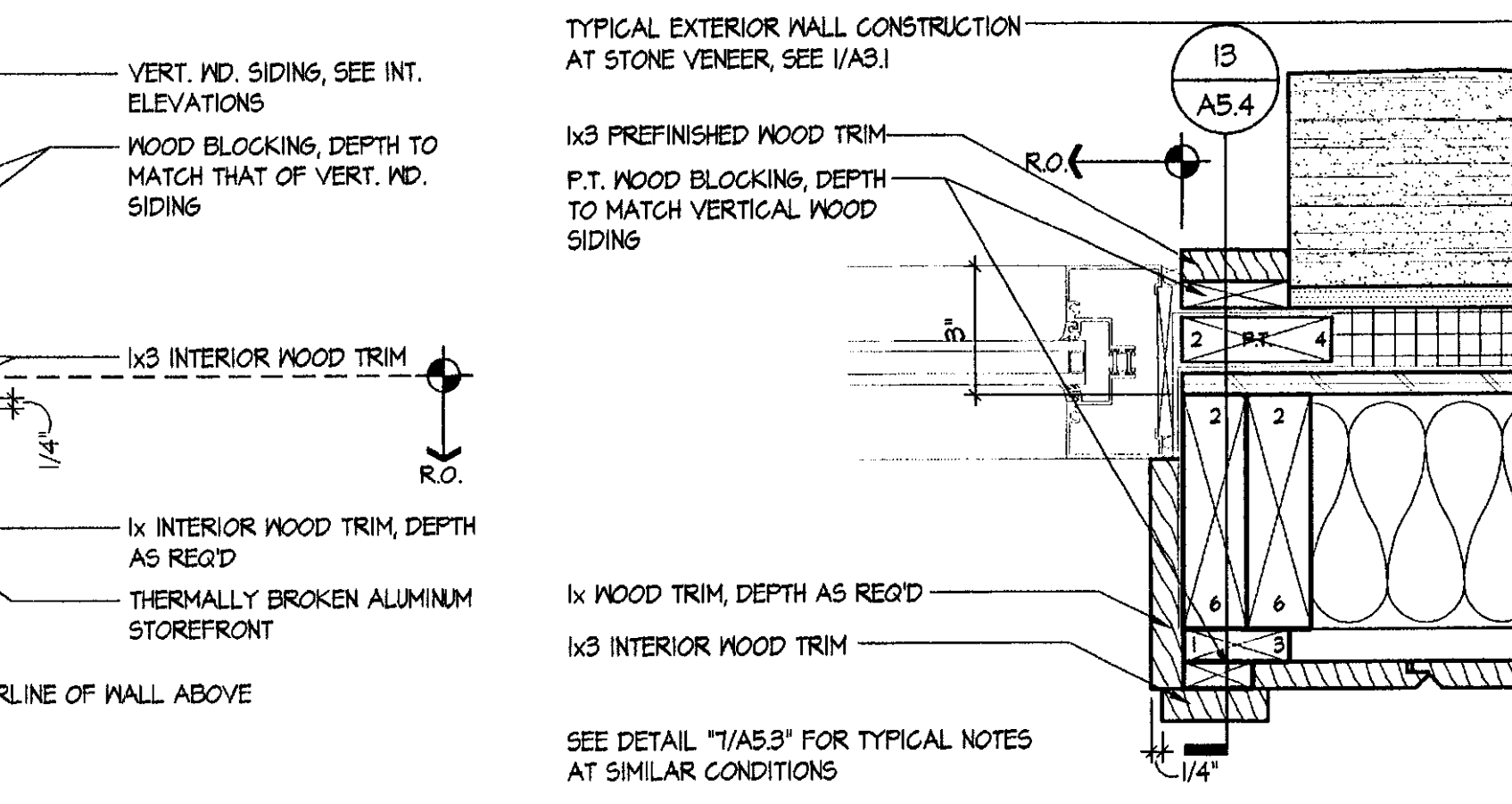
8 STOREFRONT JAMB DETAIL
SCALE: 3" = 1'-0"
2009_DTL-SF01



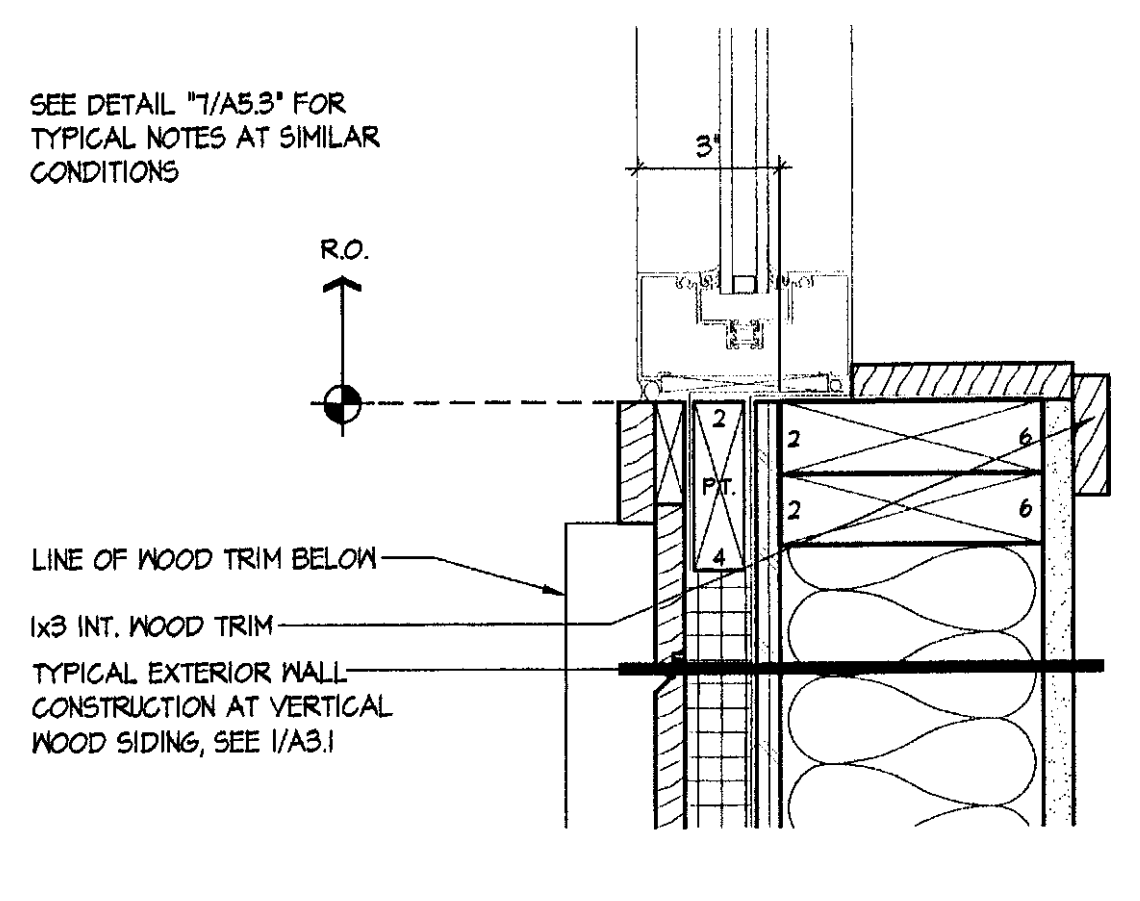
9 STOREFRONT SILL DETAIL
SCALE: 3" = 1'-0"
2009_M502



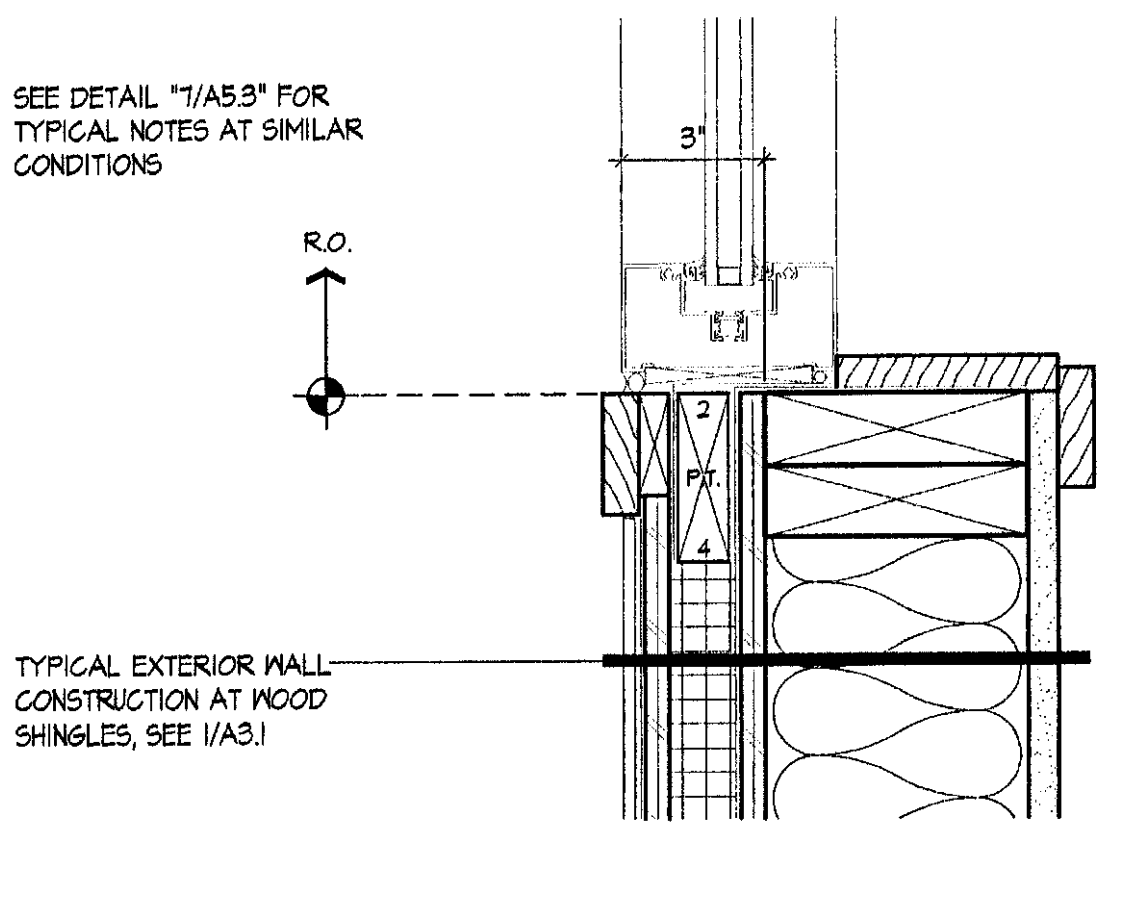
10 STOREFRONT JAMB DETAIL
SCALE: 3" = 1'-0"
2009_DTL-SF01



11 STOREFRONT HEAD DETAIL
SCALE: 3" = 1'-0"
2009_B505



12 STOREFRONT JAMB DETAIL
SCALE: 3" = 1'-0"
2009_DTL-SF01



13 STOREFRONT JAMB DETAIL
SCALE: 3" = 1'-0"
2009_DTL-SF01



NORTHERN ARCHITECTS
207 KING STREET
SUITE 3
BURLINGTON, VERMONT
05401-4502
802-658-1953

CONSULTANTS
CIVIL
KREBS AND LANSING
10 Main Street
Colchester VT 05446
(802)-878-0875
LANDSCAPE ARCHITECT
OHKW
1 Marble Ave.
Burlington VT 05401
(802)-864-0010
STRUCTURAL
RICHARD M. DOHERTY, P.E.
117 St. Paul Street
Burlington VT 05401
(802)-660-4212
PLUMBING, MECHANICAL
AND ELECTRICAL
DUPRESNE AND HENRY
Precision Park
North Springfield VT 05150-0024
(802)-886-2261

REVISIONS

PROJECT
DERBY WELCOME CENTER
PROJECT #1M 091-3(8)
NEW FACILITY
DERBY VERMONT

DATE: 01/01/2002
SCALE: AS NOTED
CHECKED: HS
PROJECT NO: 2003

STOREFRONT DETAILS

A5.3

© NORTHERN ARCHITECTS, INC. ALL RIGHTS RESERVED 2002