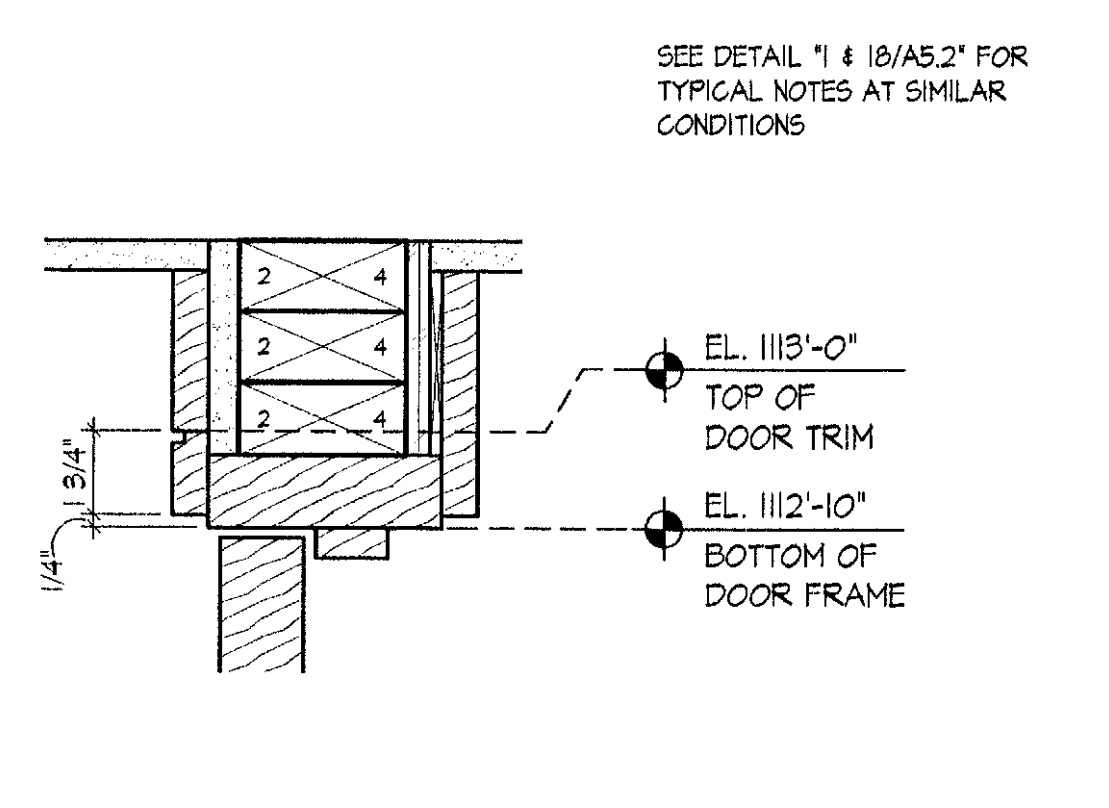
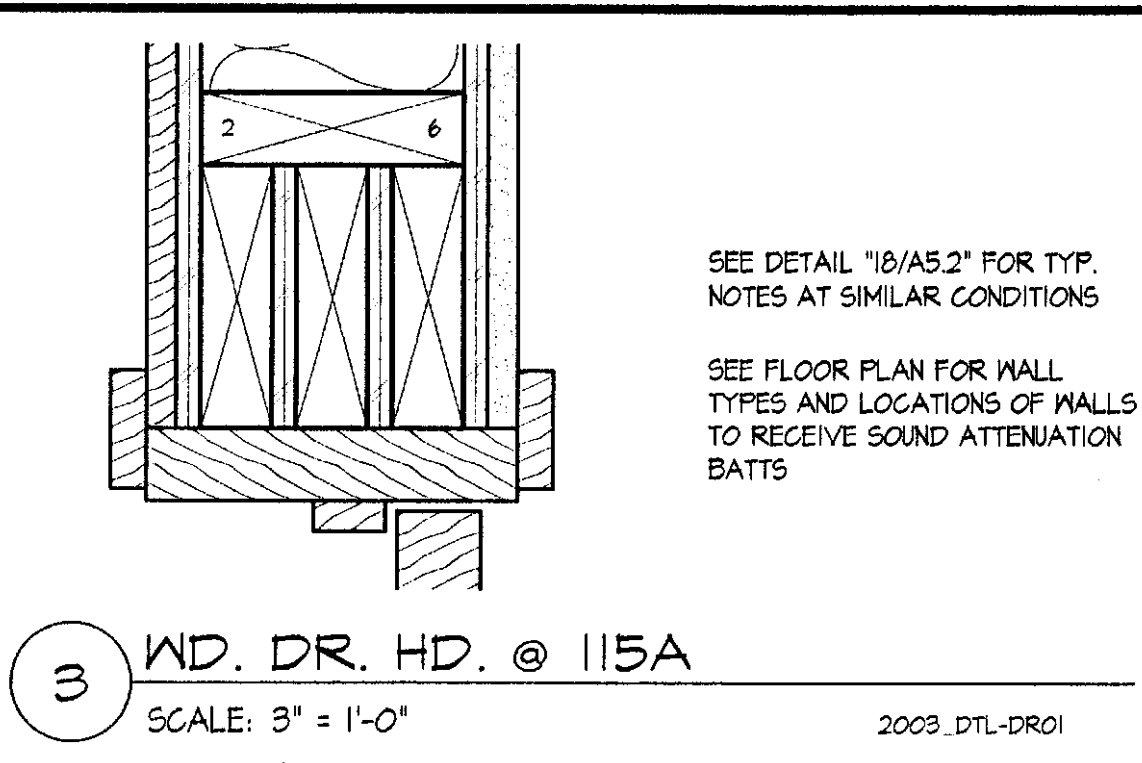


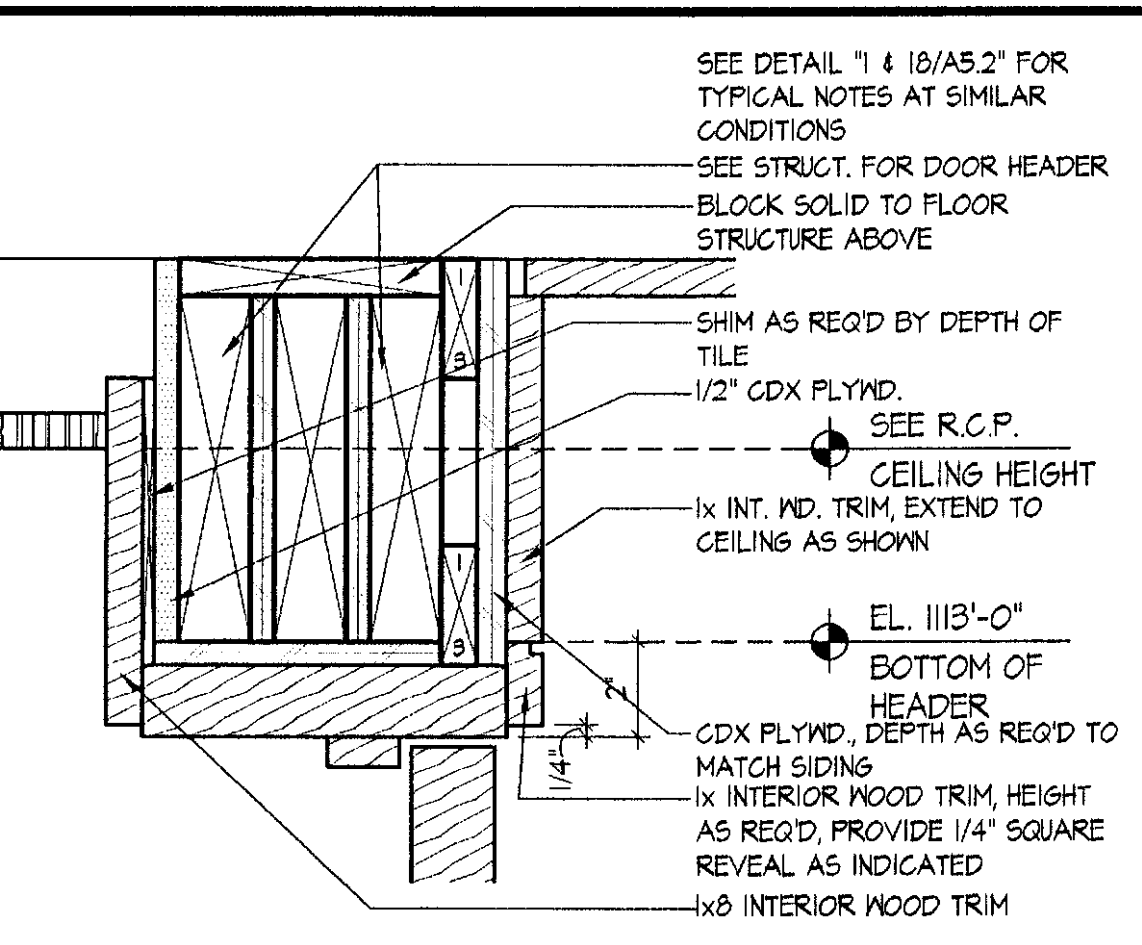
1 WD. DR. HD. @ 109A/113A SIM.  
SCALE: 3" = 1'-0" 2003\_DTL-DR01



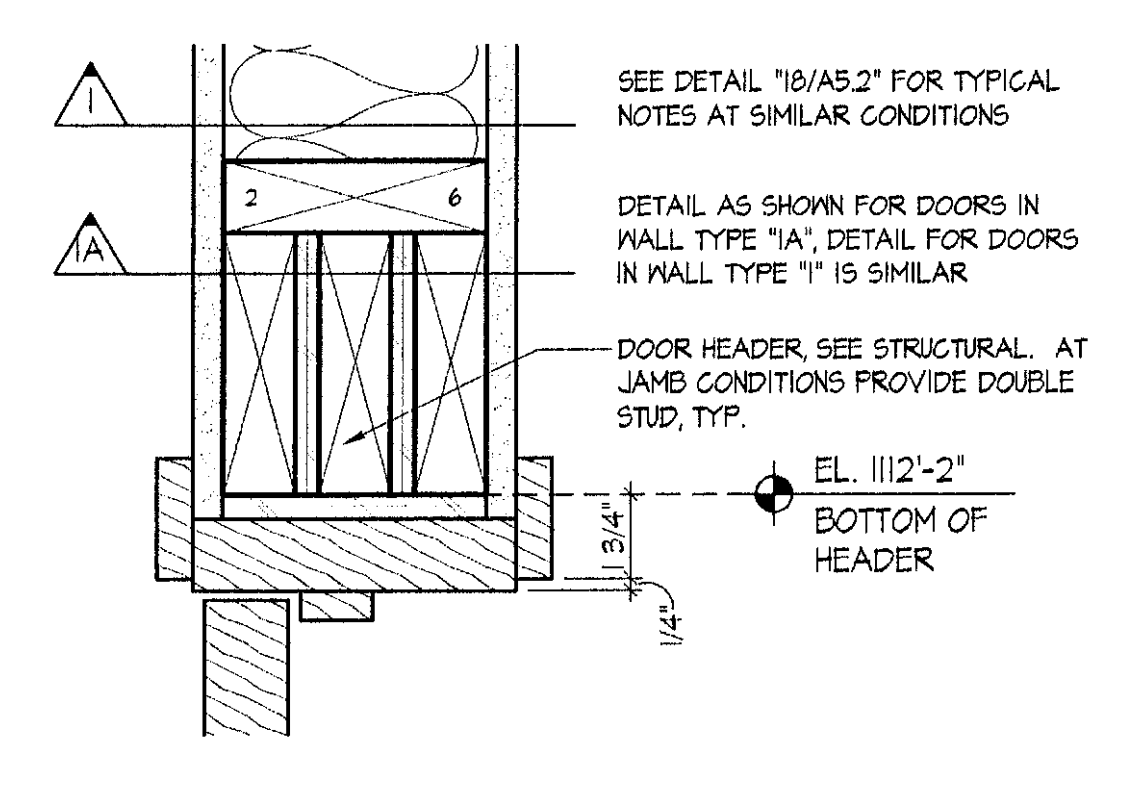
2 WD. DR. HD @ 111A/111B  
SCALE: 3" = 1'-0" 2003\_DTL-DR01



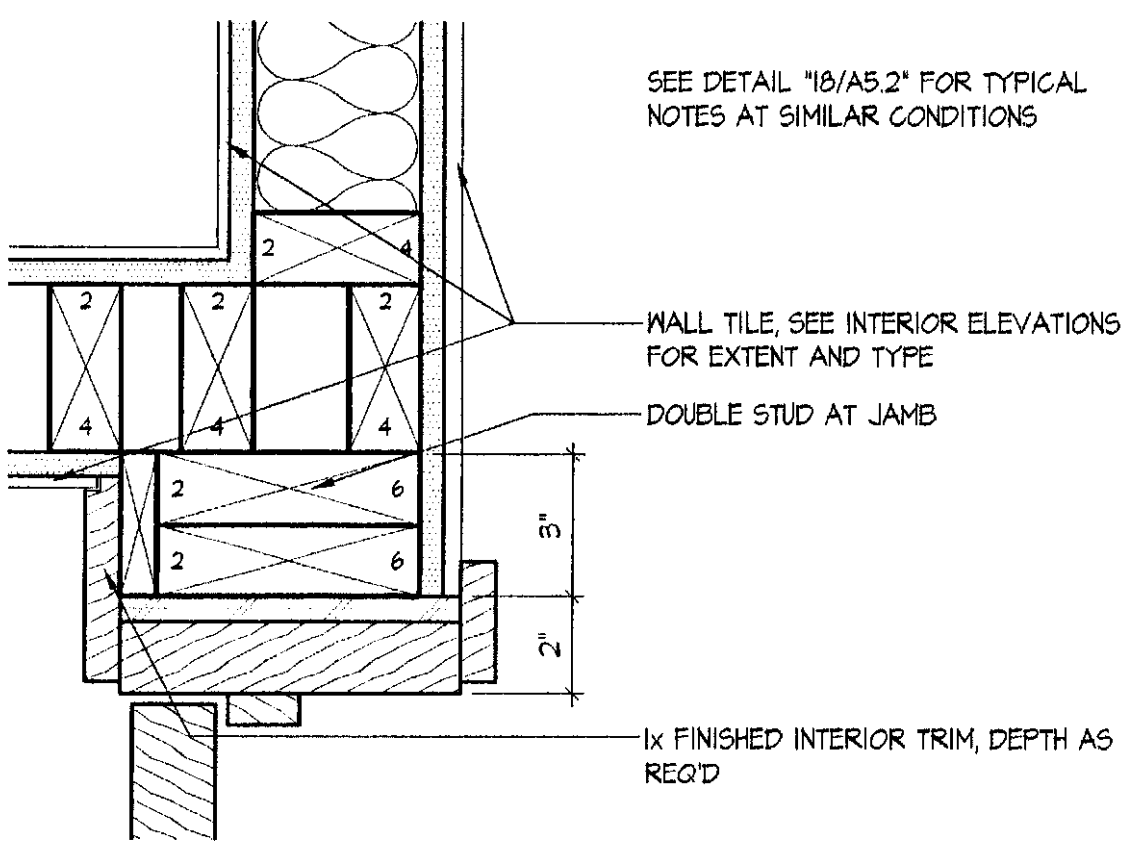
3 WD. DR. HD. @ 115A  
SCALE: 3" = 1'-0" 2003\_DTL-DR01



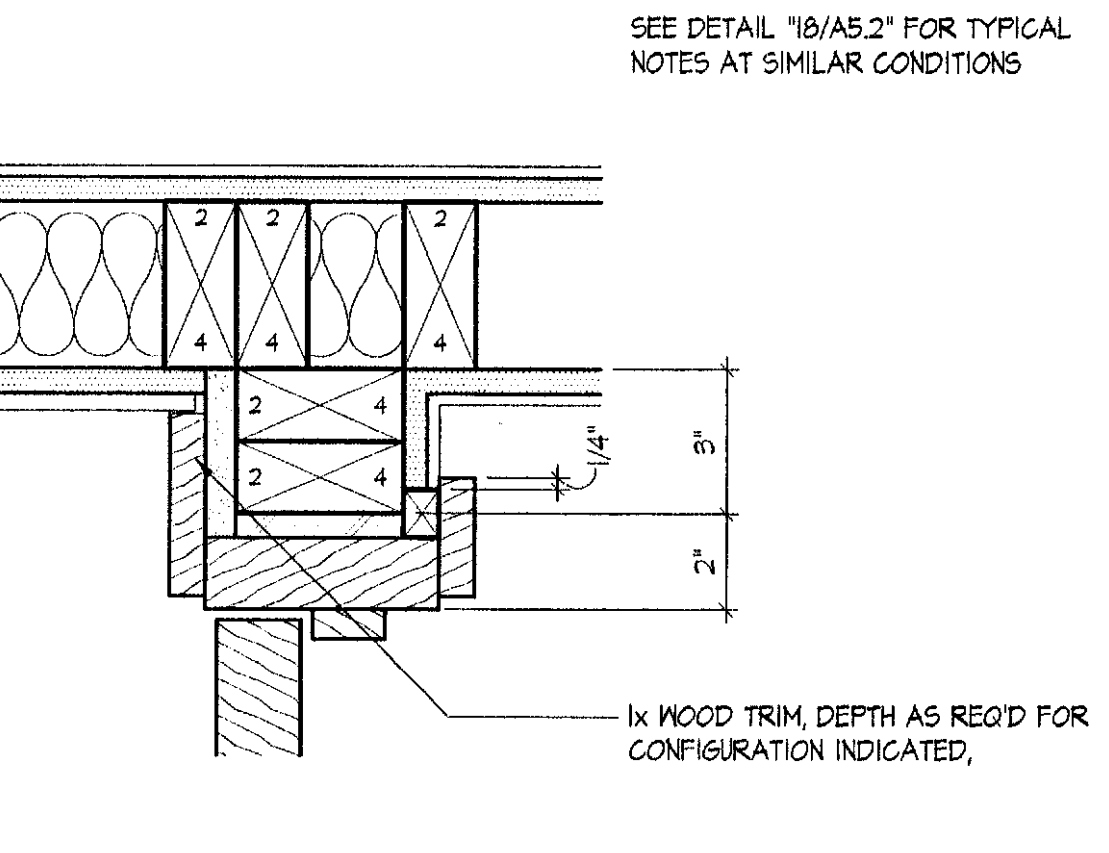
4 WD. DR. HD. @ 108A  
SCALE: 3" = 1'-0" 2003\_DTL-DR01



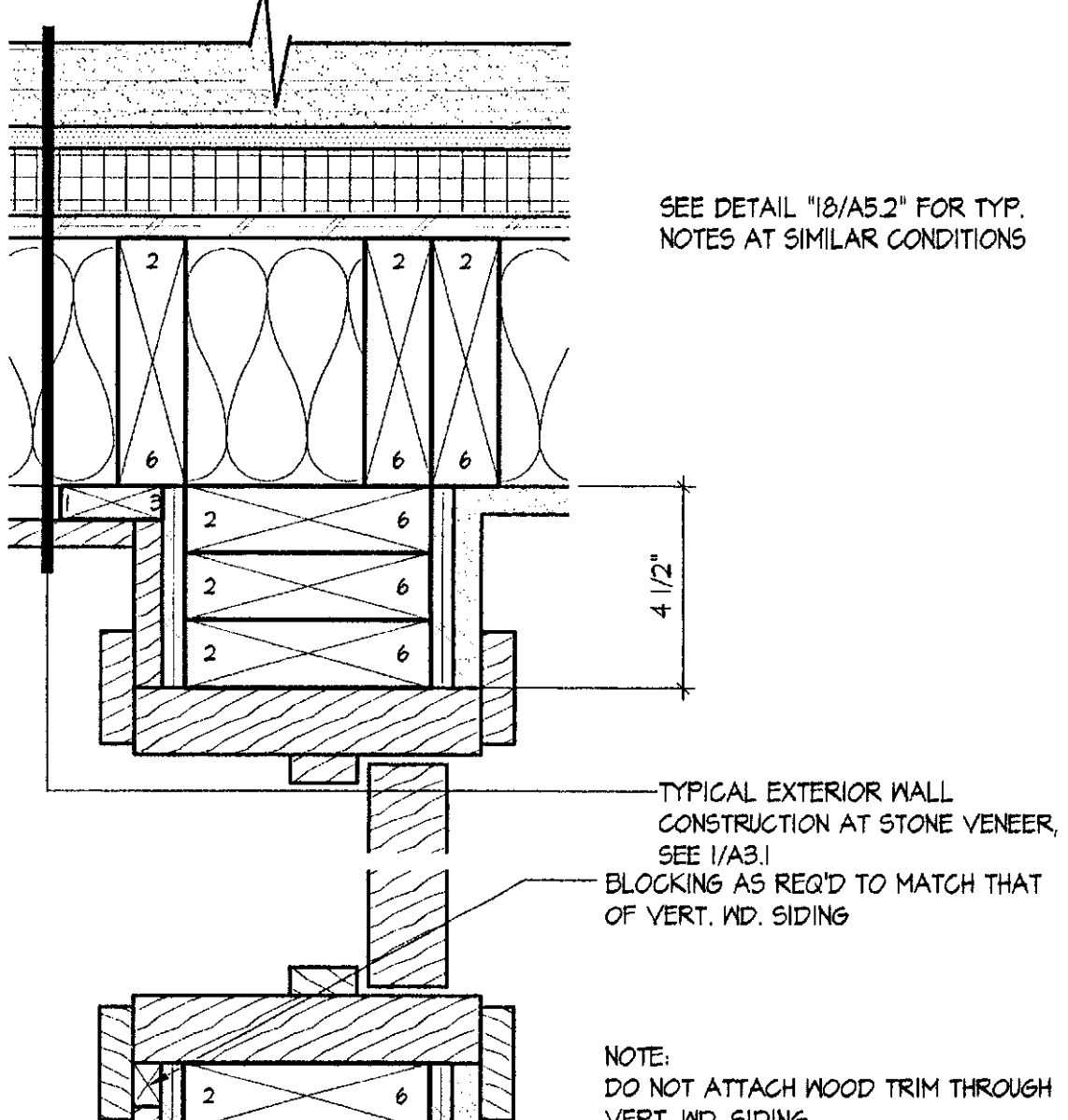
5 DR. HD./JAMB SIM. @ 103A/104A/105A  
SCALE: 3" = 1'-0" 2003\_DTL-DR01



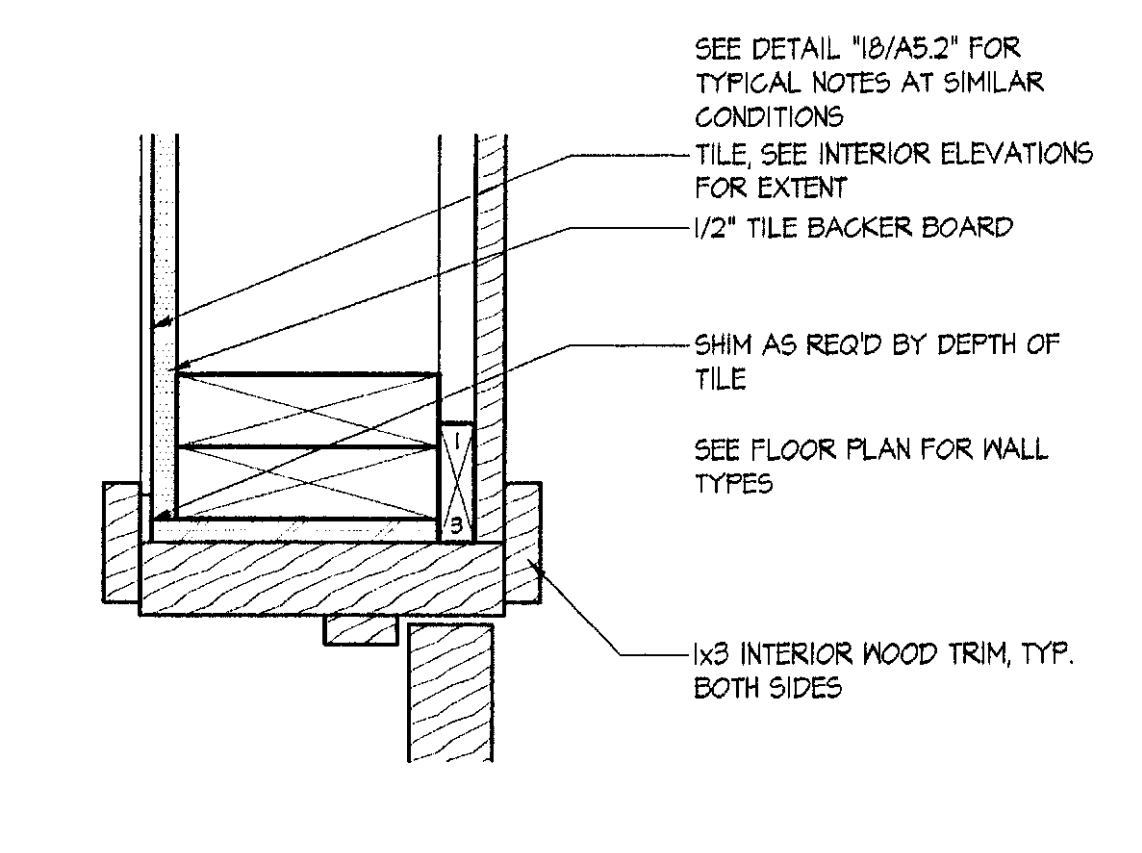
6 WD. DR. JAMB @ 109A  
SCALE: 3" = 1'-0" 2003\_DTL-DR01



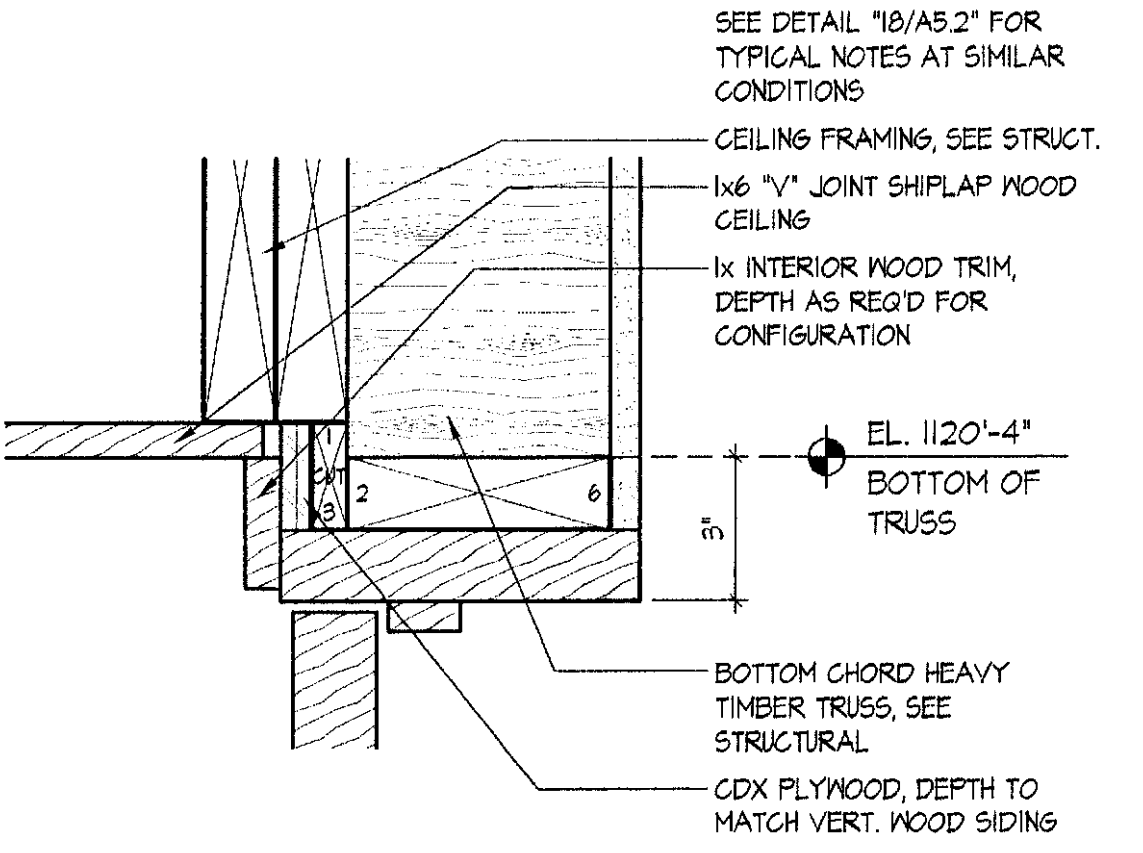
7 WD. DR. JAMB @ 111A  
SCALE: 3" = 1'-0" 2003\_DTL-DR01



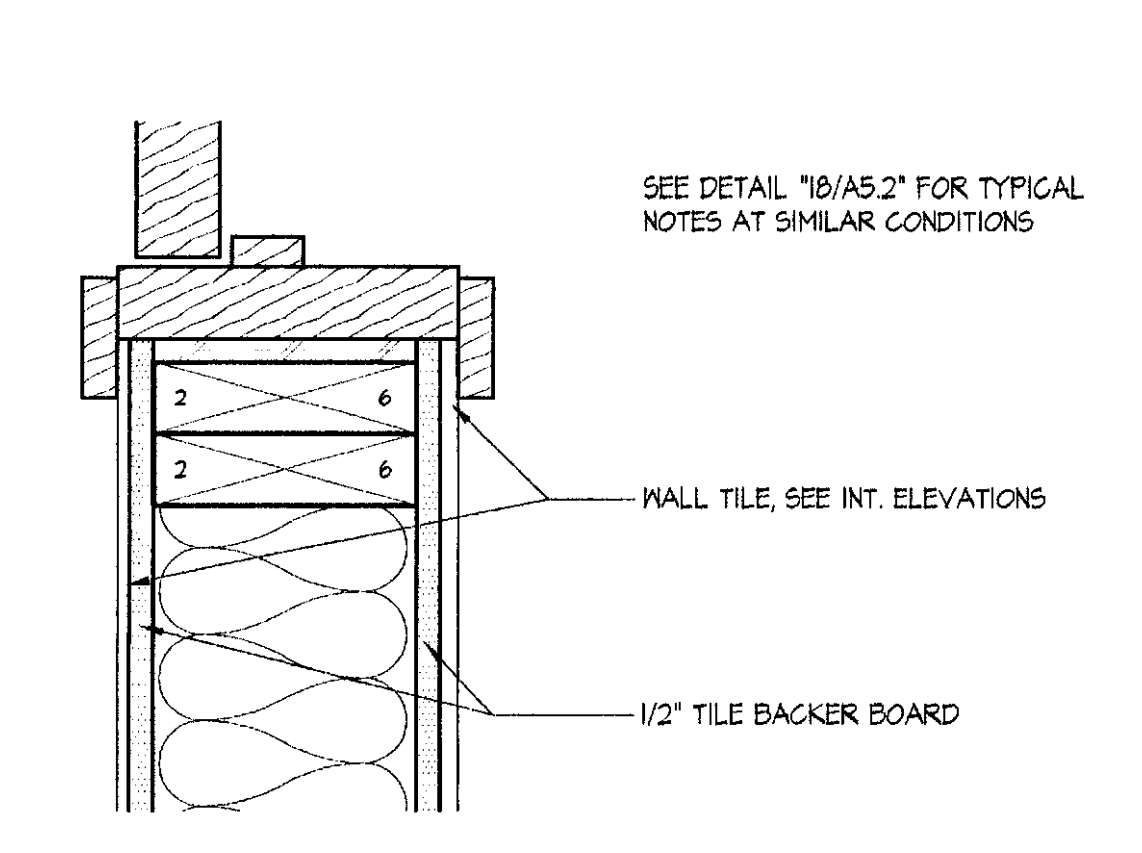
8 WD. DR. HD./JAMB SIM. @ 102B  
SCALE: 3" = 1'-0" 2003\_DTL-DR01



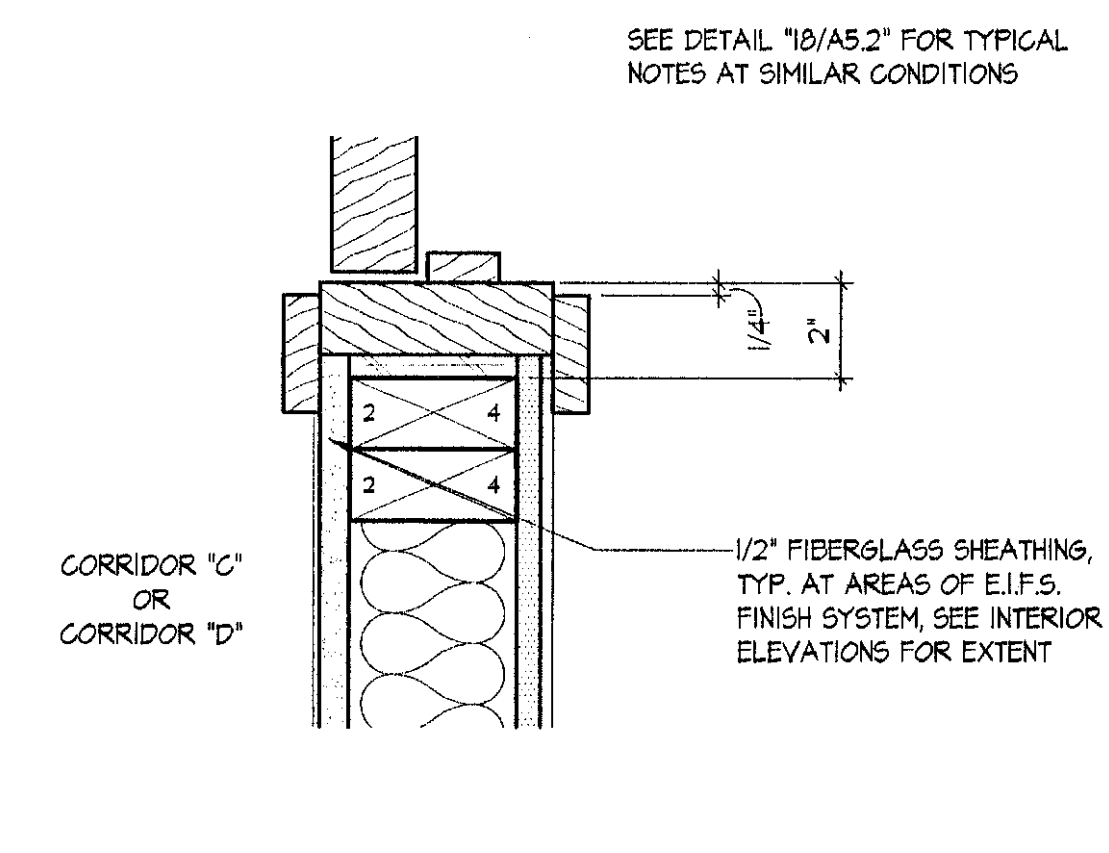
9 WD. DR. JAMB @ 108A  
SCALE: 3" = 1'-0" 2003\_DTL-DR01



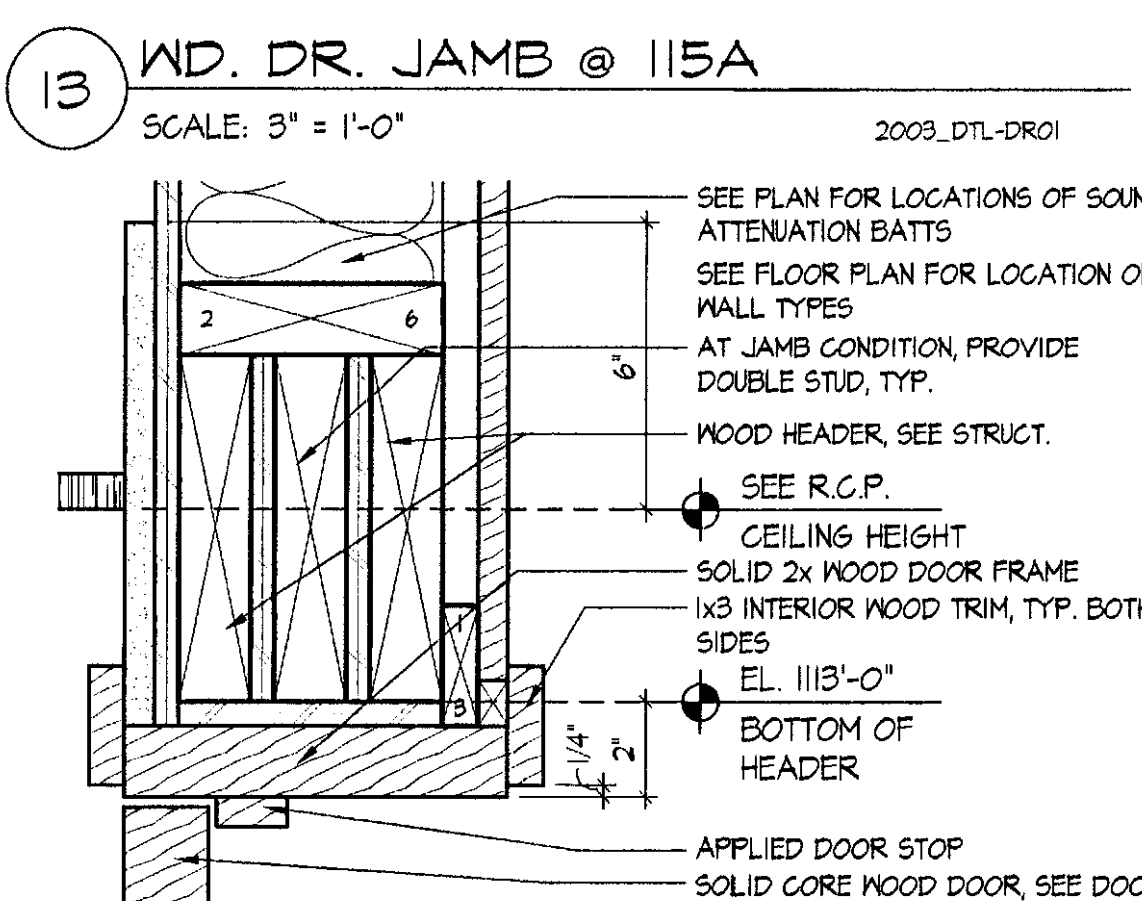
10 WD. DR. HEAD @ 200A  
SCALE: 3" = 1'-0" 2003\_DTL-DR01



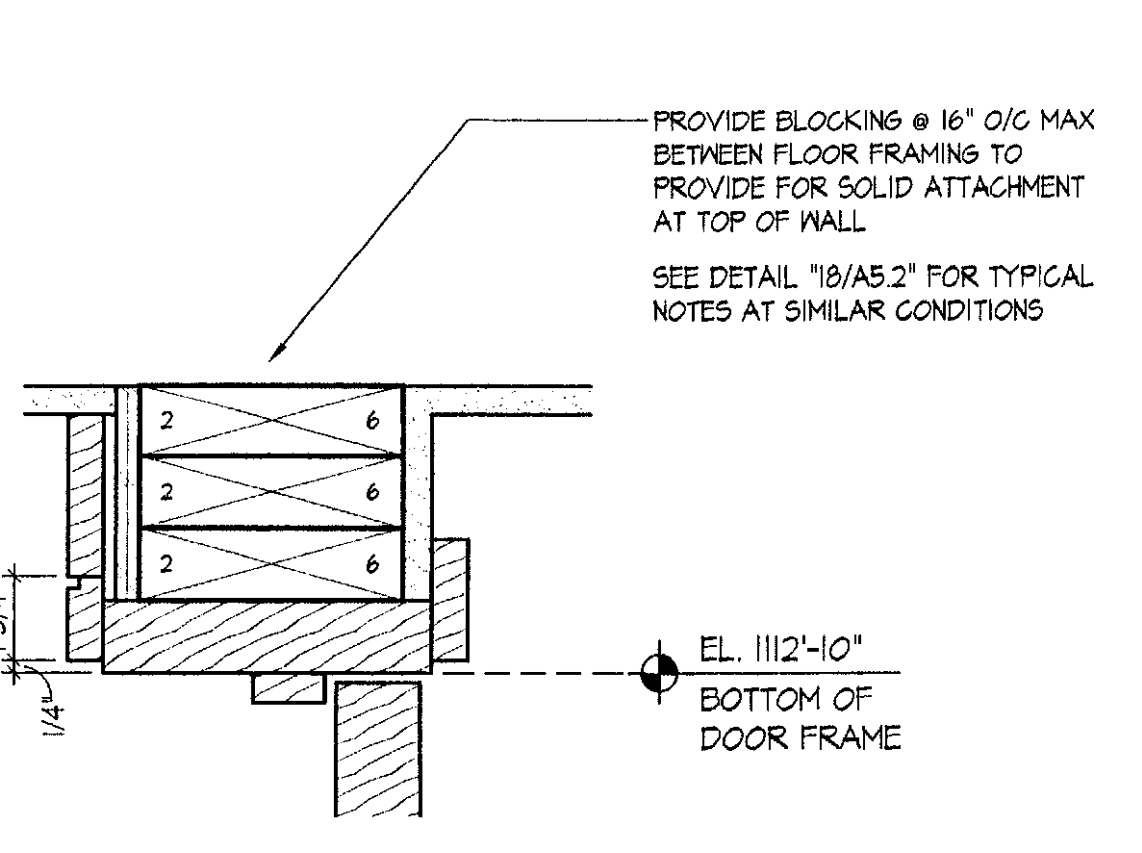
11 WD. DR. JAMB @ 109A/113A  
SCALE: 3" = 1'-0" 2003\_DTL-DR01



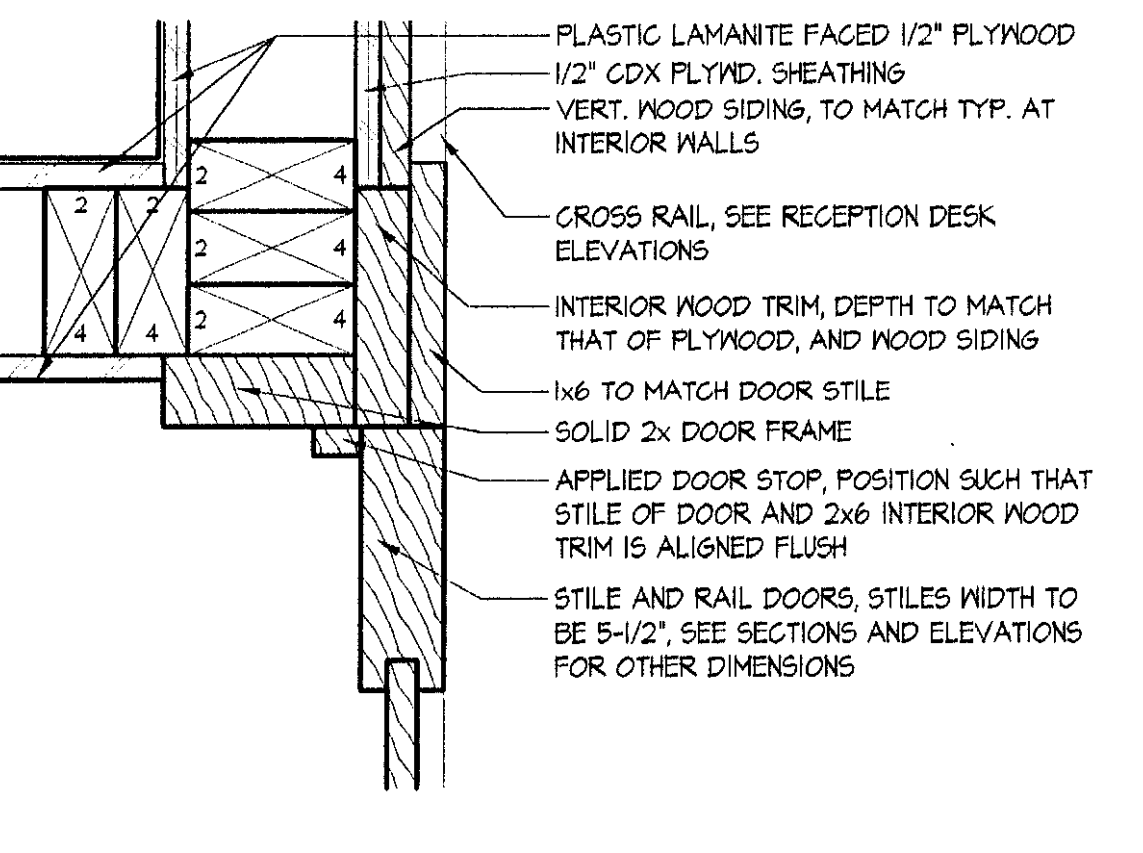
12 WD. DR. JAMB @ 111A/111B  
SCALE: 3" = 1'-0" 2003\_DTL-DR01



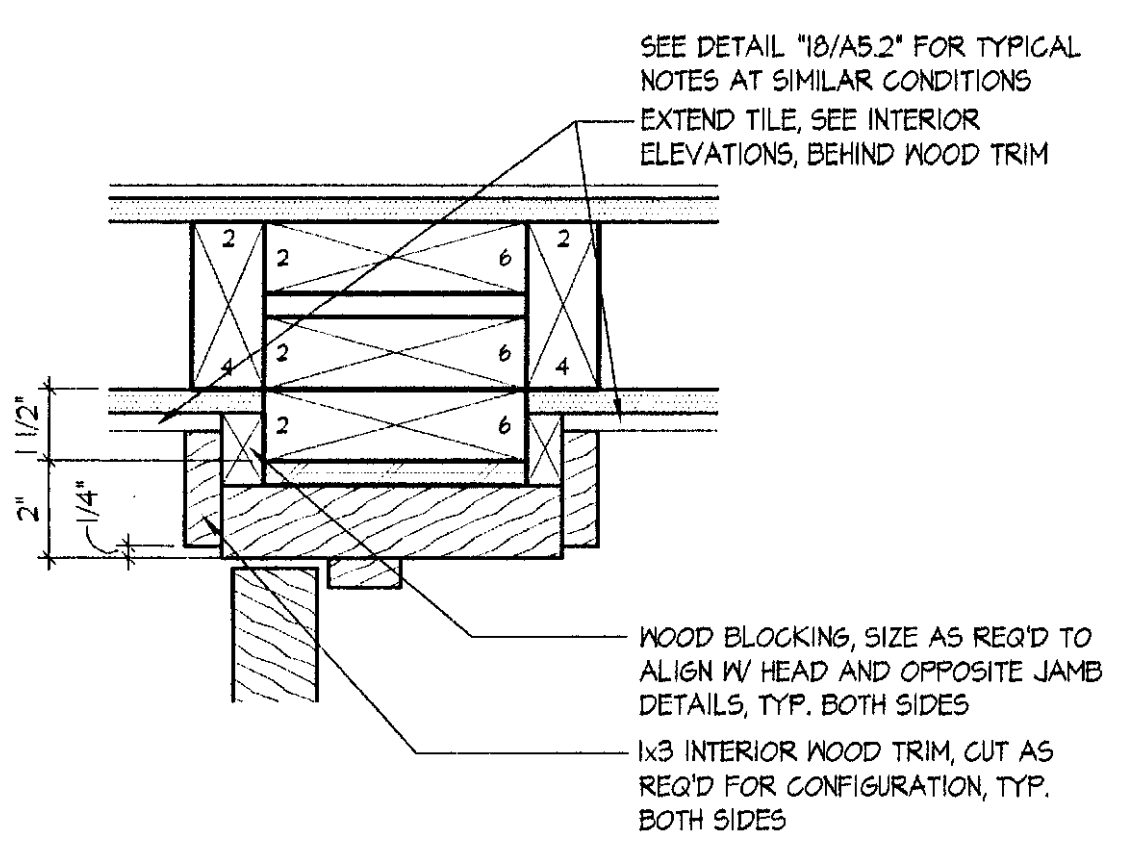
13 WD. DR. JAMB @ 115A  
SCALE: 3" = 1'-0" 2003\_DTL-DR01



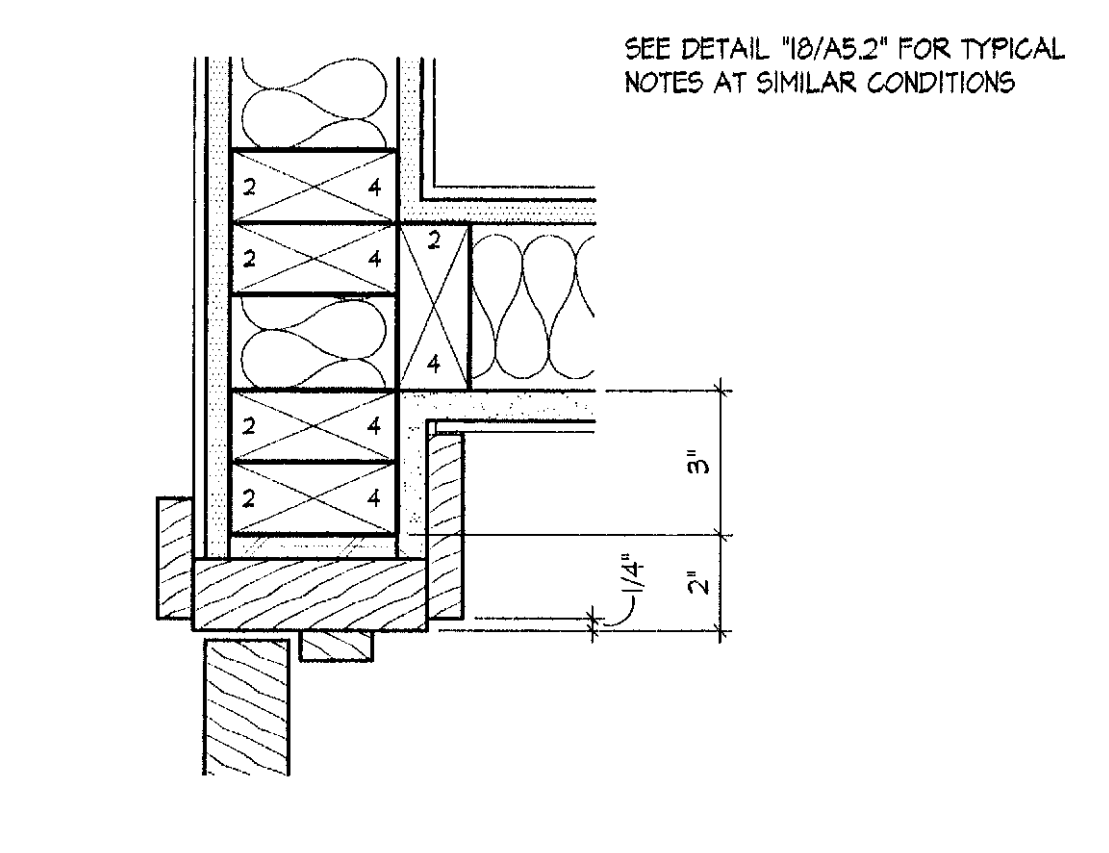
14 WD. DR. HD. @ 114A  
SCALE: 3" = 1'-0" 2003\_DTL-DR01



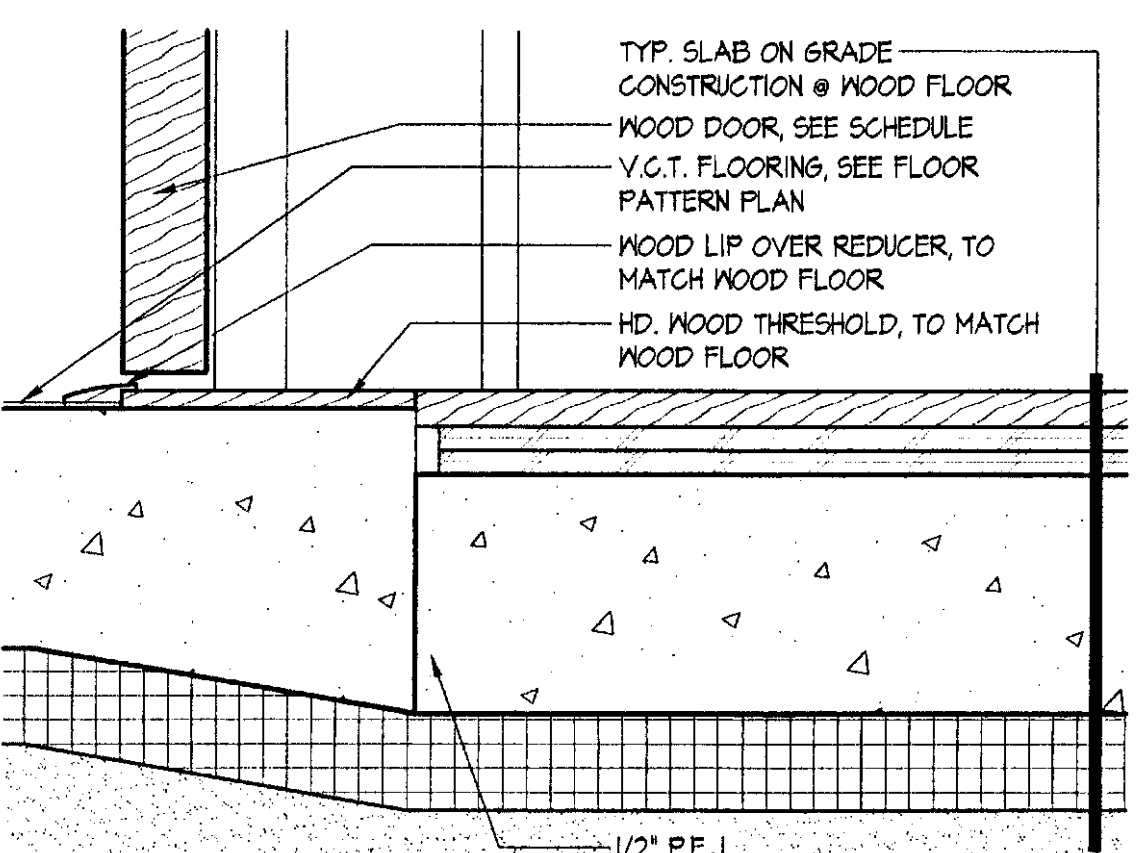
15 DOOR #101 JAMB DTL.  
SCALE: 3" = 1'-0" 2003\_DTL-DR01



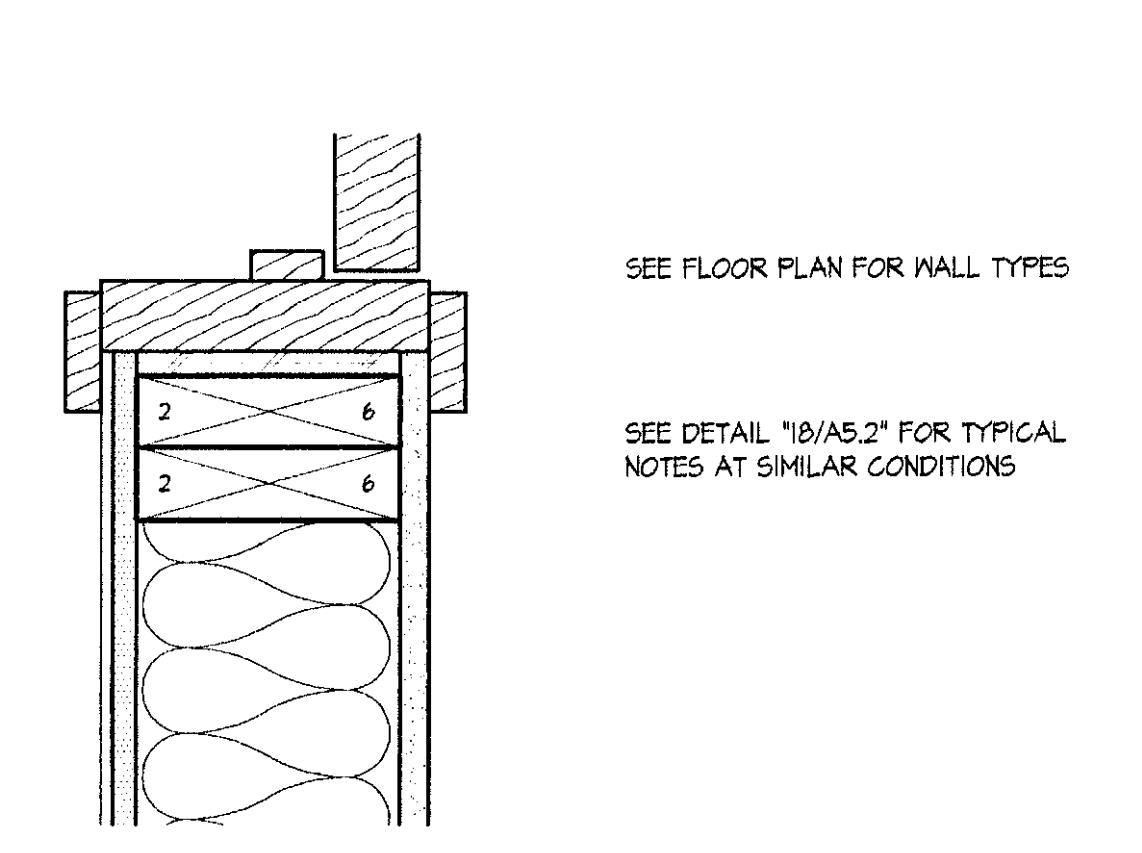
16 WD. DR. JAMB @ 113A  
SCALE: 3" = 1'-0" 2003\_DTL-DR01



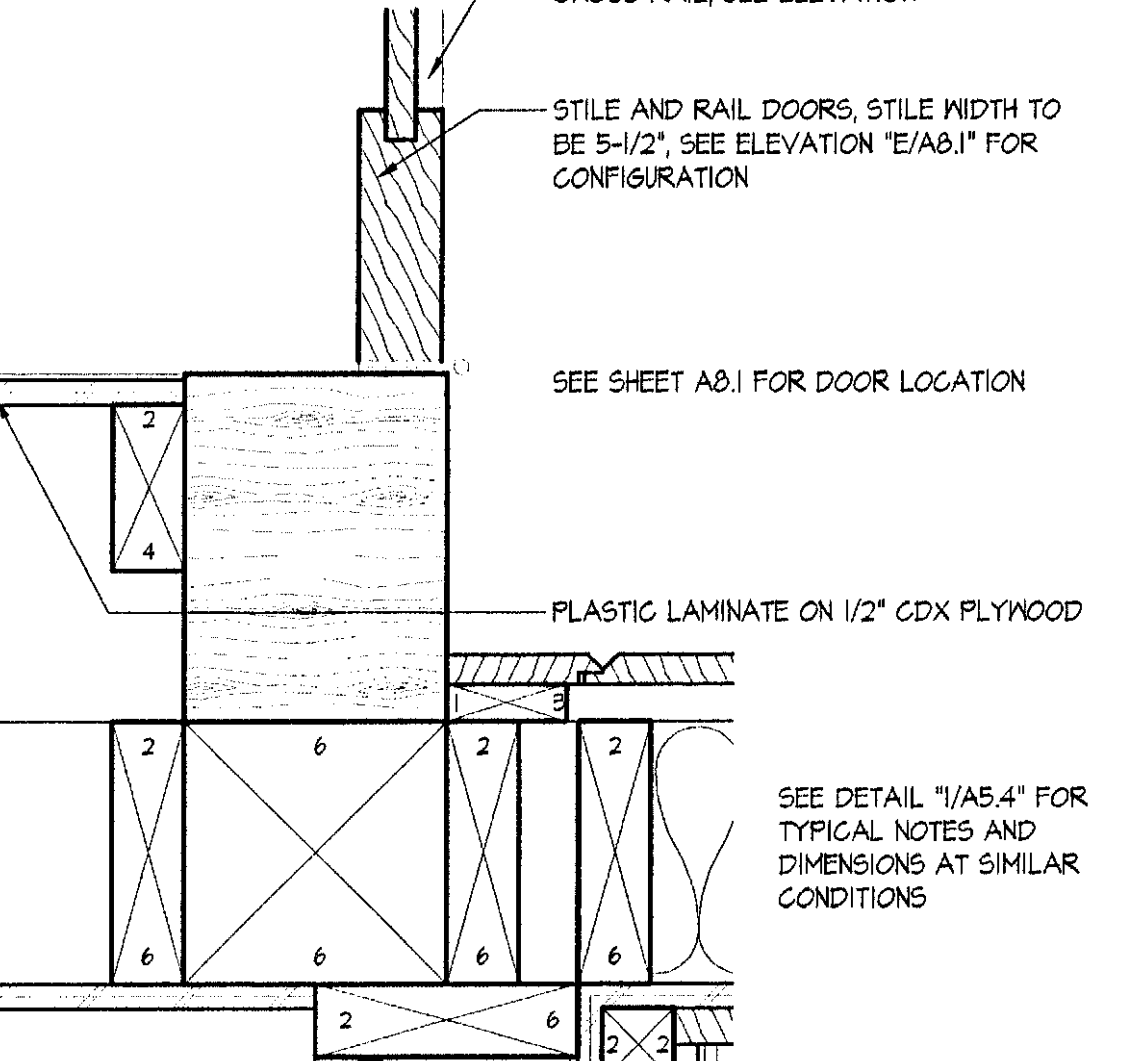
17 WD. DR. JAMB @ 111B  
SCALE: 3" = 1'-0" 2003\_DTL-DR01



18 WD. DR. HD./JAMB SIM. @ 102B  
SCALE: 3" = 1'-0" 2003\_DTL-DR01



19 WD. DR. JAMB @ 114A  
SCALE: 3" = 1'-0" 2003\_DTL-DR01



20 WD. DR. SILL @ 102B  
SCALE: 3" = 1'-0" 2003\_B501



**NORTHERN ARCHITECTS**  
207 KING STREET SUITE 3  
BURLINGTON, VERMONT 05401-4502  
802-658-1953

CONSULTANTS  
CIVIL  
KREBS AND LANEING  
10 Main Street  
Colchester VT 05446  
(802)-876-0975  
LANDSCAPE ARCHITECT  
**OHKW**  
1 Martine Ave.  
Burlington VT 05401  
(802)-864-0010  
STRUCTURAL  
RICHARD M. DOHERTY, P.E.  
117 St. Paul Street  
Burlington VT 05401  
(802)-660-4212  
PLUMBING, MECHANICAL  
AND ELECTRICAL  
DUFRESNE AND HENRY  
Precision Park  
North Springfield VT 05150-0029  
(802)-886-2261

REVISIONS

PROJECT  
**DERBY WELCOME CENTER**  
PROJECT #1M 091-3(8)  
NEW FACILITY  
DERBY VERMONT

DATE: 01/07/2002  
SCALE: AS NOTED  
CHECKED: HS  
PROJECT NO: 2003

**WOOD DOOR DETAILS**

**A5.2**

© NORTHERN ARCHITECTS INC. ALL RIGHTS RESERVED 2002