



NORTHERN ARCHITECTS
 207 KING STREET
 SUITE 3
 BURLINGTON, VERMONT
 05401-4502
 802-658-1953

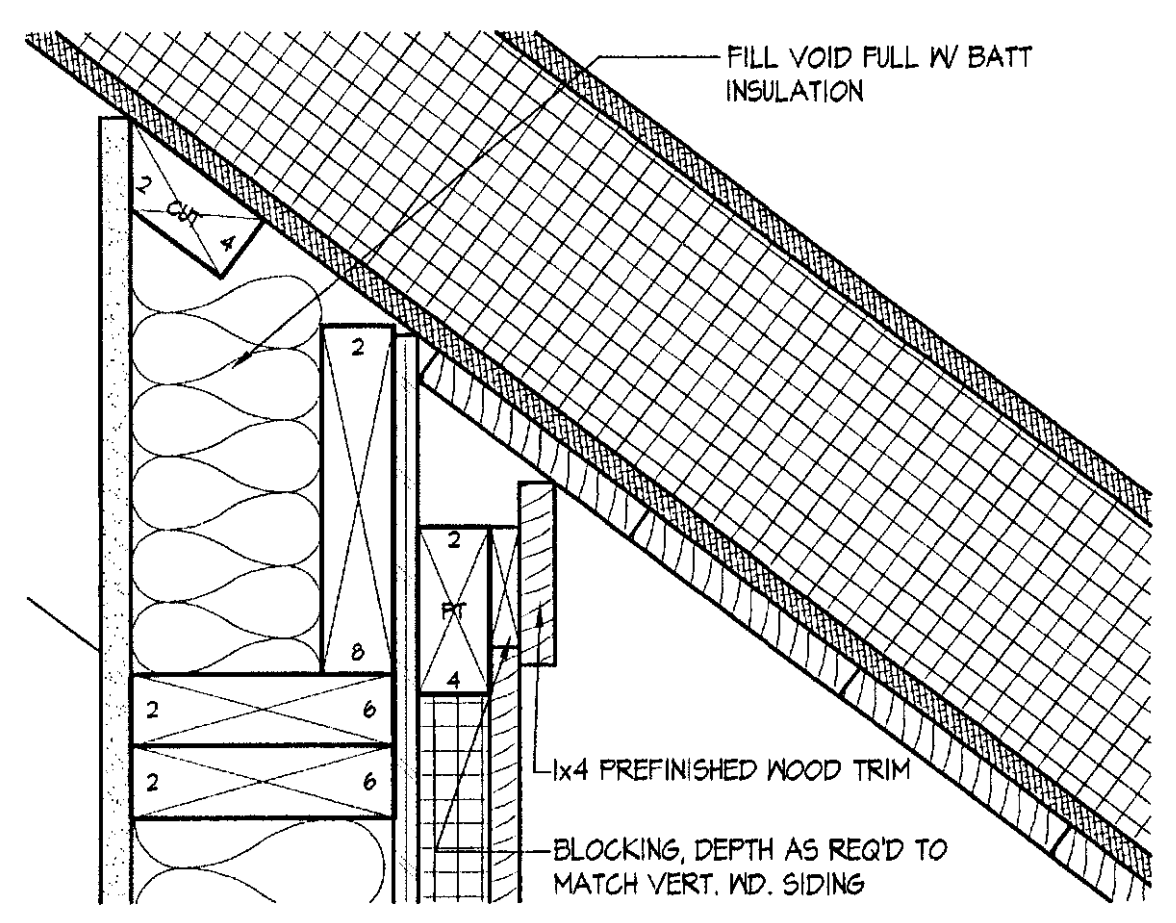
CONSULTANTS
 CIVIL
 KREBS AND LANSING
 10 Main Street
 Colchester VT 05446
 (802)-878-0375
 LANDSCAPE ARCHITECT
OHKW
 7 Marble Ave.
 Burlington VT 05401
 (802)-864-0010
 STRUCTURAL
 RICHARD M. DORSETT, P.E.
 117 St. Paul Street
 Burlington VT 05401
 (802)-660-4212
 PLUMBING, MECHANICAL,
 AND ELECTRICAL
 DUFRESNE AND HENRY
 Precision Park
 North Springfield VT 05150-0029
 (802)-886-2261

REVISIONS

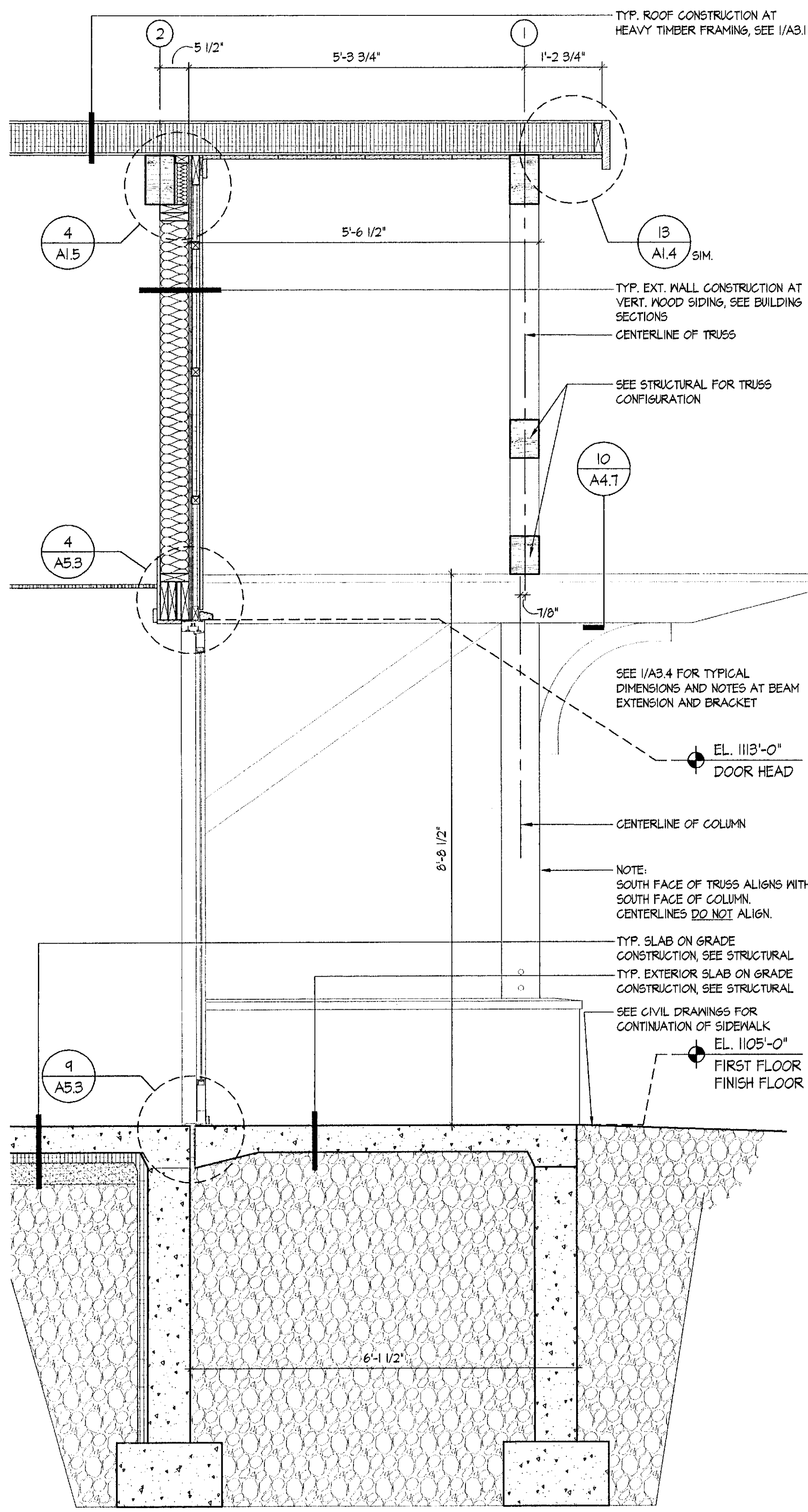
PROJECT
DERBY WELCOME CENTER
 PROJECT #1091-3(8)
 NEW FACILITY
 DERBY VERMONT
 DATE: 01/07/2002
 SCALE: AS NOTED
 CHECKED: HS
 PROJECT NO: 2003

WALL SECTIONS

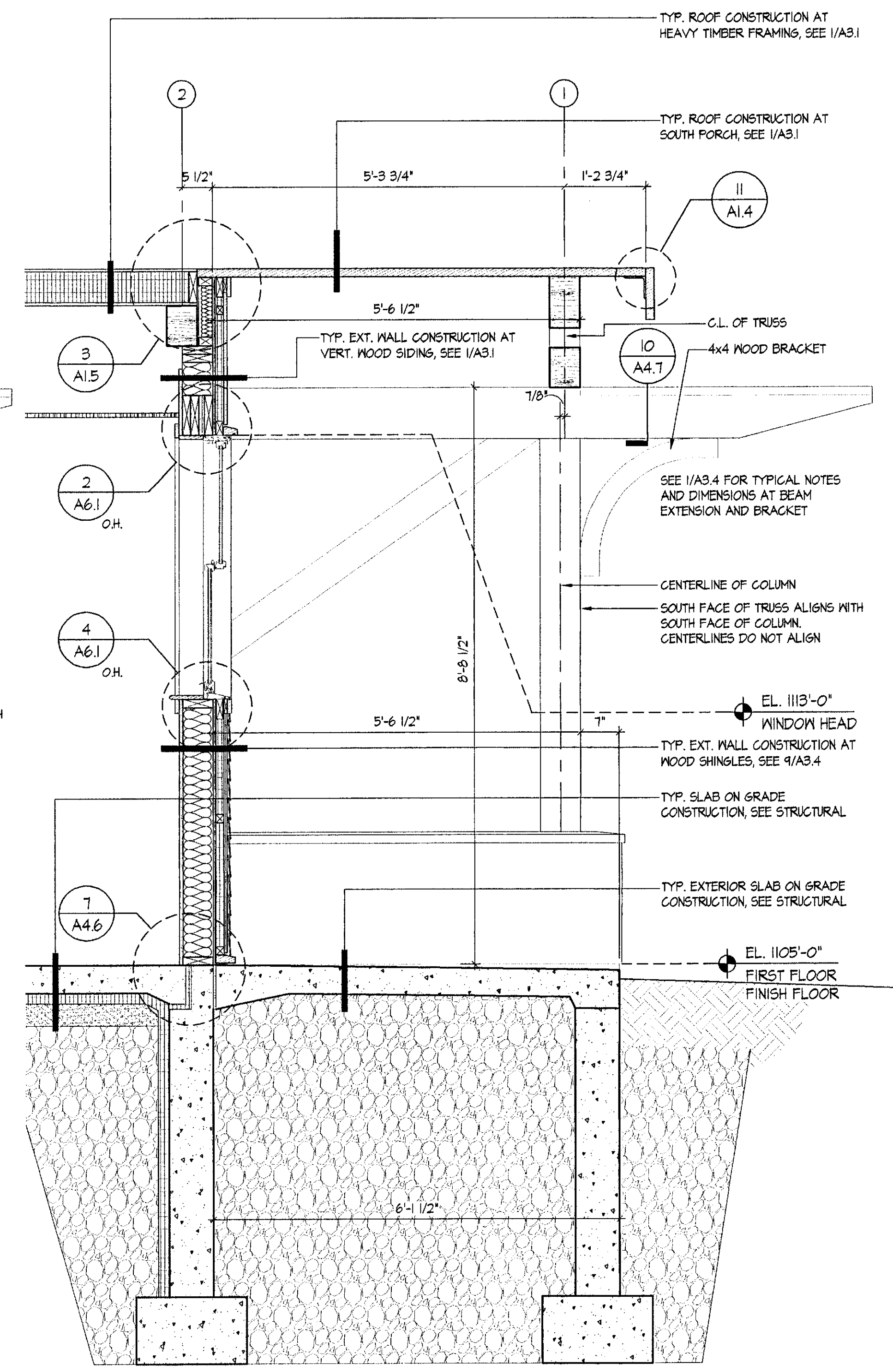
A4.5



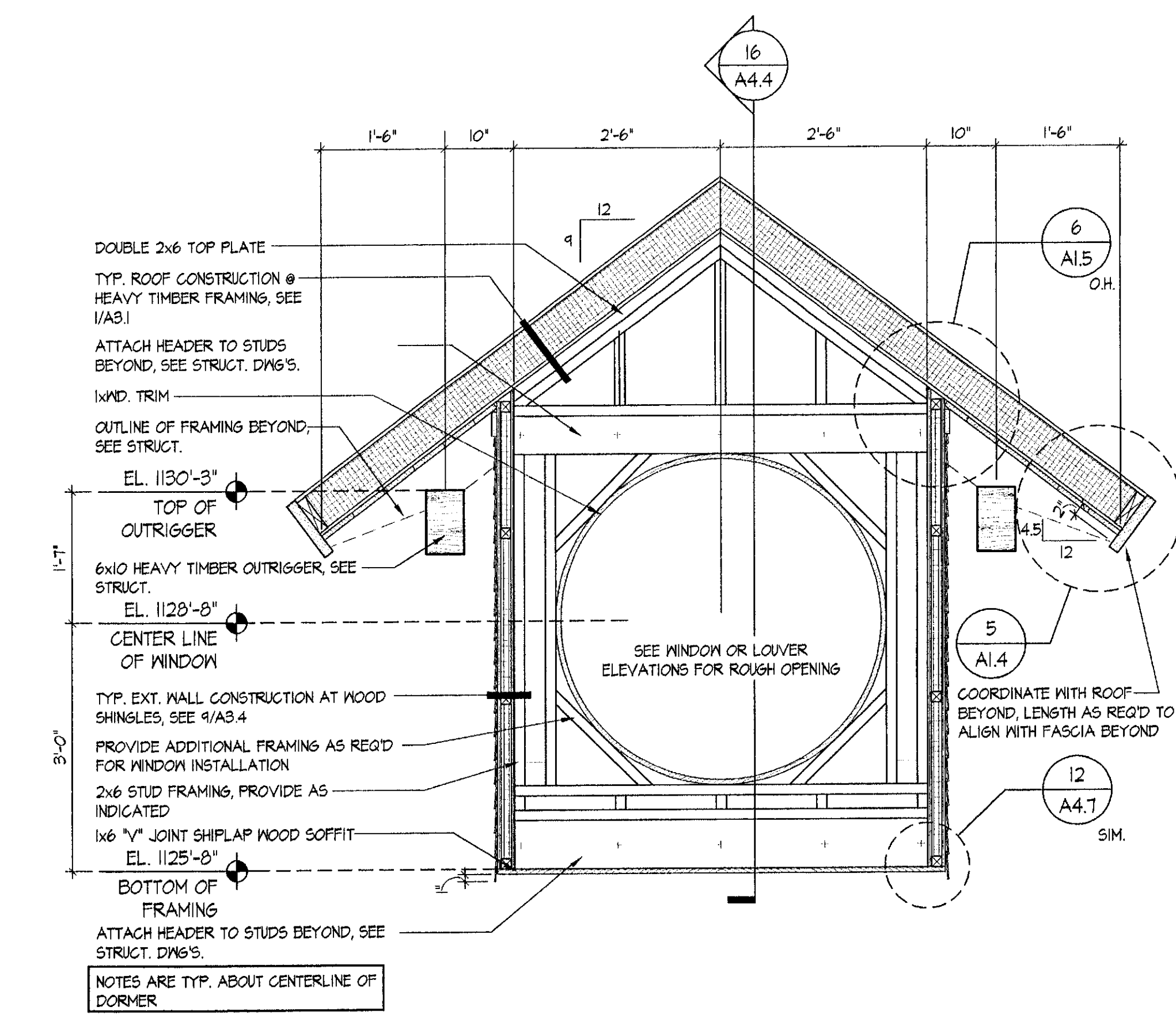
1 ROOF TO WALL TRANSITION DETAIL
 SCALE: 3" = 1'-0"
 2003_B503



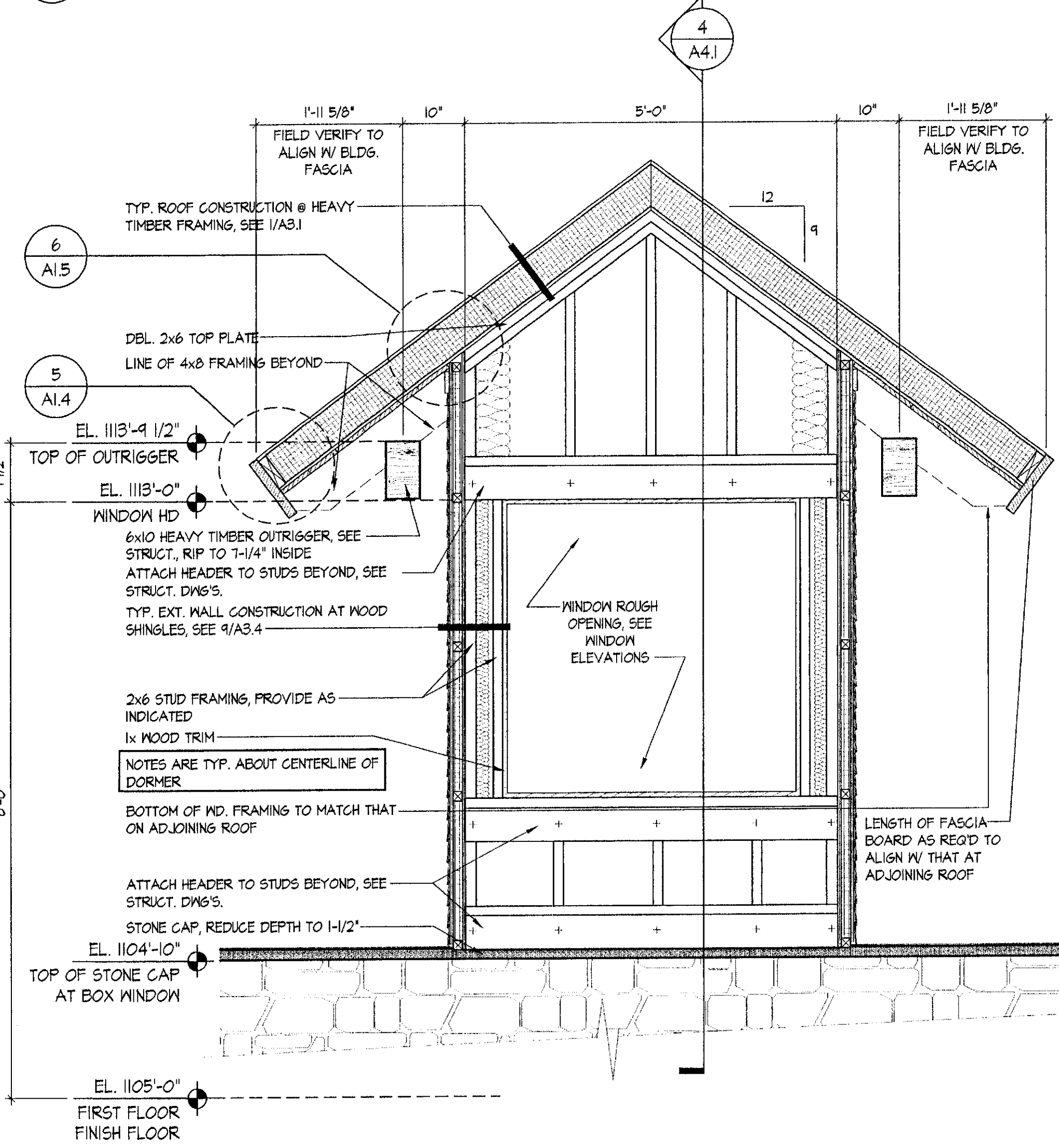
19 EXTERIOR WALL SECTION
 SCALE: 3/4" = 1'-0"
 2003_M502



20 EXTERIOR WALL SECTION
 SCALE: 3/4" = 1'-0"
 2003_M503



22 EXTERIOR WALL SECTION
 SCALE: 3/4" = 1'-0"
 2003_M501



21 EXTERIOR WALL SECTION
 SCALE: 3/4" = 1'-0"
 2003_M505

© NORTHERN ARCHITECTS INC. ALL RIGHTS RESERVED 2002