

**NORTHERN ARCHITECTS**

207 KING STREET  
SUITE 3  
BURLINGTON, VERMONT  
05401-4502  
802-658-1953

CONSULTANTS  
CIVIL  
KREBS AND LANGS  
10 Main Street  
Colchester VT 05446  
(802)-818-0875  
LANDSCAPE ARCHITECT  
**OHKW**  
71 Marble Ave.  
Burlington VT 05401  
(802)-864-0010  
STRUCTURAL  
RICHARD M. DOHERTY, P.E.  
111 St. Paul Street  
Burlington VT 05401  
(802)-660-4212  
PLUMBING, MECHANICAL  
AND ELECTRICAL  
DUFRESNE AND HENRY  
Precision Park  
North Springfield VT 05150-0029  
(802)-886-2281

REVISIONS

NO.	DATE	DESCRIPTION

PROJECT

**DERBY WELCOME CENTER**  
PROJECT #10 091-3(8)

NEW FACILITY

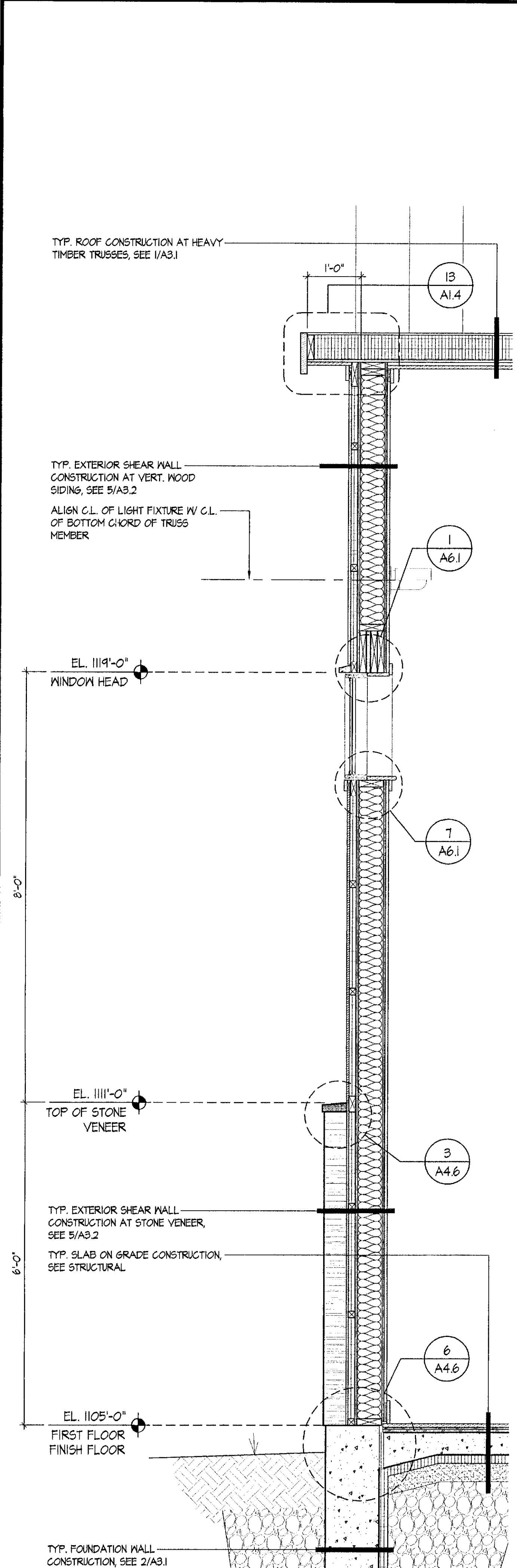
DERBY VERMONT

DATE: 01/01/2002  
SCALE: AS NOTED  
CHECKED: HS  
PROJECT NO: 2009

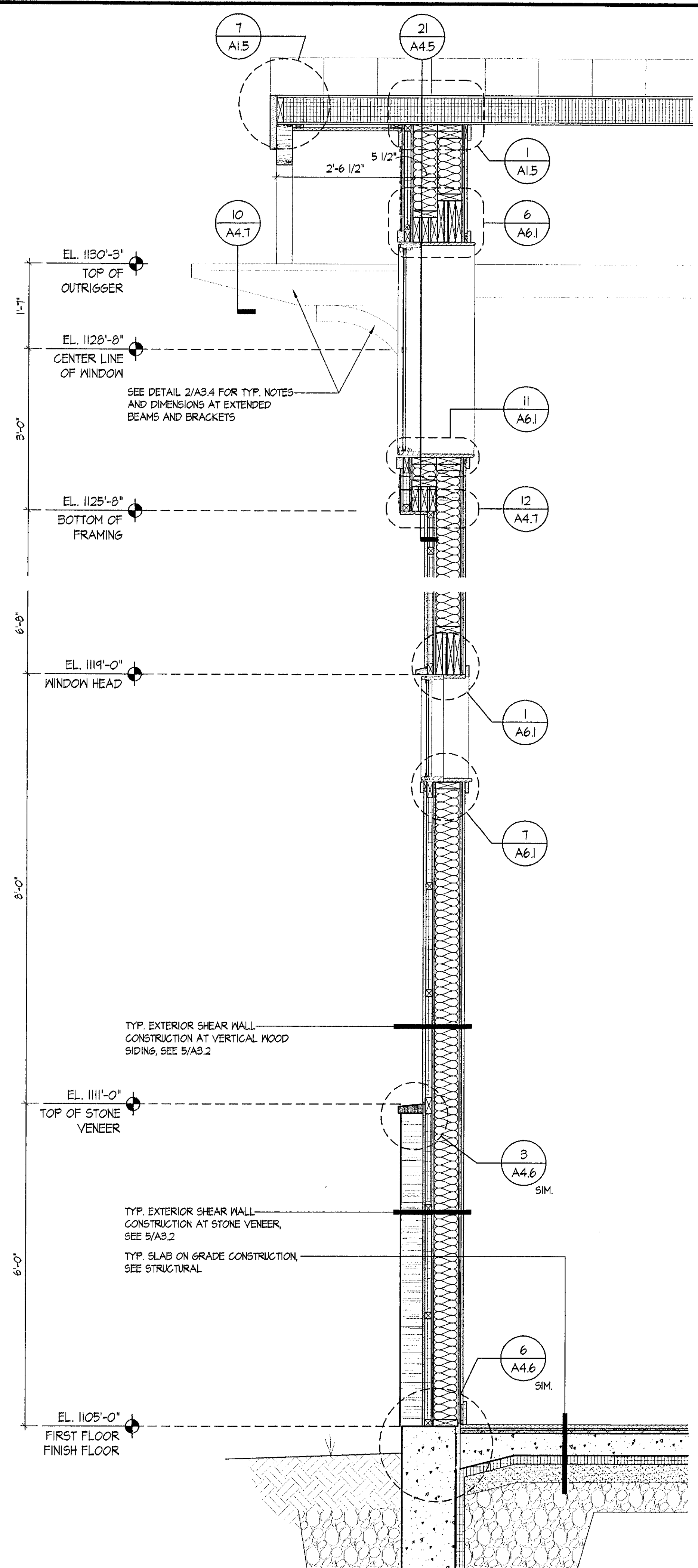
WALL SECTIONS

**A4.4**

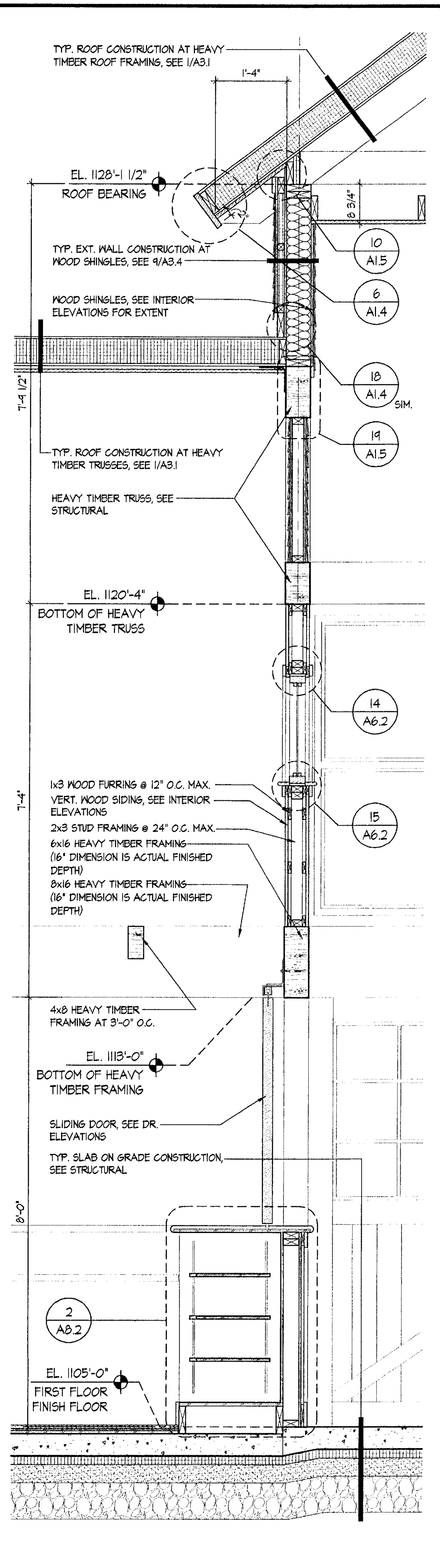
© NORTHERN ARCHITECTS INC. ALL RIGHTS RESERVED 2002.



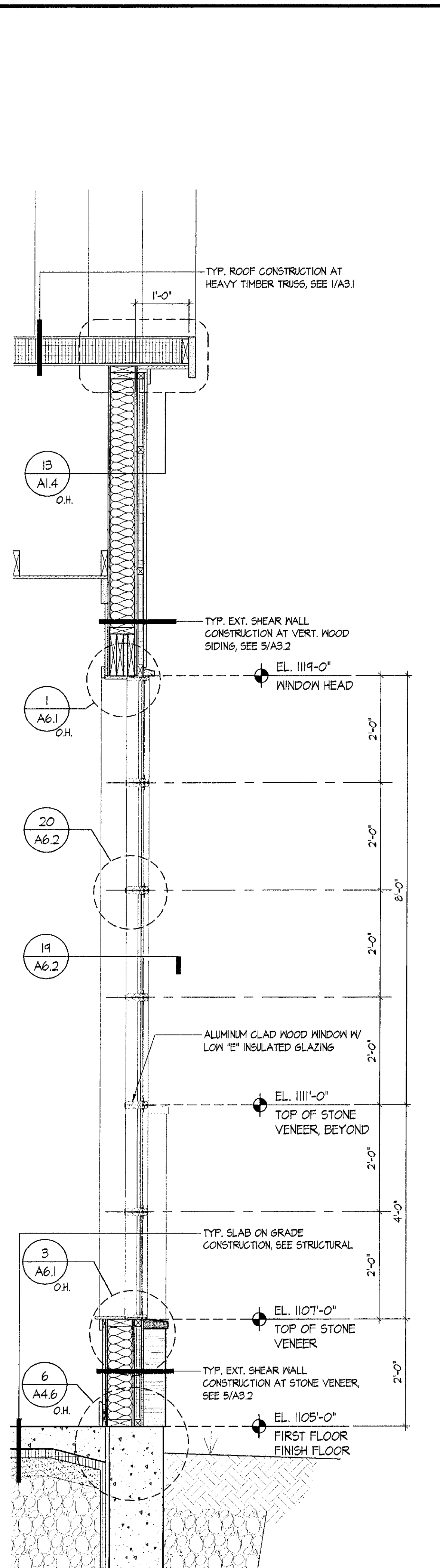
**15 EXTERIOR WALL SECTION**  
SCALE: 3/4" = 1'-0"  
2009\_B506



**16 EXTERIOR WALL SECTION**  
SCALE: 3/4" = 1'-0"  
2009\_M501



**17 INTERIOR WALL SECTION**  
SCALE: 3/4" = 1'-0"  
2009\_B506



**18 EXTERIOR WALL SECTION**  
SCALE: 3/4" = 1'-0"  
2009\_B506