

**NORTHERN ARCHITECTS**  
 207 KING STREET SUITE 3  
 BURLINGTON, VERMONT 05401-4502  
 802-658-1953

CONSULTANTS  
 CIVIL  
 KREBS AND LANGS  
 10 Main Street  
 Colchester VT 05446  
 (802)-878-0375  
 LANDSCAPE ARCHITECT  
**OHKW**  
 7 Maple Ave.  
 Burlington VT 05401  
 (802)-864-0010  
 STRUCTURAL  
 RICHARD M. DOHERTY, P.E.  
 17 St. Paul Street  
 Burlington VT 05401  
 (802)-660-4121  
 PLUMBING, MECHANICAL,  
 AND ELECTRICAL  
 DIFRESNE AND HENRY  
 Precision Park  
 North Springfield VT 05150-0024  
 (802)-886-2261

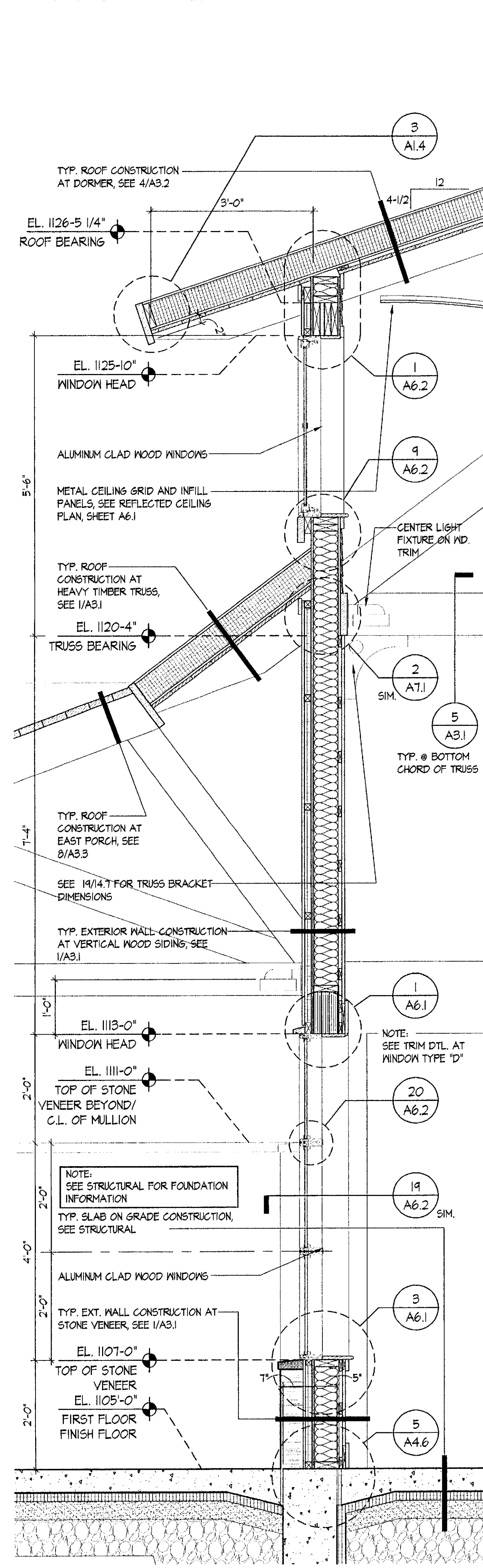
REVISIONS

PROJECT  
**DERBY WELCOME CENTER**  
 PROJECT #10 091-3(8)  
**NEW FACILITY**  
 DERBY VERMONT

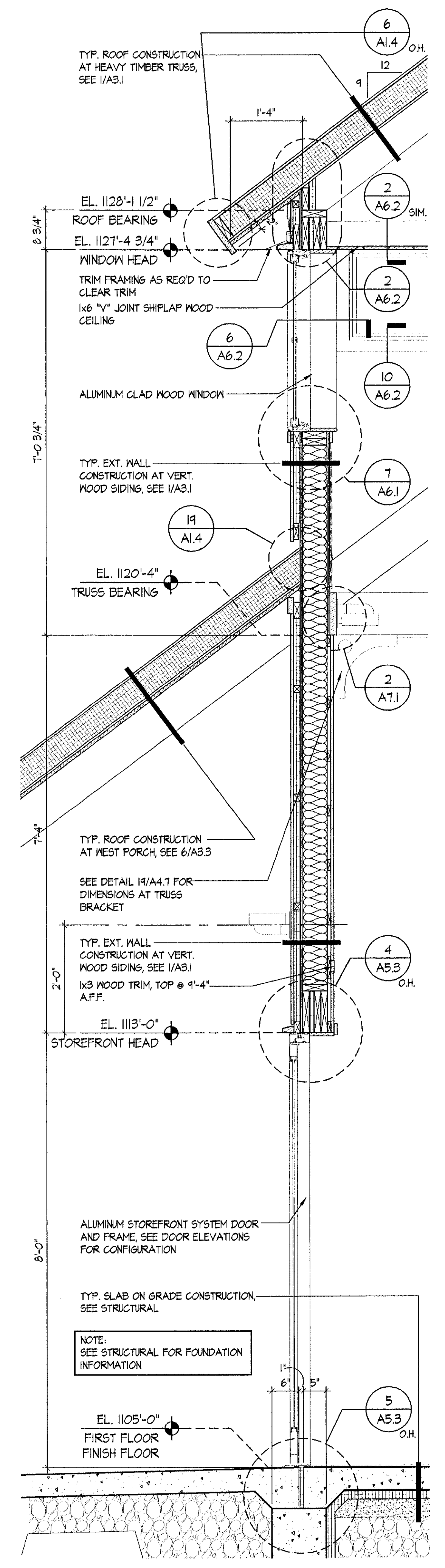
DATE: 01/01/2002  
 SCALE: AS NOTED  
 CHECKED: HS  
 PROJECT NO: 2008

**WALL SECTION**

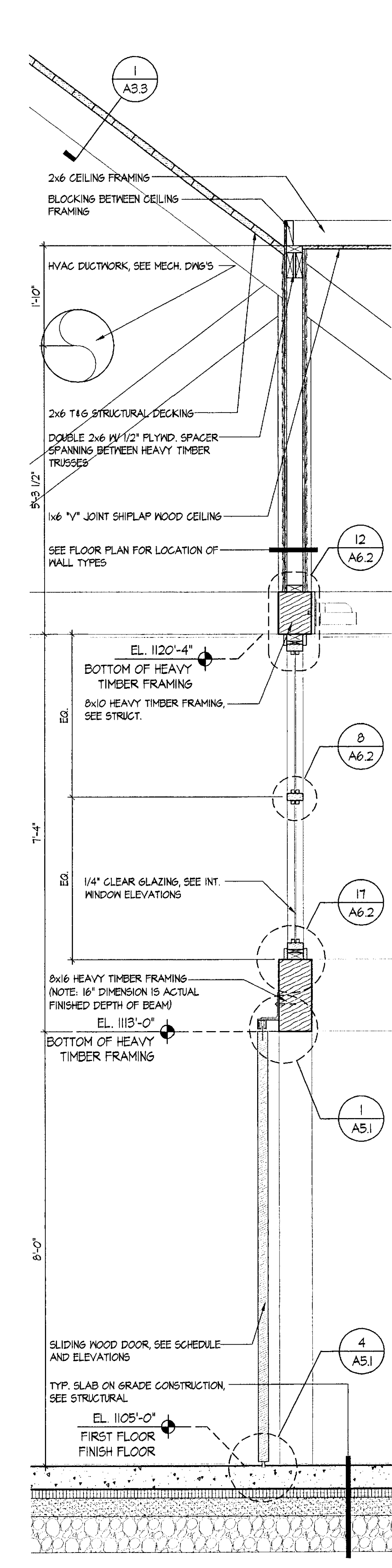
**A4.3**



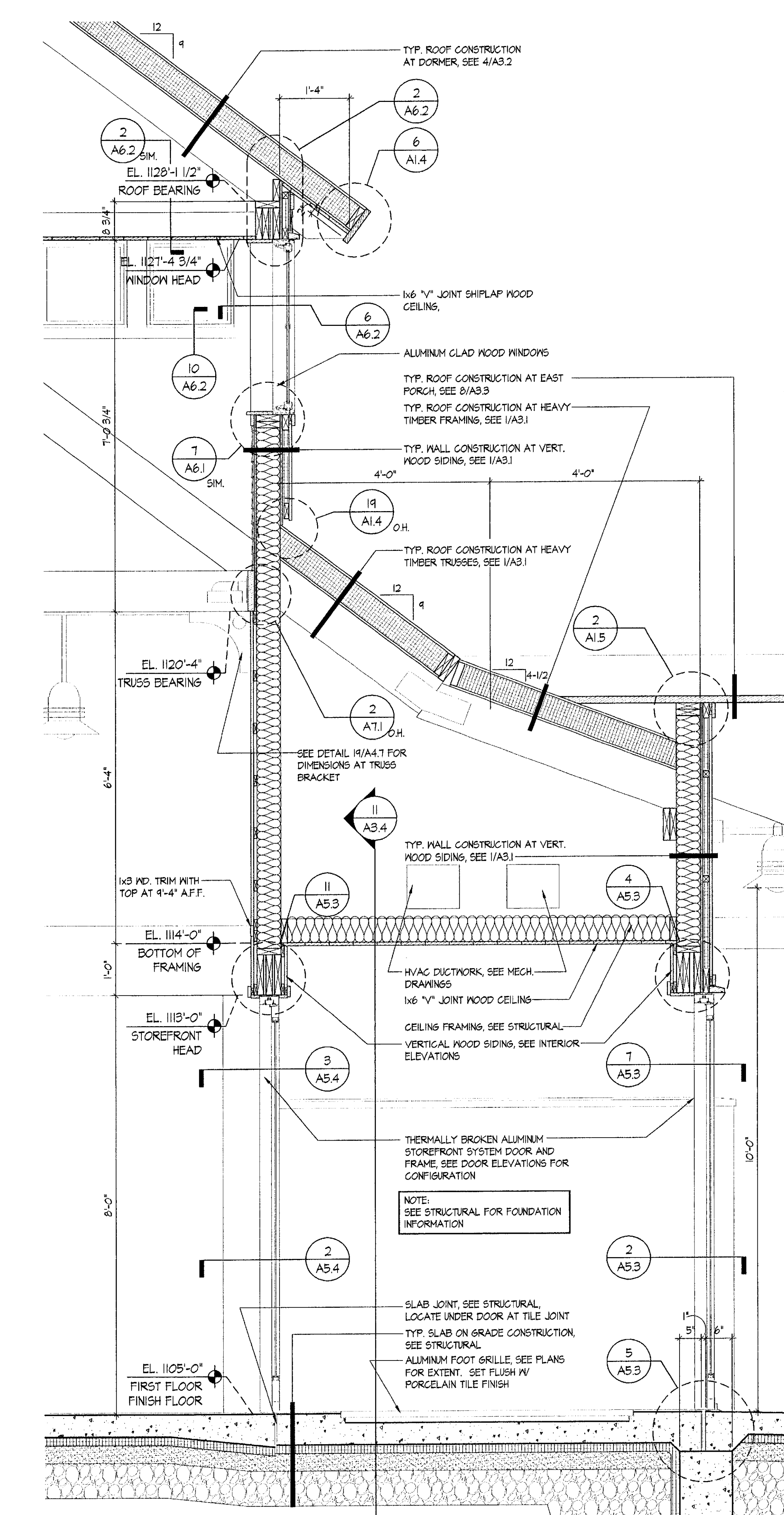
**11 EXTERIOR WALL SECTION**  
 SCALE: 3/4" = 1'-0"  
 2008\_B504



**12 EXTERIOR WALL SECTION**  
 SCALE: 3/4" = 1'-0"  
 2008\_B505



**13 INTERIOR WALL SECTION**  
 SCALE: 3/4" = 1'-0"  
 2008\_B505



**14 EXTERIOR WALL SECTION**  
 SCALE: 3/4" = 1'-0"  
 2008\_B505

© NORTHERN ARCHITECTS, INC. ALL RIGHTS RESERVED 2002