



NORTHERN ARCHITECTS

207 KING STREET
SUITE 3
BURLINGTON, VERMONT
05401-4502
802-658-1953

CONSULTANTS

CIVIL
KREBS AND LANGING
10 Main Street
Colchester VT 05446
(802)-878-0375

LANDSCAPE ARCHITECT

OHKW

7 Marble Ave.
Burlington VT 05401
(802)-864-0010
STRUCTURAL
RICHARD M. DOWERY, P.E.
117 St. Paul Street
Burlington VT 05401
(802)-660-4212

PLUMBING, MECHANICAL
AND ELECTRICAL
DUPRESNE AND HENRY
Precision Park
North Springfield VT 05150-0024
(802)-886-2261

REVISIONS

REVISIONS

PROJECT

PROJECT

DERBY WELCOME CENTER

PROJECT #101-3(8)

NEW FACILITY

DERBY VERMONT

DATE: 01/01/2002

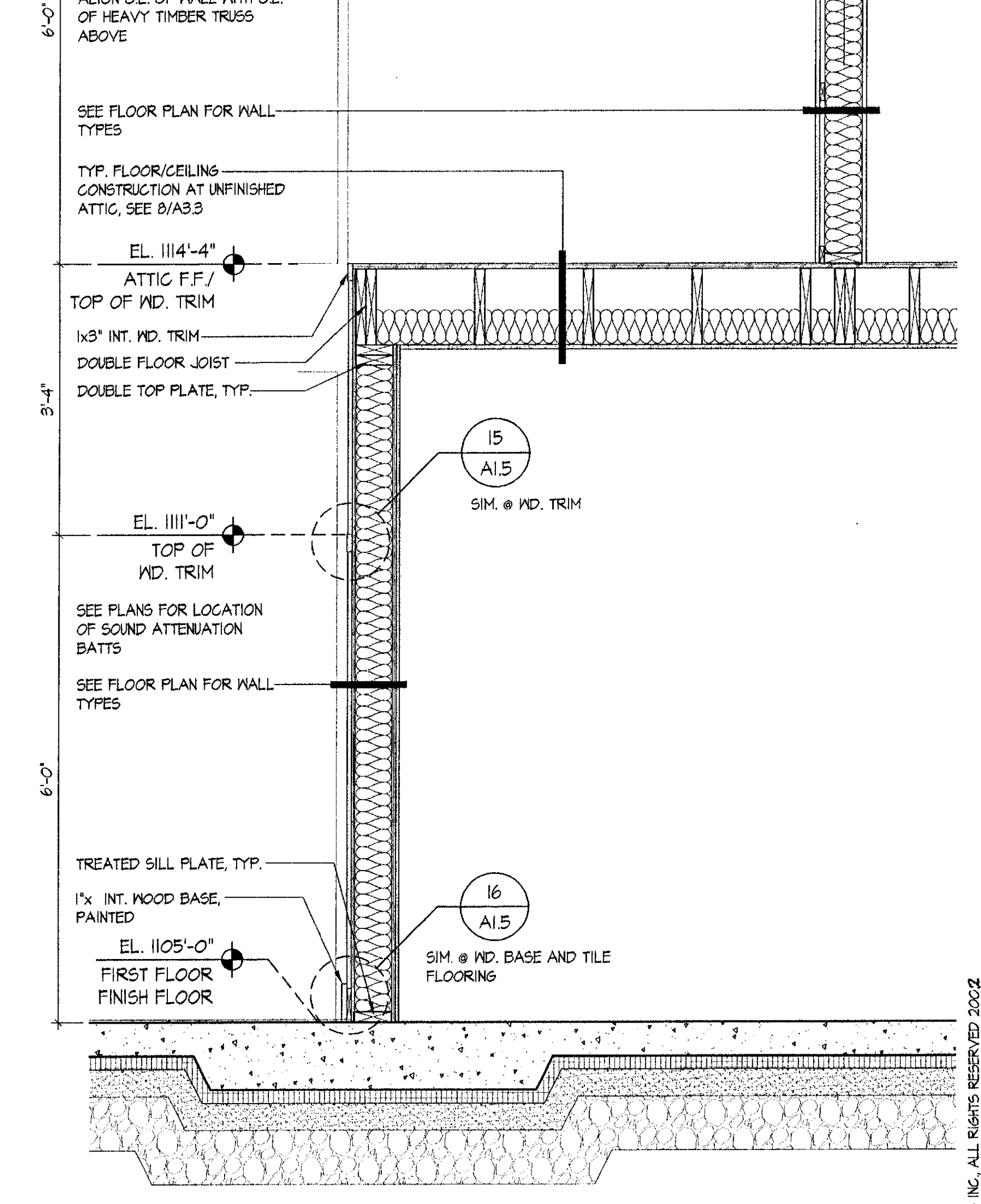
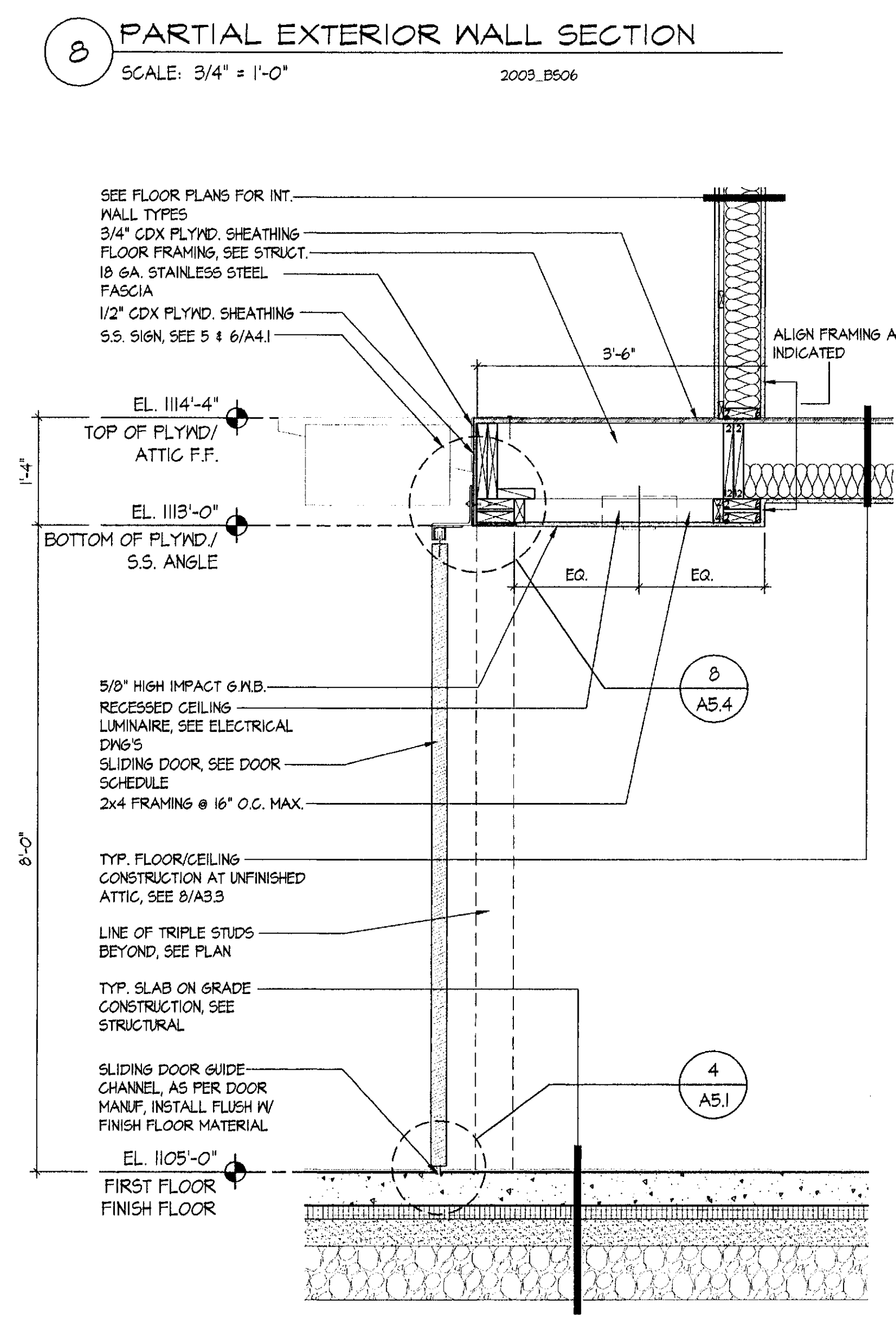
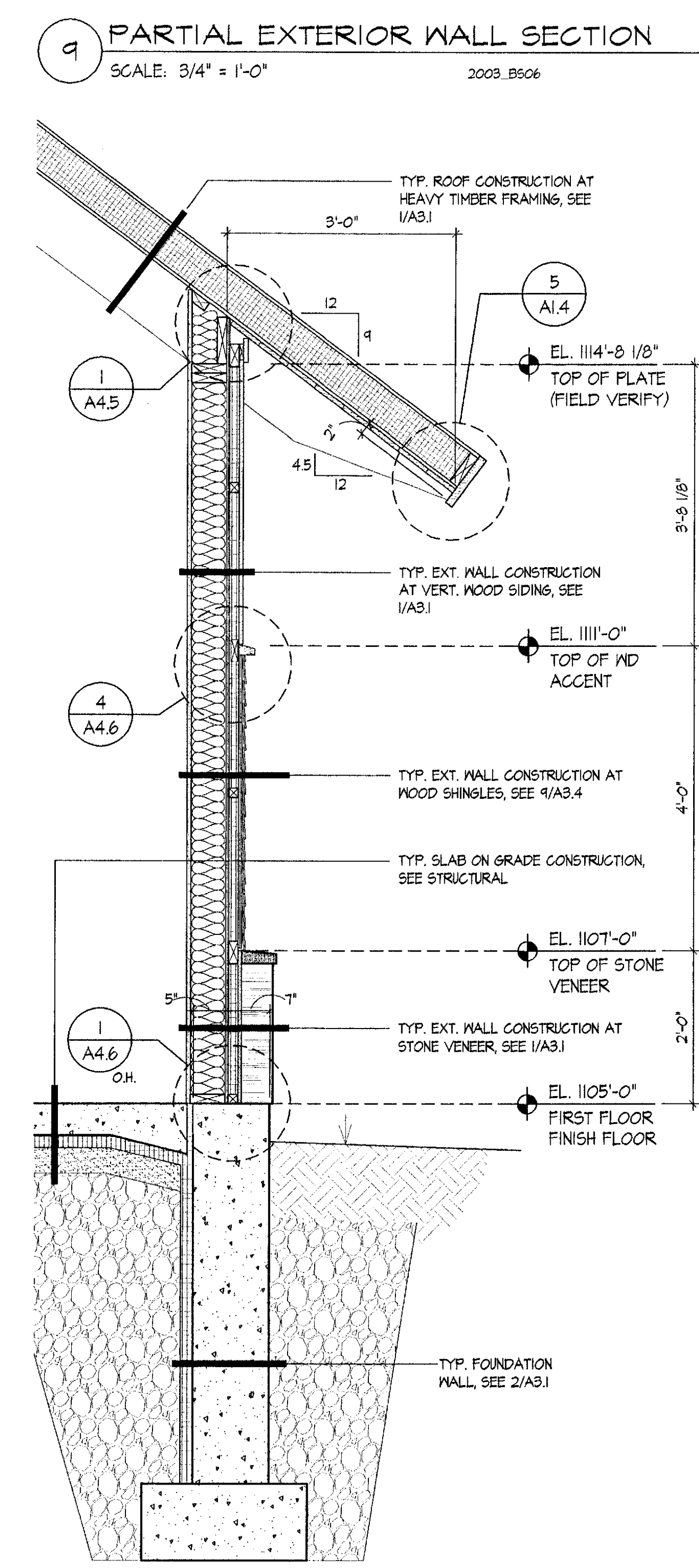
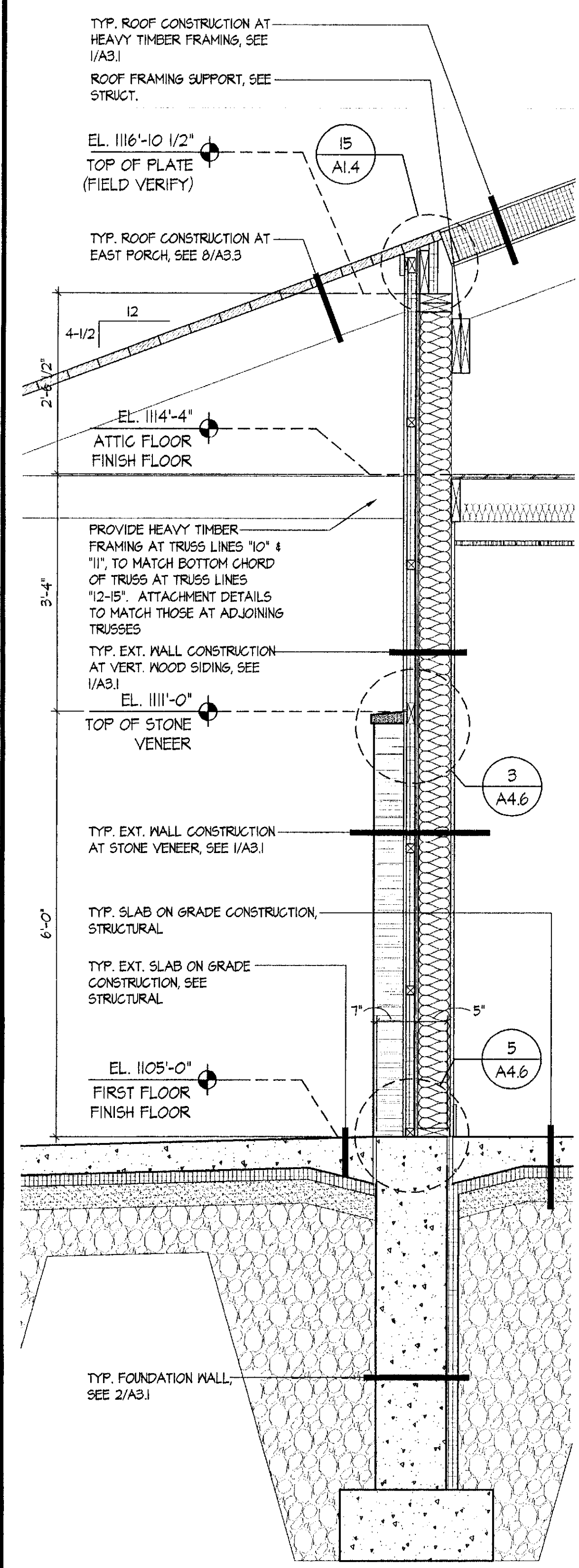
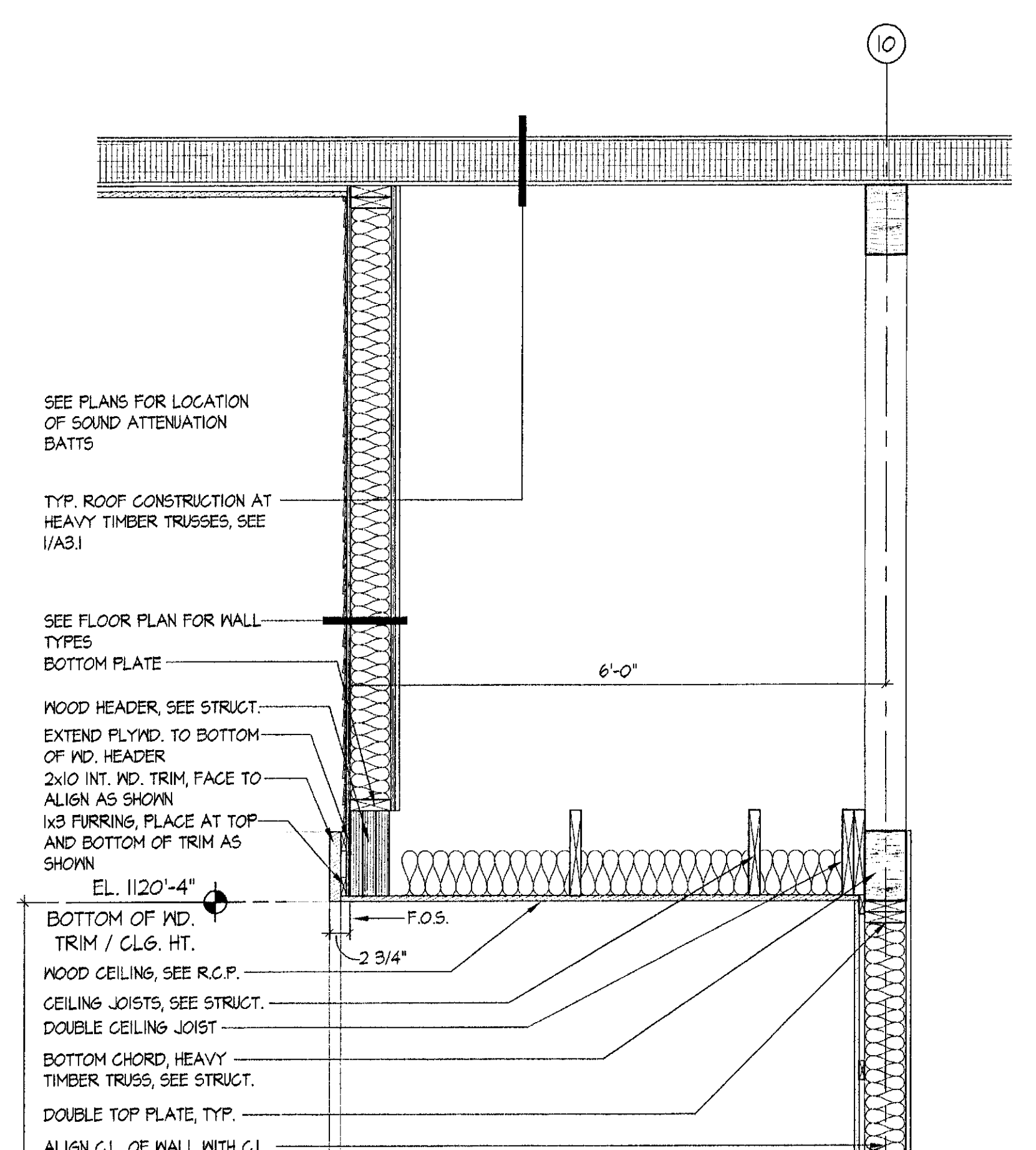
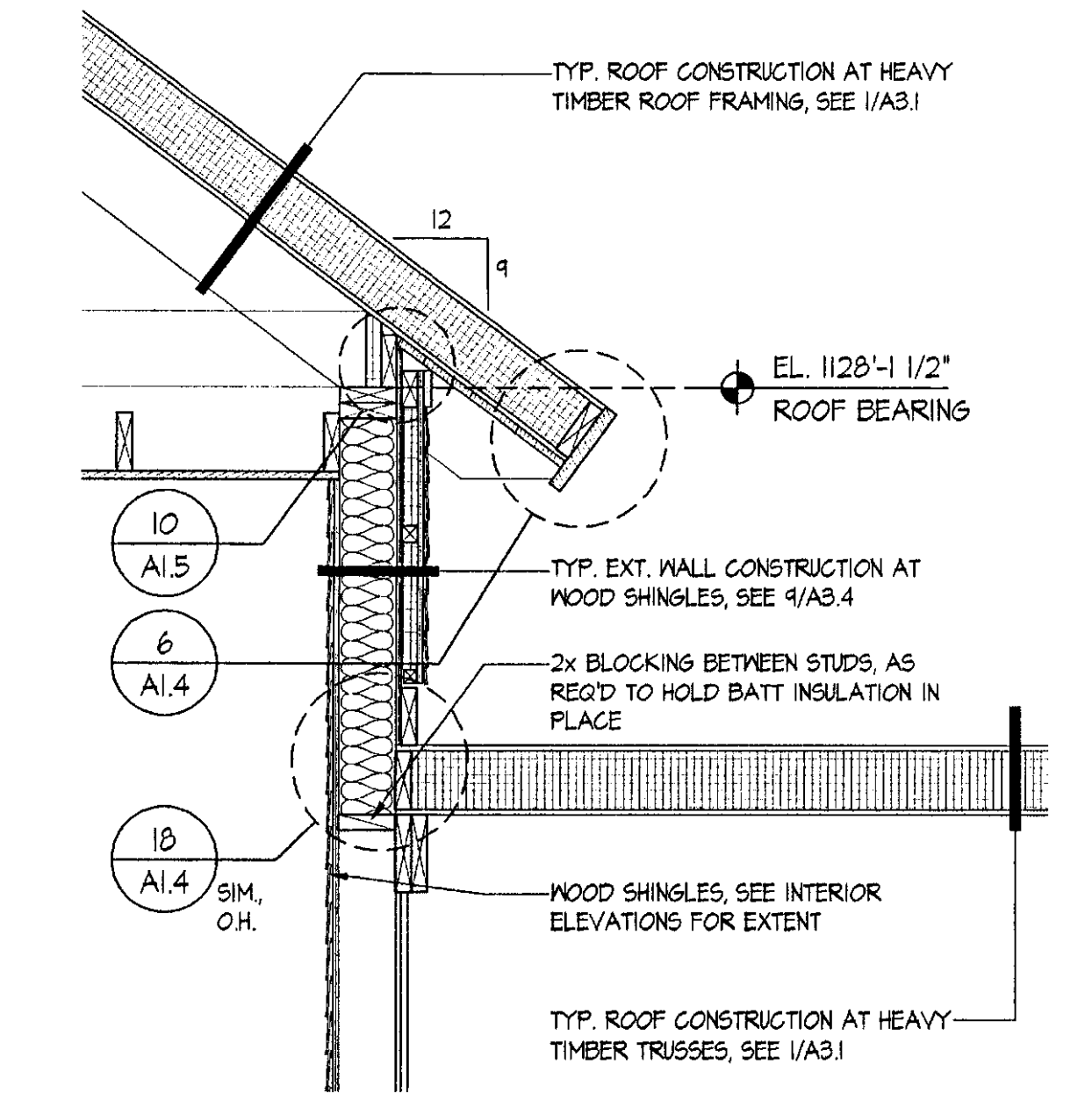
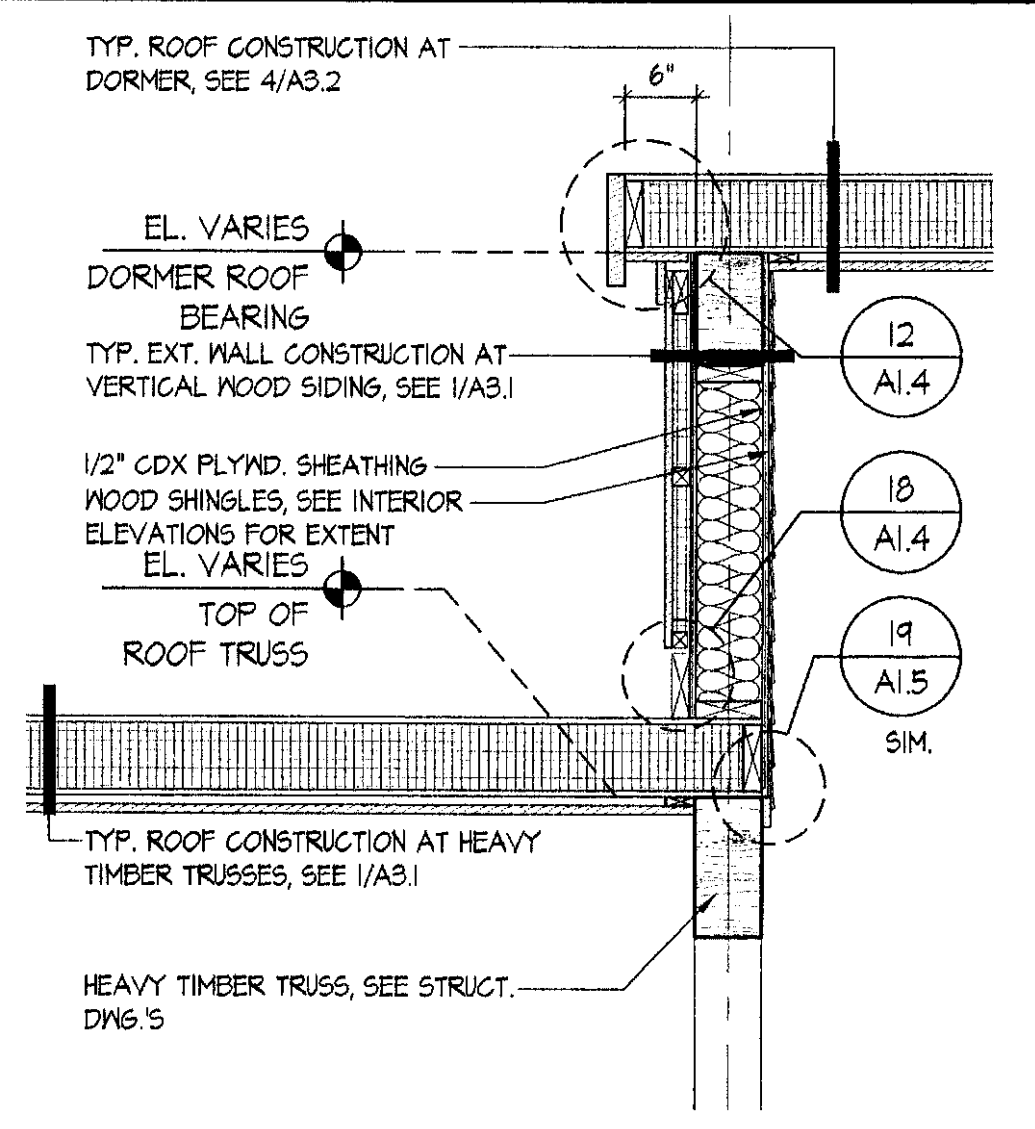
SCALE: AS NOTED

CHECKED: HS

PROJECT NO: 2003

WALL SECTIONS

A4.2



5 EXTERIOR WALL SECTION
SCALE: 3/4" = 1'-0"
2003_B503

6 EXTERIOR WALL SECTION
SCALE: 3/4" = 1'-0"
2003_B503

7 INTERIOR WALL SECTION
SCALE: 3/4" = 1'-0"
2003_B504

10 INTERIOR WALL SECTION
SCALE: 3/4" = 1'-0"
2003_B506

© NORTHERN ARCHITECTS INC. ALL RIGHTS RESERVED 2002