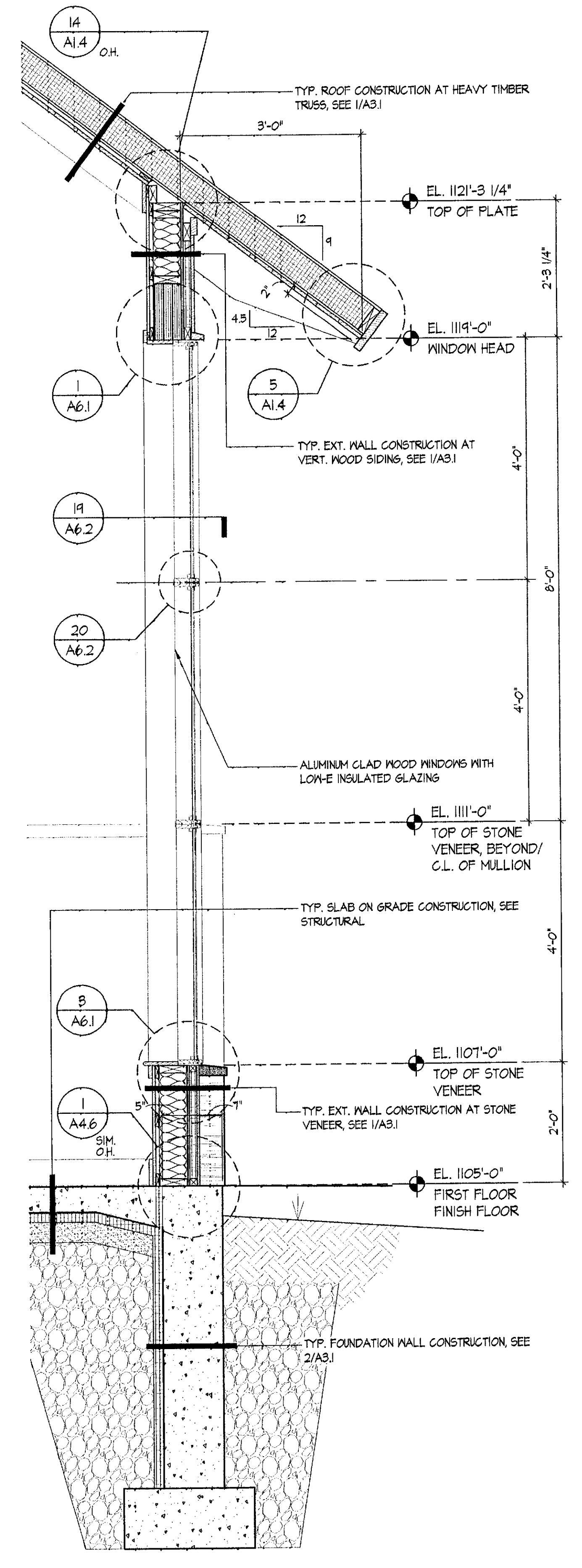
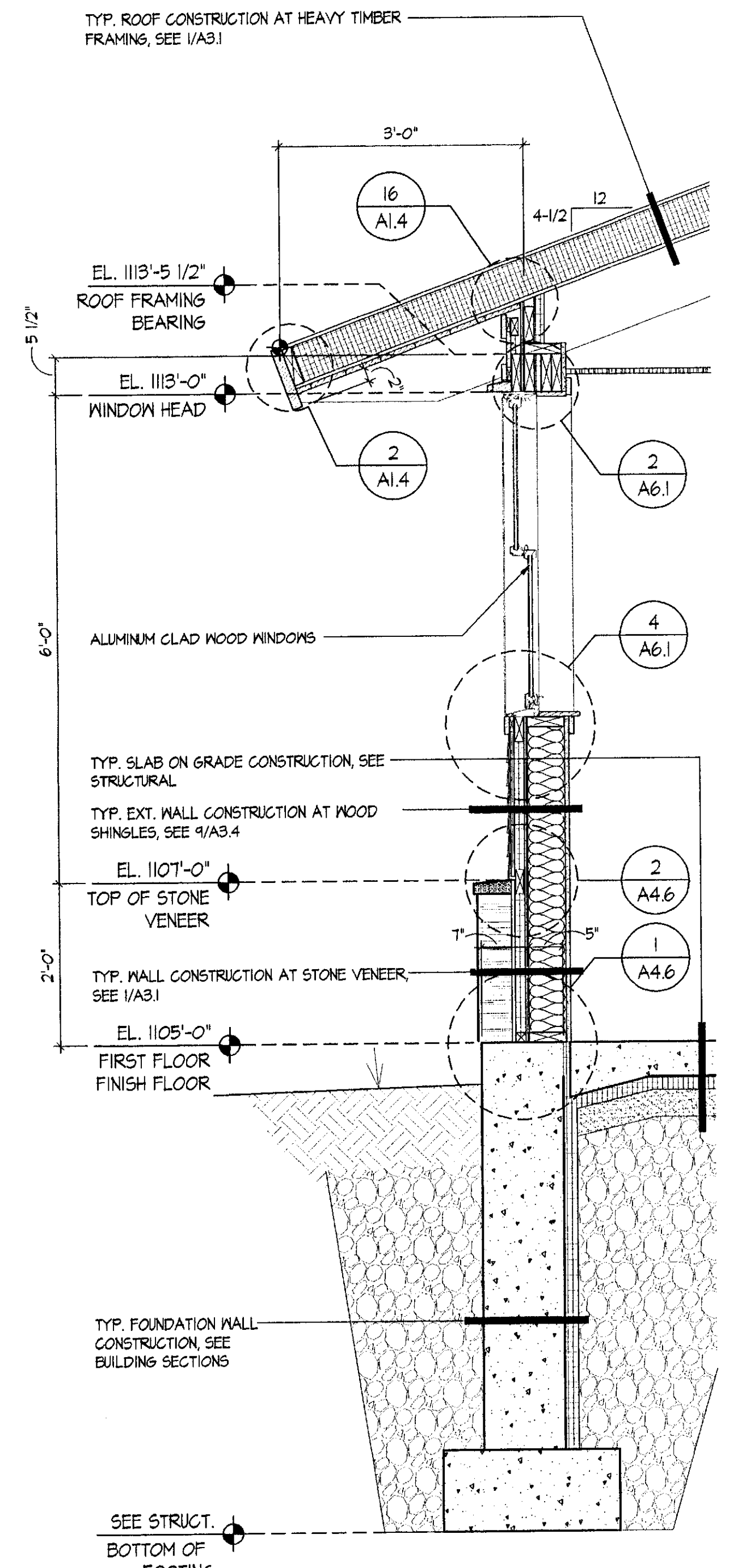


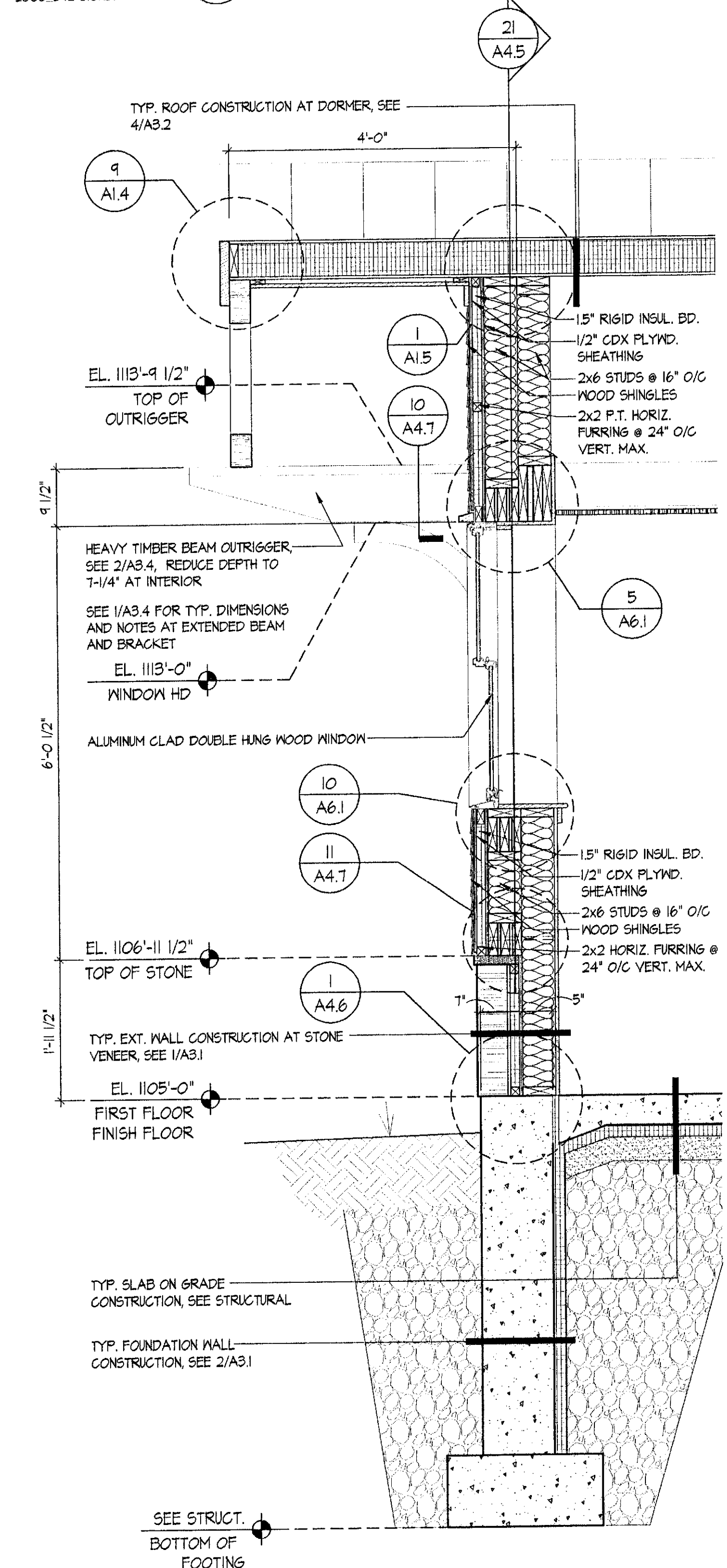
1 EXTERIOR WALL SECTION
SCALE: 3/4" = 1'-0"
2009_B501



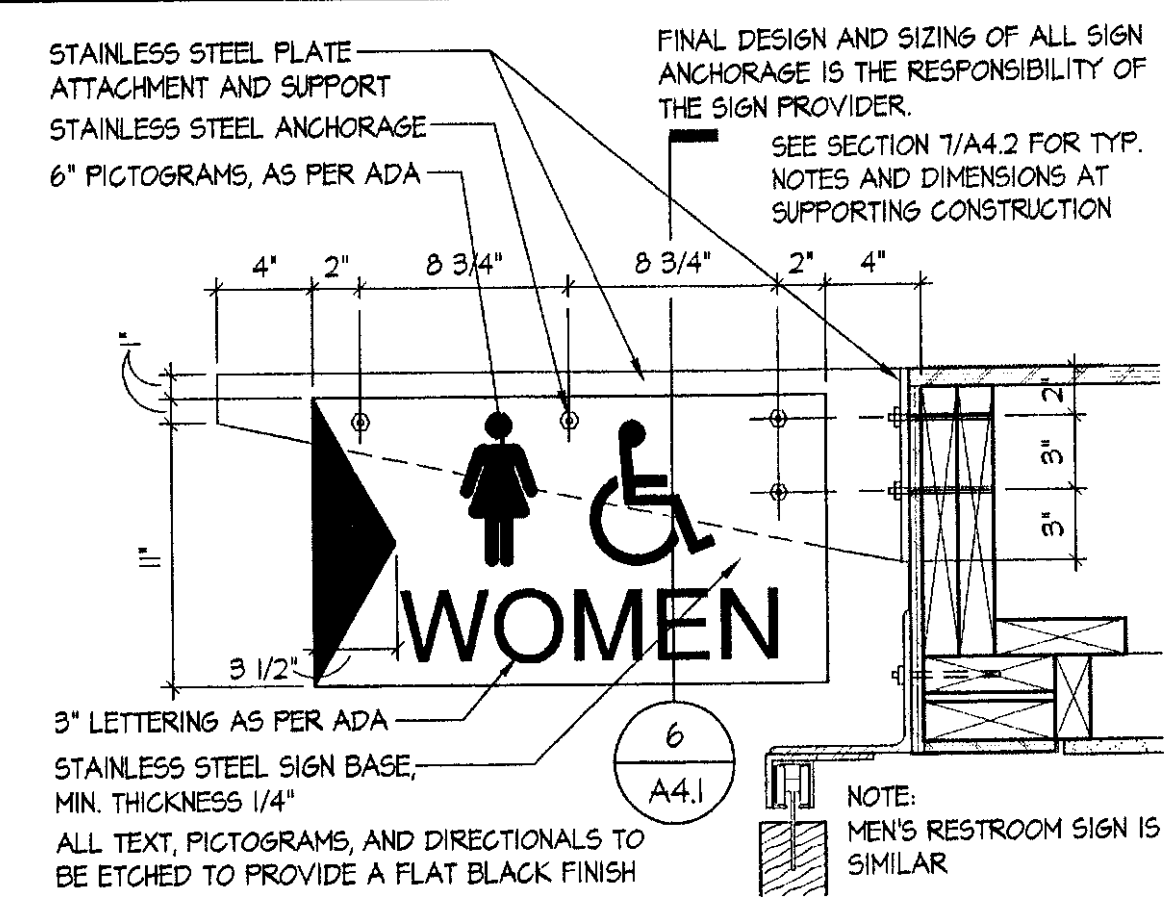
2 EXTERIOR WALL SECTION
SCALE: 3/4" = 1'-0"
2009_B501



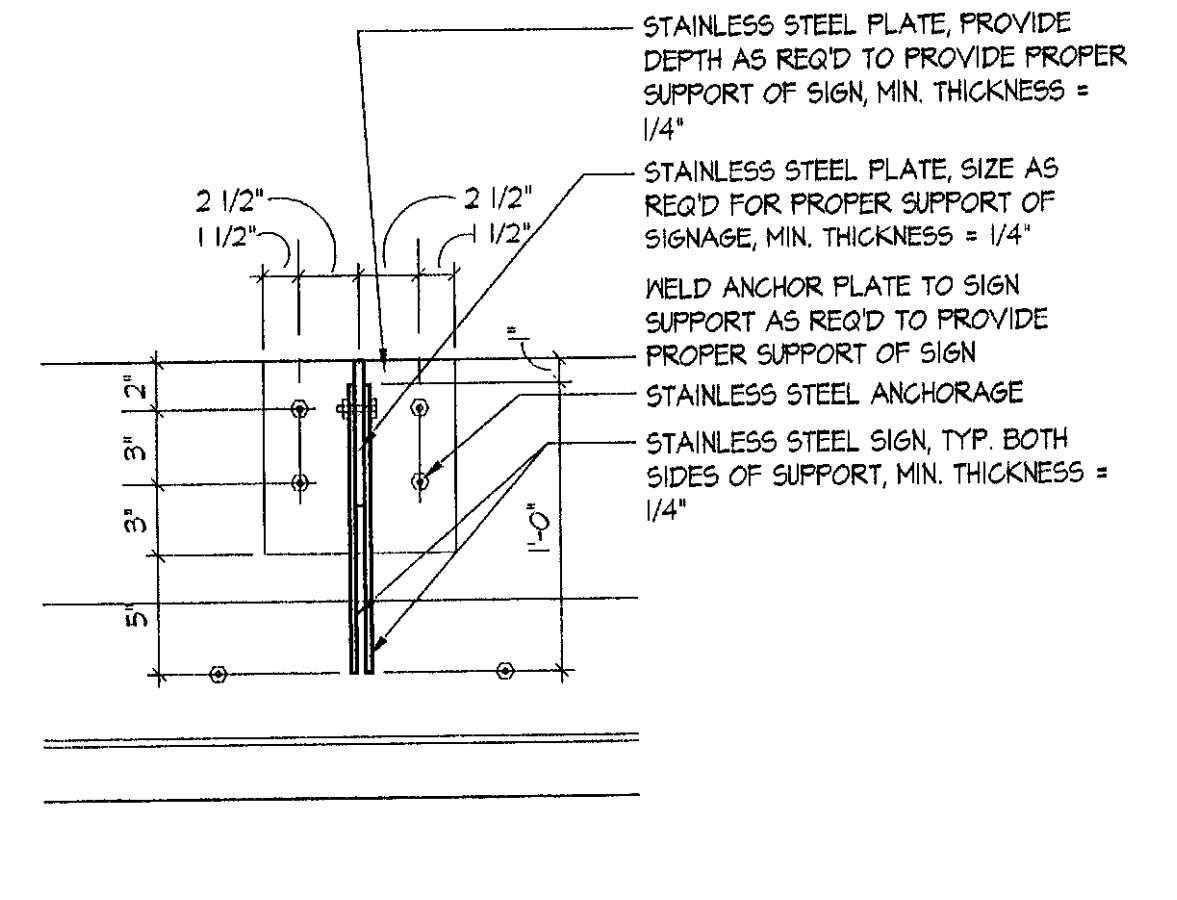
3 EXTERIOR WALL SECTION
SCALE: 3/4" = 1'-0"
2009_B502



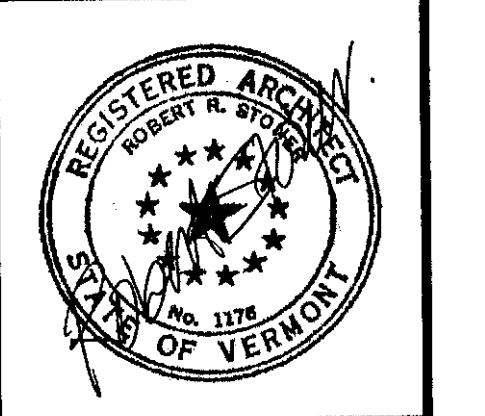
4 EXTERIOR WALL SECTION
SCALE: 3/4" = 1'-0"
2009_B501



5 DETAIL @ RESTROOM SIGNS
SCALE: 1-1/2" = 1'-0"
2009_DTL-SIGN01



6 DETAIL @ RESTROOM SIGNS
SCALE: 1-1/2" = 1'-0"
2009_DTL-SIGN01



NORTHERN ARCHITECTS
207 KING STREET
SUITE 3
BURLINGTON, VERMONT
05401-4502
802-658-1953

CONSULTANTS
CIVIL
KREBS AND LANSING
10 Main Street
Colchester VT 05446
(802)-878-0875
LANDSCAPE ARCHITECT
OHKW
7 Maple Ave.
Burlington VT 05401
(802)-864-0010
STRUCTURAL
RICHARD W. DOHERTY, P.E.
117 St. Paul Street
Burlington VT 05401
(802)-660-4121
PLUMBING, MECHANICAL
AND ELECTRICAL
DUFRESNE AND HENRY
Precision Park
North Springfield VT 05503-0024
(802)-886-2261

REVISIONS

NO.	DESCRIPTION

PROJECT
DERBY WELCOME CENTER
PROJECT #M 091-3(8)

NEW FACILITY

DERBY VERMONT

DATE: 01/07/2002
SCALE: AS NOTED
CHECKED: HS
PROJECT NO: 2009

WALL SECTIONS

A4.1

© NORTHERN ARCHITECTS, INC. ALL RIGHTS RESERVED 2002.