

NORTHERN ARCHITECTS
 207 KING STREET
 SUITE 3
 BURLINGTON, VERMONT
 05401-4502
 802-658-1953

CONSULTANTS
 CIVIL
 KREBS AND LANSING
 10 Main Street
 Colchester VT 05446
 (802)-876-0975
 LANDSCAPE ARCHITECT
OHKW
 7 Marble Ave.
 Burlington VT 05401
 (802)-664-0010
 STRUCTURAL
 RICHARD M. D'HERTY, P.E.
 117 St. Paul Street
 Burlington VT 05401
 (802)-660-4212
 PLUMBING, MECHANICAL,
 AND ELECTRICAL
 DUFRESNE AND HENRY
 Precision Park
 North Springfield VT 05150-0024
 (802)-886-2261

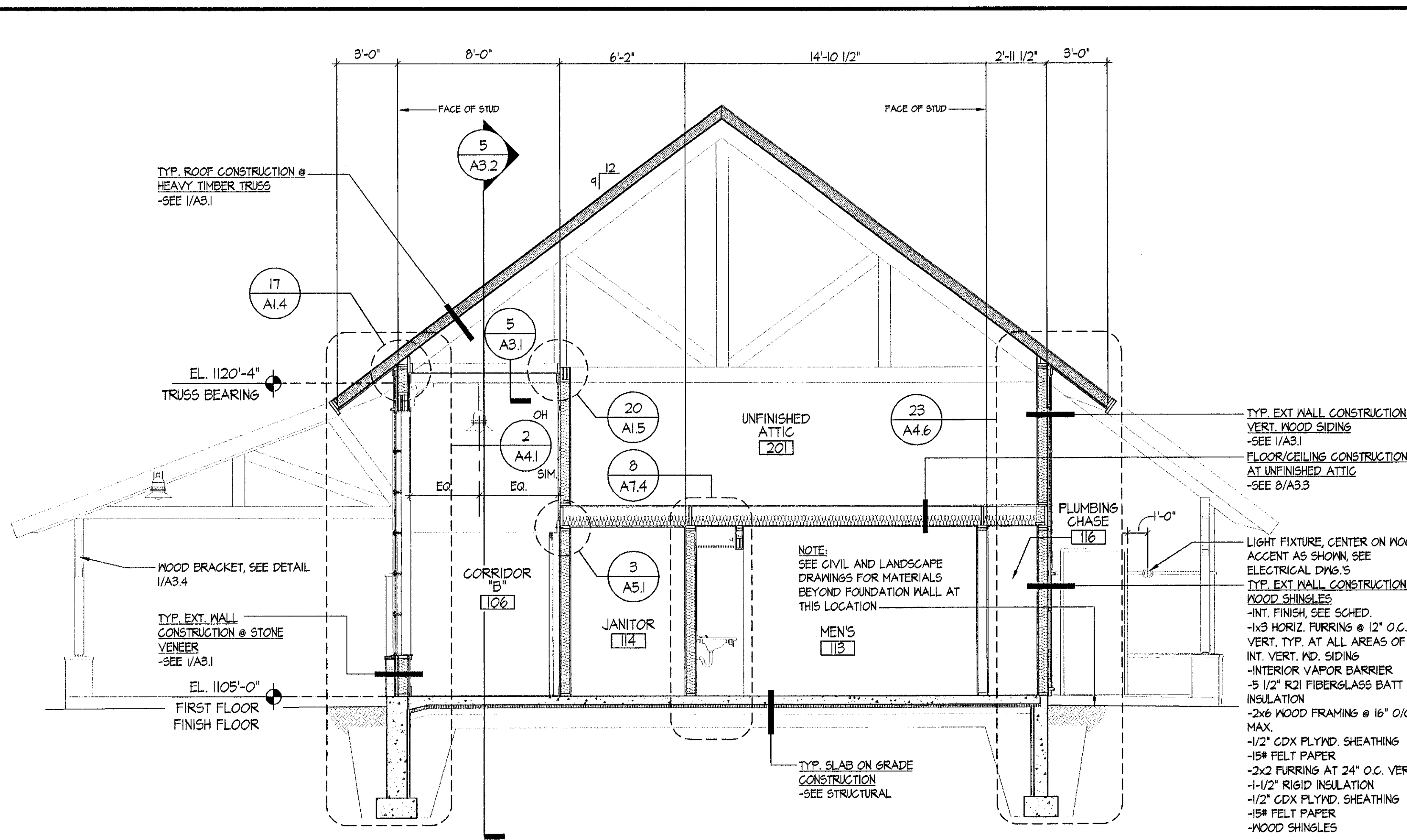
REVISIONS

PROJECT
DERBY WELCOME CENTER
 PROJECT #1091-3(8)
NEW FACILITY
 DERBY
 VERMONT

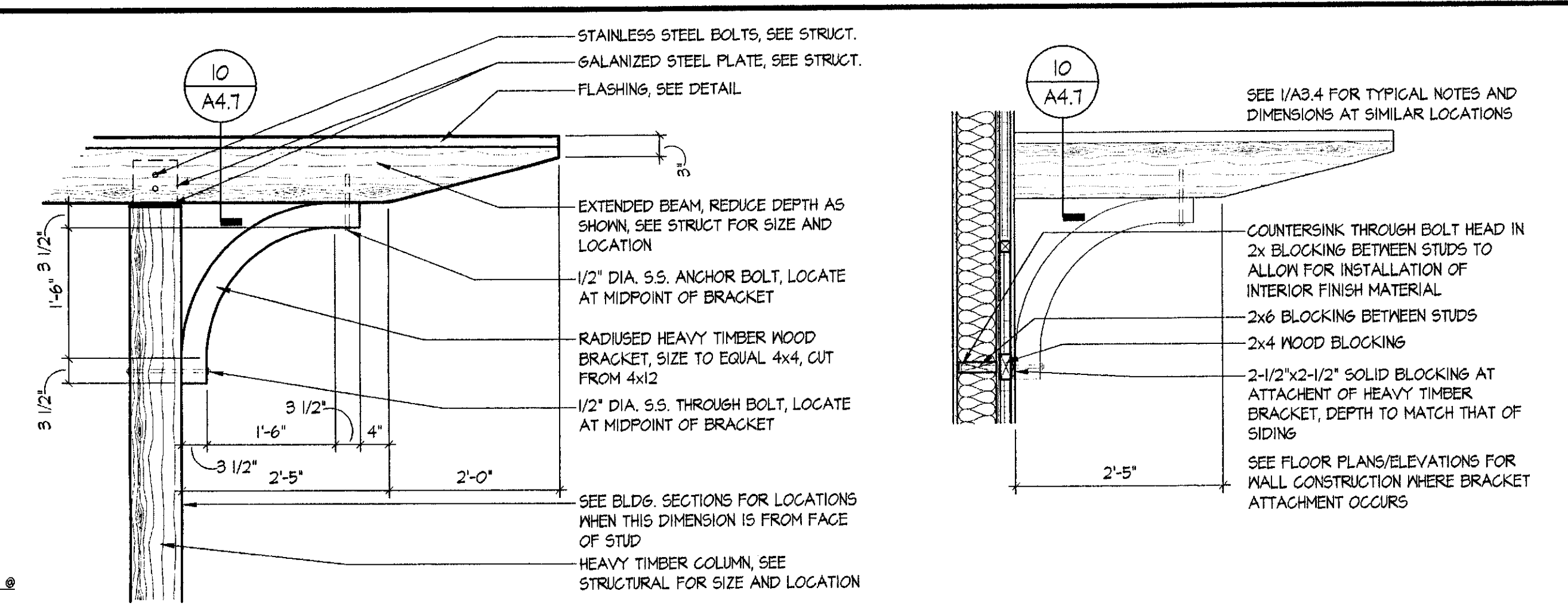
DATE: 01/01/2002
 SCALE: AS NOTED
 CHECKED: HS
 PROJECT NO: 2003

BUILDING SECTIONS

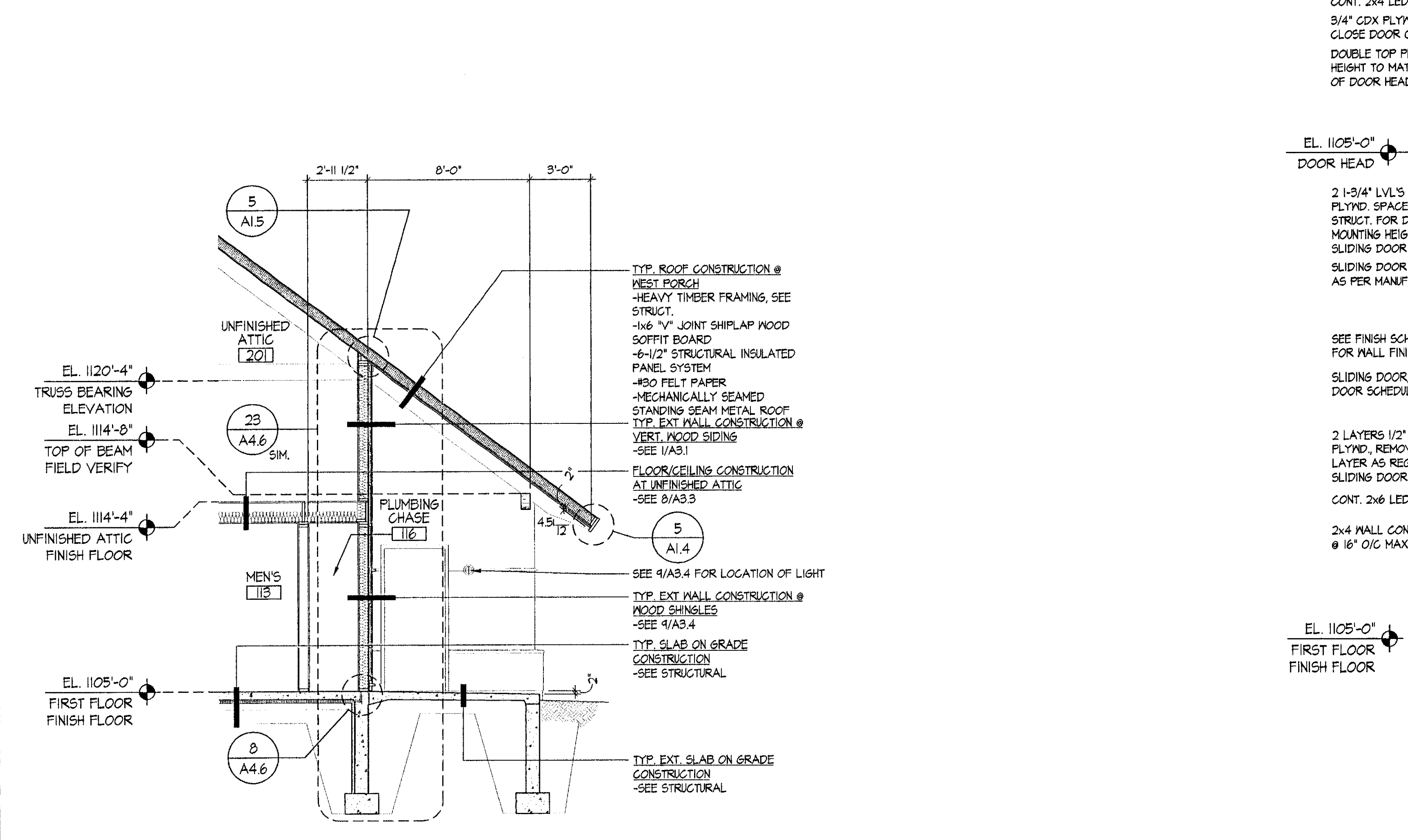
A3.4



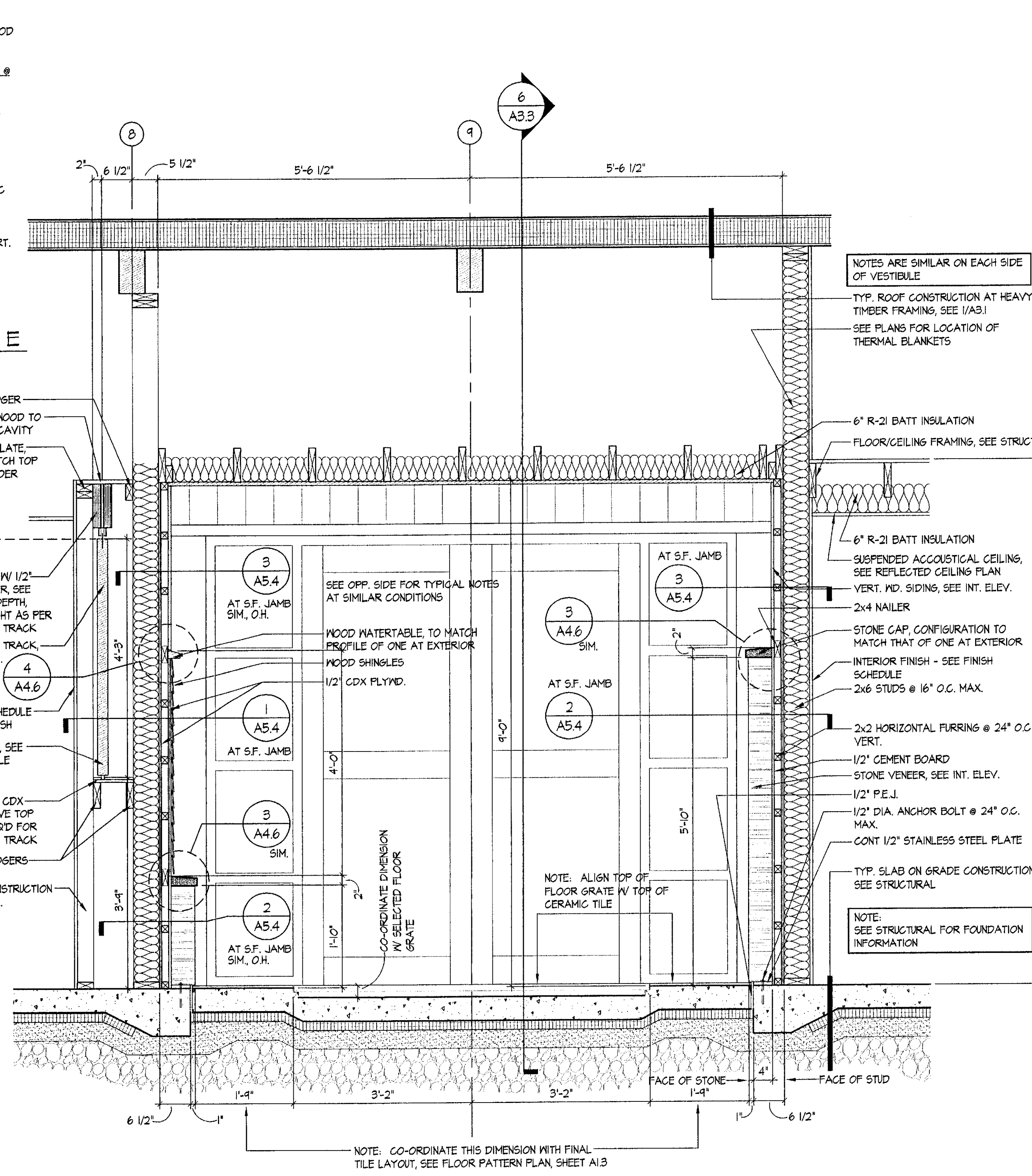
9 BUILDING SECTION FROM CORRIDOR "B" TO PLUMBING CHASE
 SCALE: 1/4" = 1'-0"
 2003_B518



1 DETAIL AT EXTENDED BEAM AND BRACKET SCALE: 3/4" = 1'-0" 2003_B505
2 BRACKET DTL. @ EXT. WALL SCALE: 3/4" = 1'-0" 2003_DTL-ARCH04



10 PARTIAL BUILDING SECTION
 SCALE: 1/4" = 1'-0"
 2003_B514



11 PARTIAL BUILDING SECTION
 SCALE: 3/4" = 1'-0"
 2003_B515

© NORTHERN ARCHITECTS INC. ALL RIGHTS RESERVED 2002