



NORTHERN ARCHITECTS
 207 KING STREET
 SUITE 3
 BURLINGTON, VERMONT
 05401-4502
 802-658-1953

CONSULTANTS
 CIVIL
 KREBS AND LANSING
 10 Main Street
 Colchester VT 05446
 (802)-878-0915
 LANDSCAPE ARCHITECT
OHKW
 7 Marble Ave.
 Burlington VT 05401
 (802)-864-0010
 STRUCTURAL
 RICHARD M. BOWERY, P.E.
 17 St. Paul Street
 Burlington VT 05401
 (802)-660-4212
 PLUMBING, MECHANICAL
 AND ELECTRICAL
 DUFRESNE AND HENRY
 Precision Park
 North Springfield VT 05150-0024
 (802)-886-2261

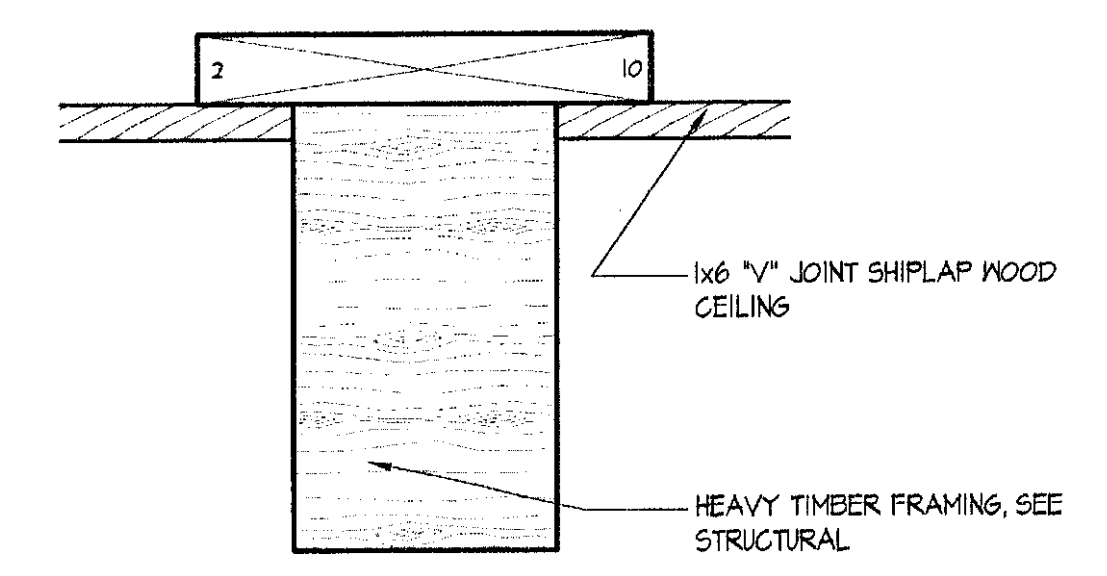
REVISIONS

PROJECT
DERBY WELCOME CENTER
 PROJECT #1091-3(8)
 NEW FACILITY
 DERBY VERMONT

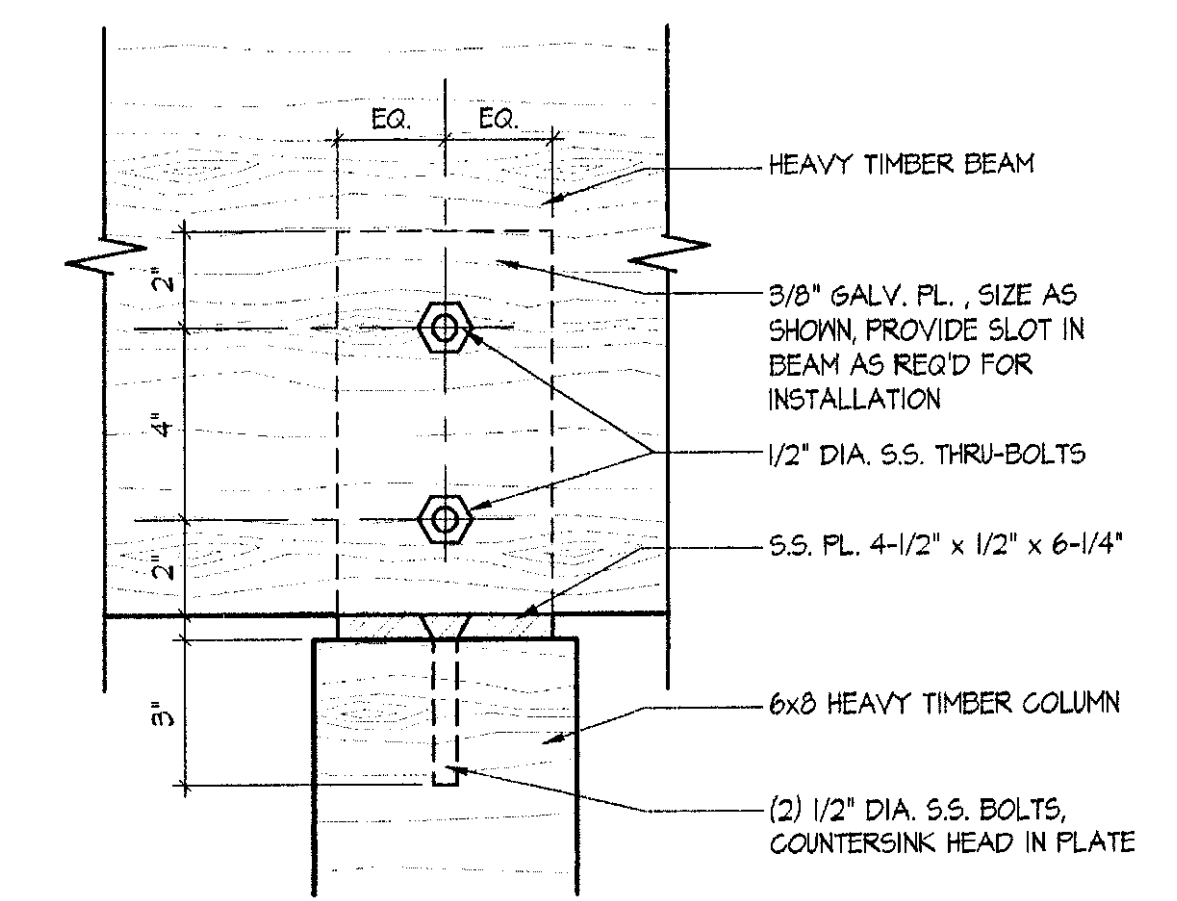
DATE: 01/07/2002
 SCALE: AS NOTED
 CHECKED: HS
 PROJECT NO: 2003

BUILDING SECTIONS

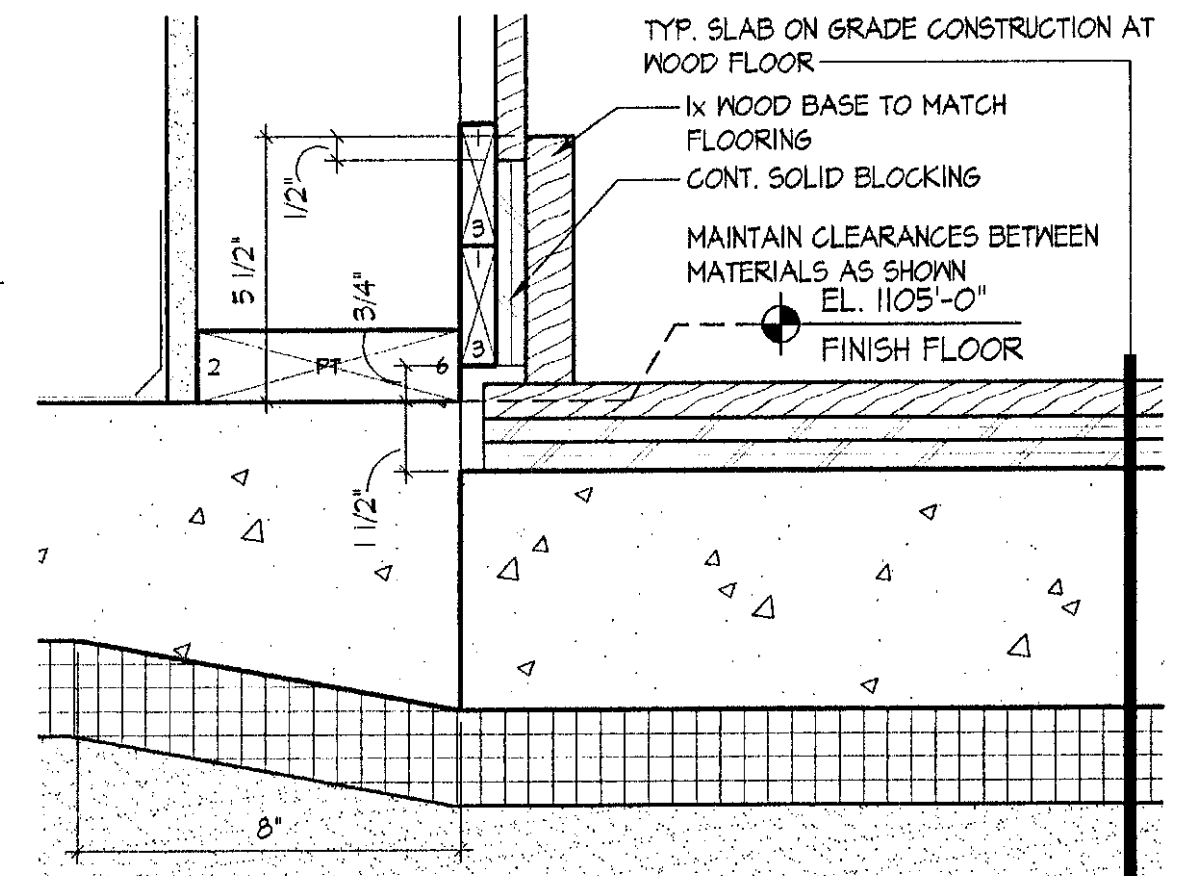
A3.3



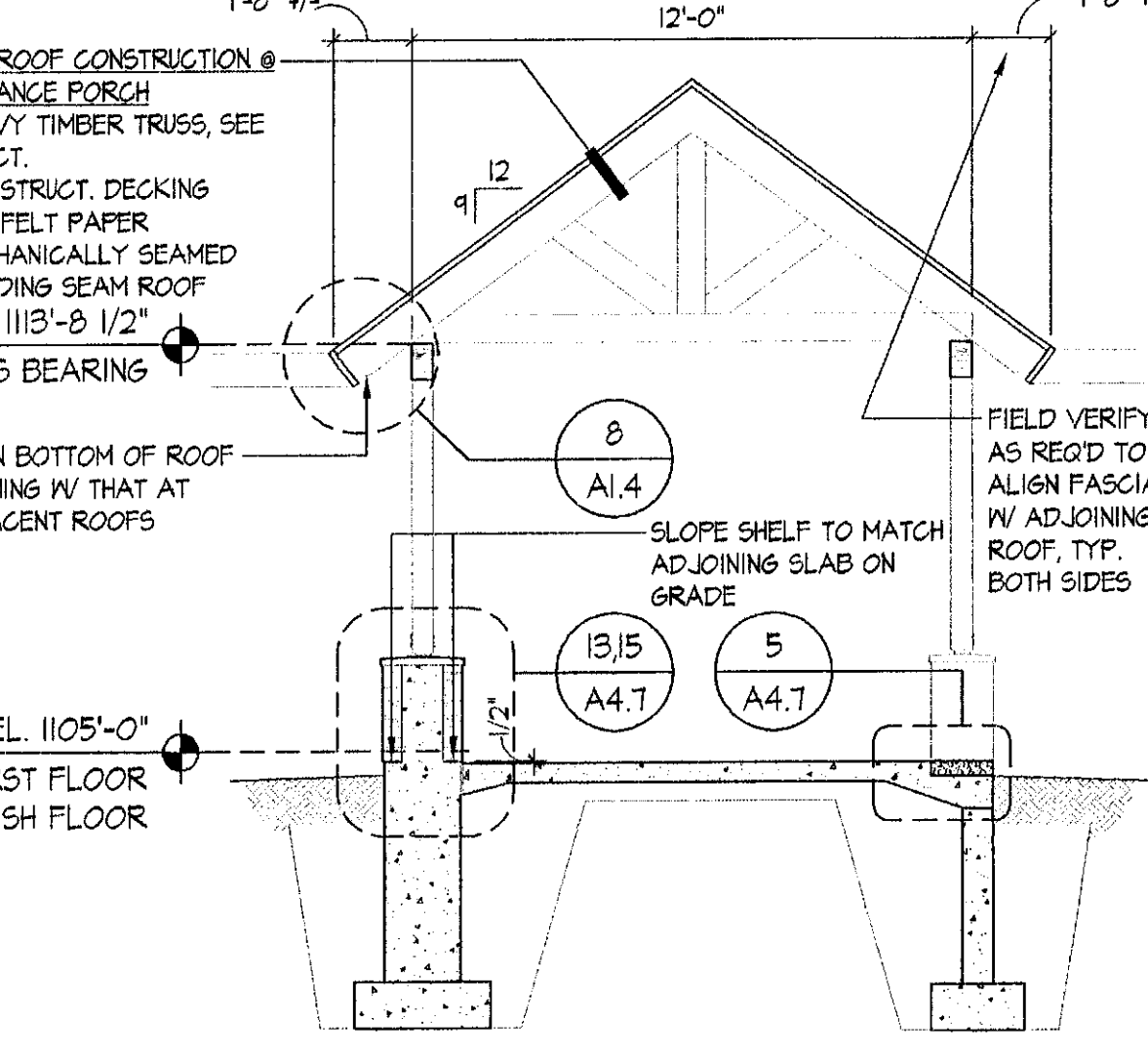
1 CEILING DETAIL
 SCALE: 3" = 1'-0"
 2003_DTL-INT01



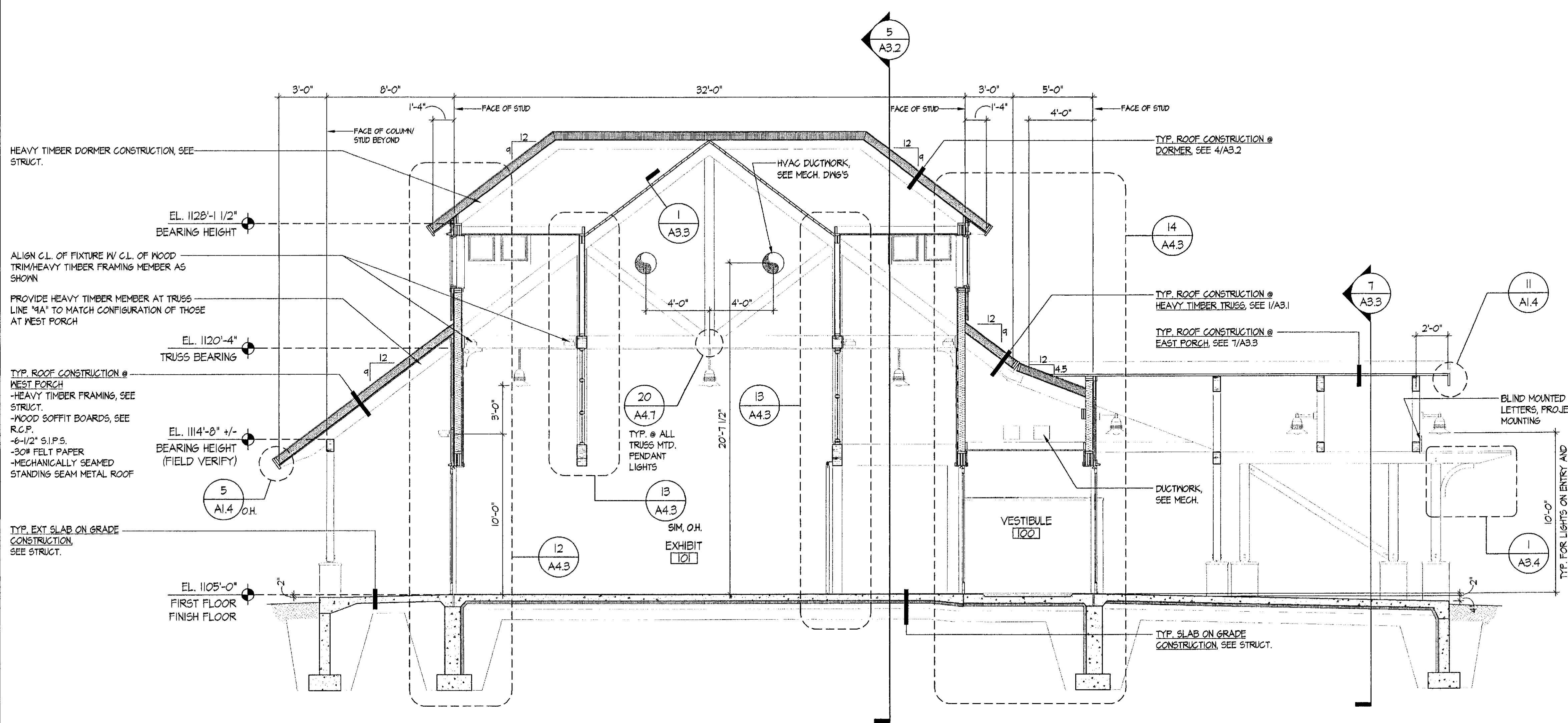
2 TYP. COLUMN/BEAM CONNECTION
 SCALE: 3" = 1'-0"
 2003_DTL-INT01



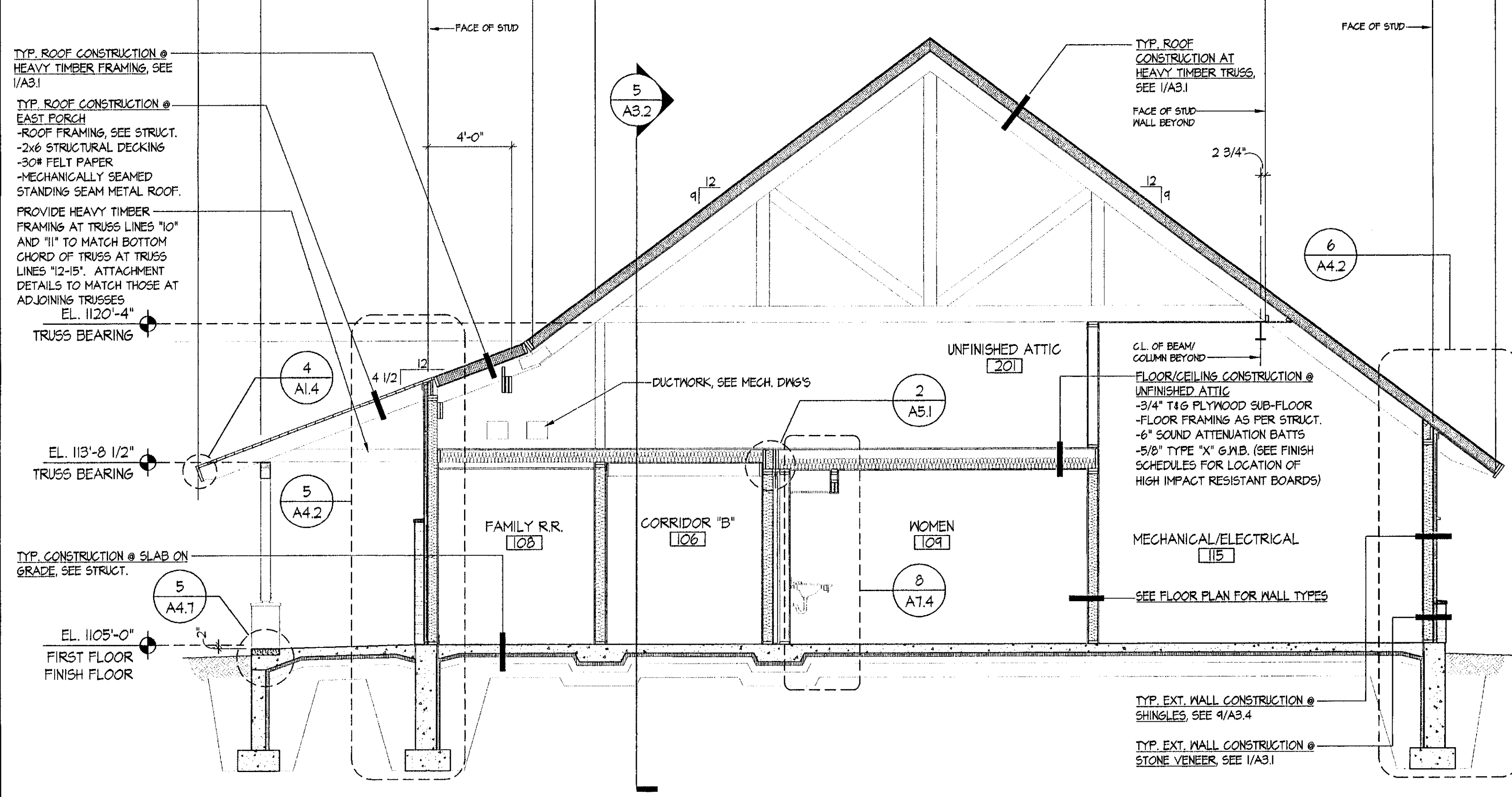
3 RECESSED SLAB @ INTERIOR WALL
 SCALE: 3" = 1'-0"
 2003_B502



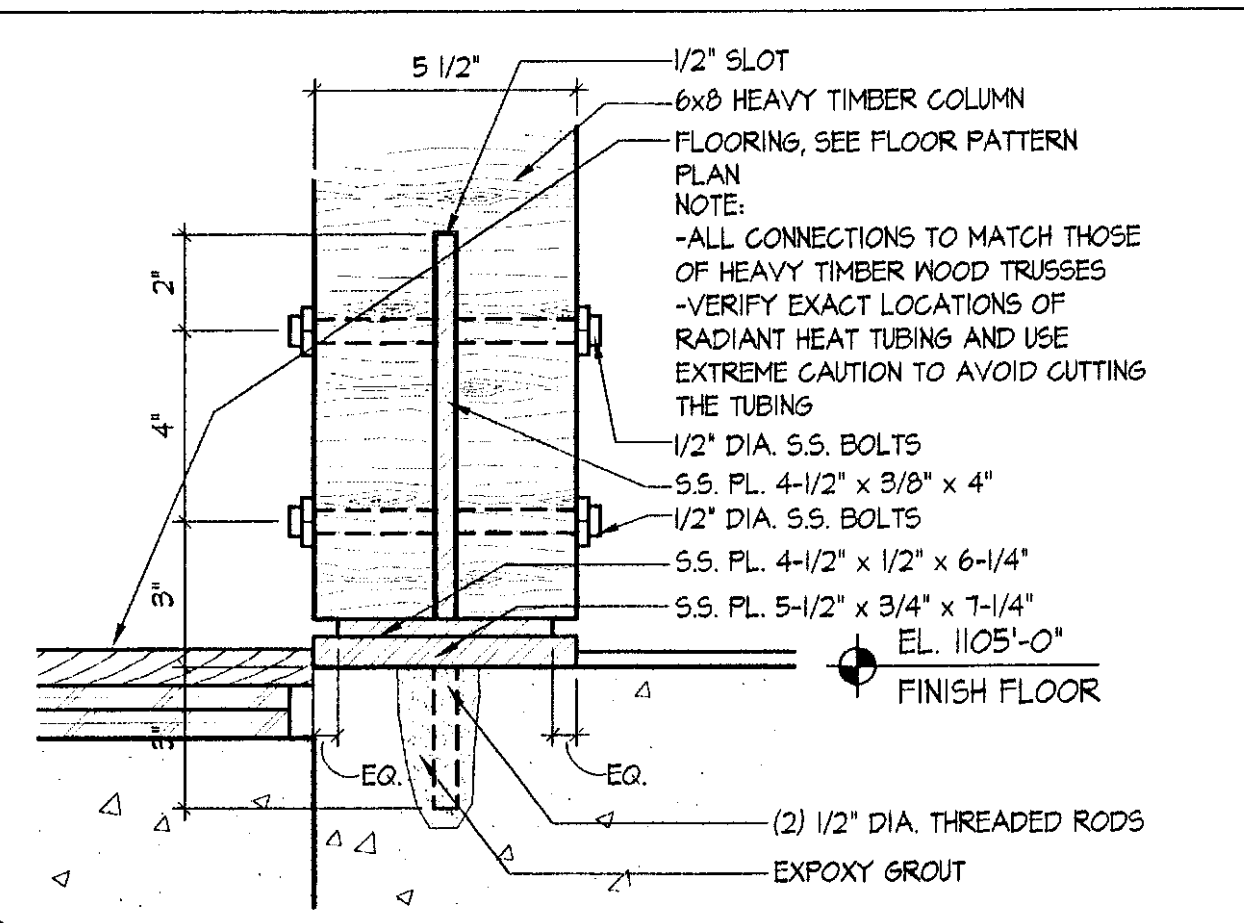
7 ENTRANCE CANOPY SECTION
 SCALE: 1/4" = 1'-0"
 2003_B508



6 BUILDING SECTION AT GABLE DORMER
 SCALE: 1/4" = 1'-0"
 2003_B505



8 BUILDING SECTION FROM FAMILY R.R. TO MECHANICAL
 SCALE: 1/4" = 1'-0"
 2003_B503



9 H.T. COL. BASE DTL./TRUSS LINE "B"
 SCALE: 3" = 1'-0"
 2003_DTL-INT01

© NORTHERN ARCHITECTS INC. ALL RIGHTS RESERVED 2002