

ICE/WATER SHIELD, SEE ROOF PLAN FOR EXTENT, EXTEND TO BREAK IN LOUVE TRIM AS SHOWN
 MECHANICALLY SEALED STANDING SEAM METAL ROOF
 METAL ROOF LOUVE TRIM, AS PER MANUFACTURER
 2x6 T&G STRUCTURAL DECKING
 NOTE: THIS SYMBOL \oplus INDICATES LOCATION WHERE ROOF OVERHANG DIMENSION IS TAKEN TO ON BLDG./MALL SECTION.
 CONT. METAL CLEAT
 2x10 PREFINISHED WOOD FASCIA BOARD
 HEAVY TIMBER FRAMING, SEE STRUCTURAL
 CUT BOTTOM OF HEAVY TIMBER FRAMING PARALLEL W/ FINISH FLOOR AND TO ALIGN WITH ADJACENT FRAMING AT OFFICE AREA ROOF

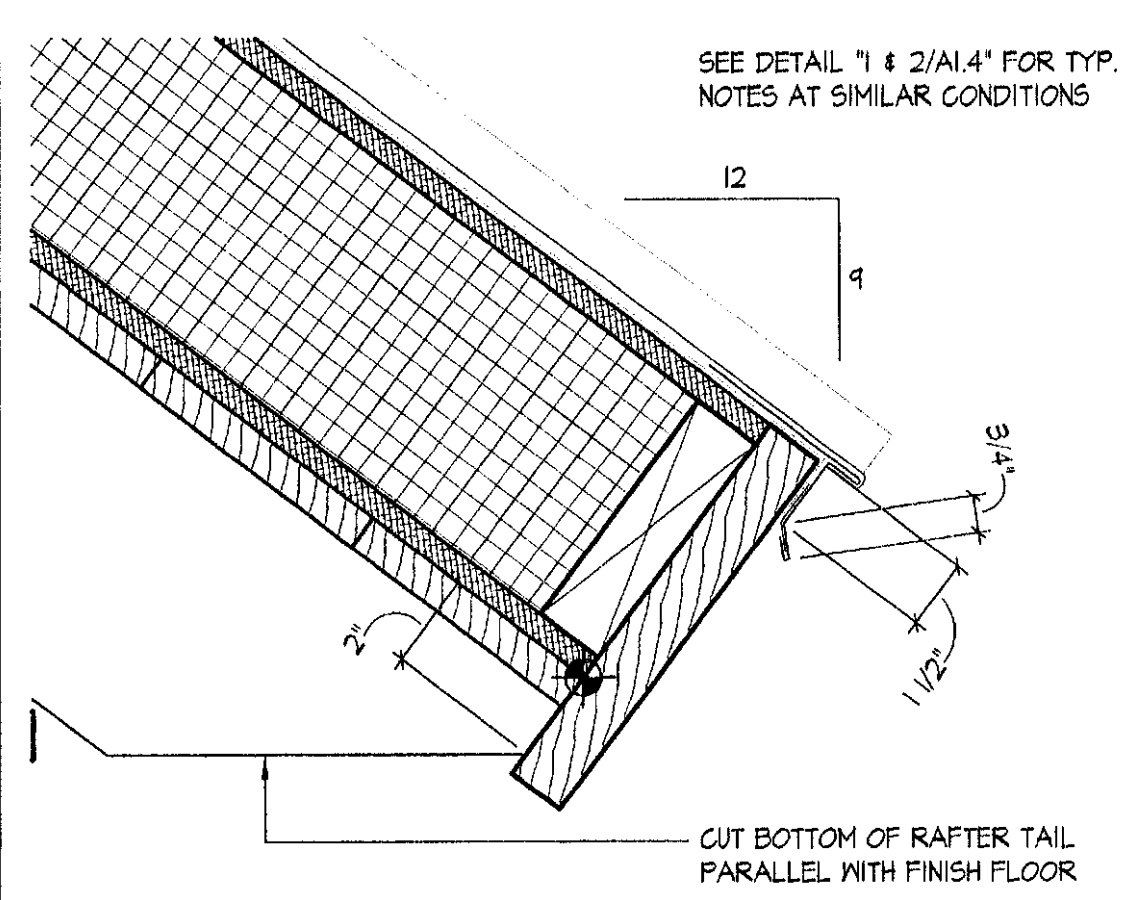
SEE DETAIL "1/4" FOR TYP. NOTES AT SIMILAR CONDITIONS
 STRUCTURAL INSULATED PANEL SYSTEM, SEE STRUCTURAL DRAWINGS
 2x10 PREFINISHED WOOD FASCIA BOARD
 1x6 "V" JOINT SHIPLAP
 HEAVY TIMBER FRAMING, SEE STRUCTURAL

SEE DETAIL "1 & 2/4" FOR TYP. NOTES AT SIMILAR CONDITIONS

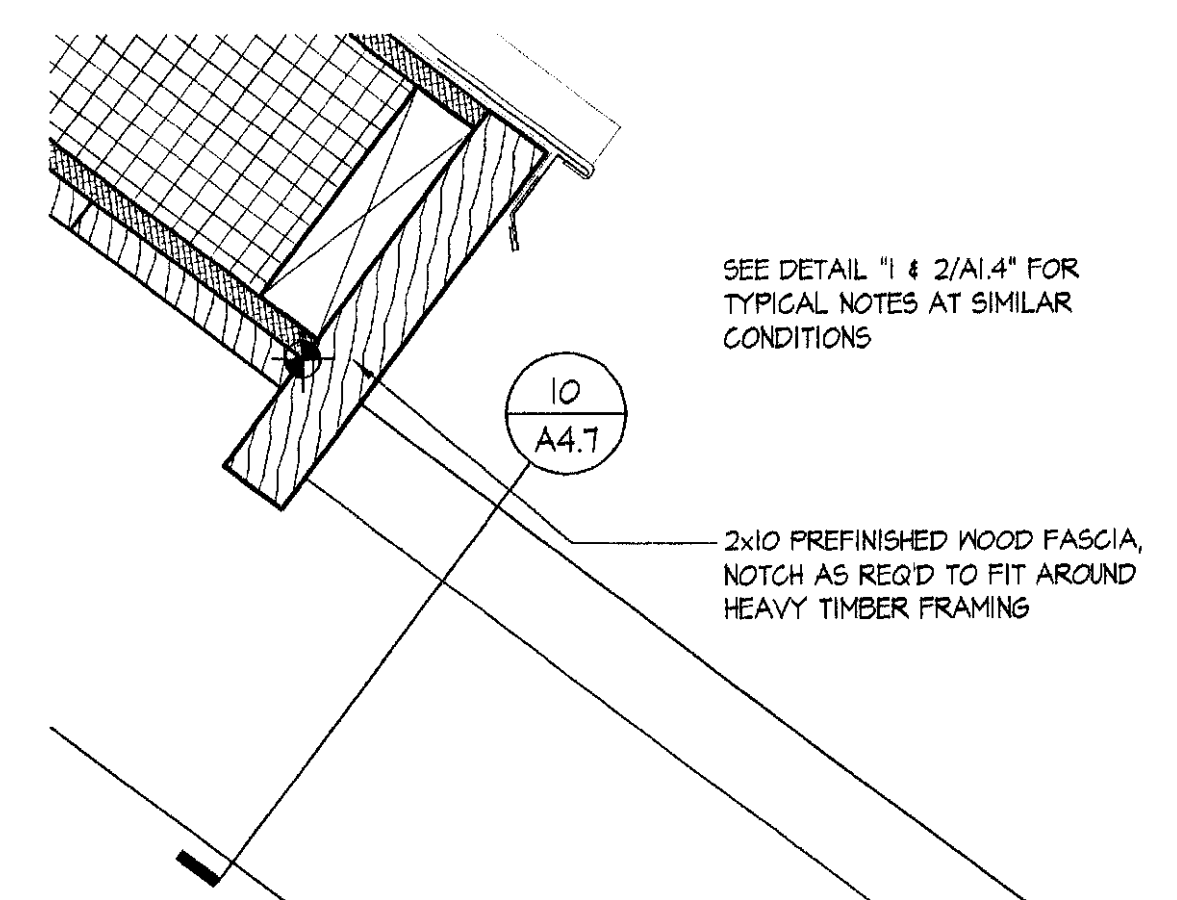
SEE DETAIL "1 AND 2/4" FOR TYP. NOTES AT SIMILAR CONDITIONS

SEE DETAIL "1 & 2/4" FOR TYP. NOTES AT SIMILAR CONDITIONS

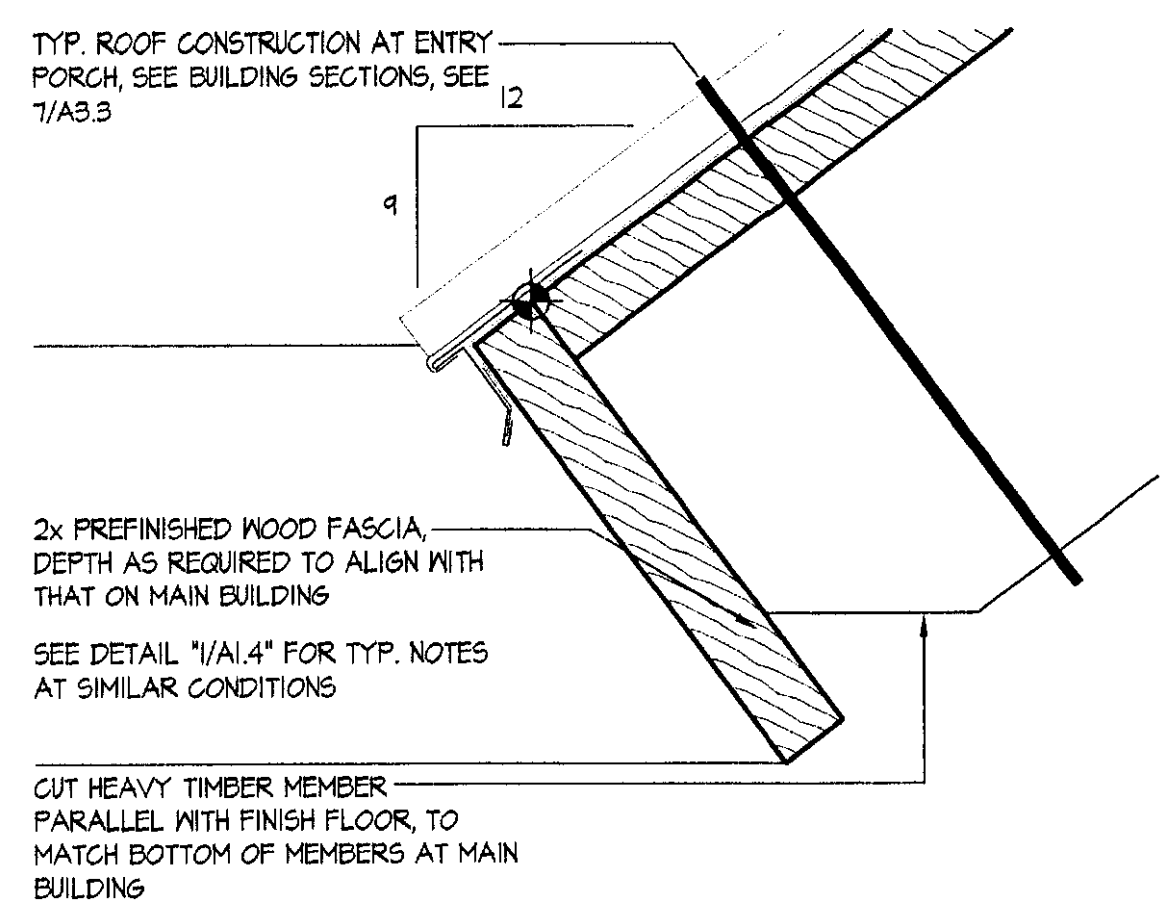
1 FASCIA DTL. @ SOUTH PORCH
 SCALE: 3" = 1'-0" 2003_B501



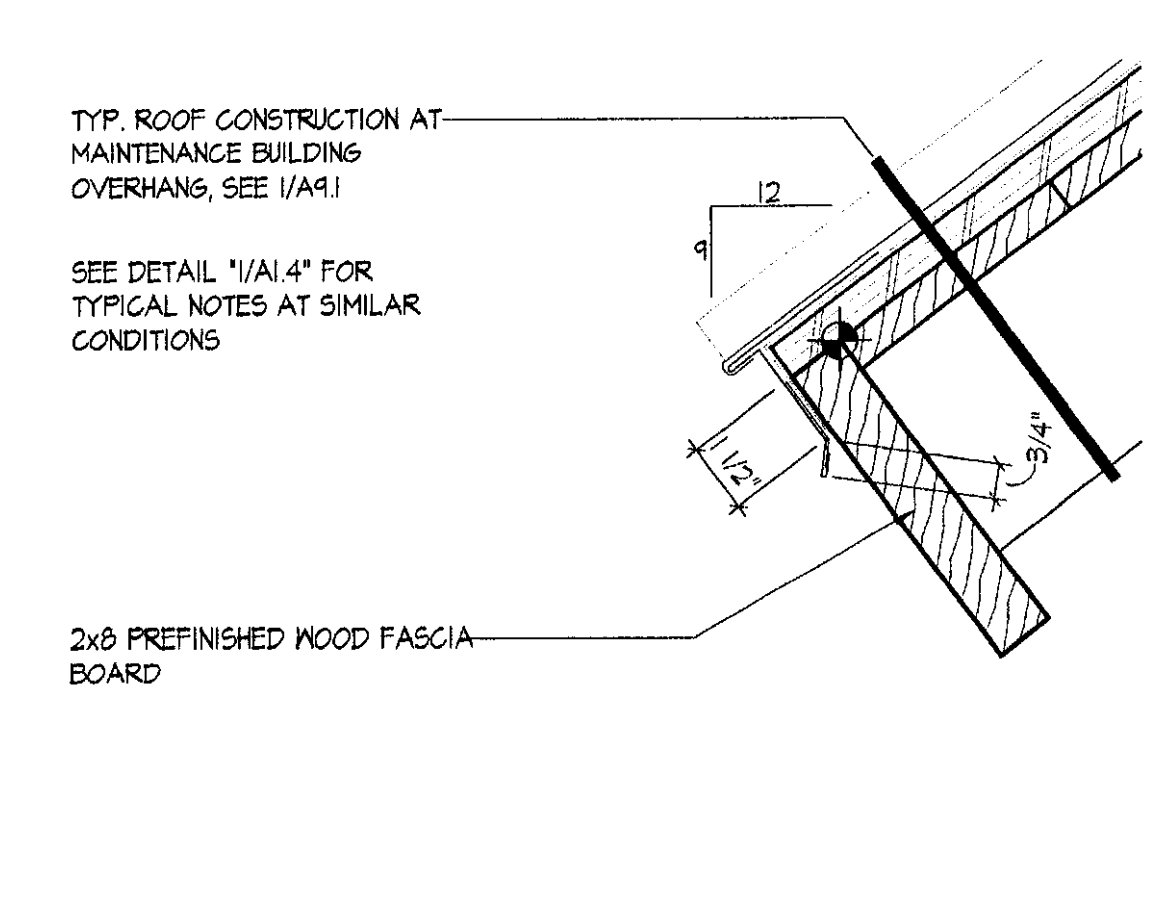
2 FASCIA DTL. @ 4.5:12 S.I.P. ROOF
 SCALE: 3" = 1'-0" 2003_B502



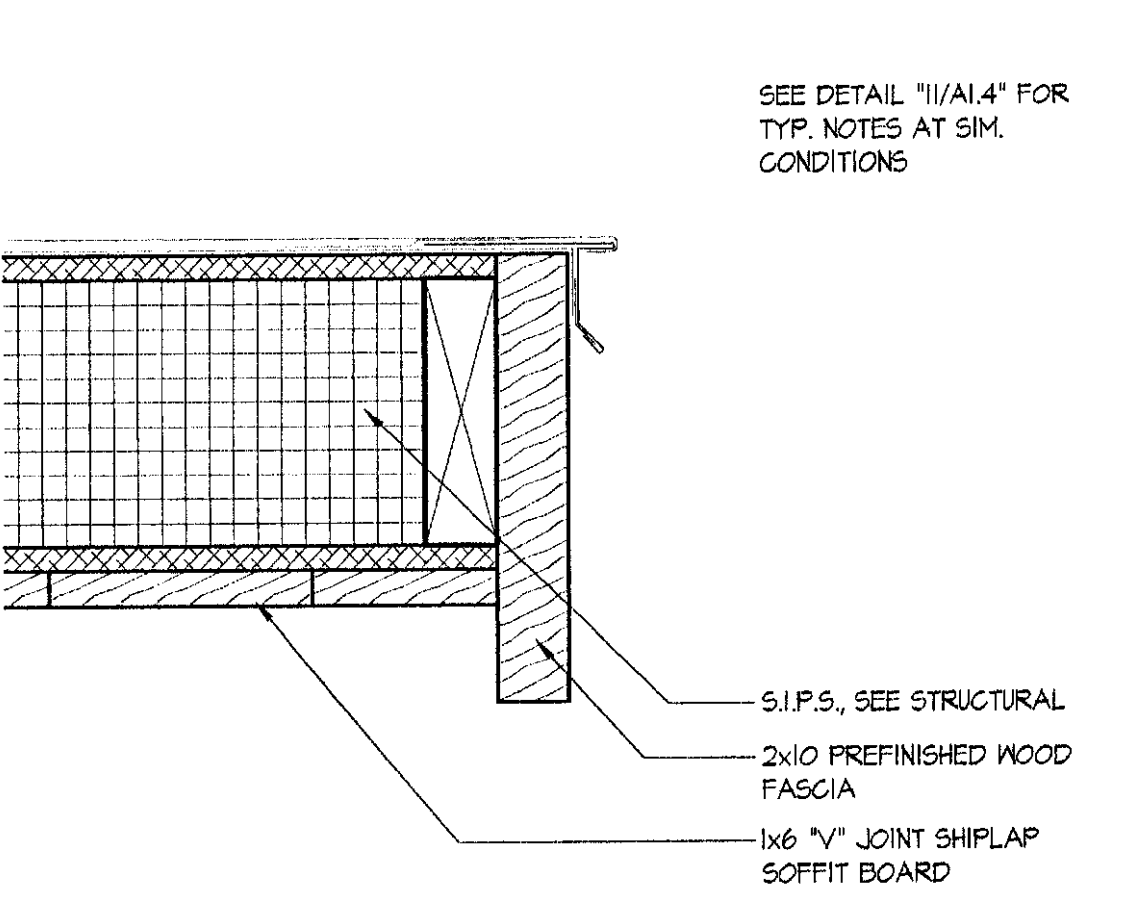
3 FASCIA DTL. @ 4:12 S.I.P. ROOF
 SCALE: 3" = 1'-0" 2003_B504



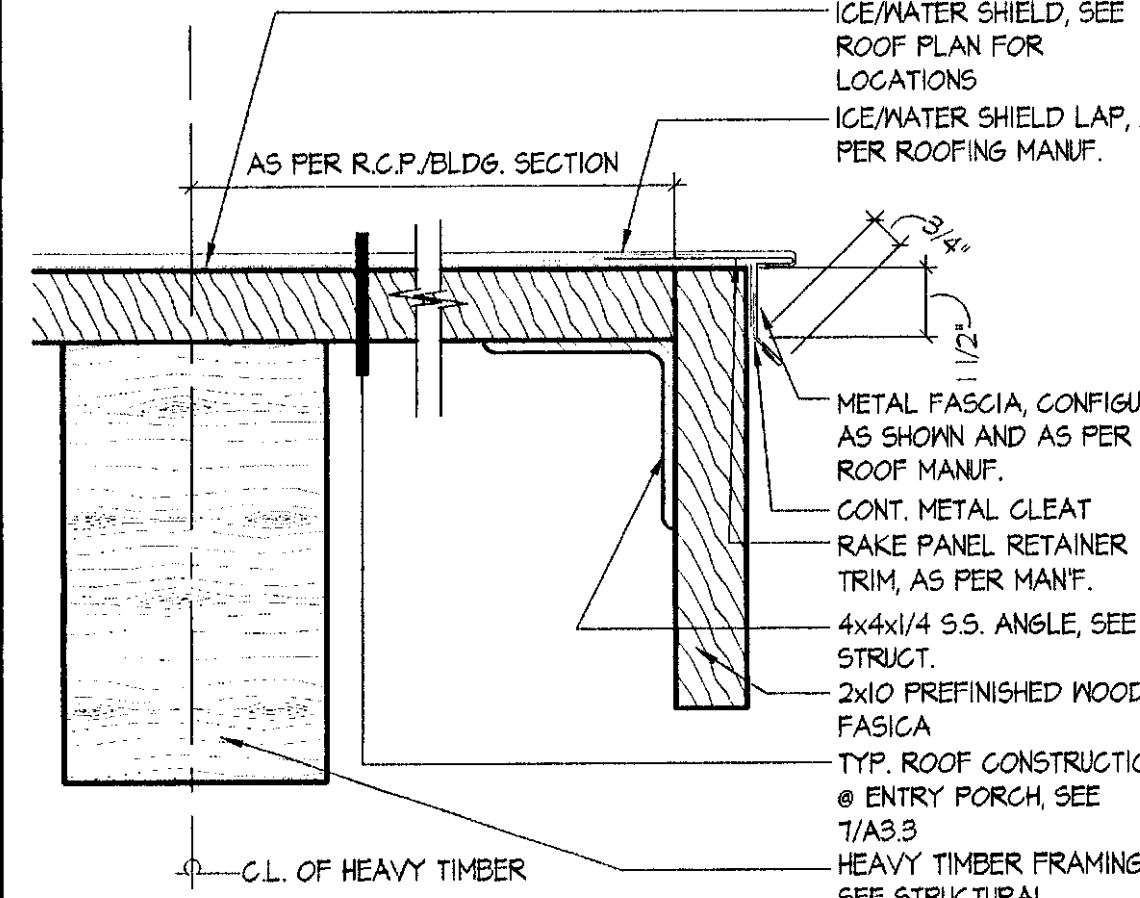
4 FASCIA DTL. @ EAST PORCH ROOF
 SCALE: 3" = 1'-0" 2003_B503



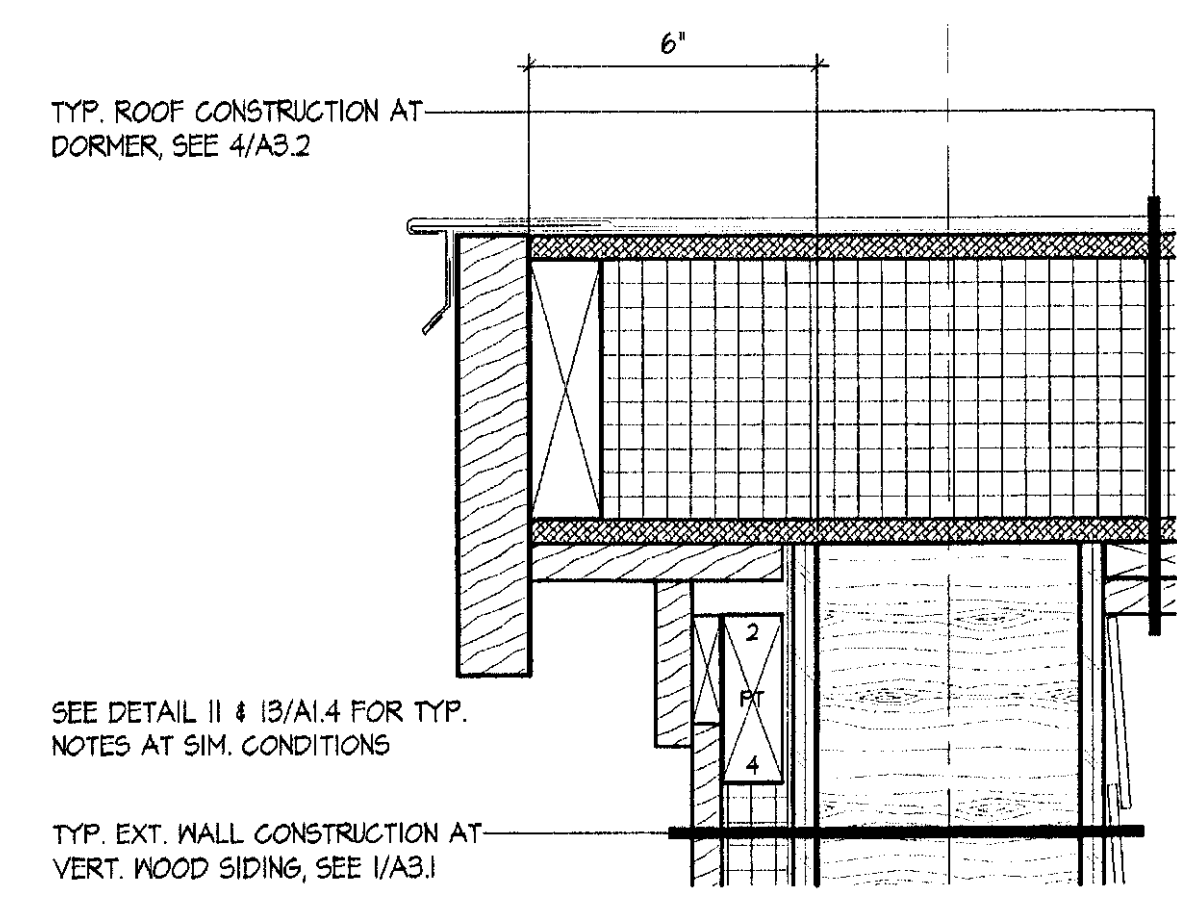
5 FASCIA DTL. @ 9:12 S.I.P. ROOF
 SCALE: 3" = 1'-0" 2003_B505



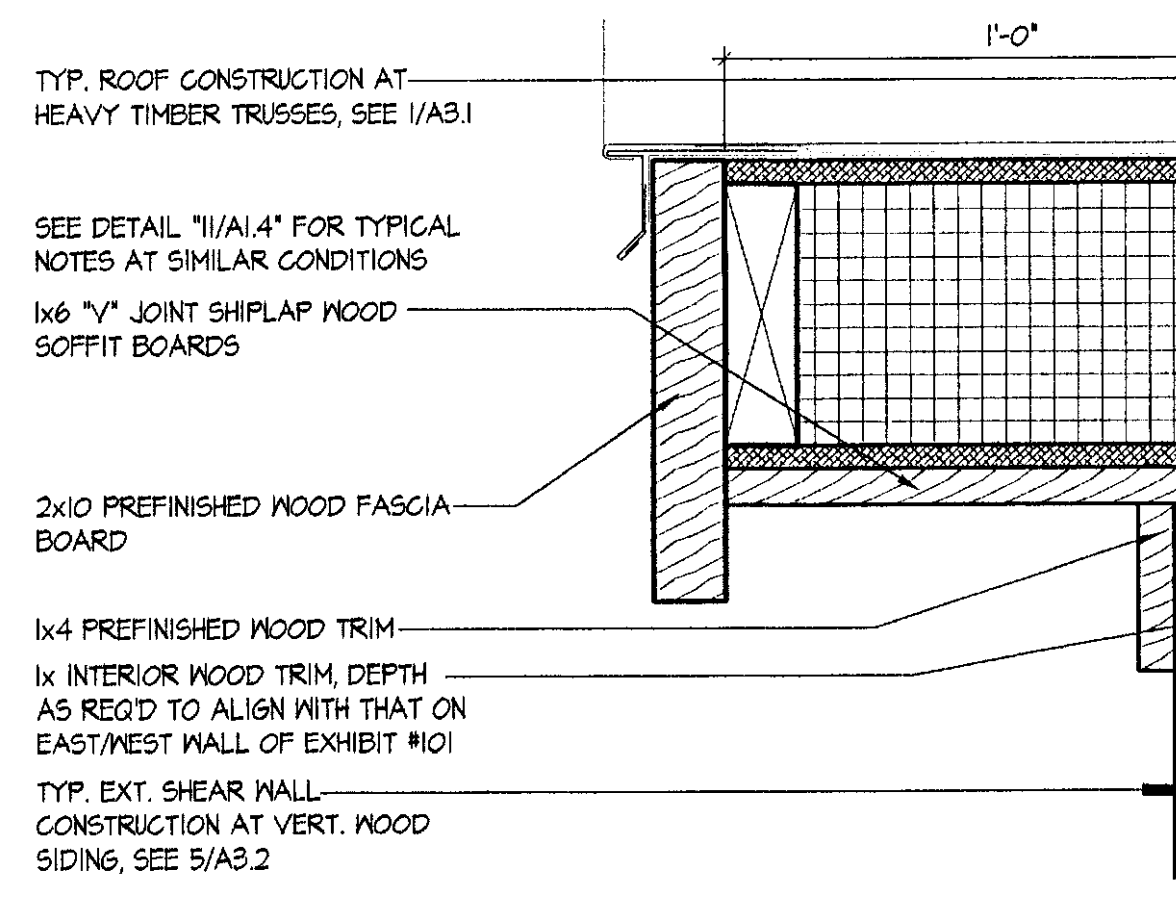
6 FASCIA DTL. @ 9:12 HIP DORMER
 SCALE: 3" = 1'-0" 2003_B505



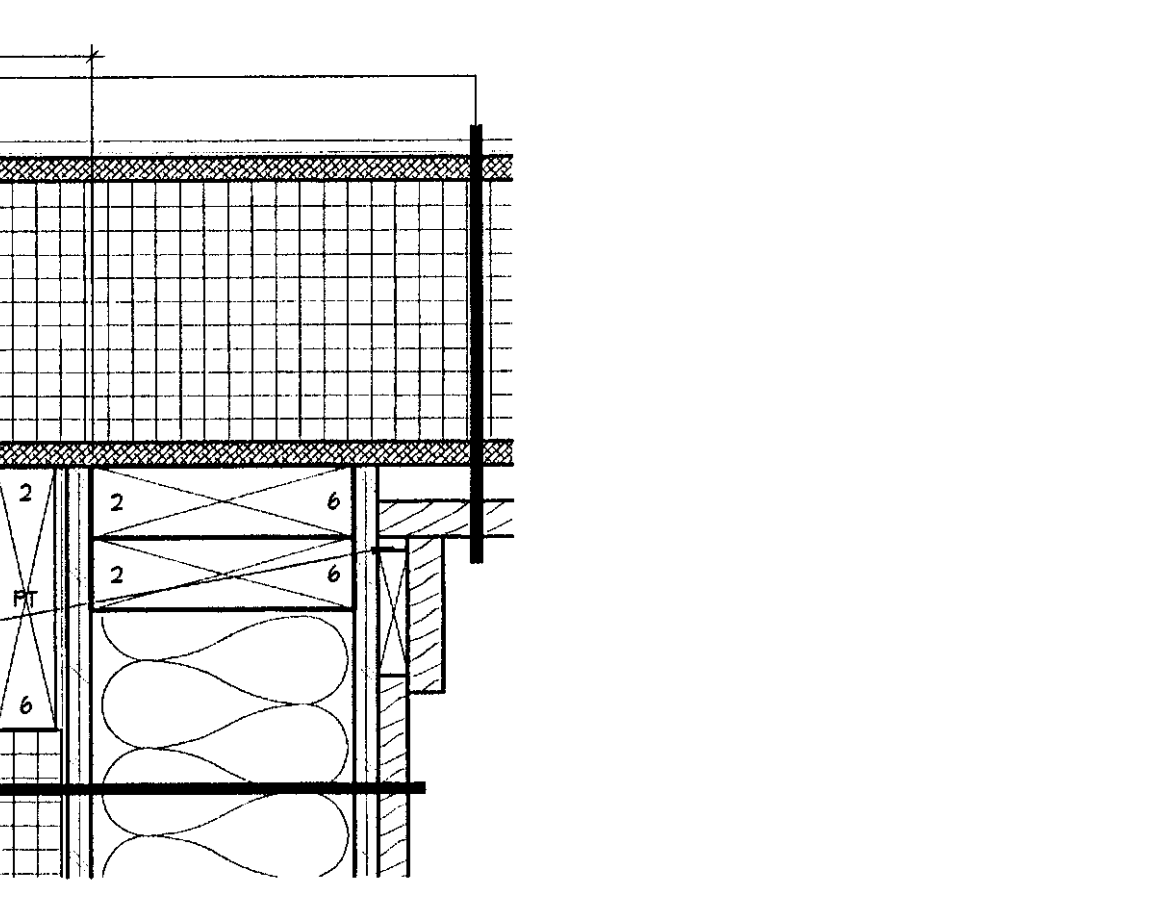
7 FASCIA DTL. @ EXTENDED RAFTERS
 SCALE: 3" = 1'-0" 2003_B502



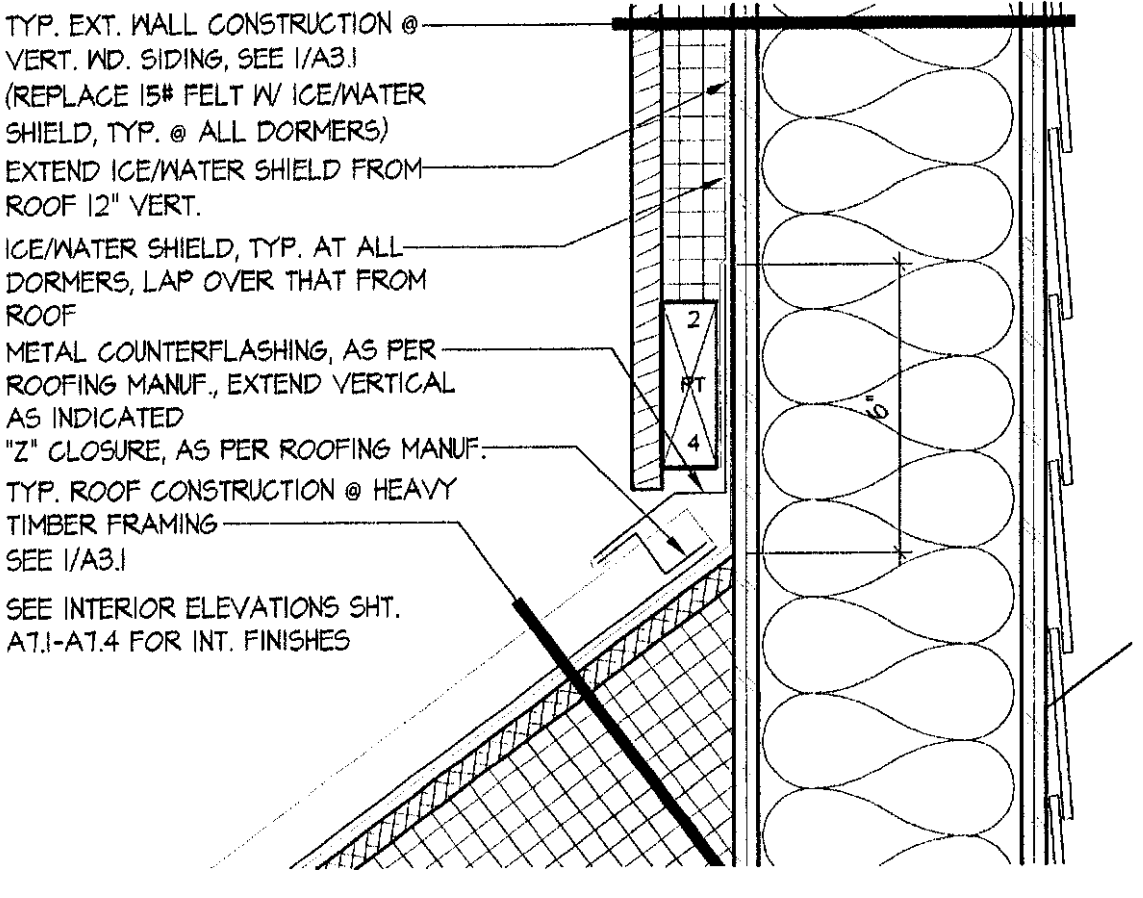
8 FASCIA DTL. @ ENTRY PORCH
 SCALE: 3" = 1'-0" 2003_B506



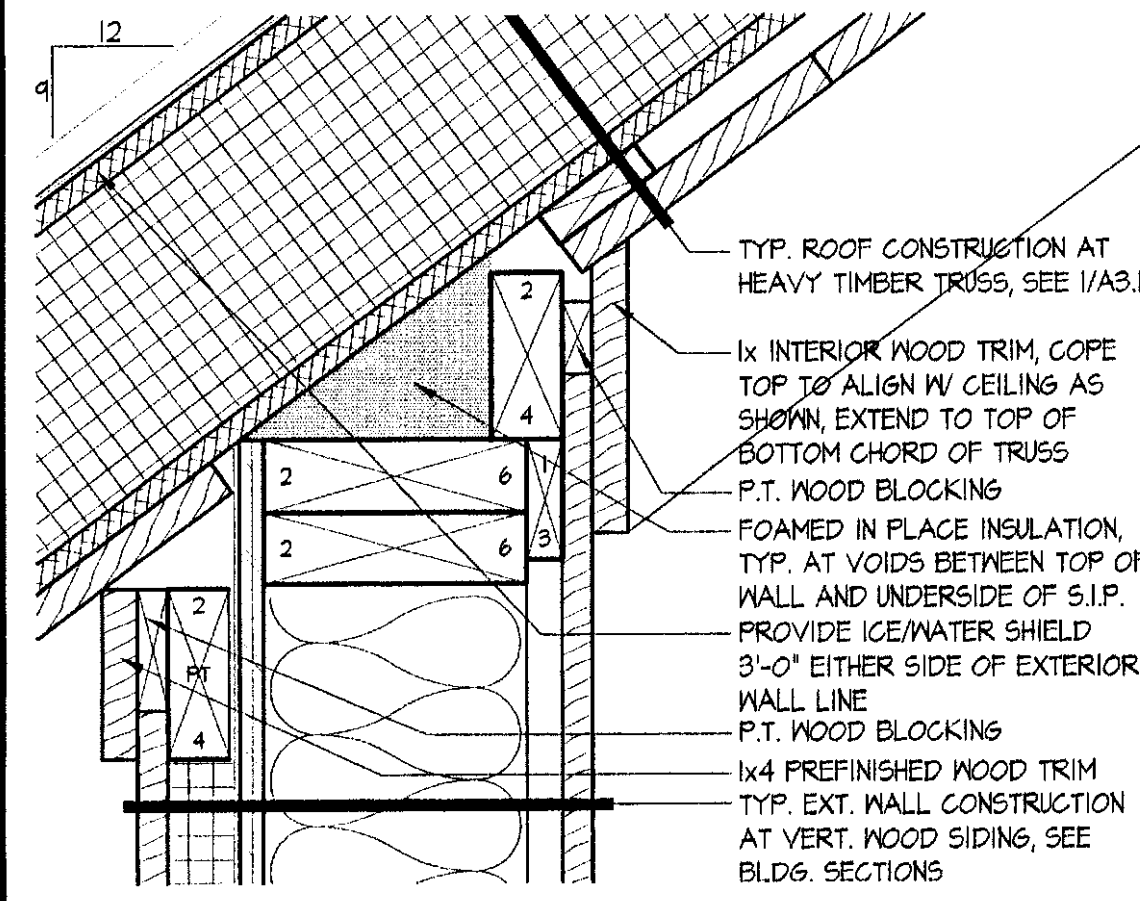
9 FASCIA DETAIL @ MAINT. BLDG.
 SCALE: 3" = 1'-0" 2003_B504



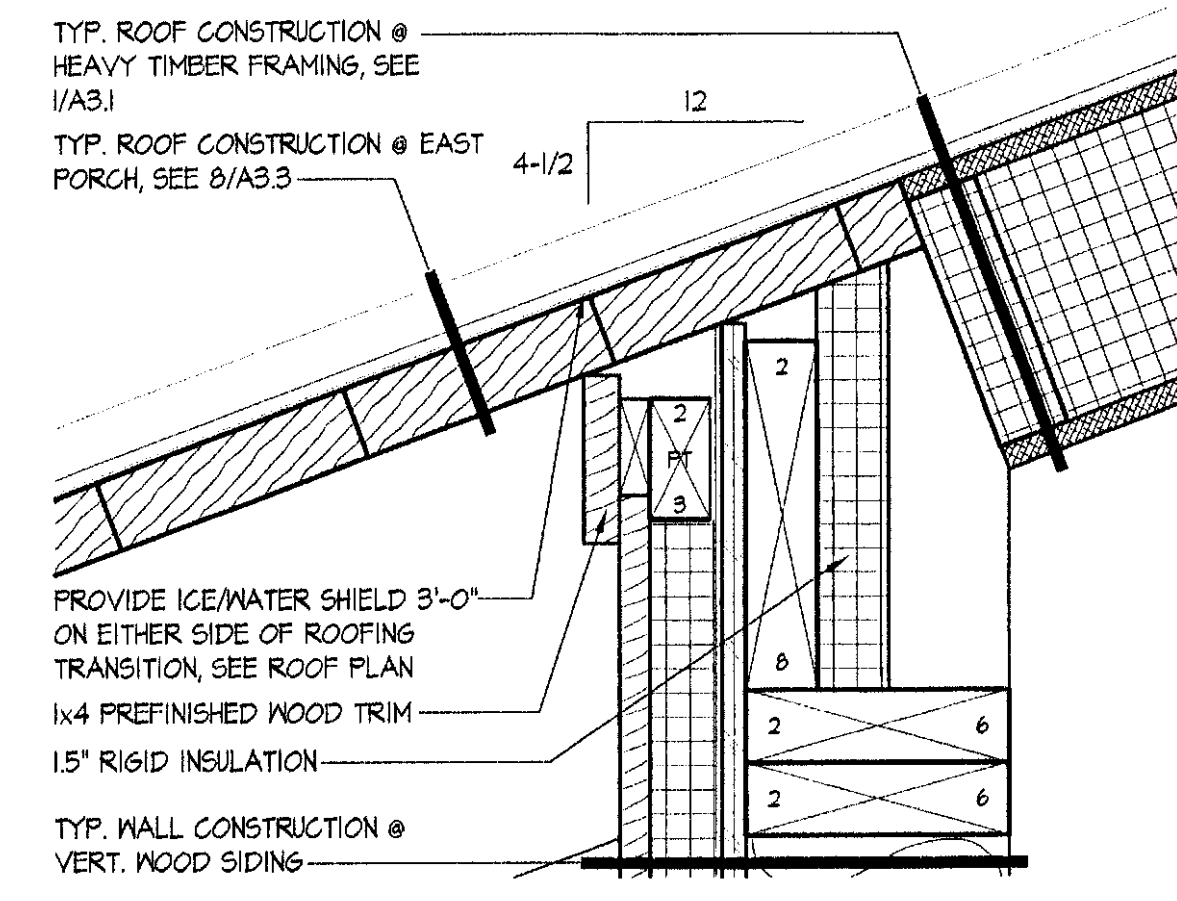
10 RAKE DETAIL @ SOUTH PORCH
 SCALE: 3" = 1'-0" 2003_B502



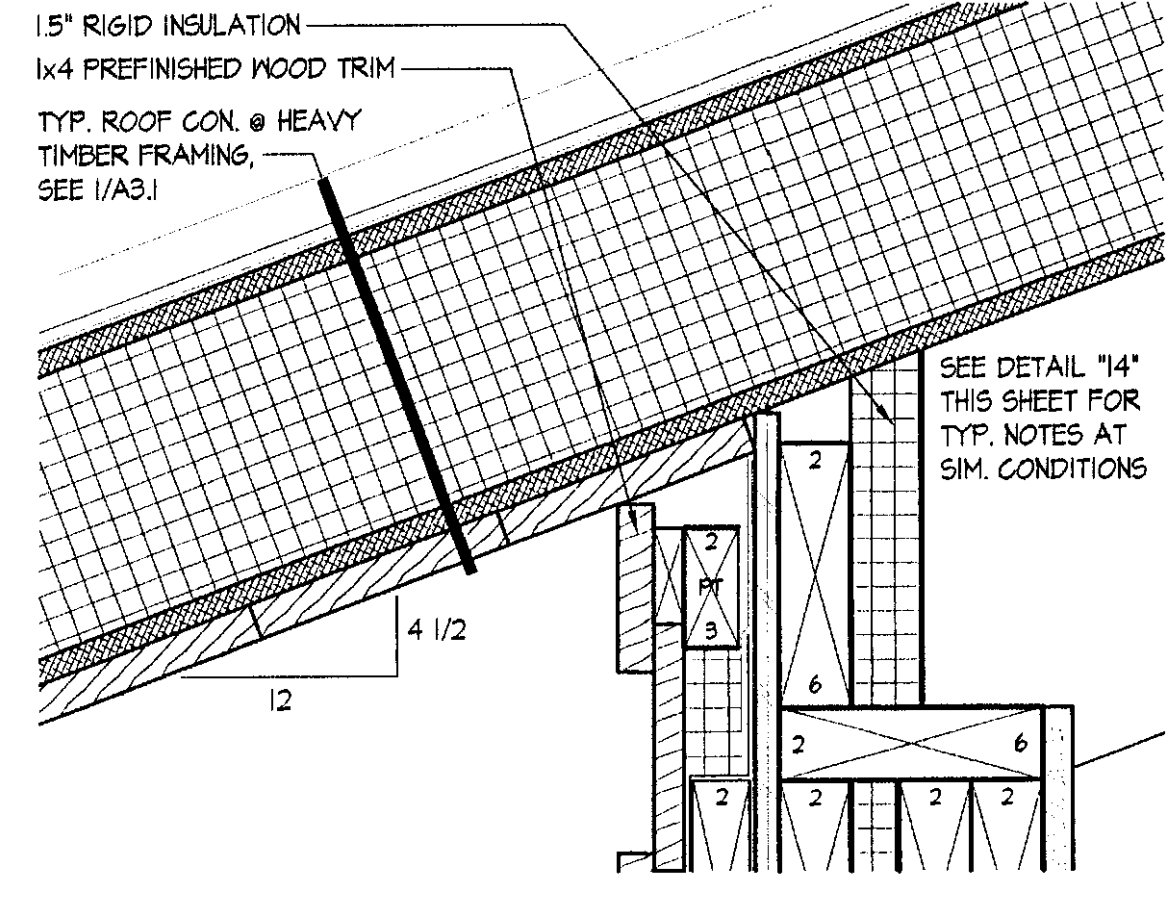
11 RAKE DETAIL @ PORCH ROOF
 SCALE: 3" = 1'-0" 2003_DTL-ROOF01



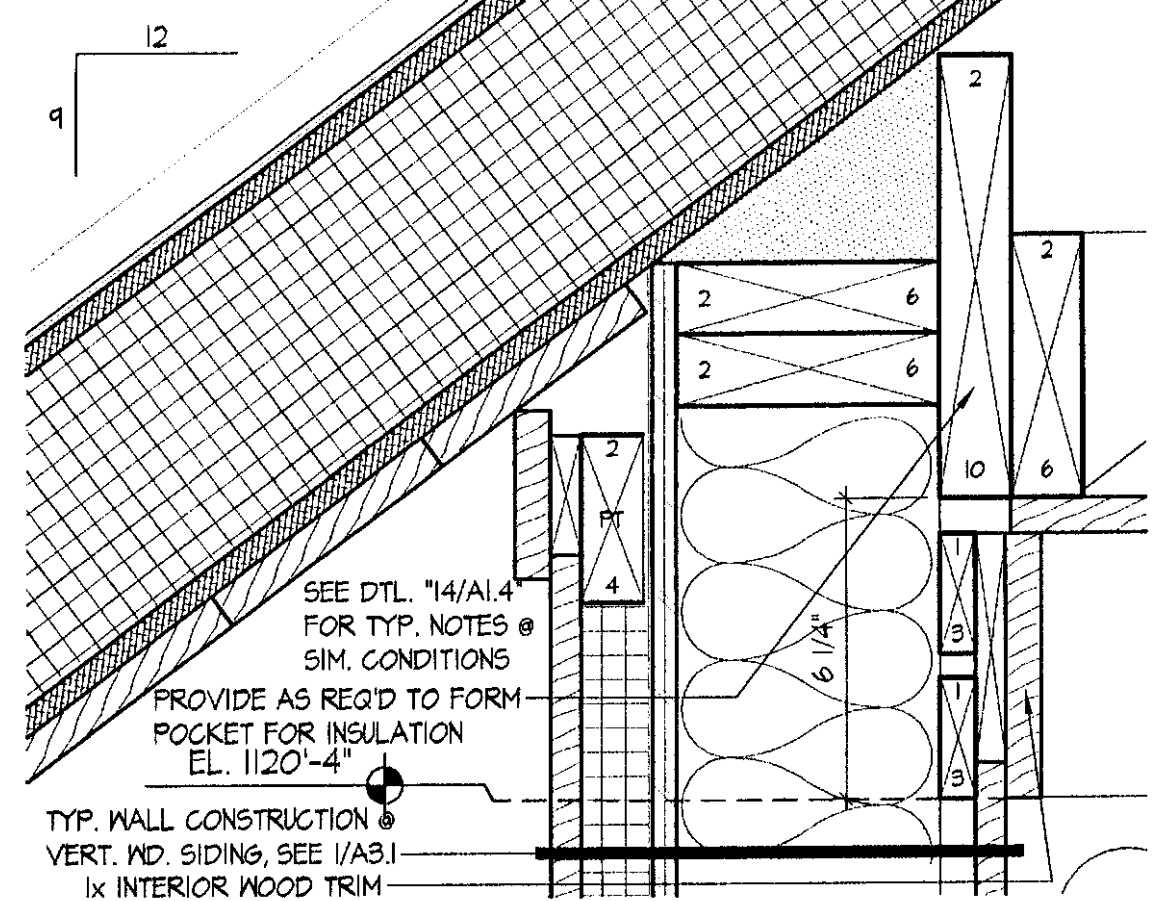
12 RAKE DETAIL @ SHED DORMERS
 SCALE: 3" = 1'-0" 2003_B506



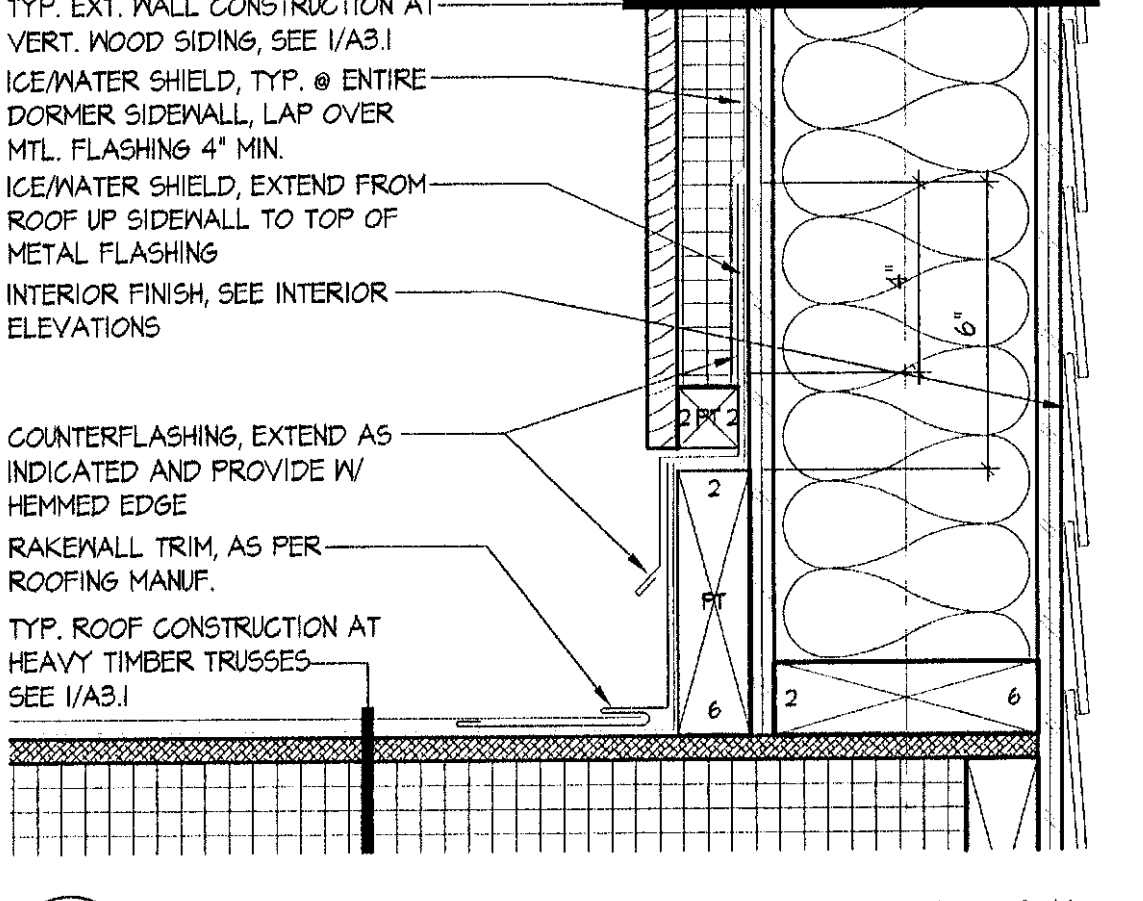
13 TYPICAL RAKE DETAIL
 SCALE: 3" = 1'-0" 2003_B506



14 EXTERIOR WALL TERMINATION DTL.
 SCALE: 3" = 1'-0" 2003_B501



15 EXTERIOR WALL TERMINATION DTL.
 SCALE: 3" = 1'-0" 2003_B505



16 EXTERIOR WALL TERMINATION DTL.
 SCALE: 3" = 1'-0" 2003_B501



17 EXTERIOR WALL TERMINATION DTL.
 SCALE: 3" = 1'-0" 2003_B503



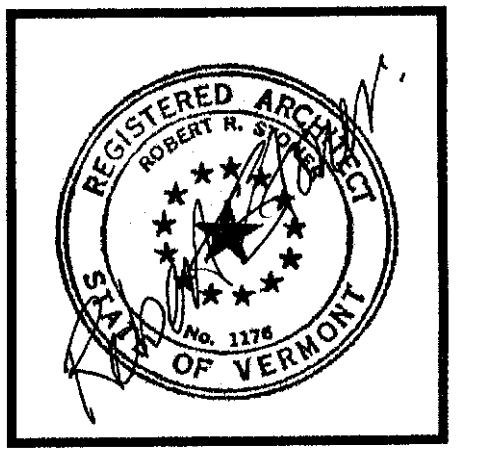
18 EXTERIOR WALL TERMINATION DTL.
 SCALE: 3" = 1'-0" 2003_B502



19 EXTERIOR WALL TERMINATION DTL.
 SCALE: 3" = 1'-0" 2003_B503



20 TYP. DORMER SIDEWALL DETAIL
 SCALE: 3" = 1'-0" 2003_B506



NORTHERN ARCHITECTS
 207 KING STREET
 SUITE 3
 BURLINGTON, VERMONT
 05401-4502
 802-658-1953

CONSULTANTS
 CIVIL
 KREBS AND LANSING
 10 Main Street
 Colchester VT 05446
 (802)-878-0375
 LANDSCAPE ARCHITECT
OHKW
 1 Marble Ave.
 Burlington VT 05401
 (802)-864-0010
 STRUCTURAL
 RICHARD M. DOHERTY, P.E.
 117 St. Paul Street
 Burlington VT 05401
 (802)-660-4212
 PLUMBING, MECHANICAL
 AND ELECTRICAL
 DUFFRENE AND HENRY
 Precision Part
 North Springfield VT 05150-0024
 (802)-886-2261

REVISIONS

PROJECT
DERBY WELCOME CENTER
 PROJECT #10 091-3(8)
 NEW FACILITY
 DERBY VERMONT

DATE: 01/01/2002
 SCALE: AS NOTED
 CHECKED: HS
 PROJECT NO: 2003

ROOF DETAILS

A1.4

© NORTHERN ARCHITECTS INC. ALL RIGHTS RESERVED 2002