

NORTHERN ARCHITECTS
 207 KING STREET
 SUITE 3
 BURLINGTON, VERMONT
 05401-4502
 802-658-1953

CONSULTANTS
 CIVIL
 KREBS AND LANSING
 10 Main Street
 Colchester VT 05446
 (802)-878-0375
 LANDSCAPE ARCHITECT
OHKW
 7 Marble Ave.
 Burlington VT 05401
 (802)-864-0010
 STRUCTURAL
 RICHARD M. DOHERTY, P.E.
 117 St. Paul Street
 Burlington VT 05401
 (802)-660-4212
 PLUMBING, MECHANICAL,
 AND ELECTRICAL
 DUPRESNE AND HENRY
 Precision Park
 North Springfield VT 05503-0029
 (802)-886-2261

REVISIONS

NO.	DATE	DESCRIPTION

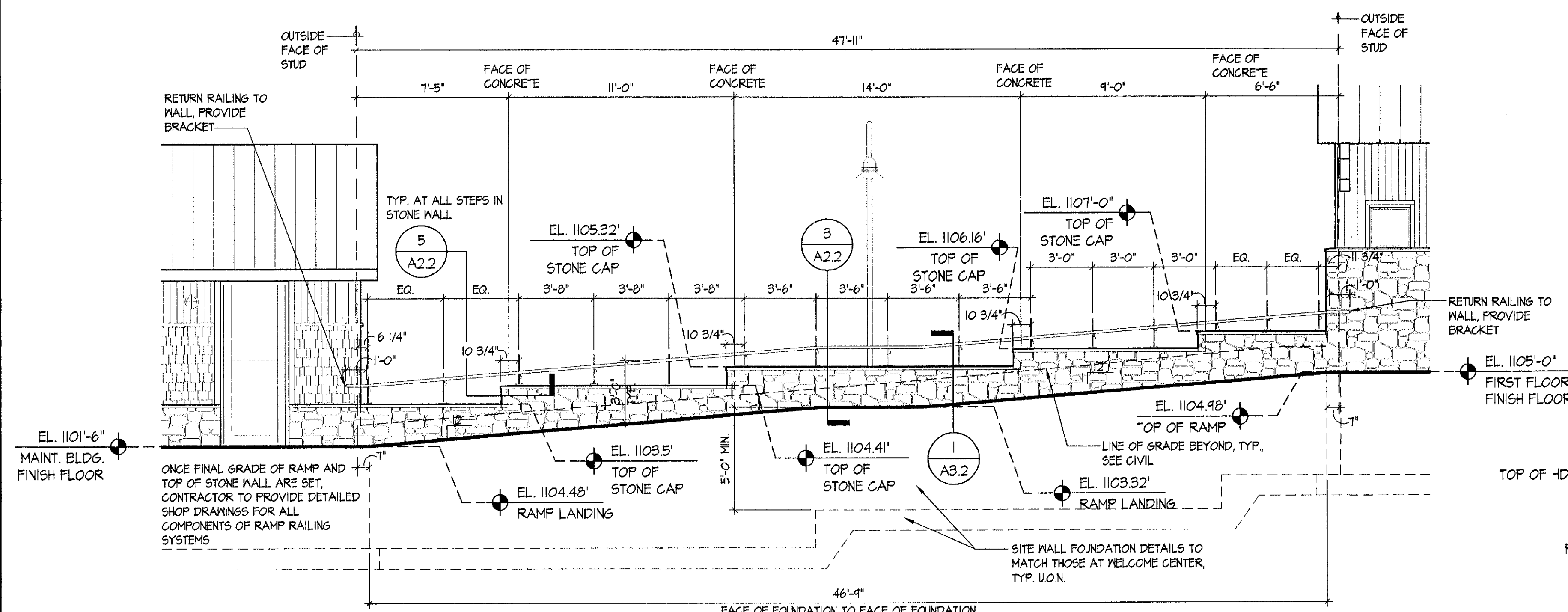
PROJECT
DERBY WELCOME CENTER
 PROJECT #101-3(8)
 NEW FACILITY
 DERBY VERMONT

DATE: 01/01/2002
 SCALE: AS NOTED
 CHECKED: HS
 PROJECT NO: 2003

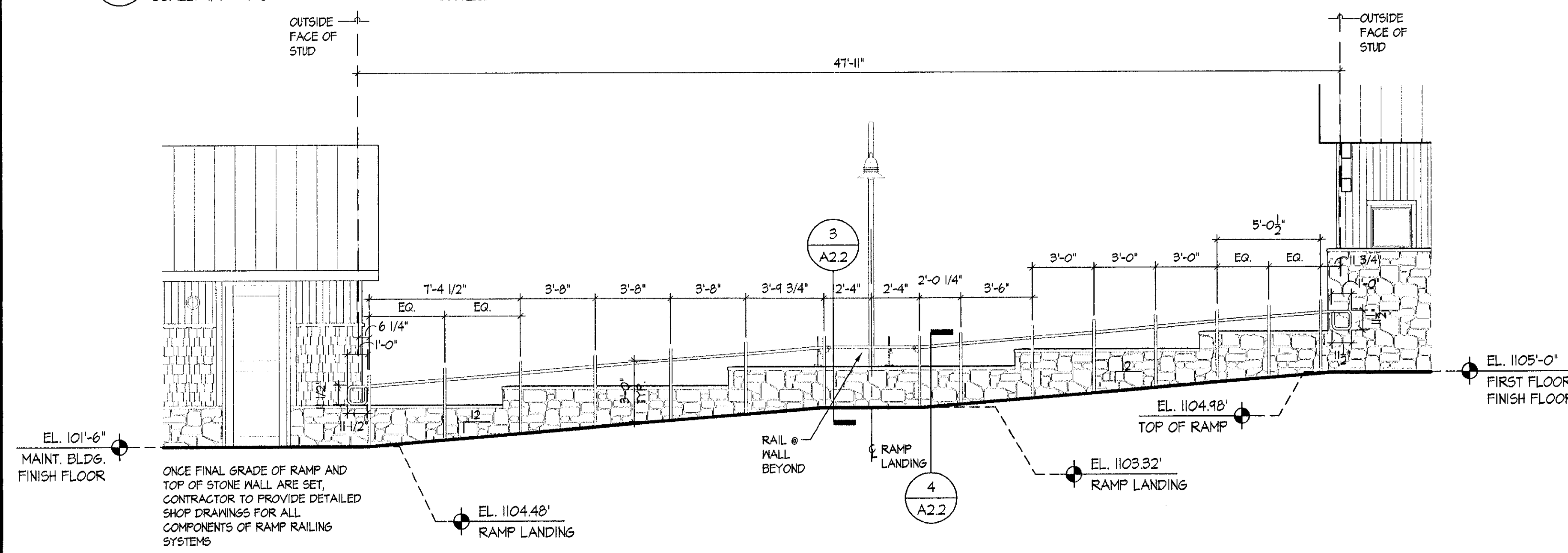
RAMP PLAN, ELEVATIONS, AND DETAILS / ENLARGED ELEVATIONS

A2.2

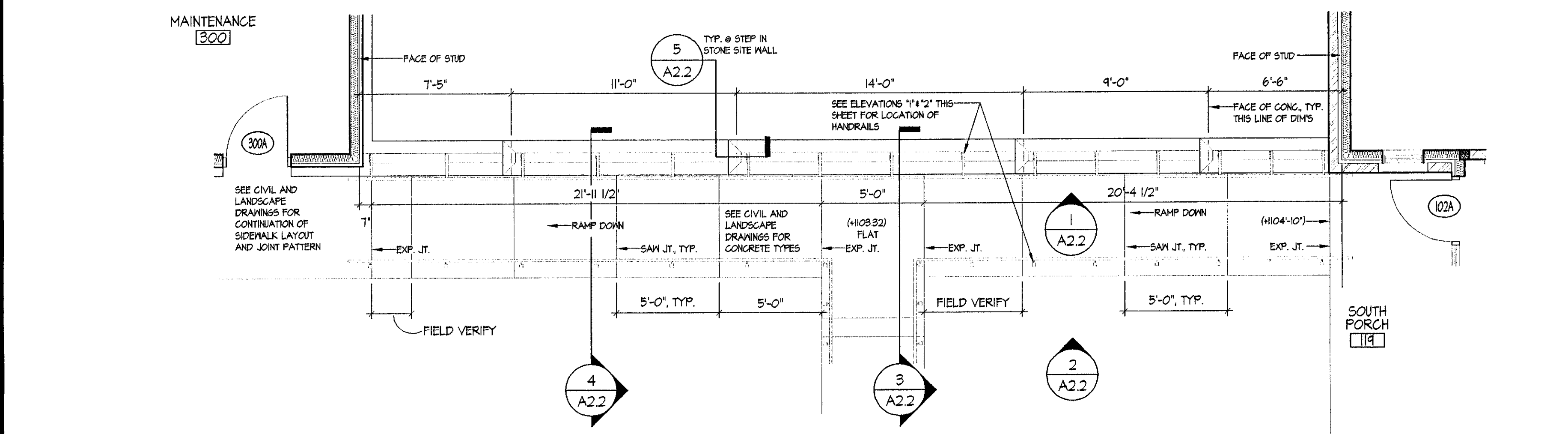
© NORTHERN ARCHITECTS INC. ALL RIGHTS RESERVED 2002



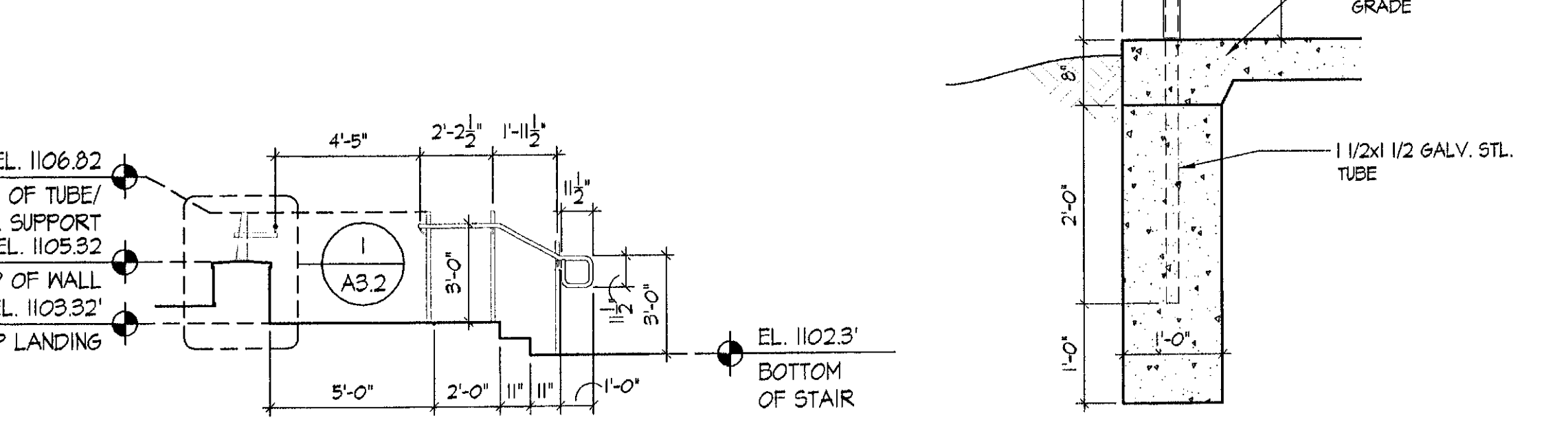
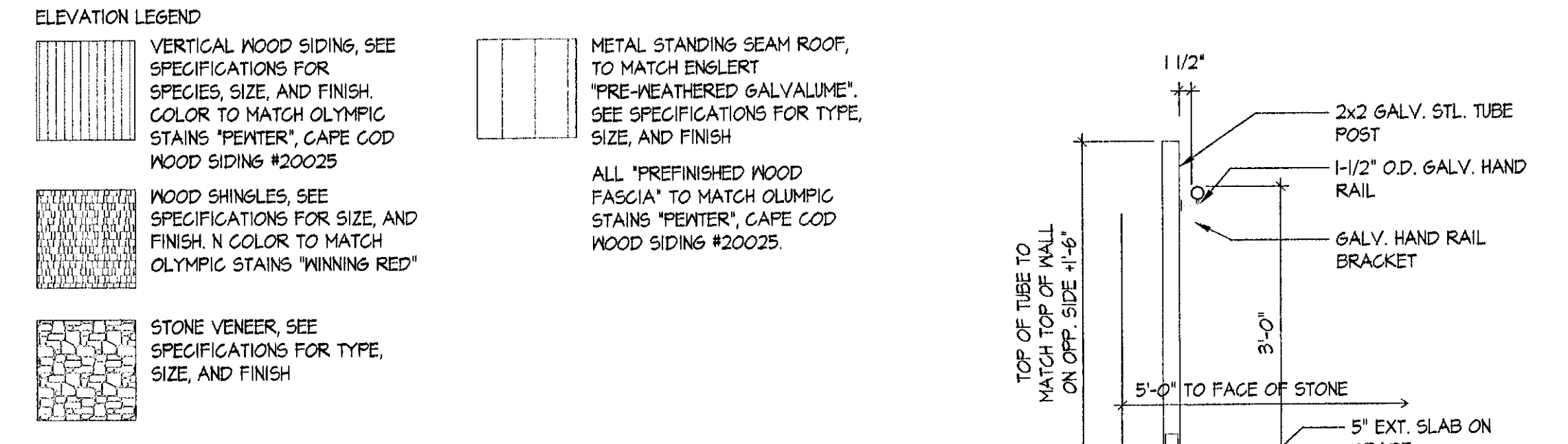
1 ELEVATION OF RAIL / WALL BETWEEN WELCOME CENTER & MAINTENANCE BUILDING
 SCALE: 1/4" = 1'-0"
 2003_ELEV-RAMP



2 ELEVATION OF RAILS BETWEEN WELCOME CENTER & MAINTENANCE BUILDING
 SCALE: 1/4" = 1'-0"
 2003_ELEV-RAMP

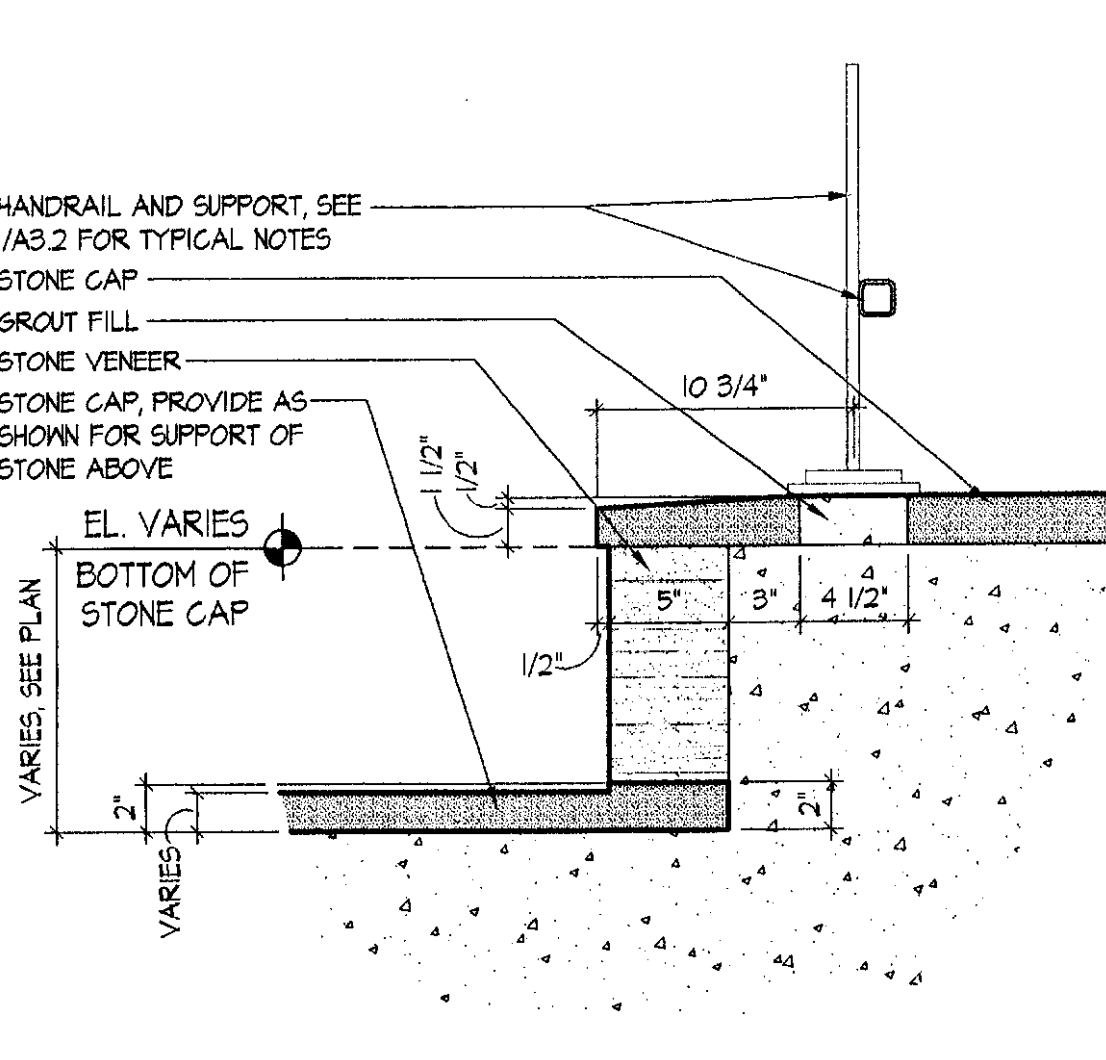


PLAN OF RAMP BETWEEN WELCOME CENTER & MAINTENANCE BUILDING
 SCALE: 1/4" = 1'-0"
 2003_PP01

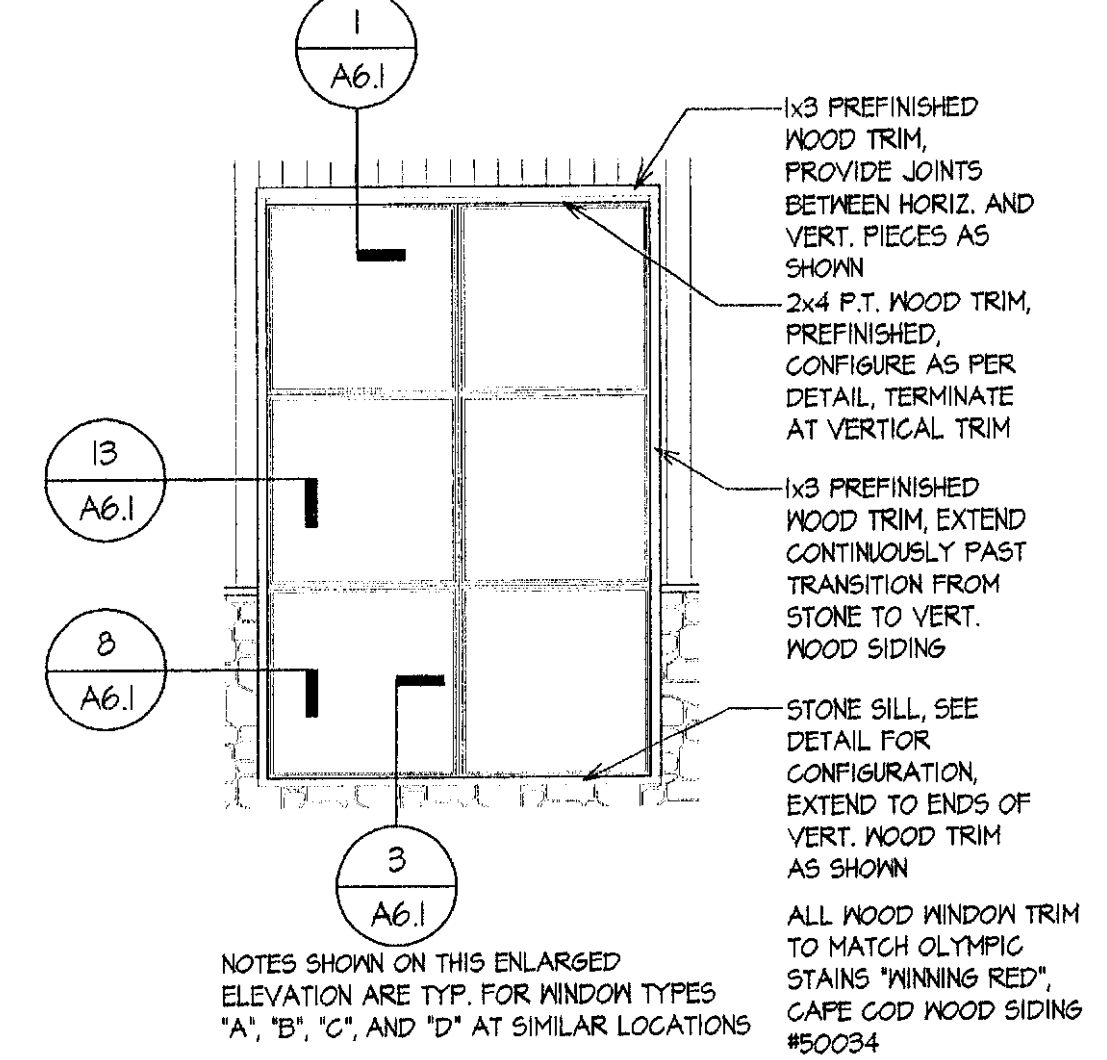


3 ELEV. OF RAIL @ WALKWAY STAIR
 SCALE: 1/4" = 1'-0"
 2003_ELEV-RAMP

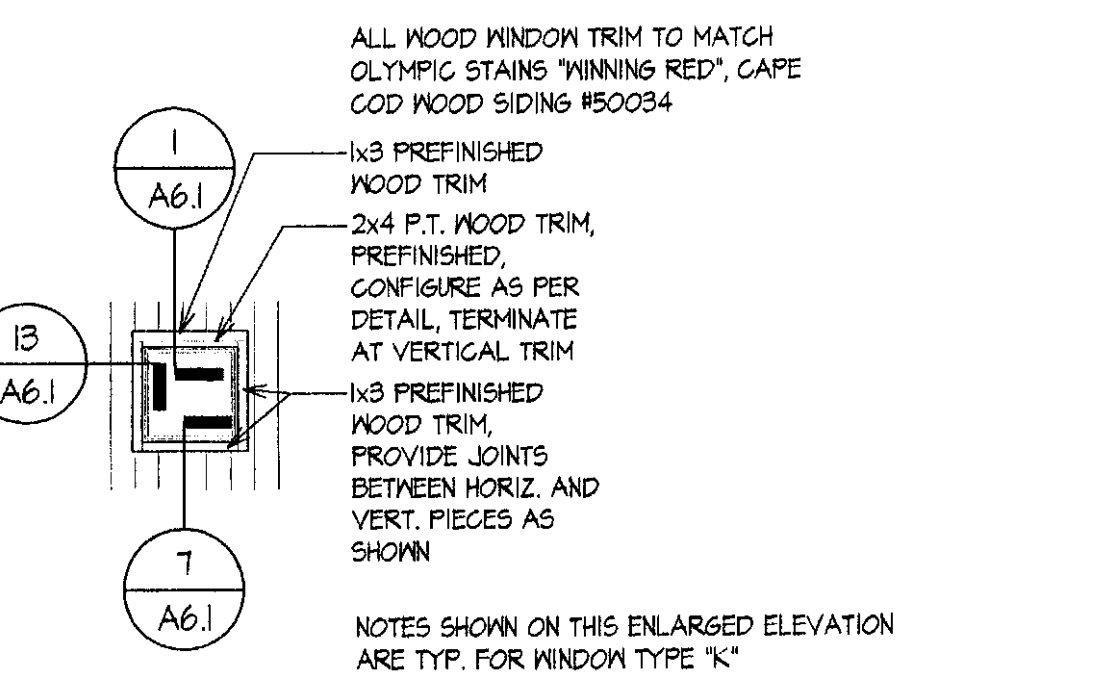
4 HAND RAIL SECTION @ RAMP
 SCALE: 3/4" = 1'-0"
 2003_DTL-ARCH04



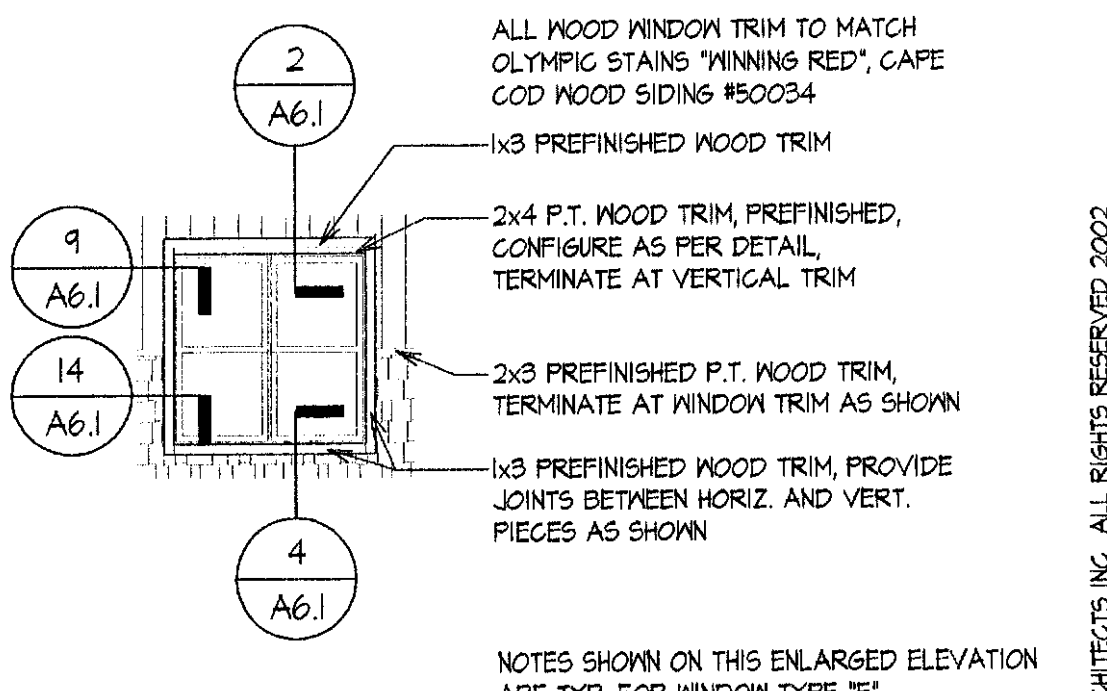
5 DETAIL AT STEP IN STONE WALL
 SCALE: 1-1/2" = 1'-0"
 2003_DTL-ARCH02



6 ENLARGED WINDOW ELEVATION
 SCALE: 1/4" = 1'-0"
 2003_ELEV



7 ENLARGED WINDOW ELEVATION
 SCALE: 1/4" = 1'-0"
 2003_ELEV



8 ENLARGED WINDOW ELEVATION
 SCALE: 1/4" = 1'-0"
 2003_ELEV