



**NORTHERN ARCHITECTS**  
 207 KING STREET  
 SUITE 3  
 BURLINGTON, VERMONT  
 05401-4502  
 802-658-1953

CONSULTANTS  
 CIVIL  
 KREBS AND LANGS  
 10 Main Street  
 Colchester VT 05446  
 (802)-878-0875  
 LANDSCAPE ARCHITECT  
**OHKW**  
 1 Marble Ave.  
 Burlington VT 05401  
 (802)-864-0010  
 STRUCTURAL  
 RICHARD W. DOHERTY, P.E.  
 117 St. Paul Street  
 Burlington VT 05401  
 (802)-660-4212  
 PLUMBING, MECHANICAL,  
 AND ELECTRICAL  
 DUFRESNE AND HENRY  
 Precision Park  
 North Springfield VT 05550-0024  
 (802)-886-2261

REVISIONS

PROJECT

**DERBY WELCOME CENTER**  
 PROJECT #101-318)

NEW FACILITY

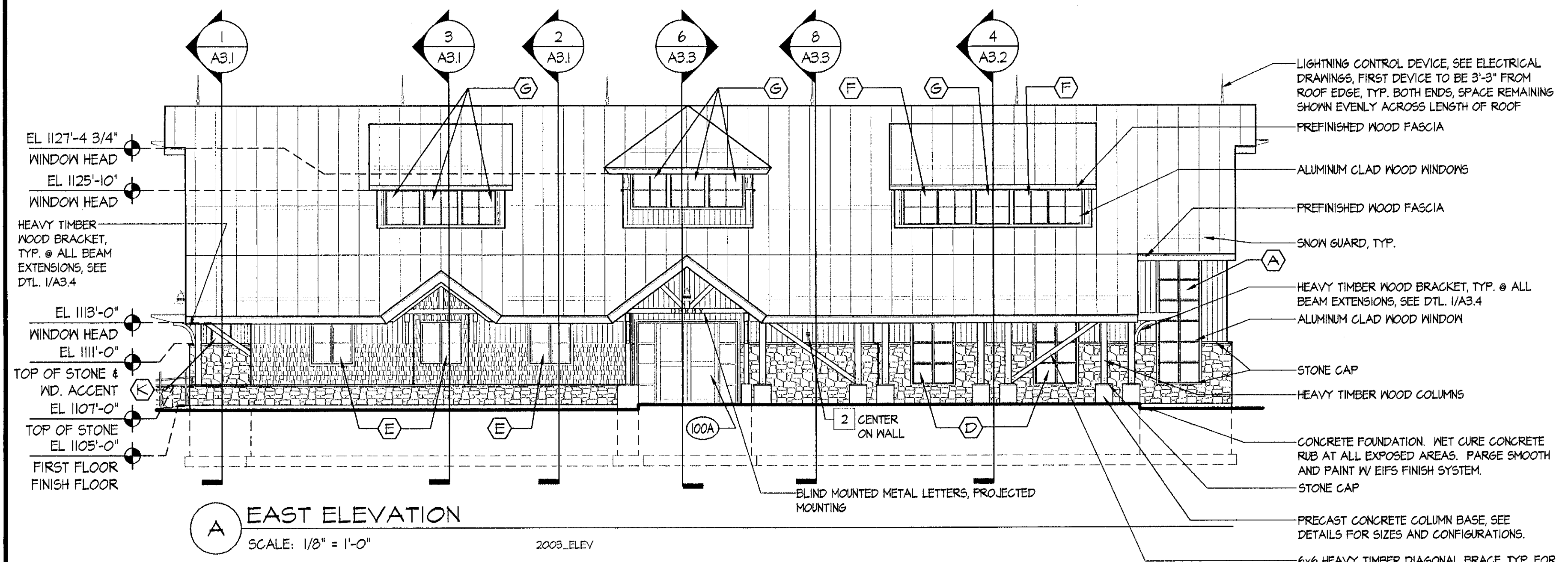
DERBY VERMONT

DATE: 01/07/2002  
 SCALE: AS NOTED  
 CHECKED: HS  
 PROJECT NO: 2003

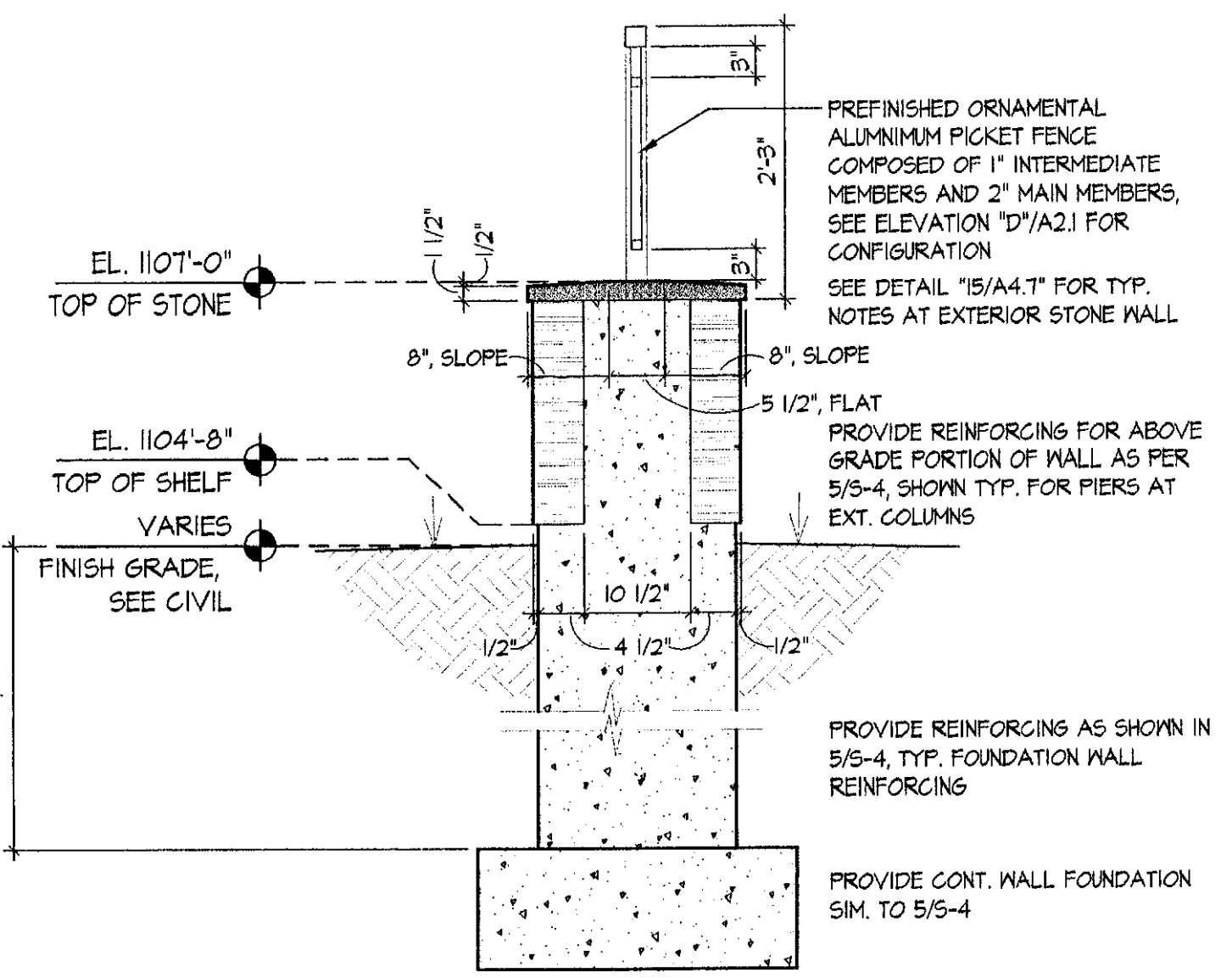
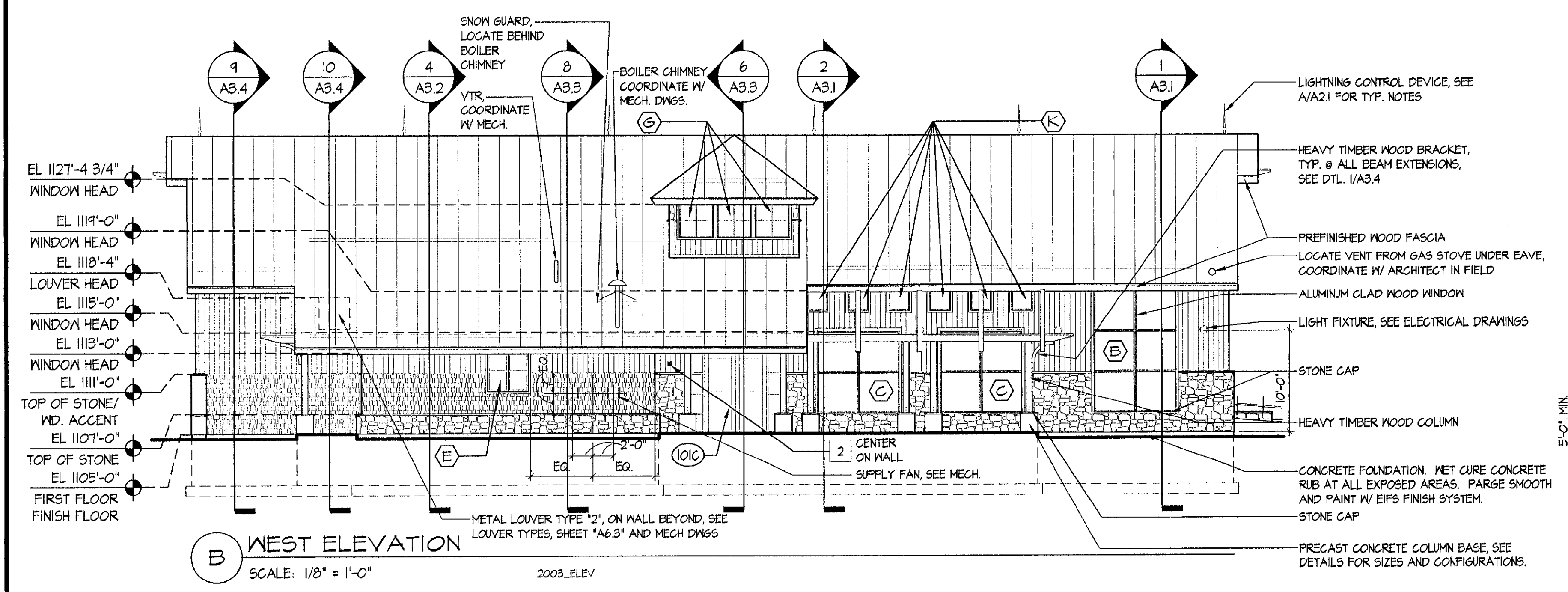
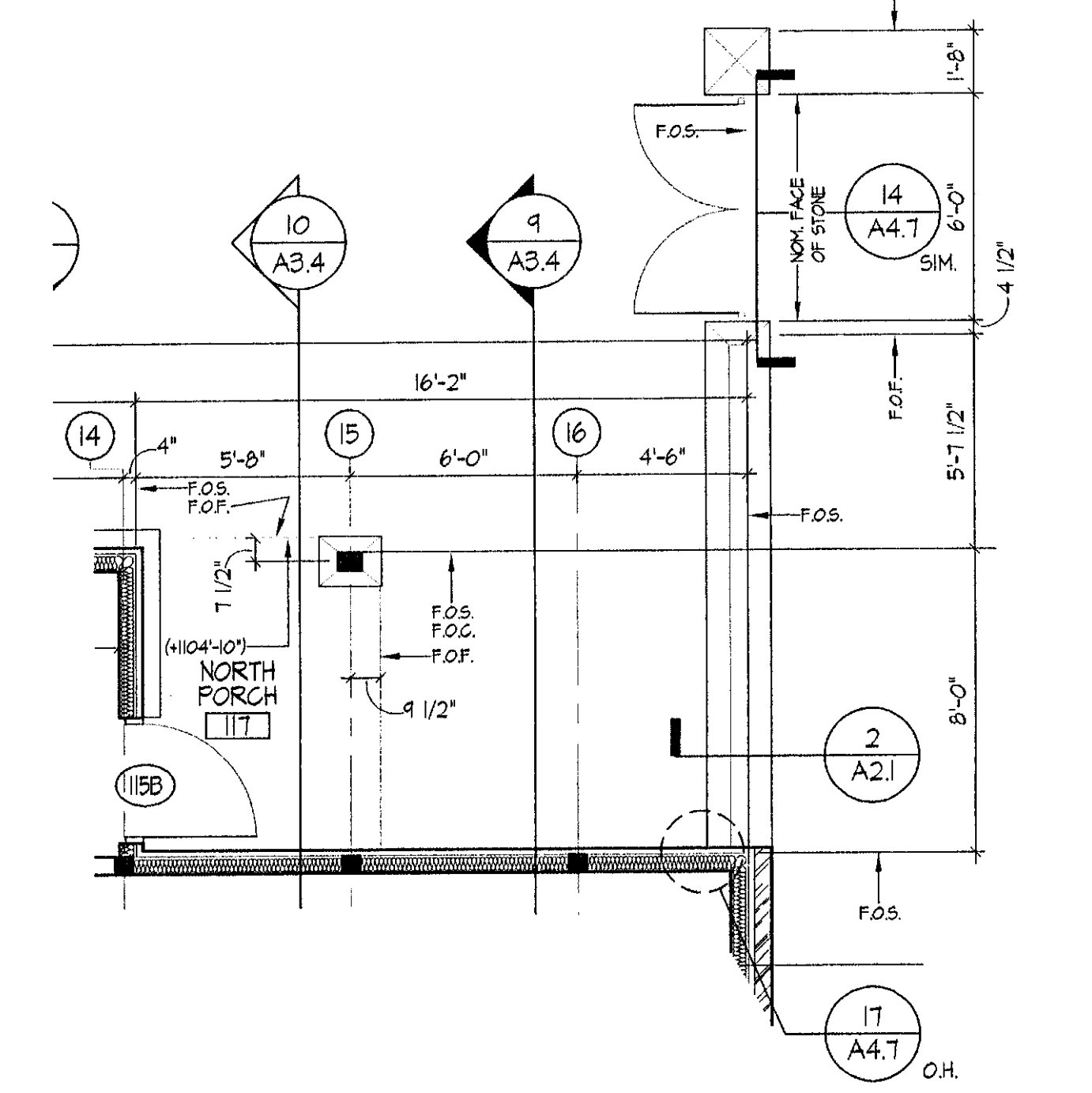
**WELCOME CENTER BUILDING ELEVATIONS**

**A2.1**

© NORTHERN ARCHITECTS, INC. ALL RIGHTS RESERVED 2002.



- ELEVATION LEGEND**
- VERTICAL WOOD SIDING, SEE SPECIFICATIONS FOR SPECIES, SIZE, AND FINISH. COLOR TO MATCH OLYMPIC STAINS "PENTER", CAPE COD WOOD SIDING #20025
  - WOOD SHINGLES, SEE SPECIFICATIONS FOR SIZE, AND FINISH. N COLOR TO MATCH OLYMPIC STAINS "WINNING RED"
  - STONE VENEER, SEE SPECIFICATIONS FOR TYPE, SIZE, AND FINISH
  - METAL STANDING SEAM ROOF, TO MATCH ENGLERT "PRE-WEATHERED GALVALUME". SEE SPECIFICATIONS FOR TYPE, SIZE, AND FINISH



- 1 FIRE ALARM VISUAL SIGNAL PER ELEC. DWGS. MOUNT SO BOTTOM OF STROBE LIGHT IS 6'-8" AFF IN LOCATION SHOWN. PROVIDE CAGE IN EXTERIOR LOCATIONS.
- 2 FIRE ALARM COMBINED AUDIO/VISUAL SIGNAL PER ELEC. DWGS. MOUNT SO BOTTOM OF STROBE LIGHT IS 6'-8" AFF IN LOCATION SHOWN. PROVIDE CAGE AT EXTERIOR LOCATIONS
- 3 SECURITY CAMERA PER ELEC. DRAWINGS.
- 4 TEL/DATA OUTLET PER ELEC. DRAWINGS. MOUNT AT 18" AFF AT LOCATION SHOWN.
- 5 DUPLEX CONVENIENCE OUTLET PER ELEC. DRAWINGS. MOUNT AT 18" AFF AT LOCATION SHOWN.
- 6 WALL-MOUNTED EXIT SIGN PER ELEC. DRAWINGS. MOUNT AT 8'-4" AFF
- 7 FIRE ALARM MANUAL PULL STATION PER ELEC. DRAWINGS
- 8 ELECTRONIC COUNTER PER ELEC. DRAWINGS
- 9 ELECTRONIC COUNTER REFLECTOR PER ELEC. DRAWINGS

