

**NORTHERN ARCHITECTS**  
 207 KING STREET  
 SUITE 3  
 BURLINGTON, VERMONT  
 05401-4502  
 802-658-1953

CONSULTANTS  
 CIVIL  
**KREBS AND LANSING**  
 Main Street  
 Colchester VT 05446  
 (802) 878-0315  
 LANDSCAPE ARCHITECT  
**OHKW**  
 1 Marble Ave.  
 Burlington VT 05401  
 (802) 864-0010  
 STRUCTURAL  
 Richard M. Doherty  
 17 St. Paul Street  
 Burlington VT 05401  
 (802) 860-9212  
 PLUMBING, MECHANICAL  
 AND ELECTRICAL  
**DURRENE AND HENRY**  
 Precision Park  
 North Springfield VT 05505-0079  
 (802) 886-2261

REVISIONS

PROJECT  
**DERBY WELCOME CENTER**  
 PROJECT #10 001-3(8)  
 NEW FACILITY

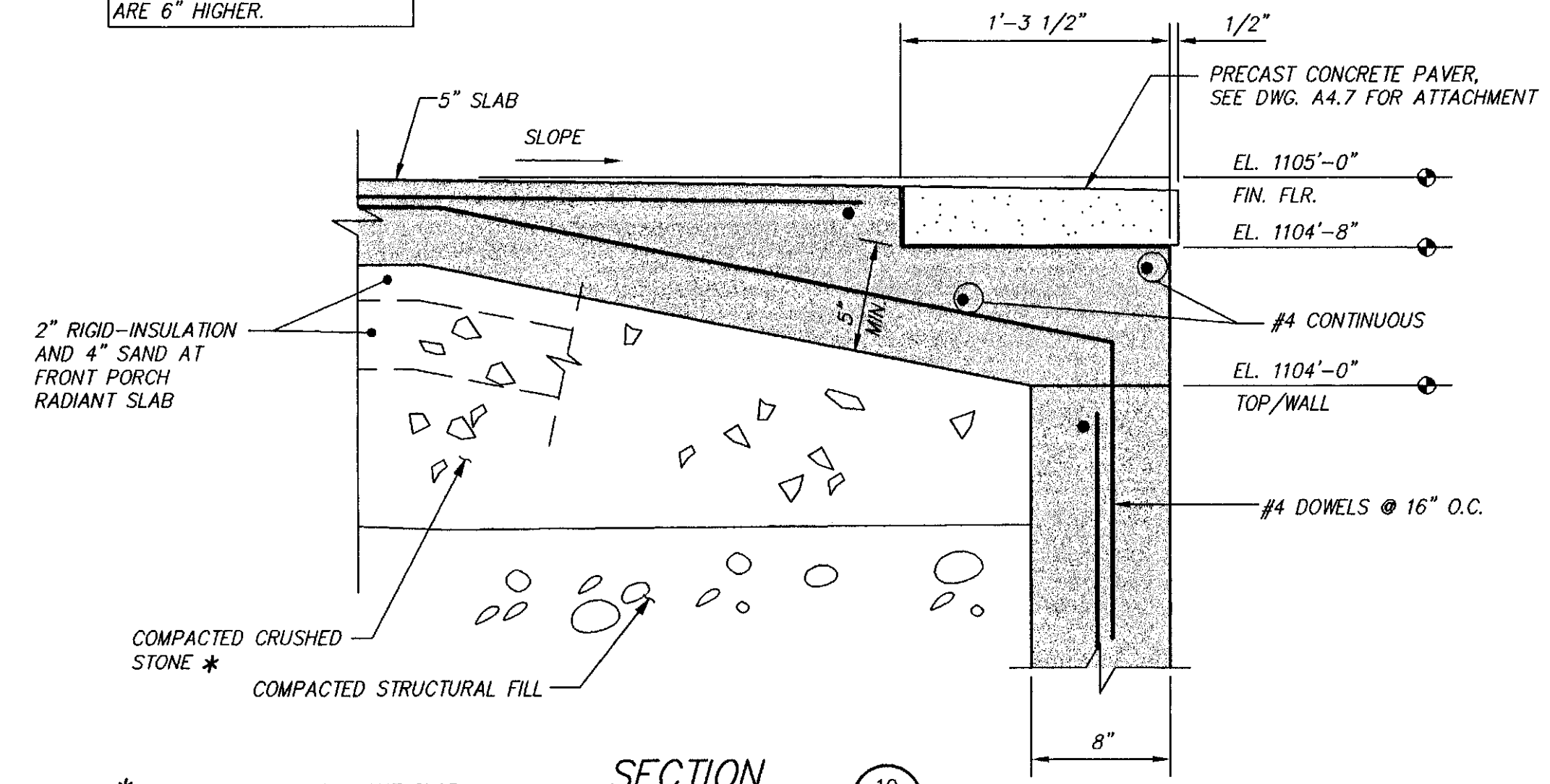
DERBY VERMONT

DATE: 01/07/2002  
 SCALE: AS NOTED  
 CHECKED: RMD  
 PROJECT NO: 2003

**STRUCTURAL DETAILS**

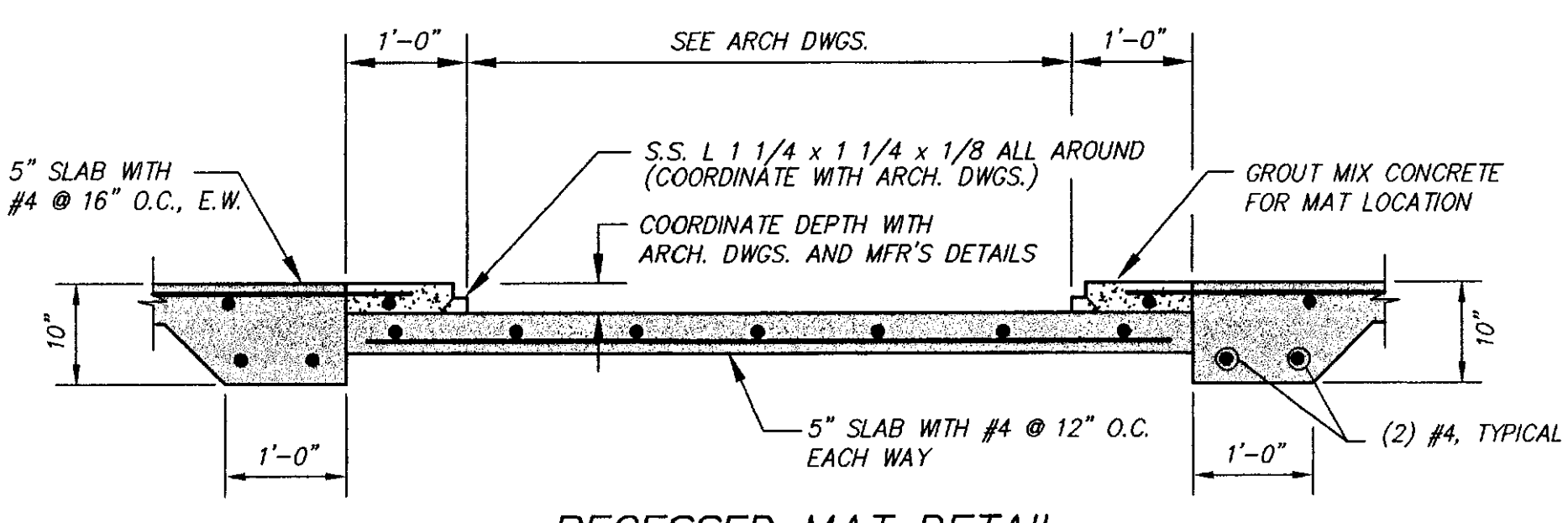
**S-7**

USE SAME DETAIL AT PICNIC PAVILION, EXCEPT ELEVATIONS ARE 6" HIGHER.

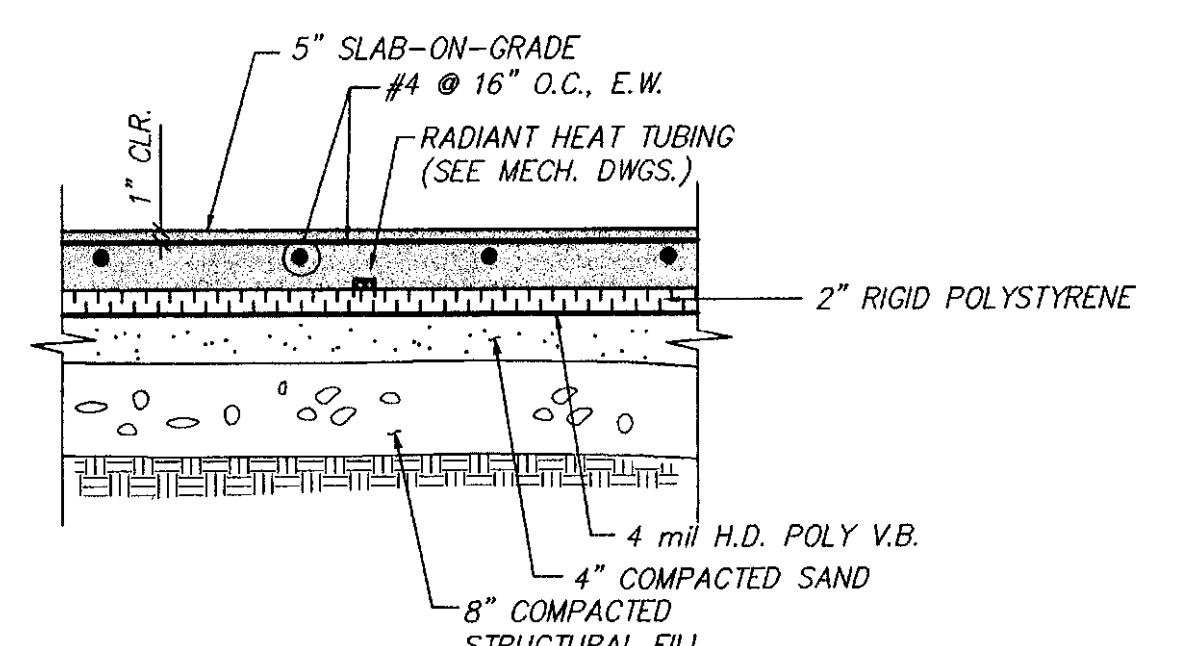


**SECTION 10**  
 SCALE: 1 1/2" = 1'-0"

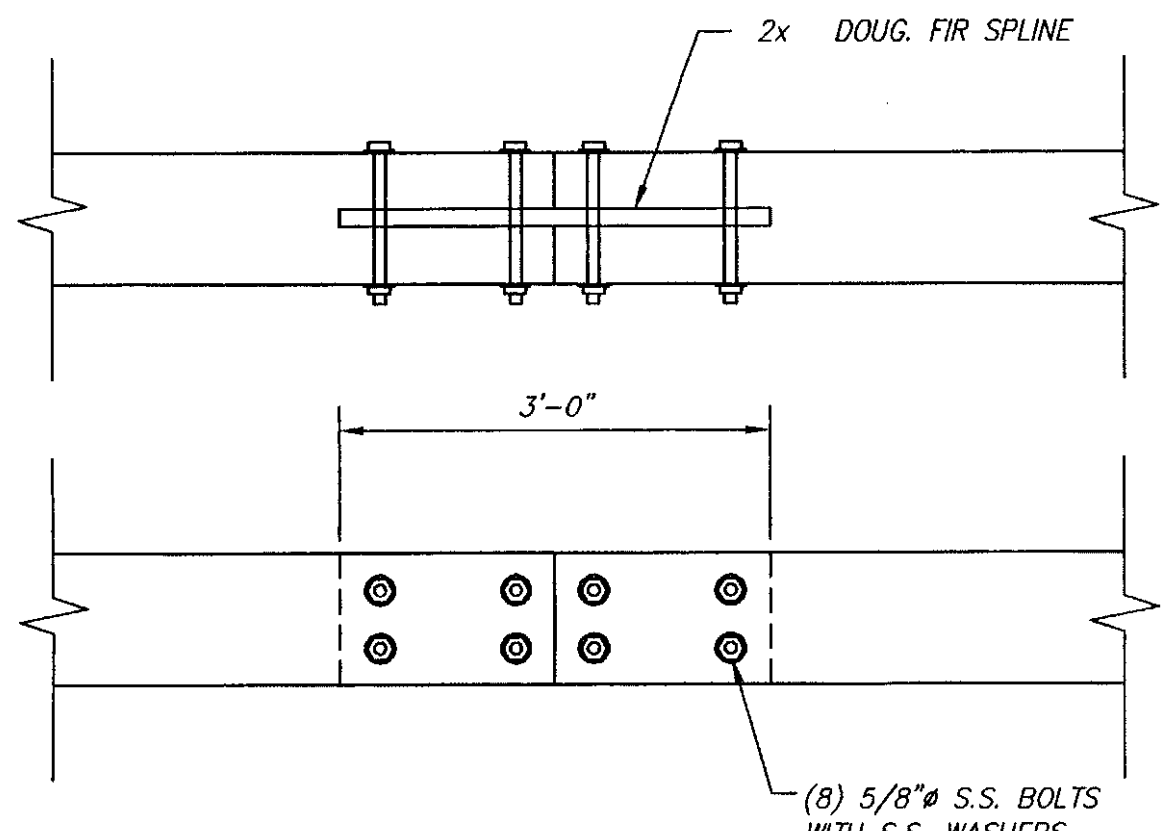
\* AT FRONT PORCH RADIANT SLAB, SUBSTITUTE 4" SAND AND COMPACTED STRUCTURAL FILL



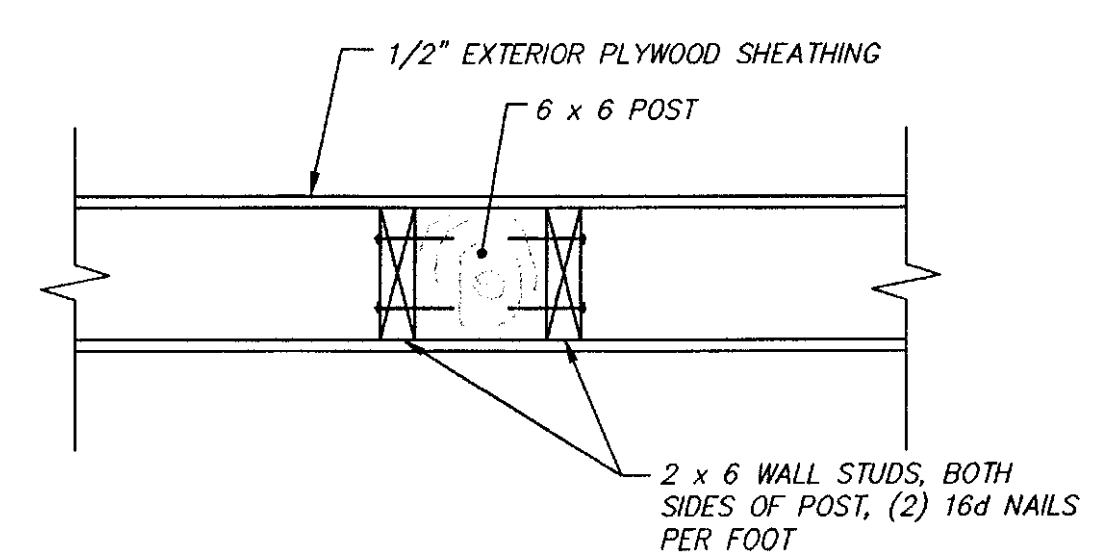
**RECESSED MAT DETAIL**  
 SCALE: 3/4" = 1'-0"



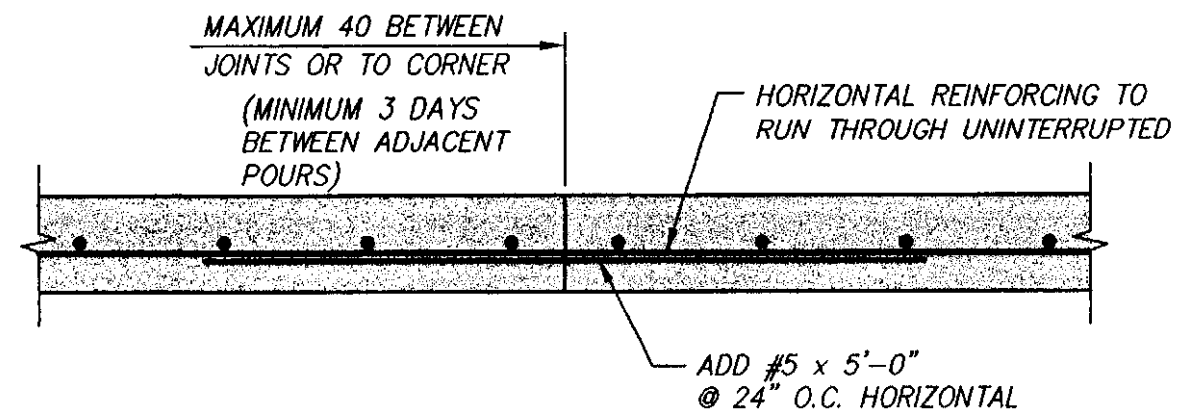
**DETAIL - SLAB-ON-GRADE**  
 SCALE: 3/4" = 1'-0"



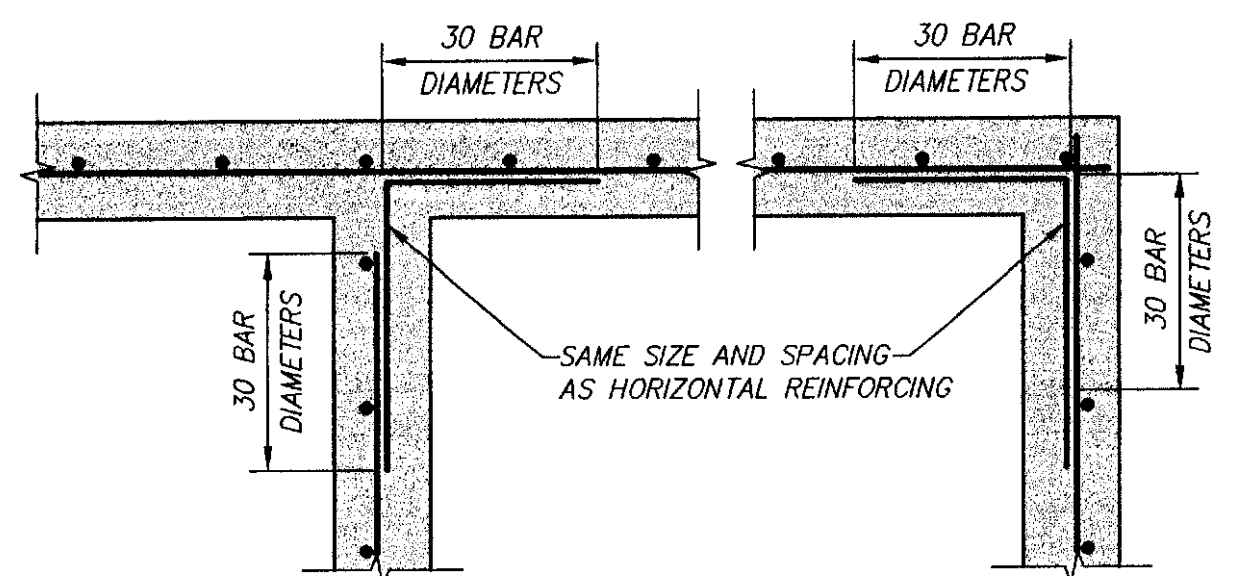
**TIMBER BEAM SPLICE DETAIL**  
 SCALE: 3/4" = 1'-0"



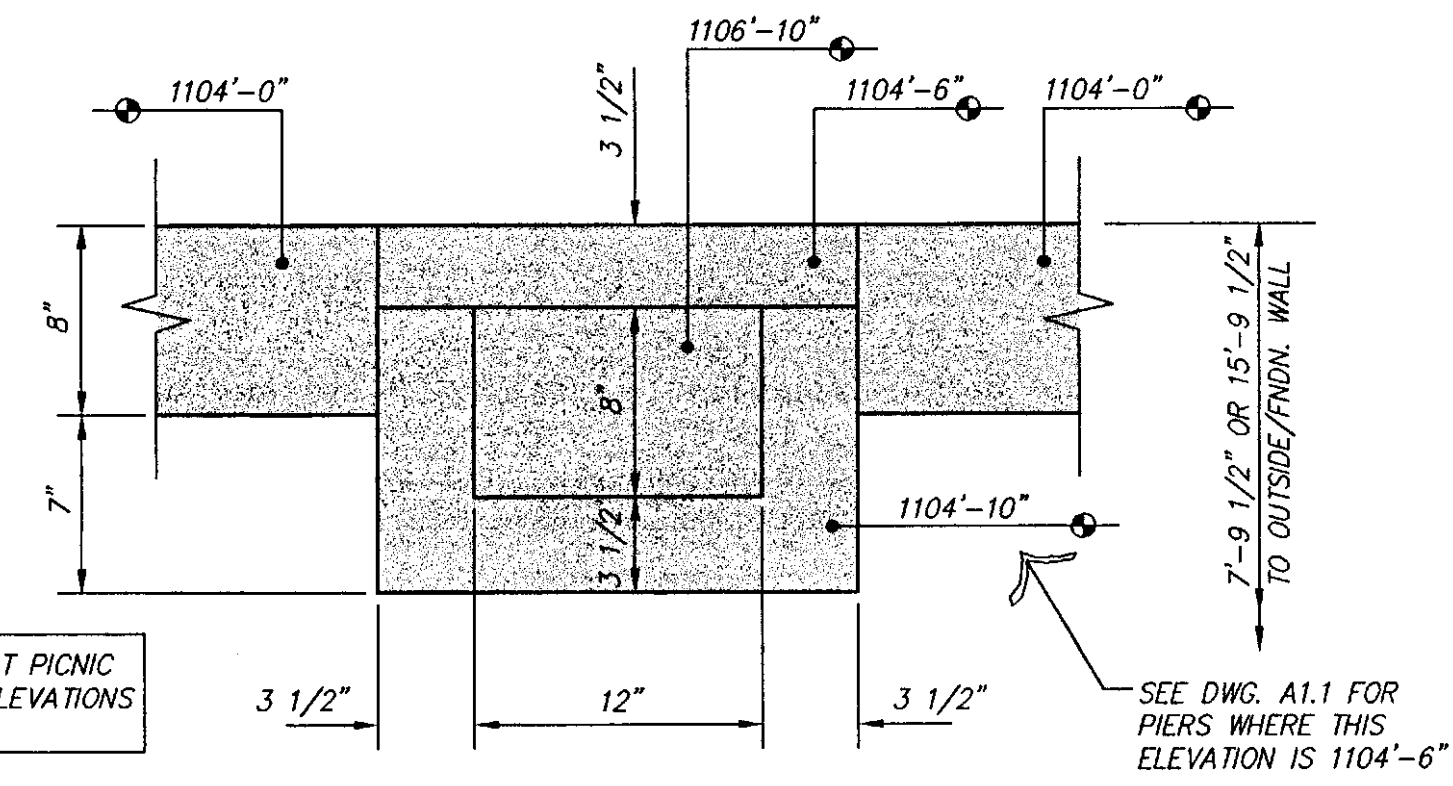
**POST DETAIL - TRUSS "A" SUPPORTS**  
 SCALE: 1 1/2" = 1'-0"



**WALL CONSTRUCTION JOINT**  
 N.T.S.



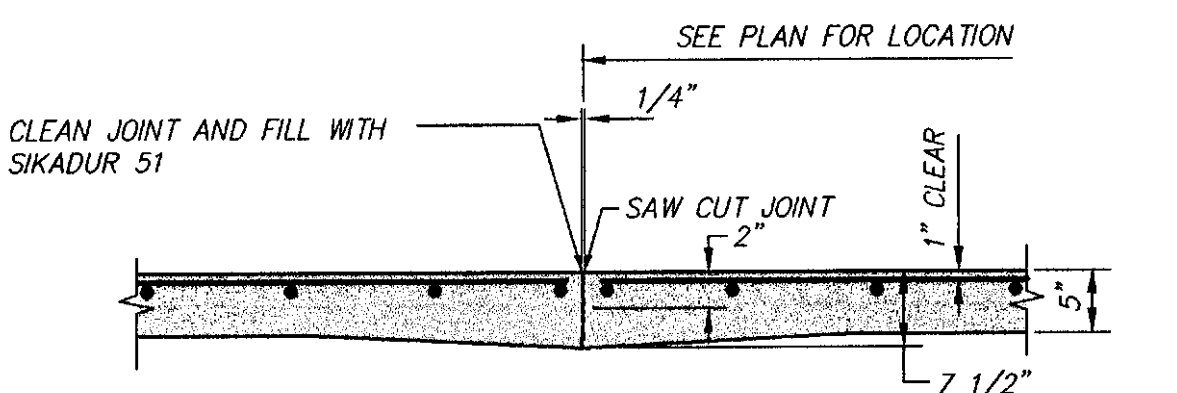
**WALL REINFORCING DETAILS**  
 N.T.S.



USE SAME DETAIL AT PICNIC PAVILION, EXCEPT ELEVATIONS ARE 6" HIGHER.

SEE DWG. A1.1 FOR PIERS WHERE THIS ELEVATION IS 1104'-6"

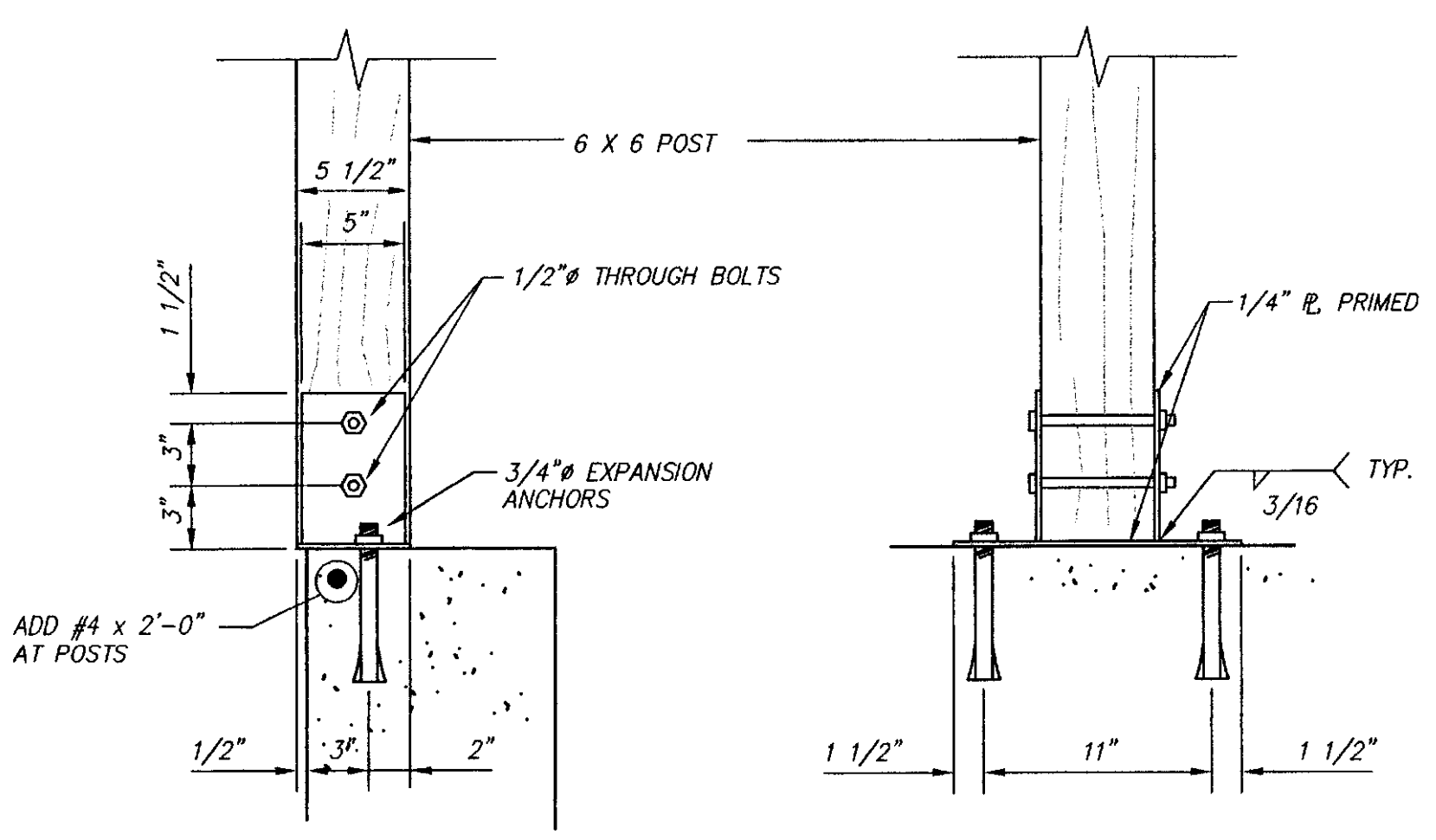
**DETAIL A**  
 SCALE: 1 1/2" = 1'-0"



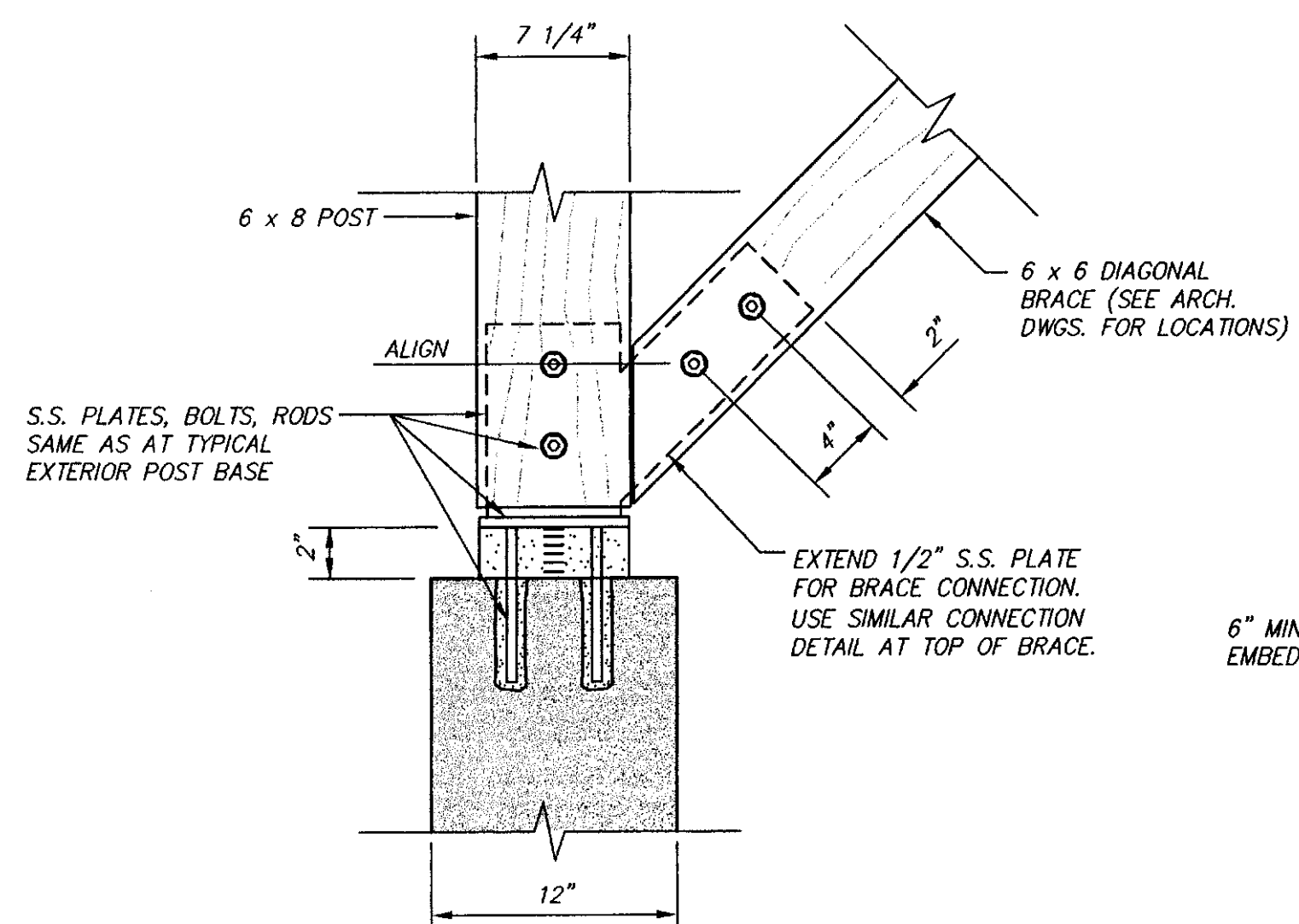
**SLAB-ON-GRADE SAWCUT CONTROL JOINT**  
 N.T.S.

- NOTES:
1. DETAILS SIMILAR TO SLAB-ON-GRADE CONSTRUCTION JOINT UNLESS NOTED OTHERWISE.
  2. IT IS IMPORTANT TO SAWCUT THE SLAB AS SOON AS IT CAN BE DONE WITHOUT DAMAGING THE SLAB.
  3. DELAY INSTALLATION OF SEALANT UNTIL SLAB IS A MINIMUM OF 45 DAYS OLD.

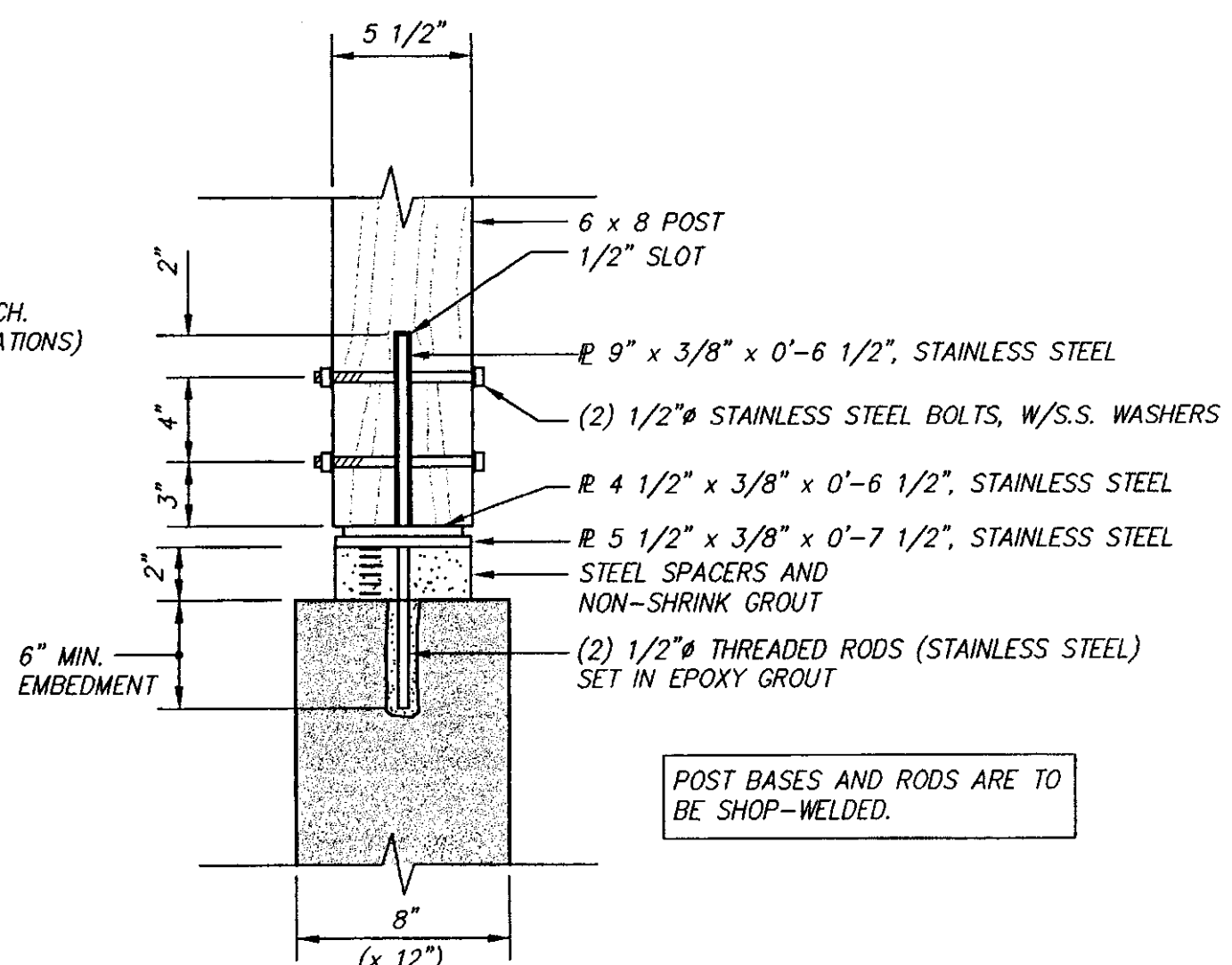
CONTRACTOR NOTE:  
 VERIFY EXACT LOCATIONS OF RADIANT HEAT TUBING AND USE EXTREME CAUTION TO AVOID CUTTING THE TUBING.



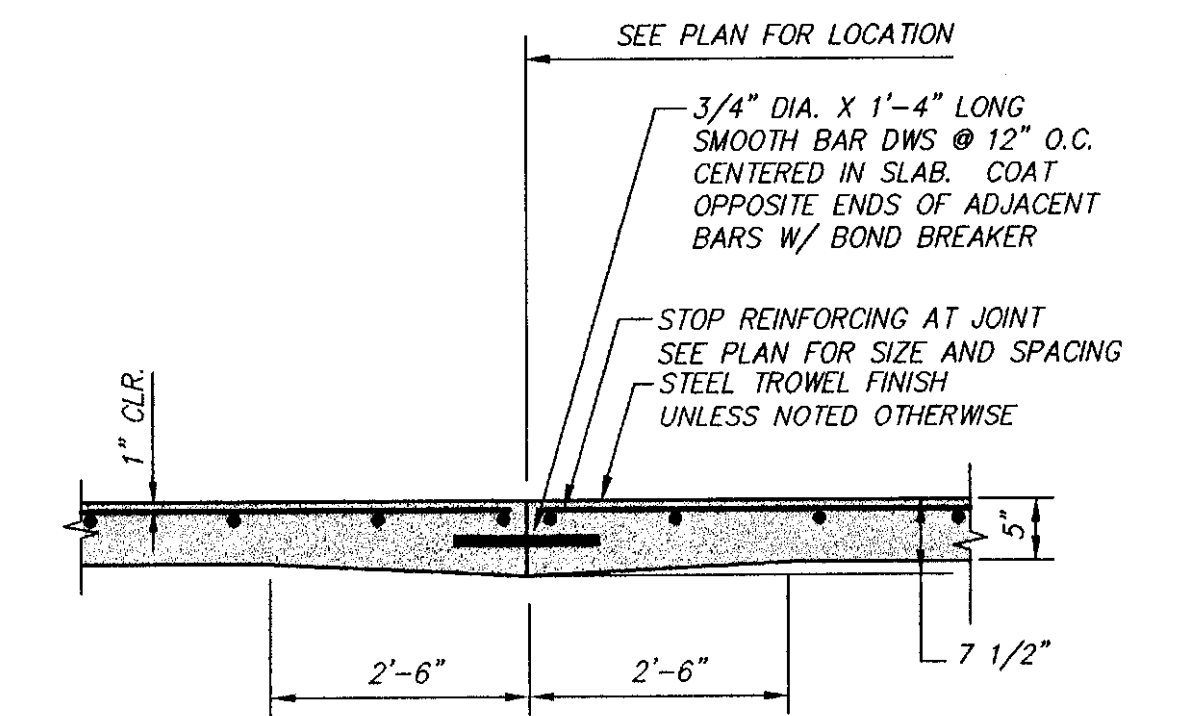
**POST BASE ANCHORS (MAIN BUILDING)**  
 SCALE: 1 1/2" = 1'-0"



**EXTERIOR POST BASE AT BRACE**  
 SCALE: 1 1/2" = 1'-0"



**TYPICAL EXTERIOR POST BASE**  
 SCALE: 1 1/2" = 1'-0"



**SLAB-ON-GRADE CONSTRUCTION JOINT**  
 N.T.S.

C:\PUBS\WORK\VERMONT\137-UMV, 11/29/01 01:05:42