

NORTHERN ARCHITECTS
 207 KING STREET
 SUITE 3
 BURLINGTON, VERMONT
 05401-4502
 802-658-1953

CONSULTANTS
CIVIL
 KREBS AND LANGS
 Main Street
 Colchester VT 05446
 (802) 878-0375
LANDSCAPE ARCHITECT
OHKW
 7 Marble Ave.
 Burlington VT 05401
 (802) 864-0010
STRUCTURAL
 Richard M. Doherty
 111 St. Paul Street
 Burlington VT 05401
 (802) 860-9212
PLUMBING MECHANICAL
AND ELECTRICAL
 DURBANE AND HENRY
 Precision Park
 North Springfield VT 05150-0019
 (802) 886-1261

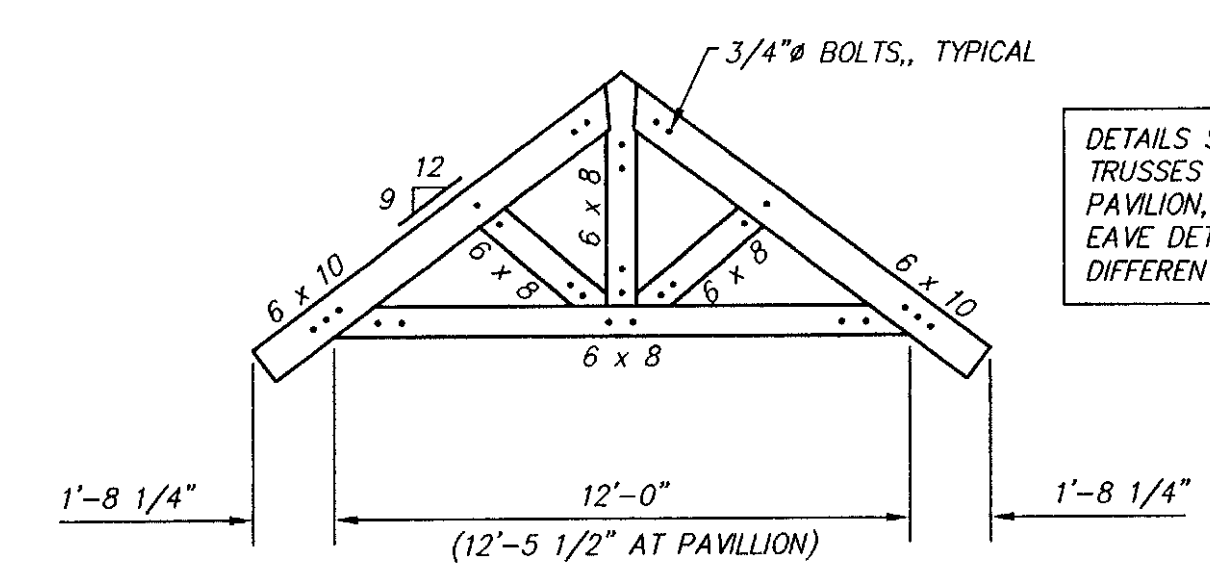
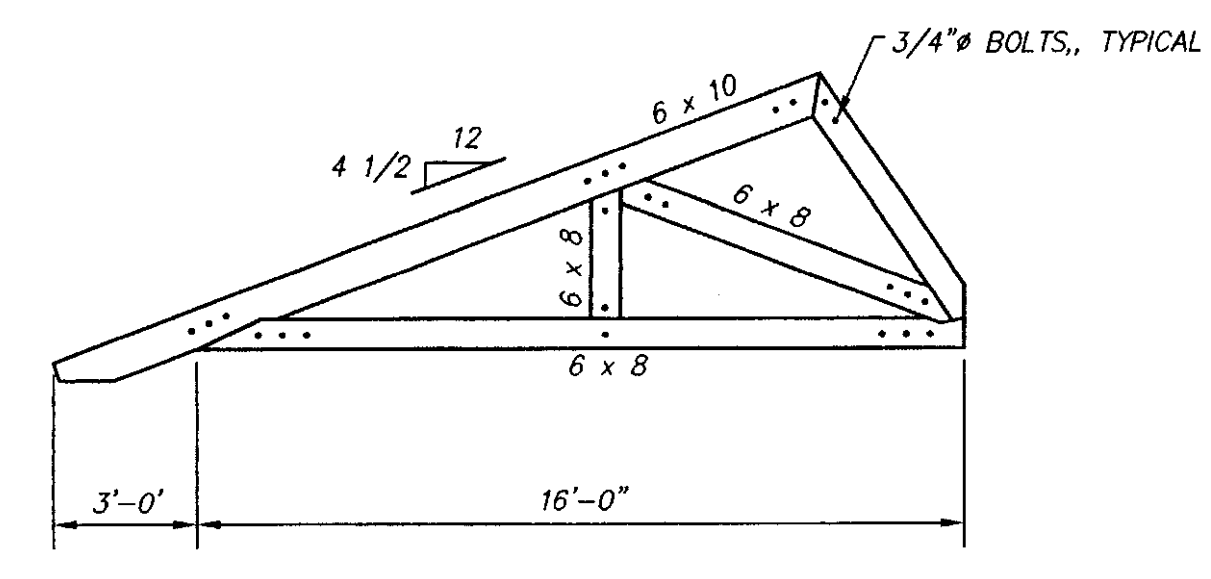
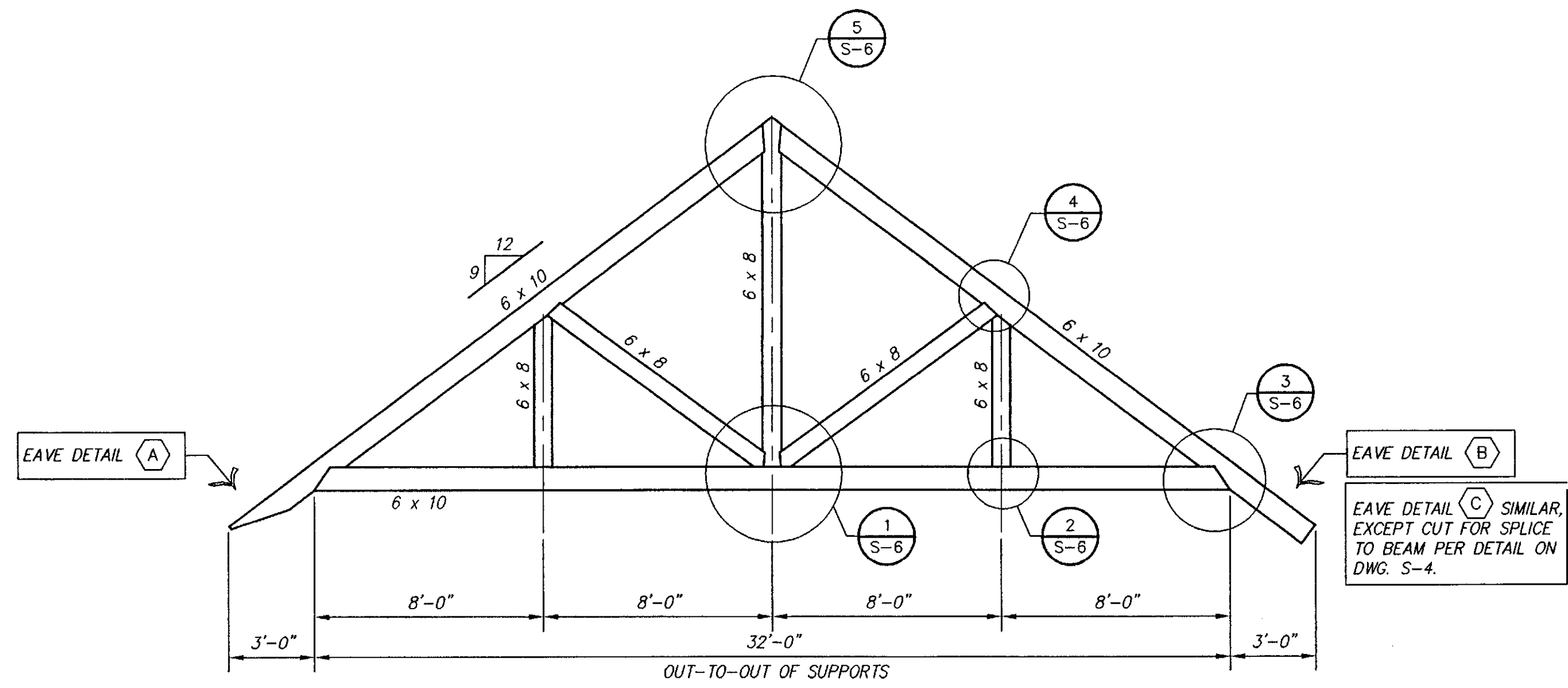
REVISIONS

PROJECT
DERBY WELCOME CENTER
 PROJECT #1M 091-3(8)
 NEW FACILITY
 DERBY VERMONT

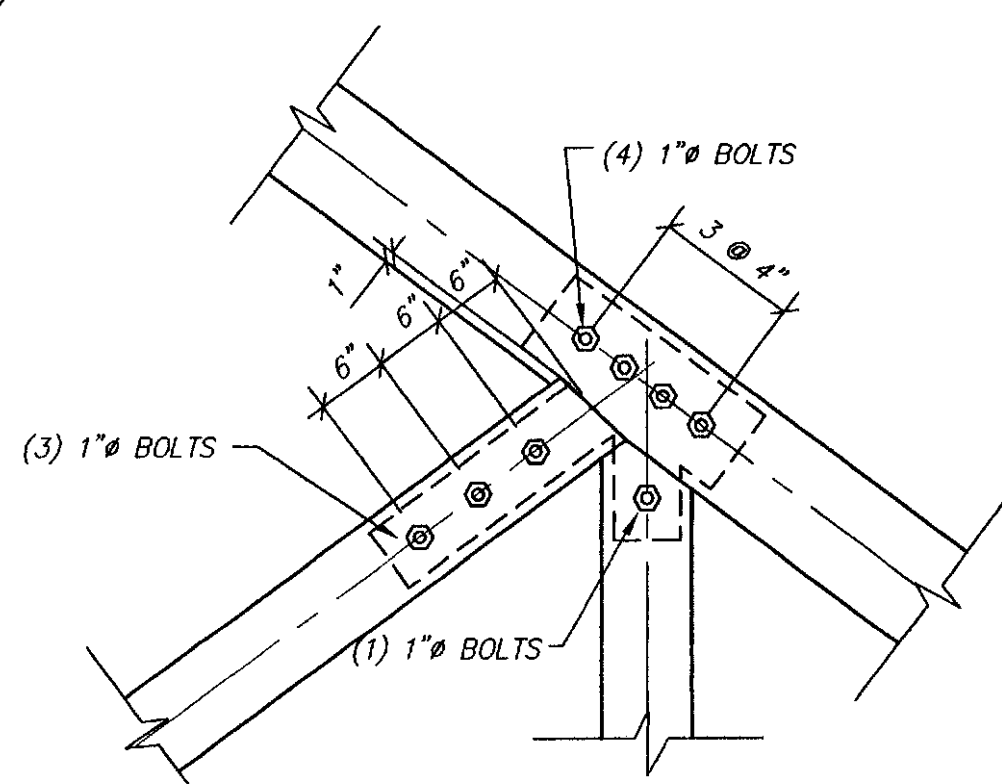
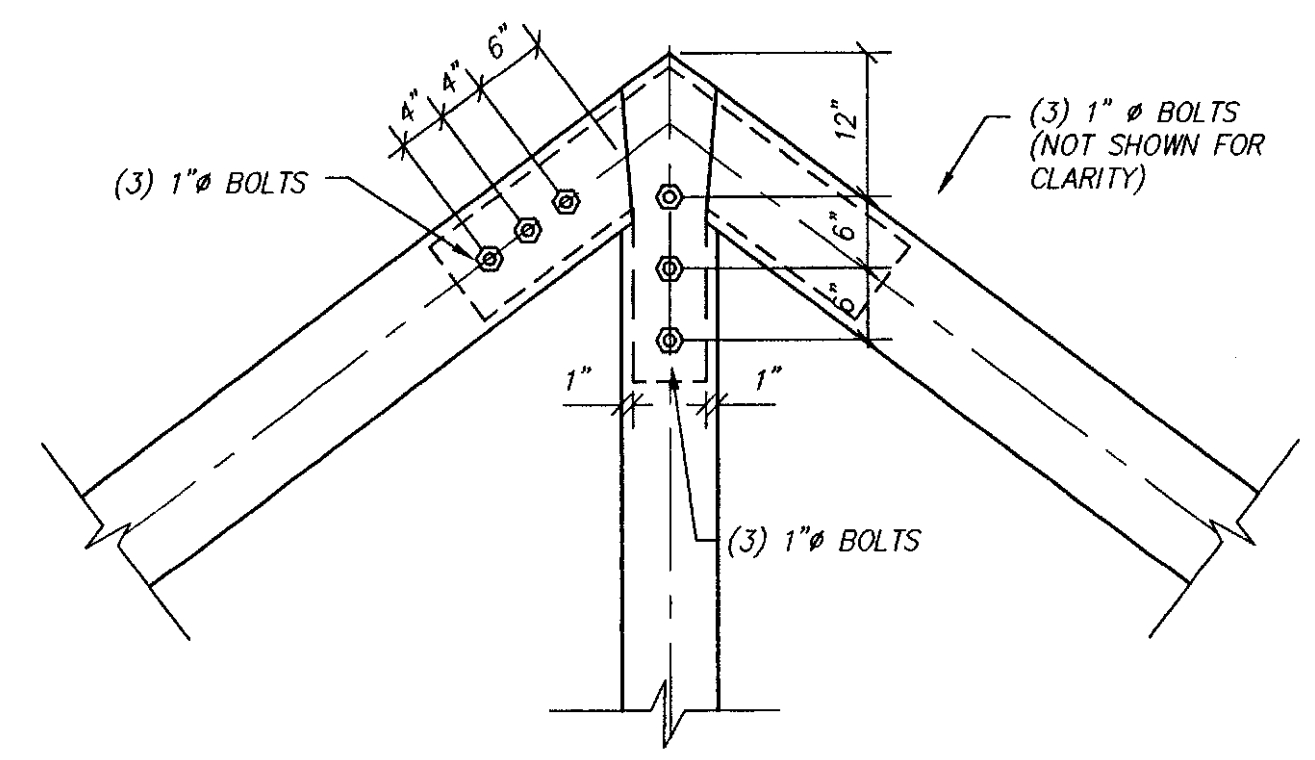
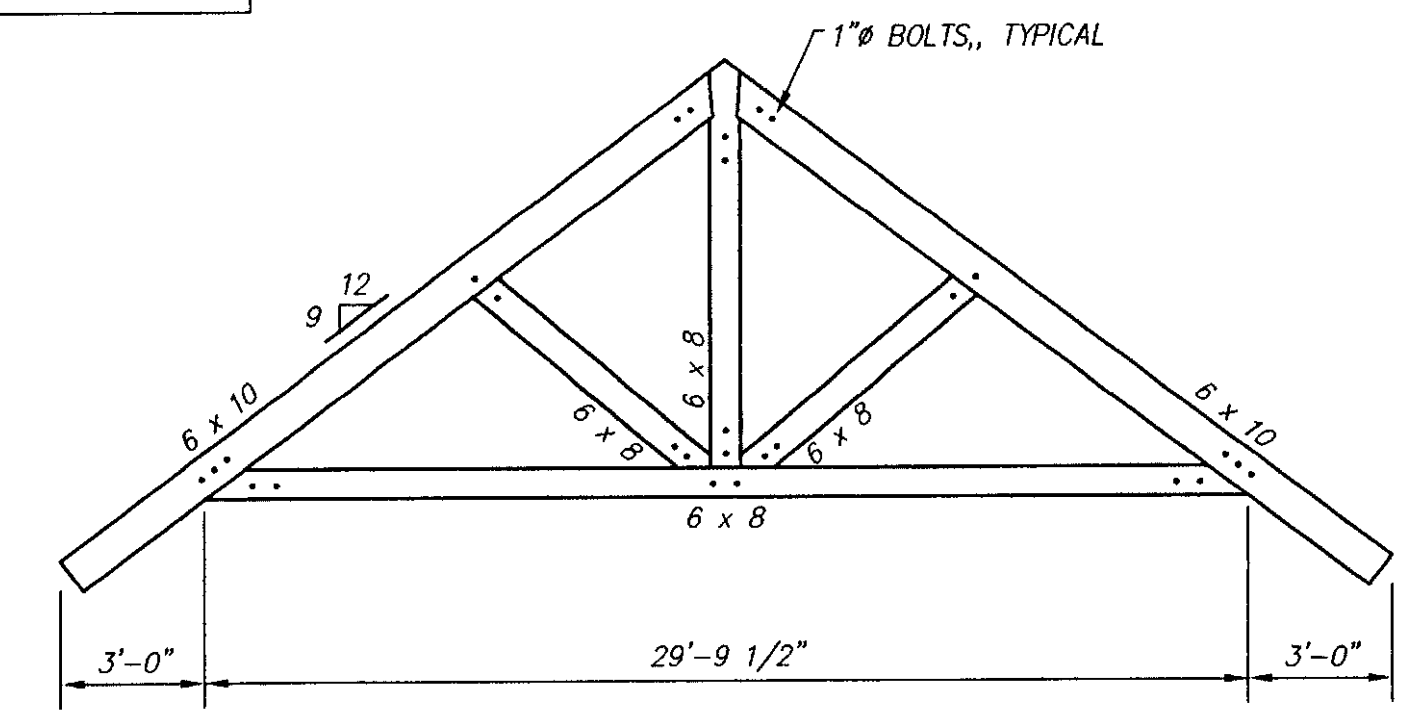
DATE: 01/07/2002
 SCALE: AS NOTED
 CHECKED: RMD
 PROJECT NO: 2003

TIMBER TRUSS DETAILS

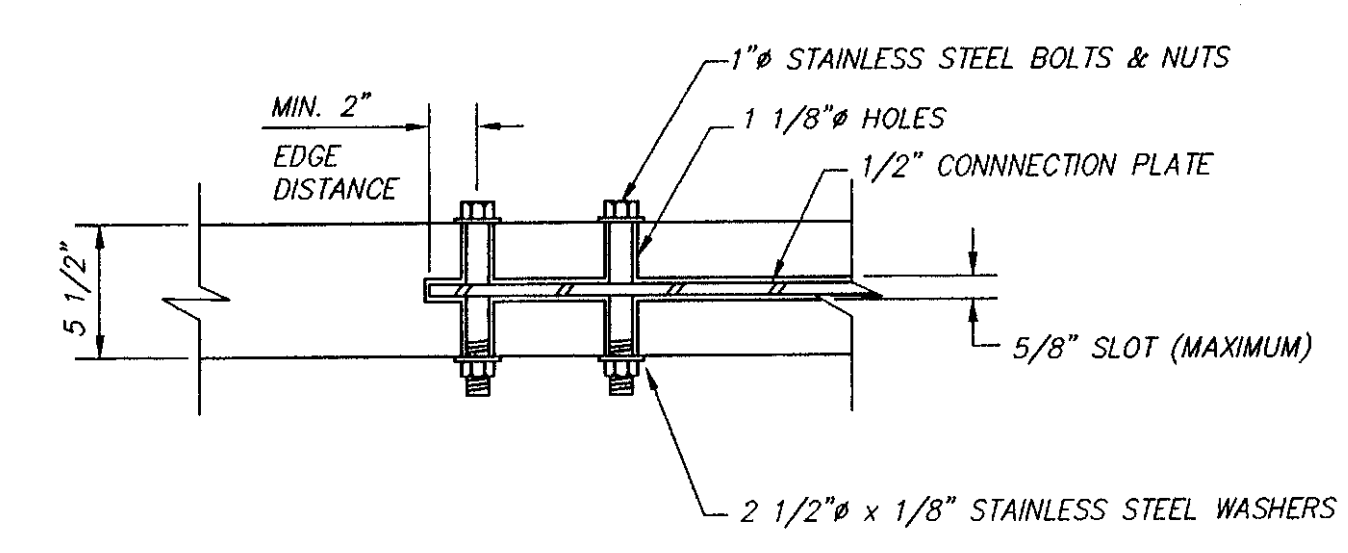
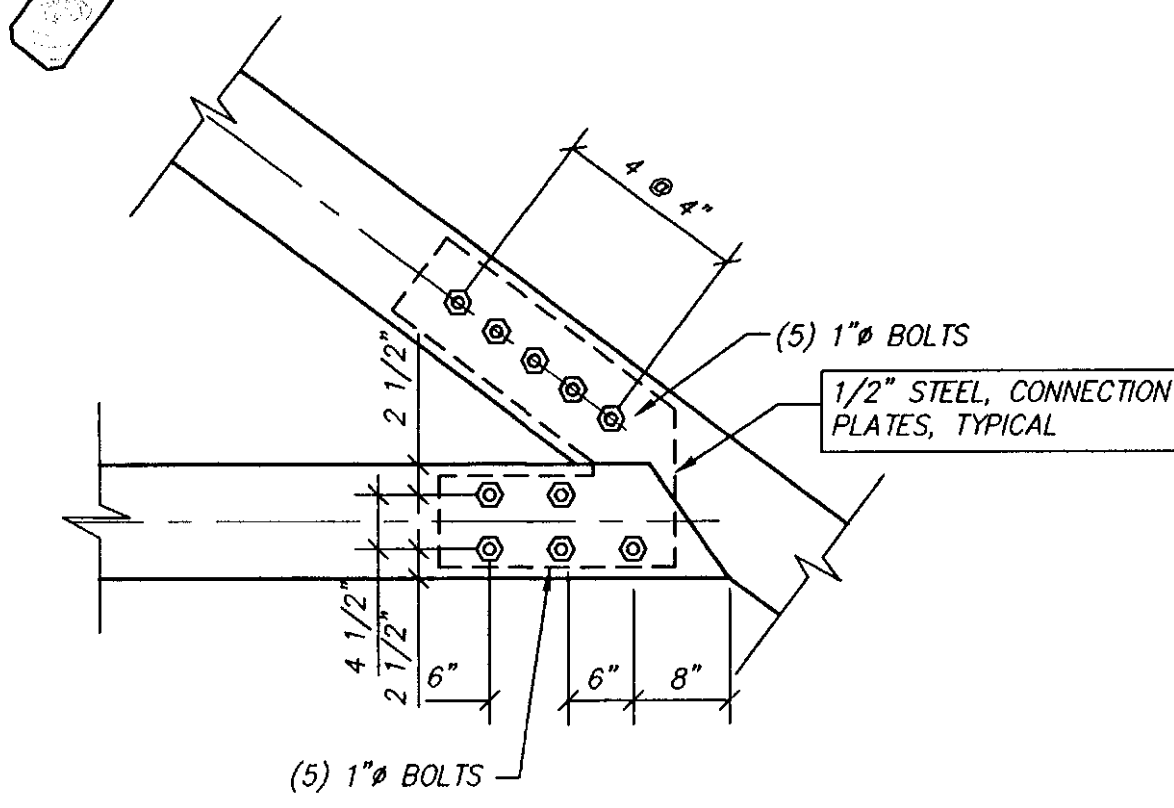
S-6



CONNECTION DETAILS FOR TRUSSES "B", "C" & "D" ARE SIMILAR TO TRUSS "A"

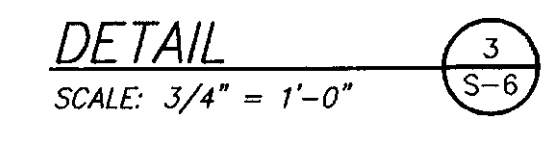
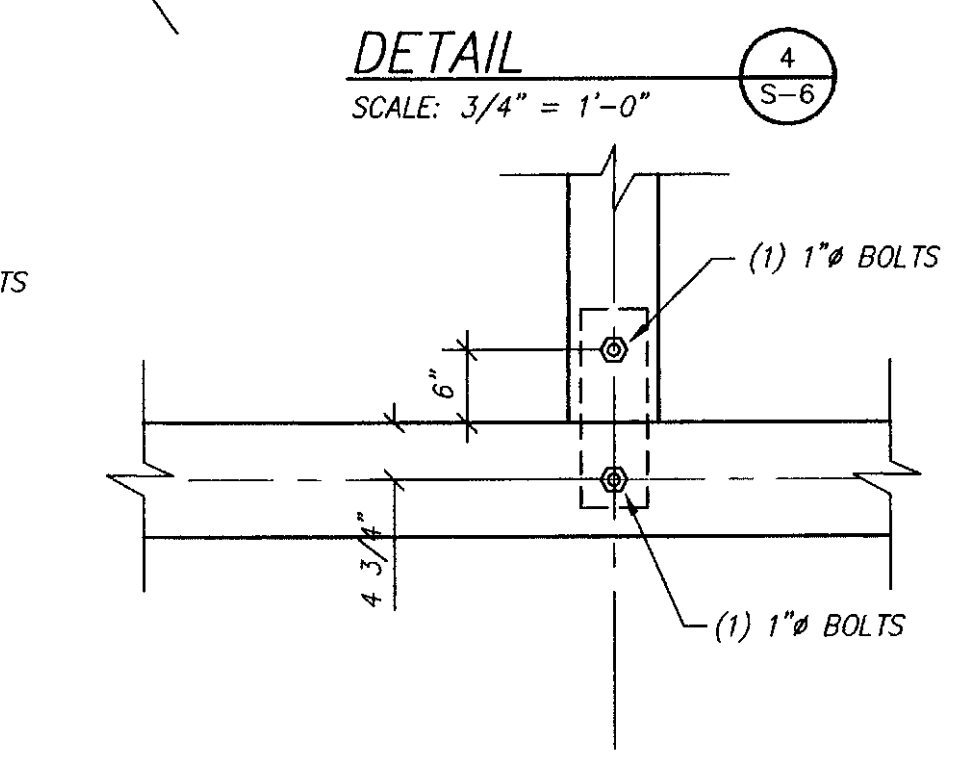
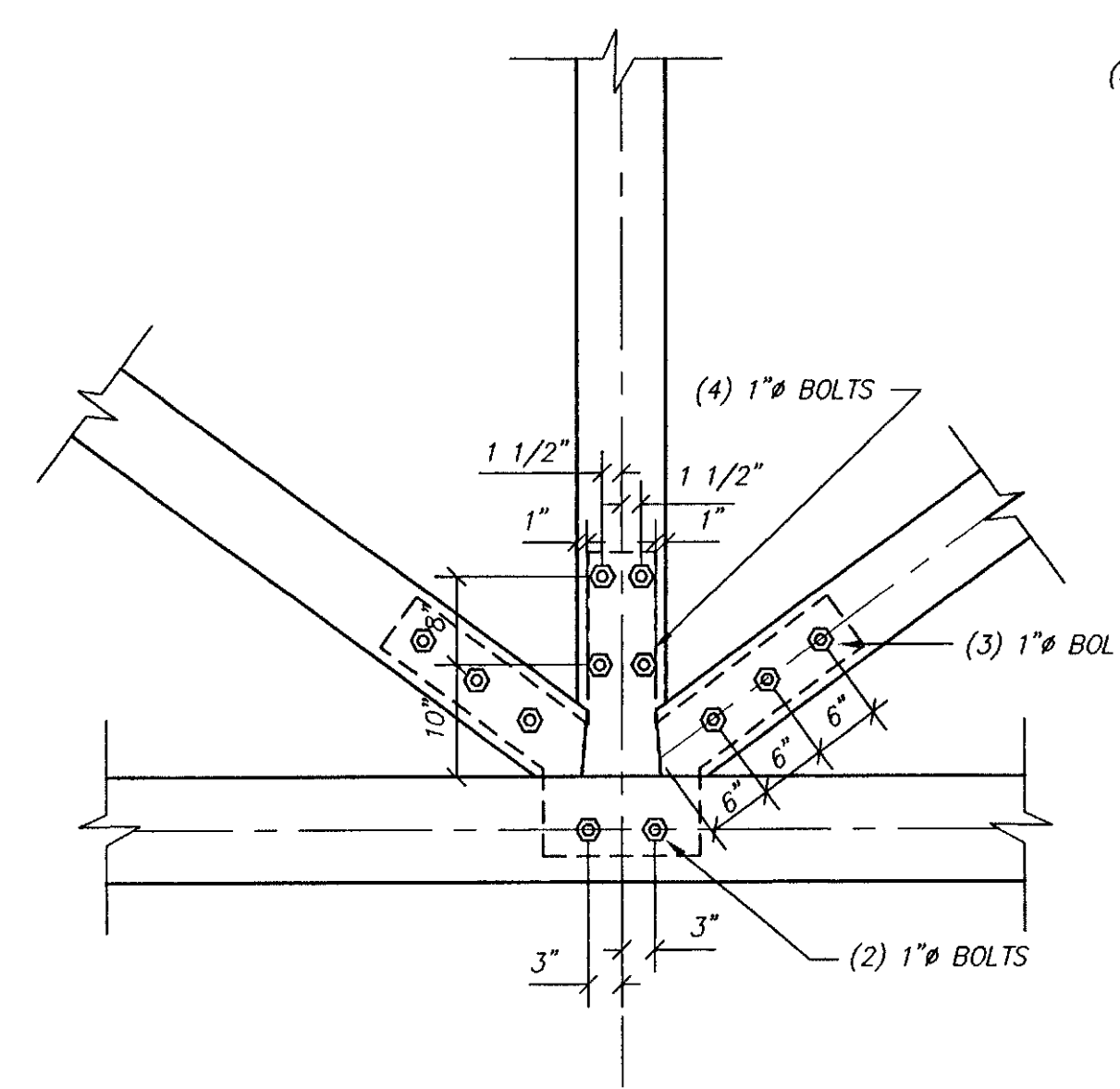


ALL TRUSS MEMBERS SHALL HAVE 3/4" CHAMFER, 4 SIDES. TYPICAL ALL TRUSSES. DELETE CHAMFER AT INTERSECTIONS AND CONNECTIONS.



NOTE: SUBMIT SHOP DRAWINGS FOR TRUSSES AND CONNECTION PLATES.

TIMBER FOR ALL TRUSSES SHALL BE SELECT STRUCTURAL DOUGLAS FIR, S4S.



C:\Users\j\OneDrive\Documents\1076\01.dwg 11/24