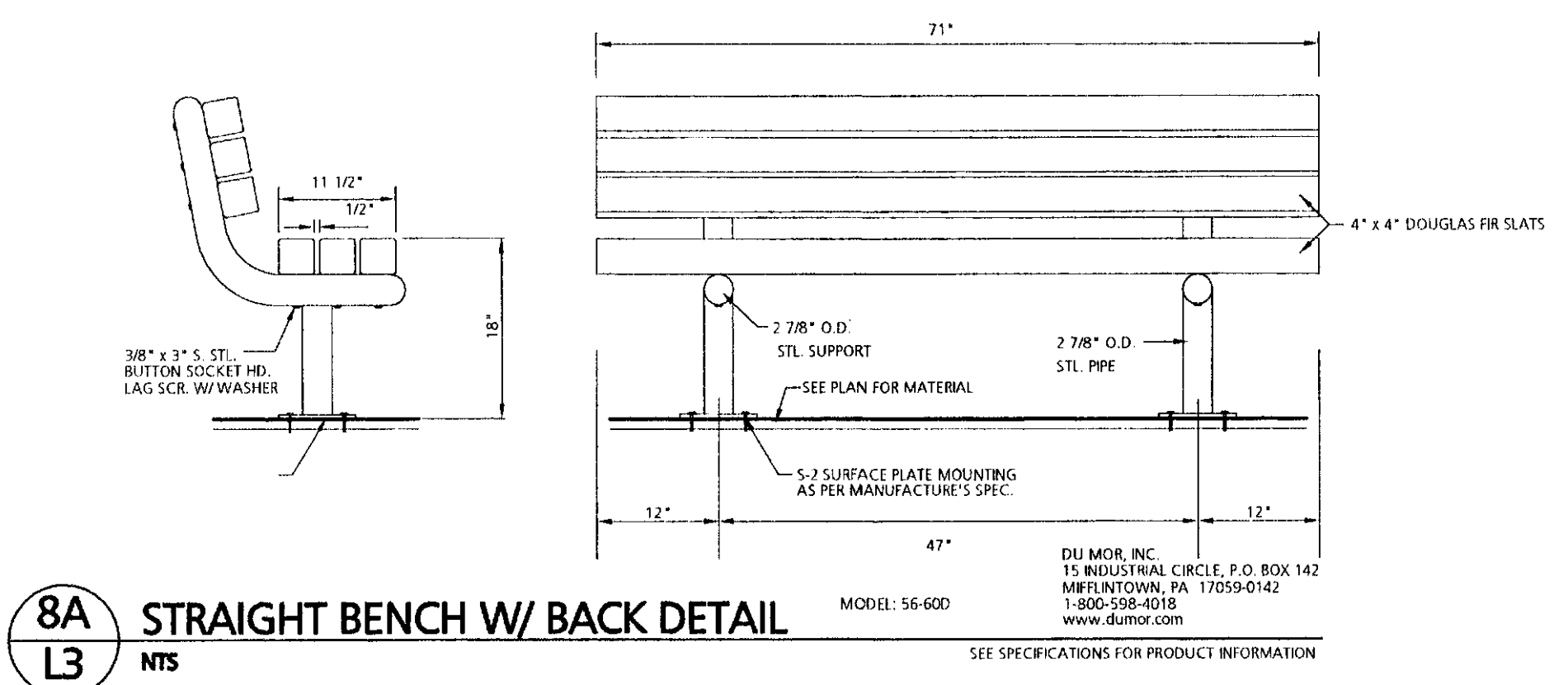
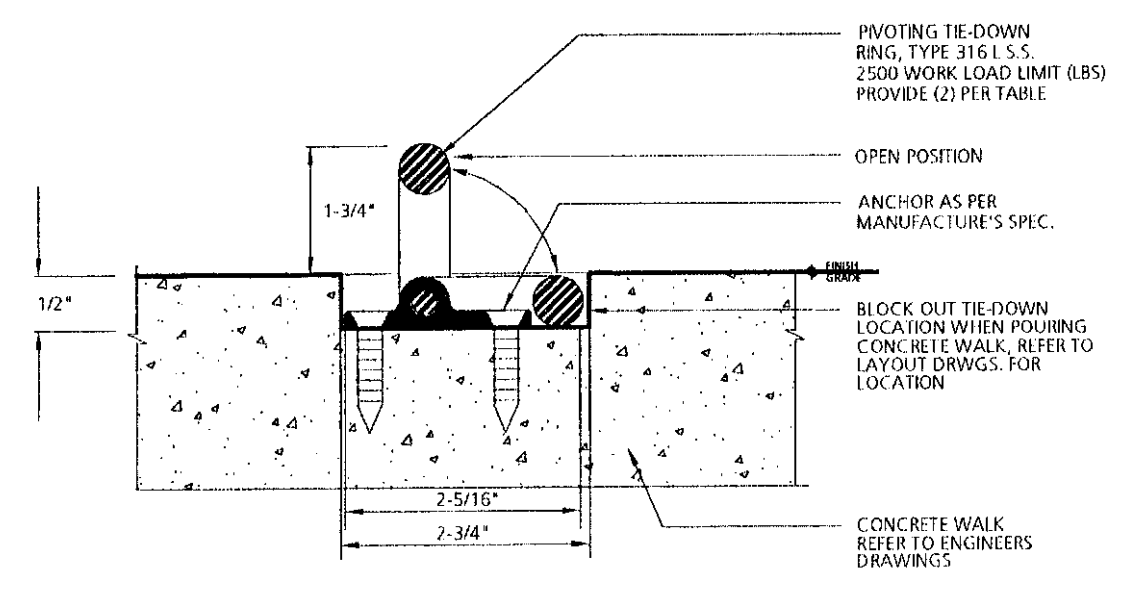


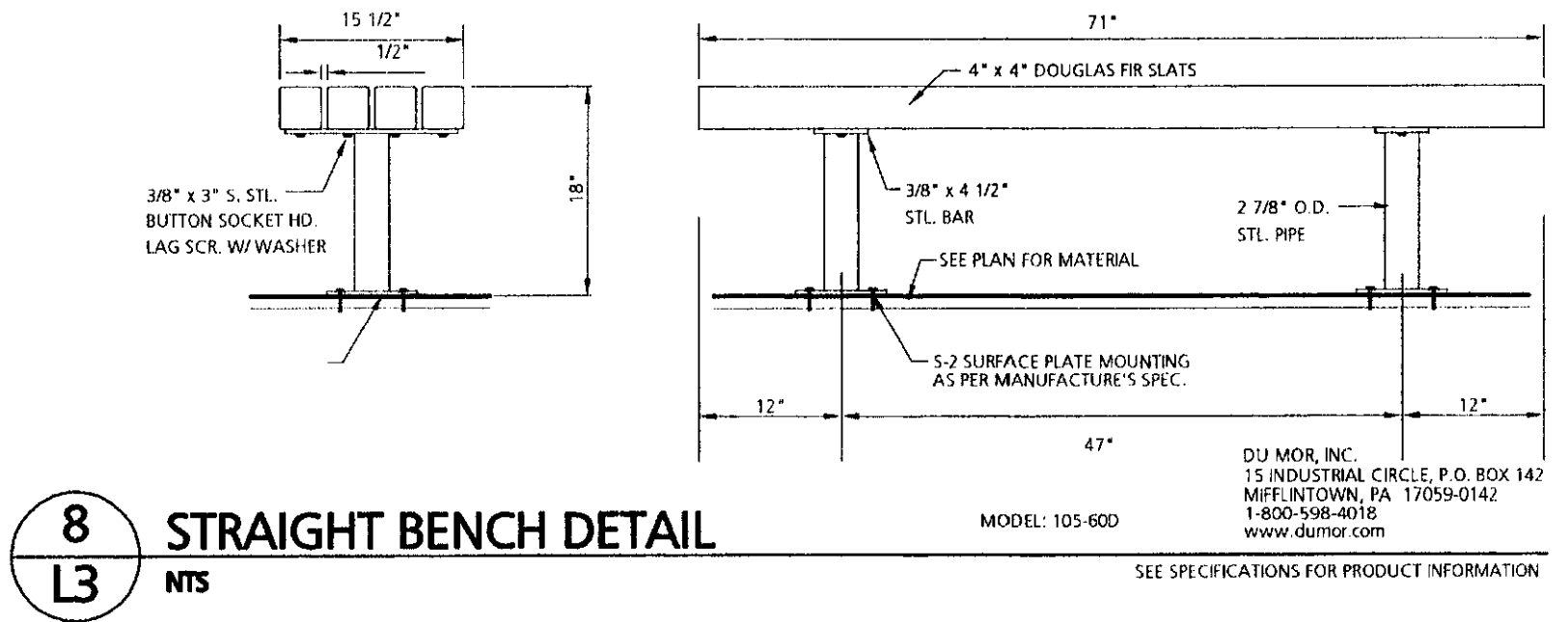
**7**  
**L3** NTS  
**BLUESTONE PAVING DETAIL**  
 SEE SPECIFICATIONS FOR PRODUCT INFORMATION



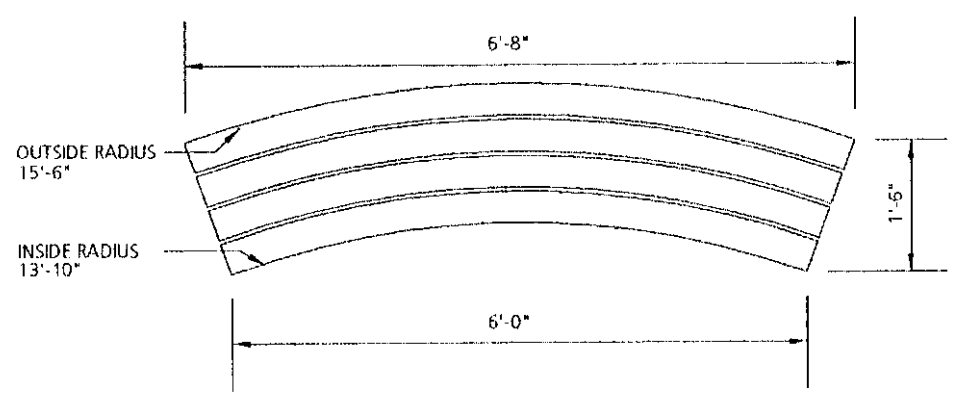
**8A**  
**L3** NTS  
**STRAIGHT BENCH W/ BACK DETAIL**  
 SEE SPECIFICATIONS FOR PRODUCT INFORMATION



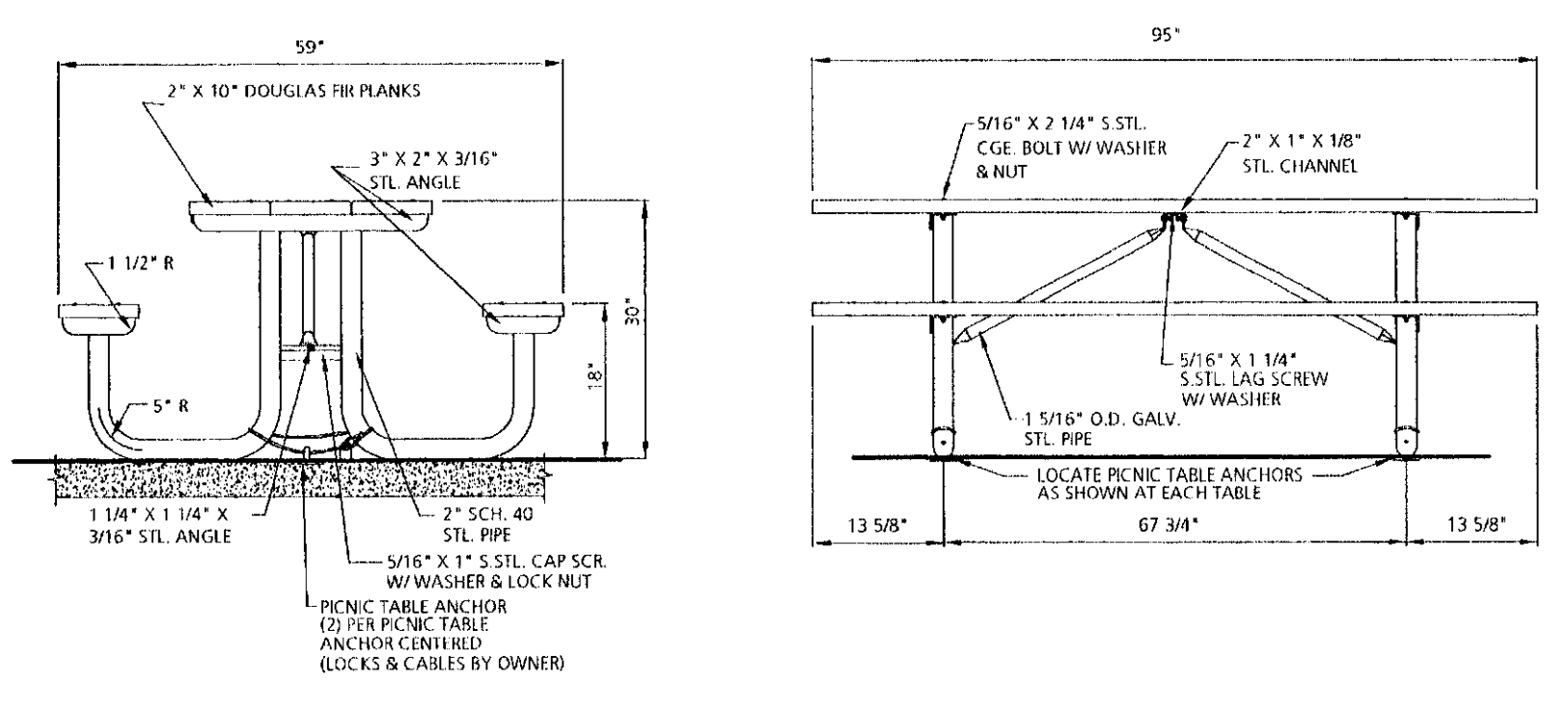
**9**  
**L3** NTS  
**PICNIC TABLE ANCHOR DETAIL**  
 SEE SPECIFICATIONS FOR PRODUCT INFORMATION



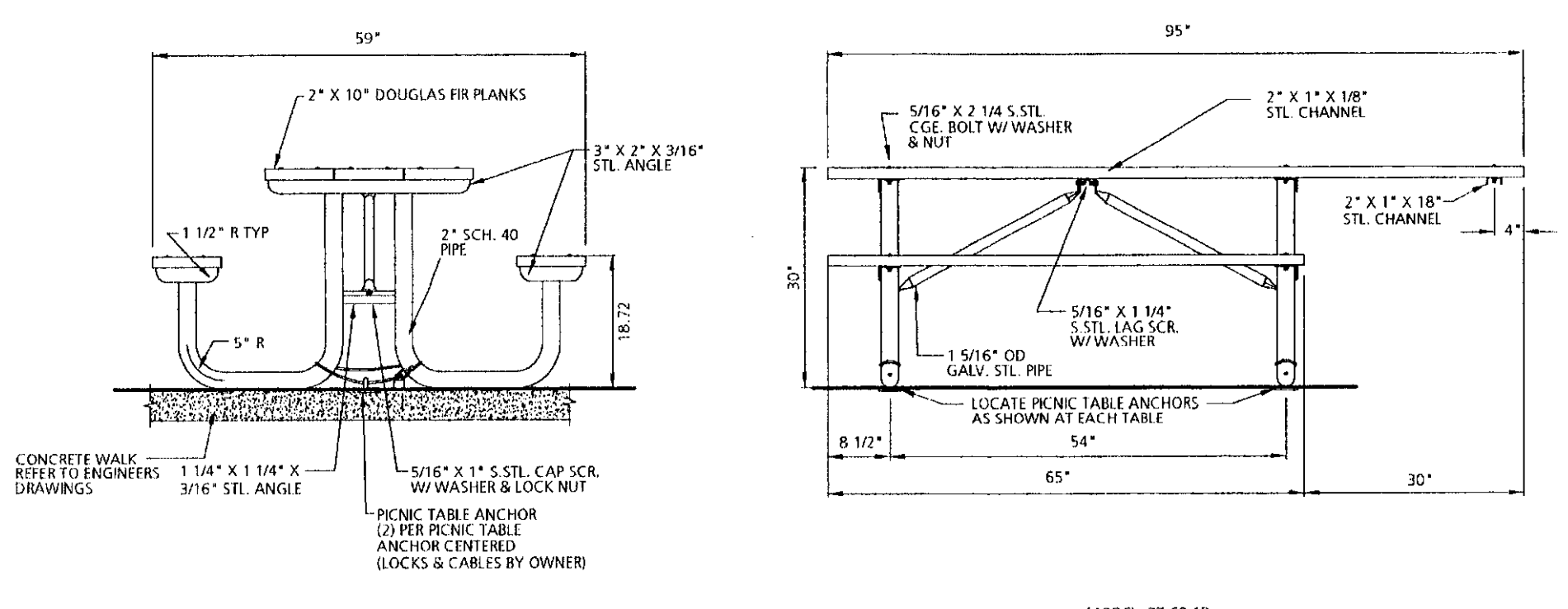
**8**  
**L3** NTS  
**STRAIGHT BENCH DETAIL**  
 SEE SPECIFICATIONS FOR PRODUCT INFORMATION



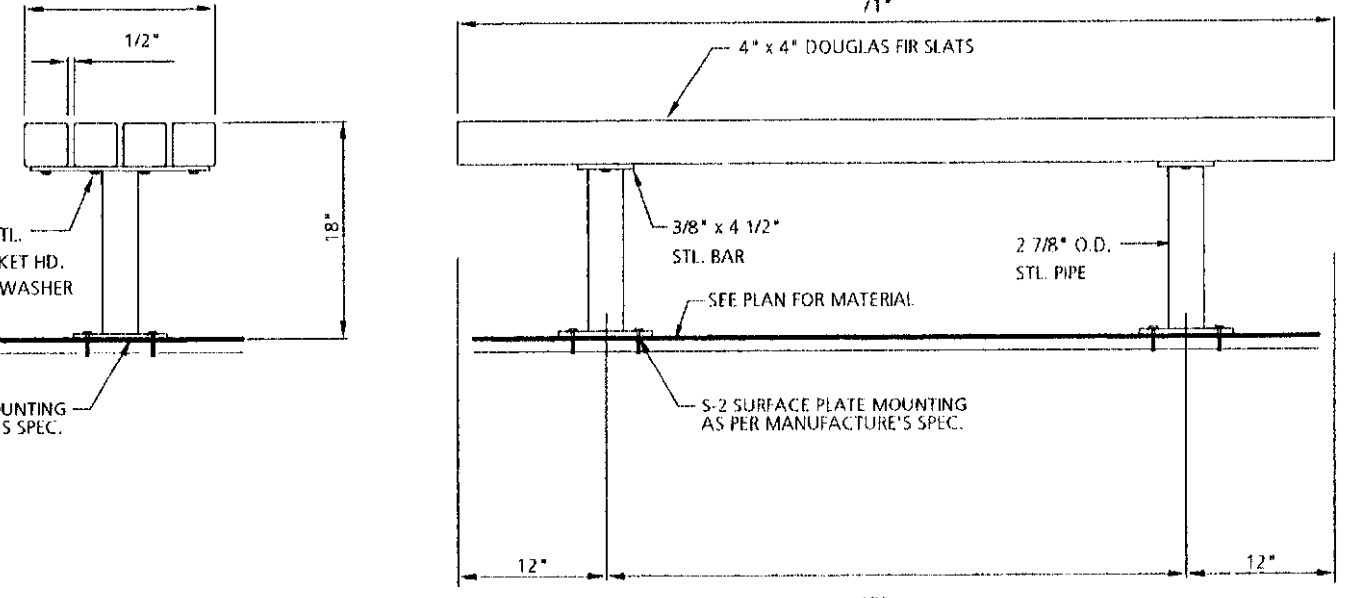
**12**  
**L3** NTS  
**CURVED BENCH DETAIL**  
 SEE SPECIFICATIONS FOR PRODUCT INFORMATION



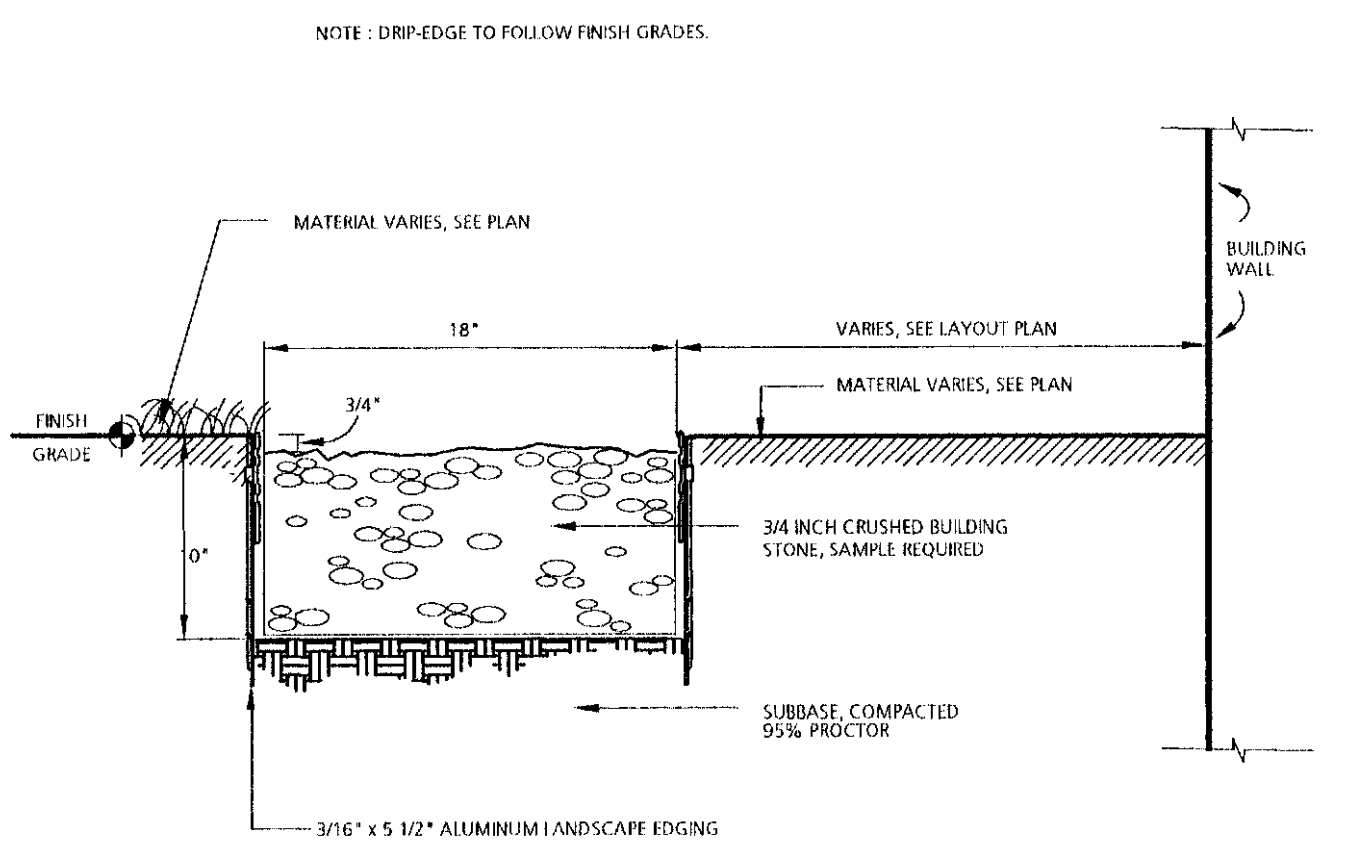
**10**  
**L3** NTS  
**PICNIC TABLE DETAIL**  
 SEE SPECIFICATIONS FOR PRODUCT INFORMATION



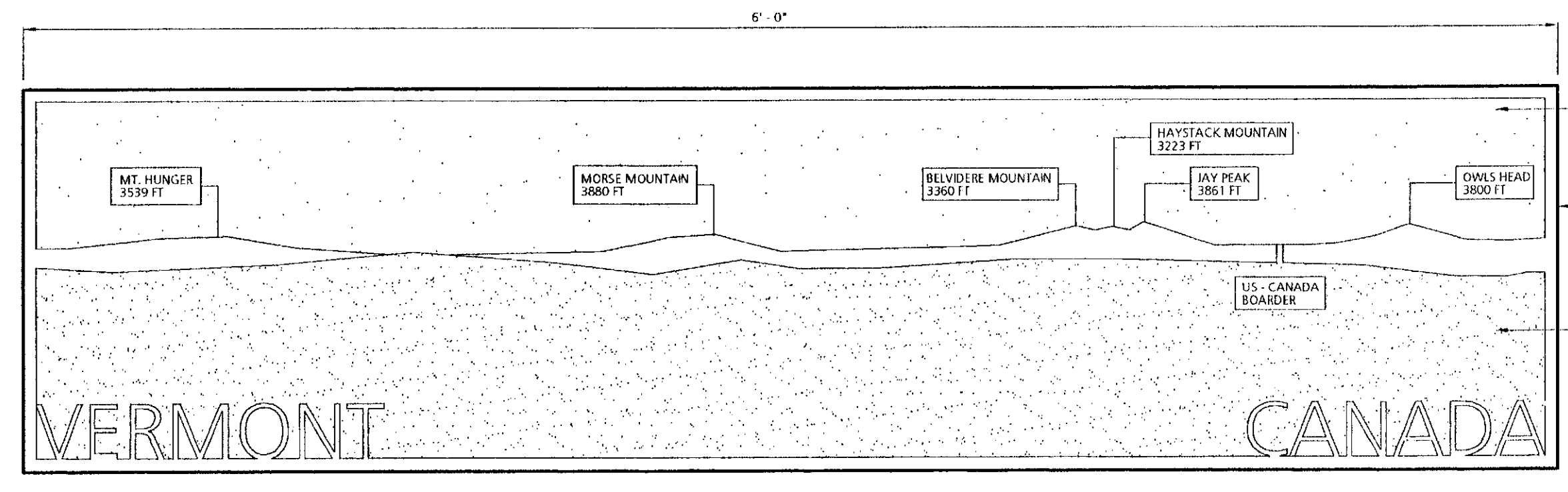
**11**  
**L3** NTS  
**ACCESSIBLE PICNIC TABLE DETAIL**  
 SEE SPECIFICATIONS FOR PRODUCT INFORMATION



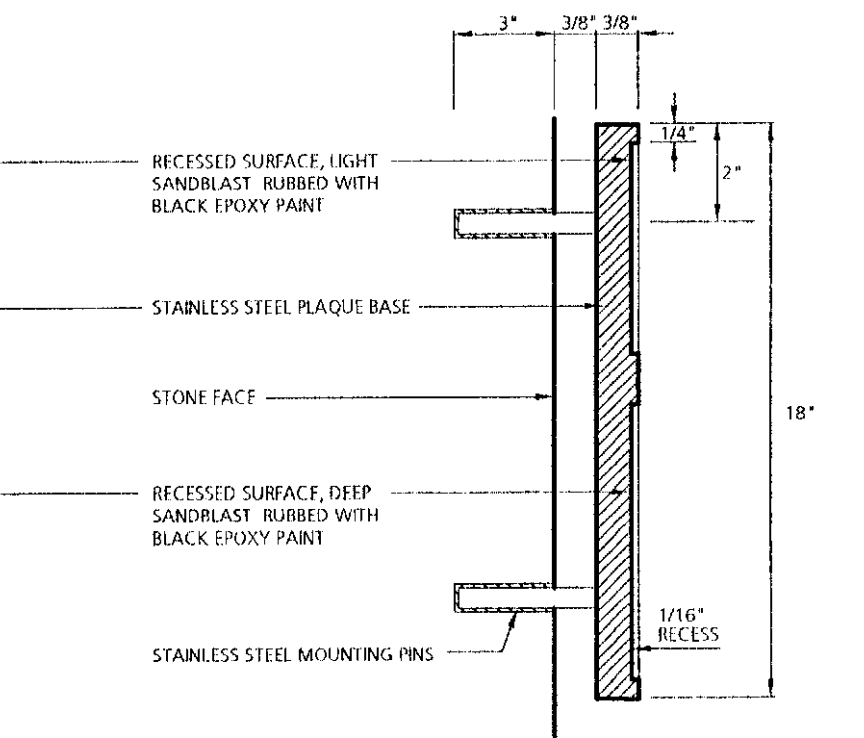
**12**  
**L3** NTS  
**CURVED BENCH DETAIL**  
 SEE SPECIFICATIONS FOR PRODUCT INFORMATION



**13**  
**L3** NTS  
**DRIP EDGE DETAIL**  
 SEE SPECIFICATIONS FOR PRODUCT INFORMATION



**14**  
**L3** NTS  
**LANDMARK IDENTIFICATION PLAQUE DETAIL**  
 NOTE: THIS IS A SIGN DESIGN CONCEPT ONLY. CONTRACTOR TO PROVIDE SHOP DRAWINGS FOR THE CONSTRUCTION OF AND MOUNTING OF THE SIGN AND DRAWINGS DETECTING ACCURATE LANDMARK INFORMATION TO THE CLIENT FOR APPROVAL. OHKW TAKES NO RESPONSIBILITY FOR ACCURACY OF ANY SIGN INFORMATION.



**NORTHERN ARCHITECTS**  
 207 KING STREET SUITE 3  
 BURLINGTON, VERMONT 05401-4502  
 802-658-1953

CONSULTANTS  
**CIVIL**  
 KREBS AND LANZING  
 10 Main Street  
 Colchester VT 05446  
 (802)-878-0375  
**LANDSCAPE ARCHITECT**  
**OHKW**  
 7 Marble Ave.  
 Burlington VT 05401  
 (802)-864-0010  
**STRUCTURAL**  
 RICHARD W. DUCHET, P.E.  
 117 St. Paul Street  
 Burlington VT 05401  
 (802)-660-9212  
**PLUMBING, MECHANICAL AND ELECTRICAL**  
 DUFRESNE AND HENRY  
 Precision Park  
 North Springfield VT 05150-0029  
 (802)-888-2261

REVISIONS

PROJECT  
**DERBY WELCOME CENTER**  
 PROJECT #101-3(8)

NEW FACILITY

DERBY VERMONT

DATE: 01-07-2002  
 SCALE: NTS  
 CHECKED: AS  
 PROJECT NO: 00036

LANDSCAPE DETAILS

**L3.0**