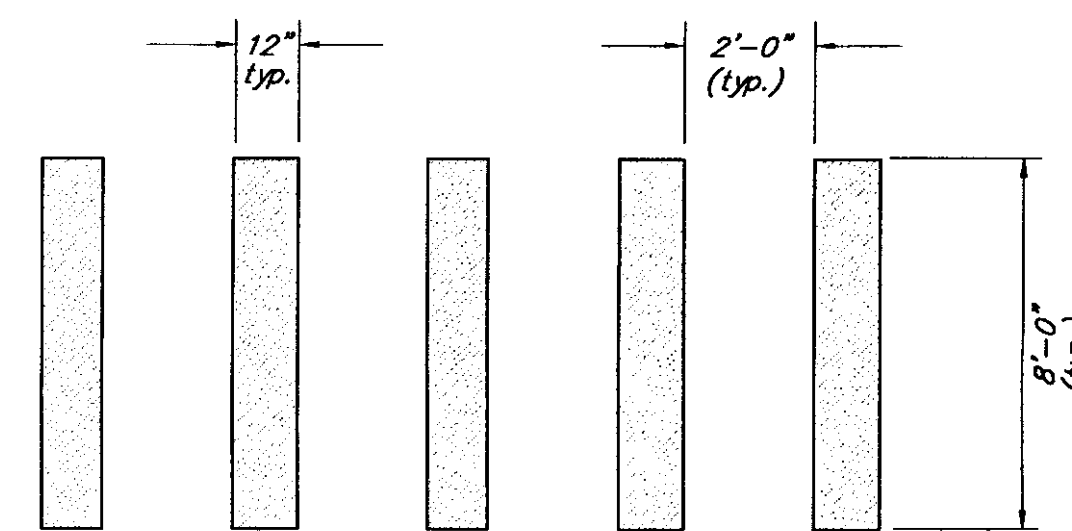


Vertical Granite Curb

N.T.S.

NOTE:

** Height not to exceed 4" where design speed \geq 40 MPH or is installed adjacent to guardrail (standard shape to be buried to this depth)

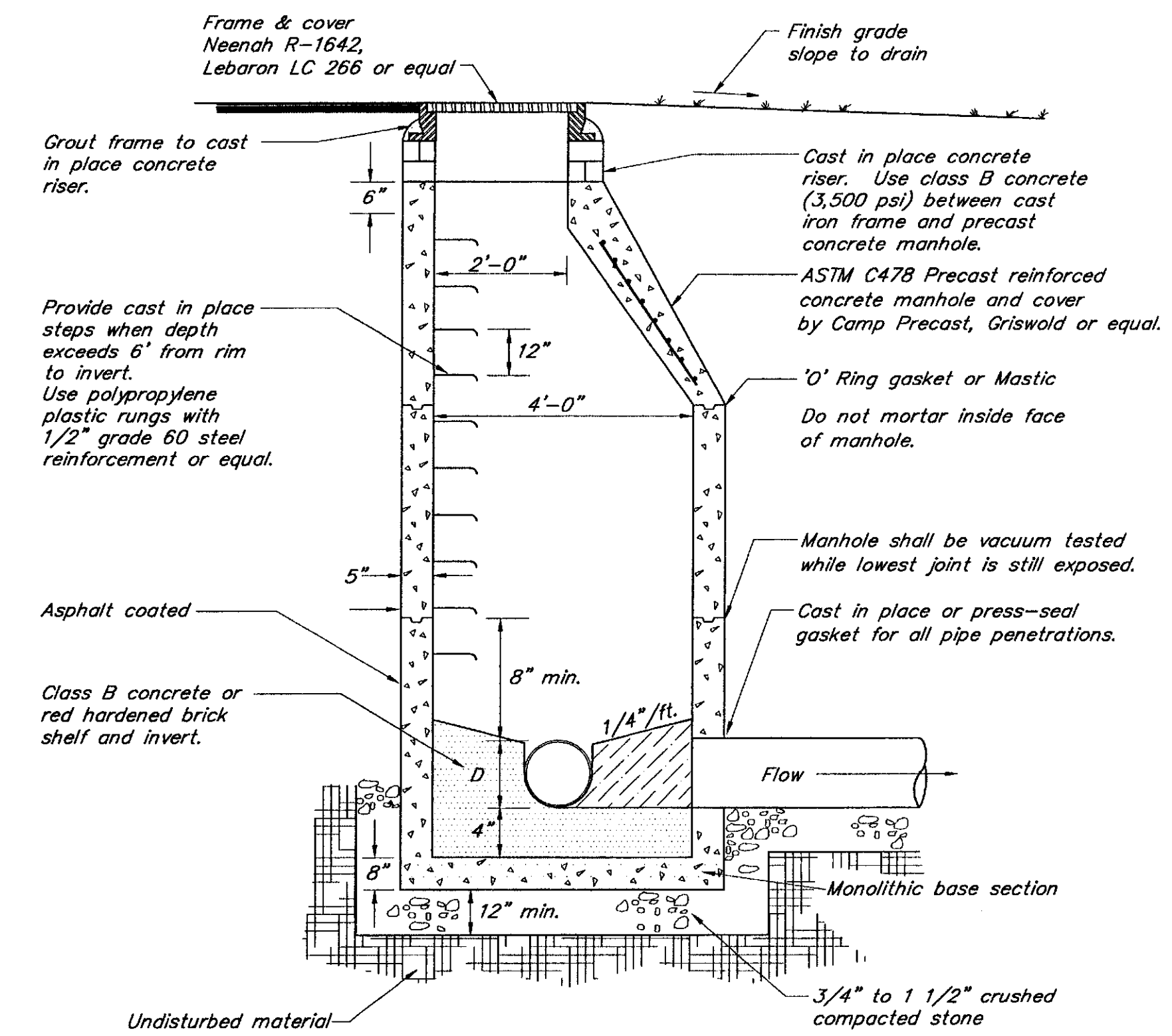


Crosswalk Pavement Marking Detail

N.T.S.

Pavement Marking Notes:

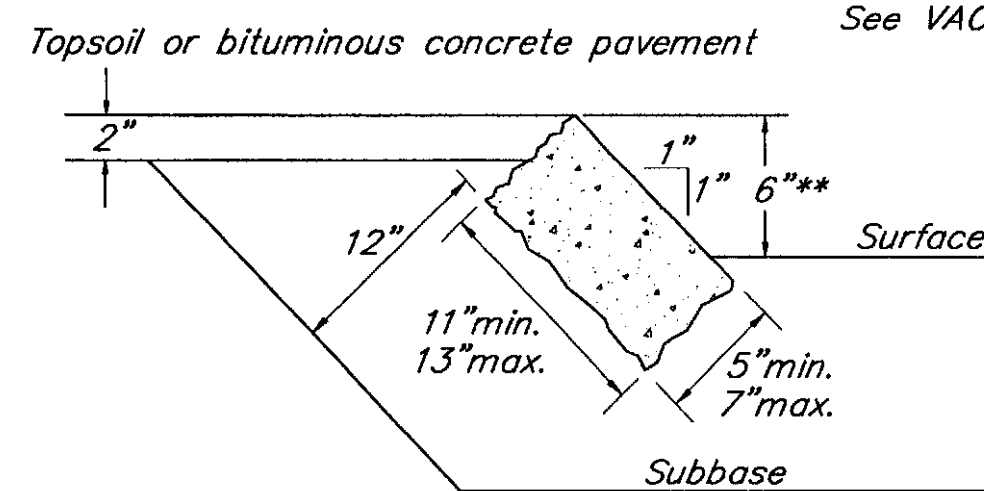
- All markings shall meet the requirements for the Manual of Uniform Traffic Control Devices (section 3B-23) and Vermont Pavement Marking Placing Guidelines
- Acceptable thermoplastic pavement markings shall be one of the thermoplastic pavement markings on the approved list on file at the Agency's Materials and Research Section. (See section 708.10 of the State of Vermont Agency of Transportation Standard Specifications for Construction 2001)



Typical Precast Manhole

N.T.S.

Edging to be placed prior to placing top surface course.
Joints between stones to be mortared. See VAOT Standard Specifications.



Granite Slope Edging

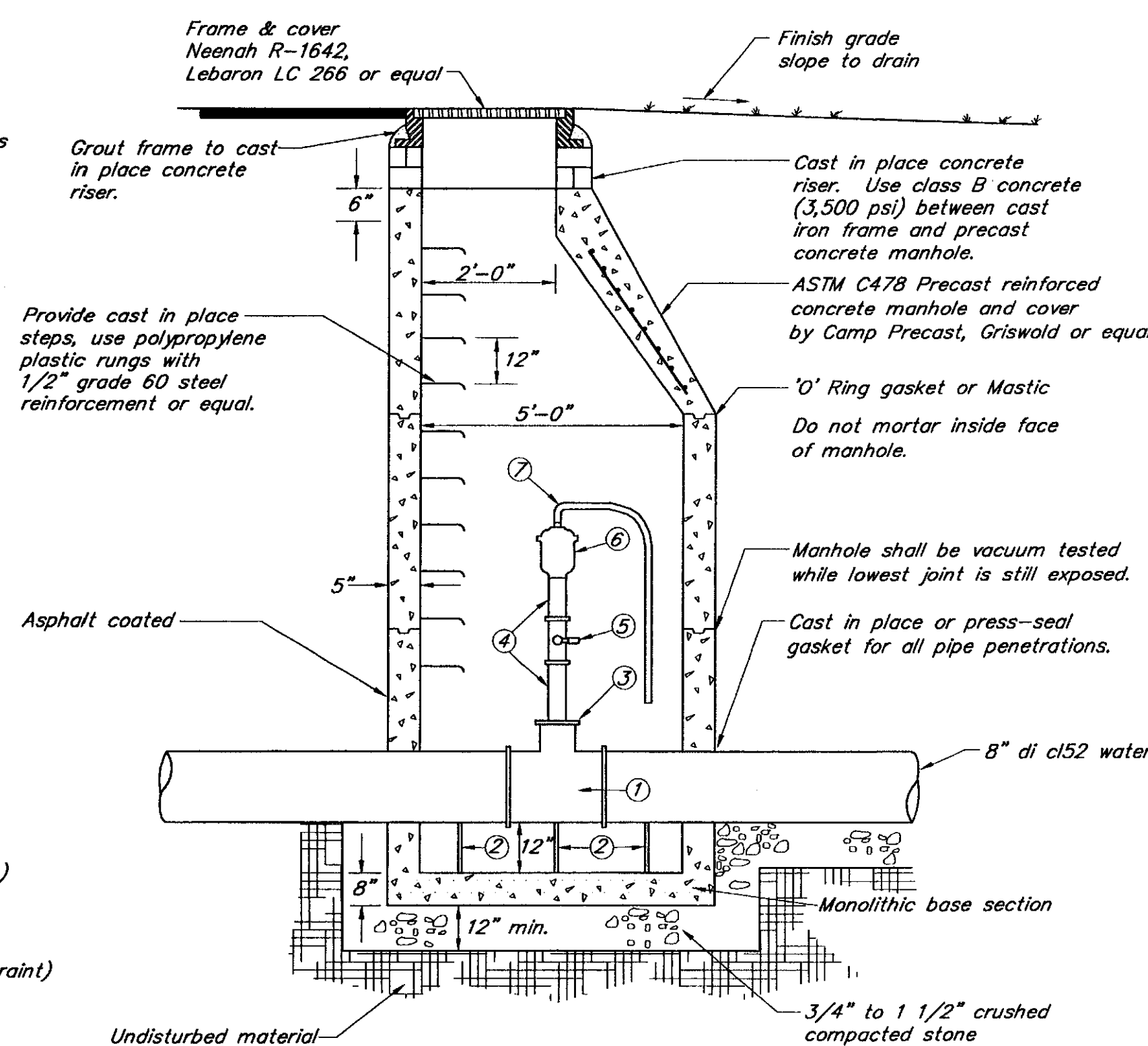
N.T.S.

NOTE:

** Height not to exceed 4" where design speed \geq 40 MPH or is installed adjacent to guardrail (standard shape to be buried to this depth)

Maintenance Notes:

- The manhole should be checked monthly and pumped out if water depth exceeds 6".
- Follow all necessary enclosed space regulations if personal enters manhole.

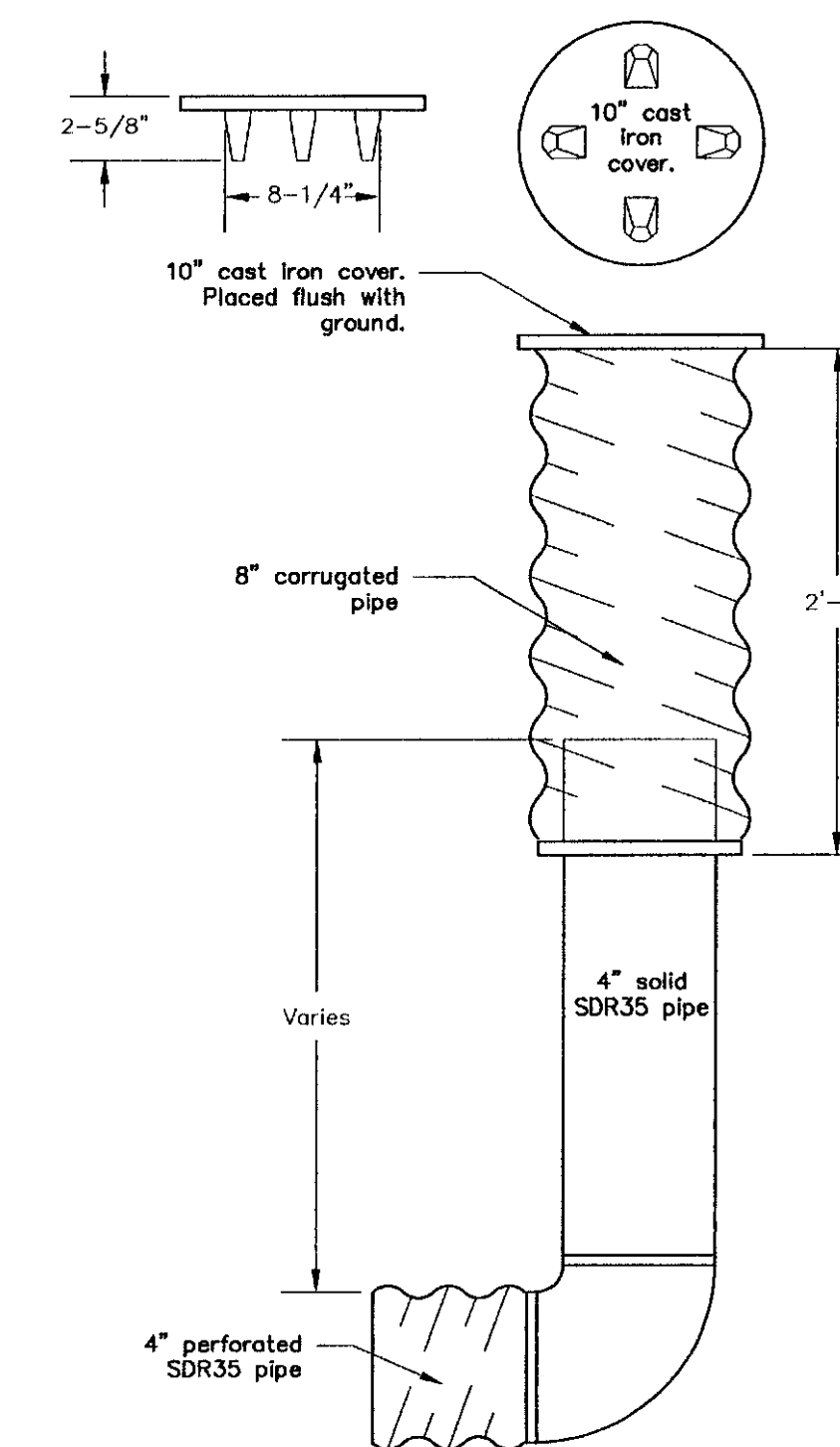


Typical Air Release / Vacuum Cleanout Manhole

N.T.S.

Schedule

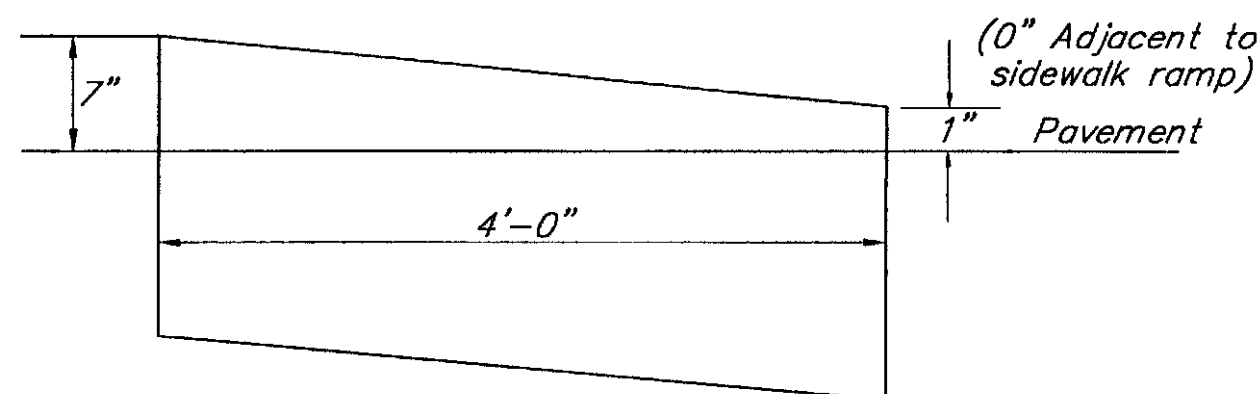
- 8"x8"x4" M.J. Tee (with Mega-lug restraint)
- Adjustable pipe supports
- 4" Threaded M.J. Plug (with Mega-lug restraint)
- 2" Galvanized Pipe
- 2" Full Port Ball Valve Brass (normally open)
- Cast Iron Air Release Valve (APCO Model 200/2")
- Discharge Tube (Extend away from air release) Maintain end of tube min. 24" above floor.



Underdrain Flushing Basin

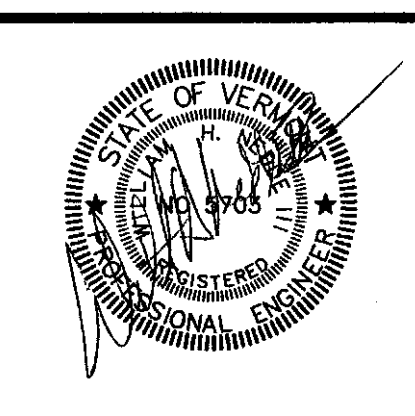
N.T.S.

Joints between stones to be mortared. See VAOT Standard Specifications.



Granite Curb End for Vertical Granite Curb

N.T.S.



NORTHERN ARCHITECTS
207 KING STREET
SUITE 3
BURLINGTON, VERMONT
05401-4502
802-658-1953

CONSULTANTS
CIVIL
KRESS & LANSING
164 Main Street, Suite 201,
Colchester, VT 05446
(802) 858-0775
LANDSCAPE ARCHITECT
OHKW
OFFICE OF HORTICULTURE
7 Maple Avenue
Dunbarton, VT 05401
(802) 864-0010
STRUCTURAL
RICHARD M. DOWNEY, P.E.
117 SABLE PARK DRIVE
BURLINGTON, VT 05401
802-660-9217
MECHANICAL/ELECTRICAL
DUFFY-SHANE-HENRY, INC.
24 ROUTE 106, PRECISION PARK
NORTH SPRINGFIELD, VT 05150
802-886-7261

REVISIONS

PROJECT
DERBY WELCOME CENTER
PROJECT #1M 091-3(8)
NEW FACILITY
DERBY VERMONT
DATE: 01/07/02
SCALE: AS NOTED
CHECKED:
PROJECT NO: 00137

DETAILS

SC-30
00137 - SC-30.dwg