

**NORTHERN ARCHITECTS**

207 KING STREET  
SUITE 3  
BURLINGTON, VERMONT  
05401-4502  
802-658-1953

**CONSULTANTS**

**CIVIL**  
FRANK J. LANSING  
164 Main Street, Suite 2101  
Colchester, VT 05446  
(802) 878-0275

**LANDSCAPE ARCHITECT**  
**OHKW**  
OFFICE OF RUTH WAGNER  
7 Diable Avenue  
Burlington, VT 05401  
(802) 864-0010

**STRUCTURAL**  
EDWARD H. DORRNEY, P.E.  
117 SHANNON STREET  
BURLINGTON, VT 05401  
802-660-9917

**MECHANICAL/ELECTRICAL**  
DUFFY & HENRY, INC.  
24 ROUTE 66, PRECISION PARK  
NORTH SPRINGFIELD, VT 05450  
802-886-2261

**REVISIONS**

**PROJECT**

**DERBY WELCOME CENTER**  
PROJECT #10 091-3(8)

**NEW FACILITY**

**DERBY VERMONT**

DATE: 01/07/02

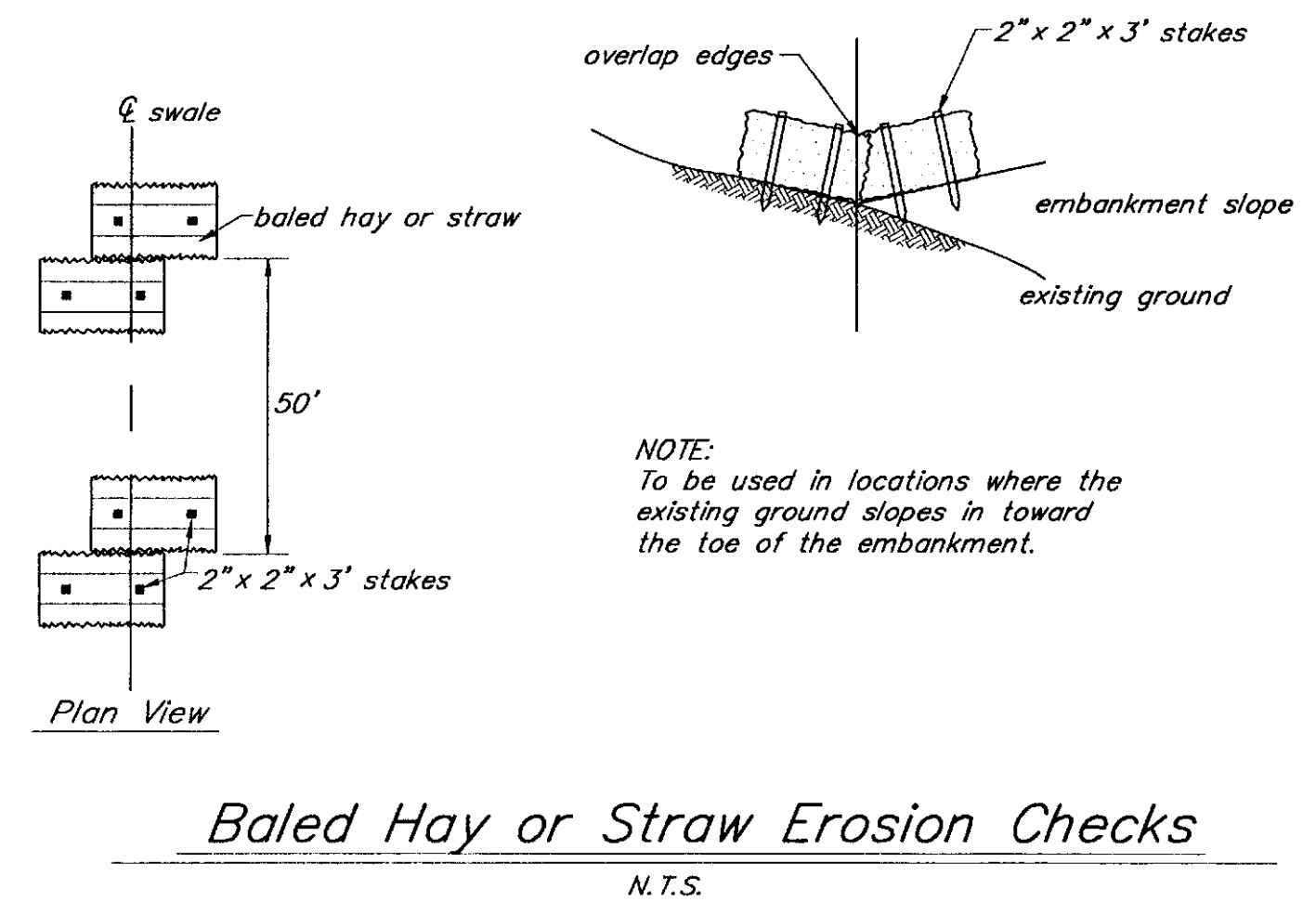
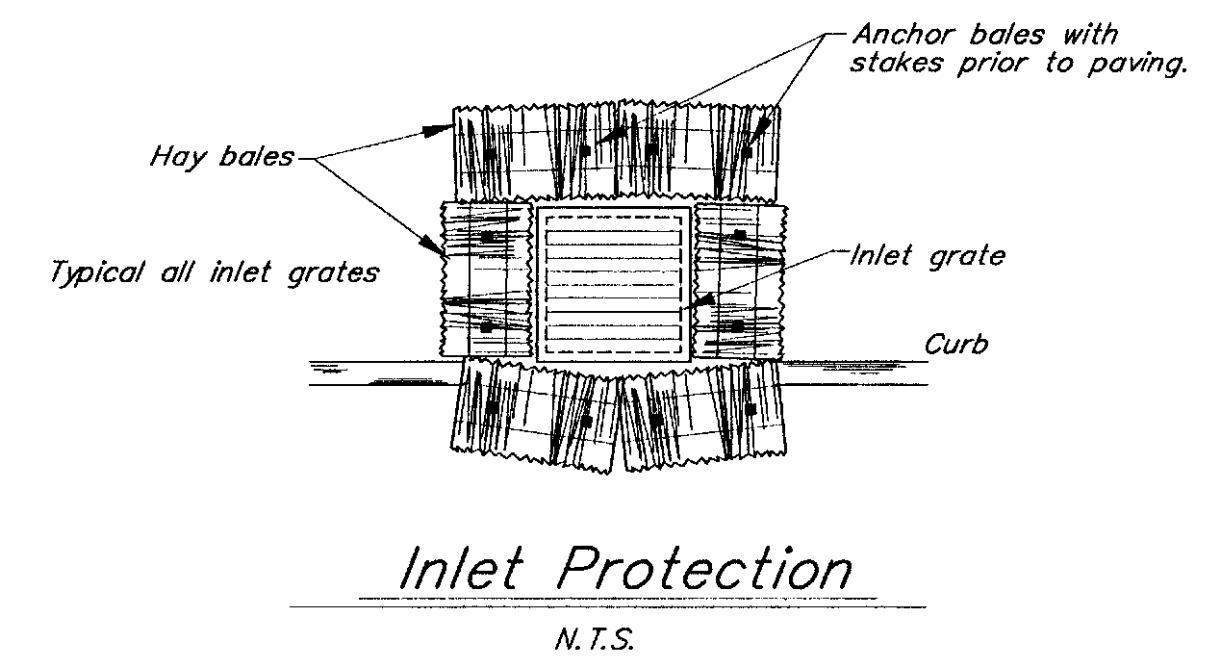
SCALE: AS NOTED

CHECKED:

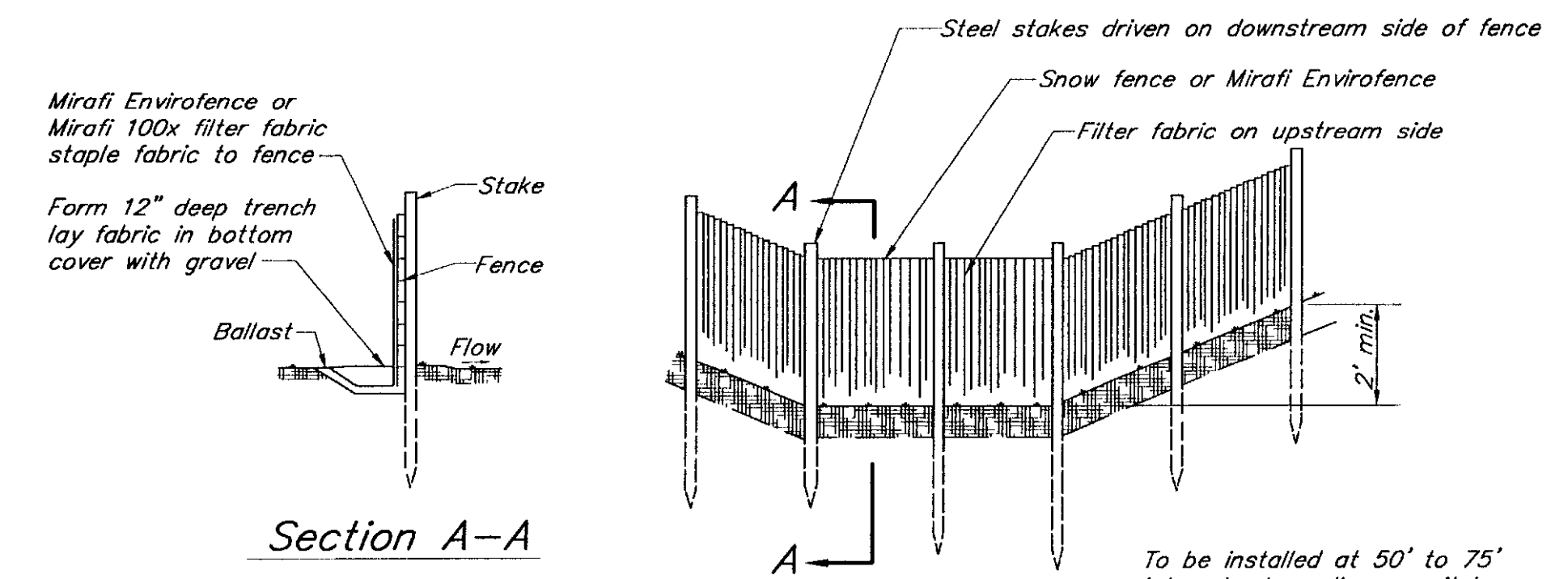
PROJECT NO: 00137

**DETAILS**

**SC-28**



**Note:**  
Sediment shall be cleaned out when it has reached half the height of the fence or before major predicted rainfall events. Remove silt fence after successful establishment of vegetation.



**Typical Temporary Silt Fence Erosion Control Barrier**  
N.T.S.

**Erosion Control Notes**

- The limit of disturbance shall be clearly defined by Contractor's surveyor prior to clearing. Erosion control shall be established to trap sediment on site.
- The site shall then be cleared and grubbed. All roots, stumps and deleterious materials shall be removed from the site. The Contractor shall minimize the amount of disturbed land at any given time.
- All erosion controls shall be installed as detailed in the publication Vermont Handbook for Soil Erosion and Sediment Control on Construction Sites.
- All erosion control shall be placed as shown on the drawings or as ordered by the Engineer. The Contractor shall maintain the erosion control measures until the Engineer is satisfied that permanent ground cover is established and that further measures are not required.
- The erosion controls shall be checked regularly by the Engineer. Any necessary repairs or modifications shall be immediately completed by the Contractor.
- All excess material and topsoil shall be stockpiled in areas approved by the Engineer. These stockpiles shall be surrounded by hay bale erosion control dams and shall be seeded and mulched to minimize erosion potential as directed by Engineer.
- As disturbed areas are graded and topsoiled, they will be seeded and mulched to reduce the erosion potential of the soil.
- Any drainage swales with a slope greater than 5% shall use a stone lining for stabilization. See Engineer for detail.
- When erosion control measures are deemed no longer necessary, all materials detained, including silts and construction runoff debris, shall be collected and disposed of in a manner acceptable to the Engineer.
- The Contractor shall use water and/or calcium chloride for dust control.
- The Contractor shall provide hay bale inlet protection around each catch basin prior to pavement and turf establishment.
- The Contractor shall sweep all existing roadways and new pavement as required and directed by the Engineer to maintain dust control.
- All erosion controls shall be installed prior to October 1 for winter construction.
- Additional erosion controls shall be installed as directed by the Site Engineer.
- The Owner's Representative will regularly inspect the erosion controls in place to ensure their proper installation.
- All disturbed areas not involved in winter construction shall be mulched and seeded before October 1.
- All winter construction areas will be stabilized by mulch for winter/spring meltdowns and when winter construction has halted.

**Note:**  
Sediment shall be cleaned out when it has reached half the height of the hay bale or before major predicted rainfall events. Remove hay bales after successful establishment of vegetation.

