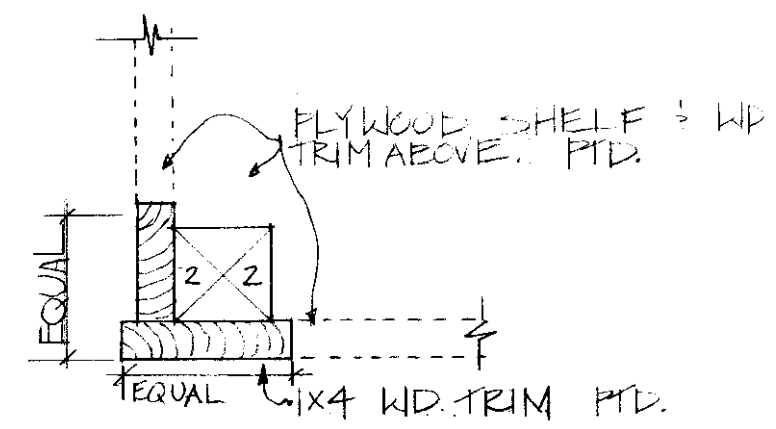
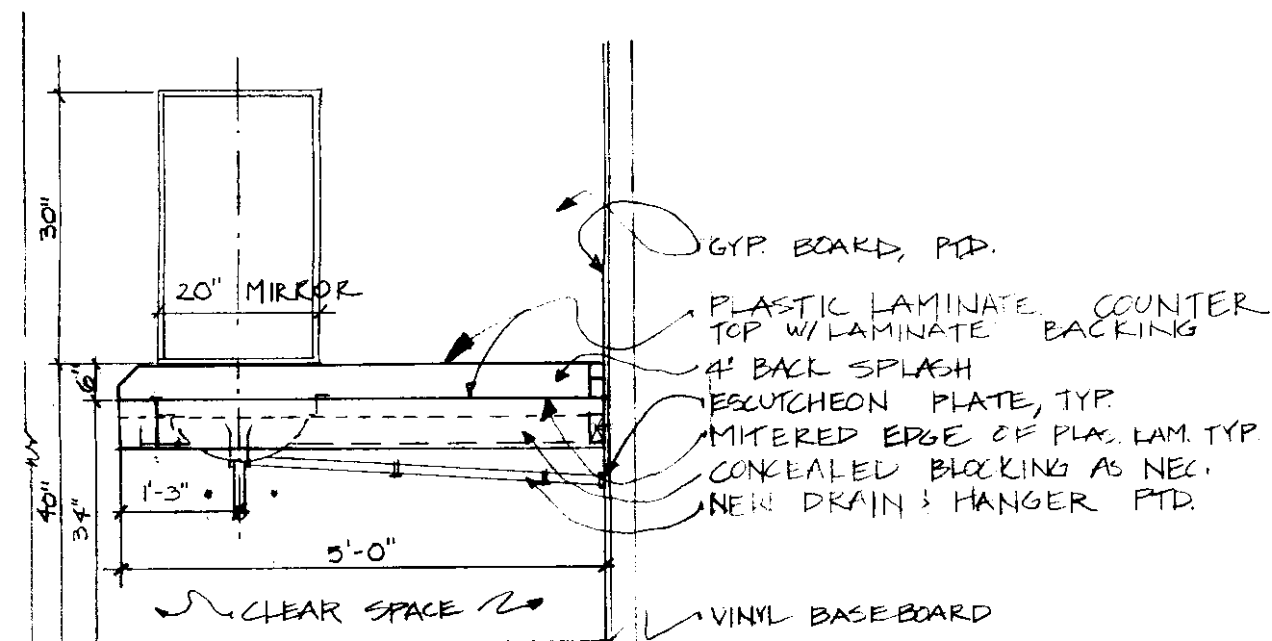


TYP. SHELVES ELEVATION
SCALE: 1/2" = 1'-0"



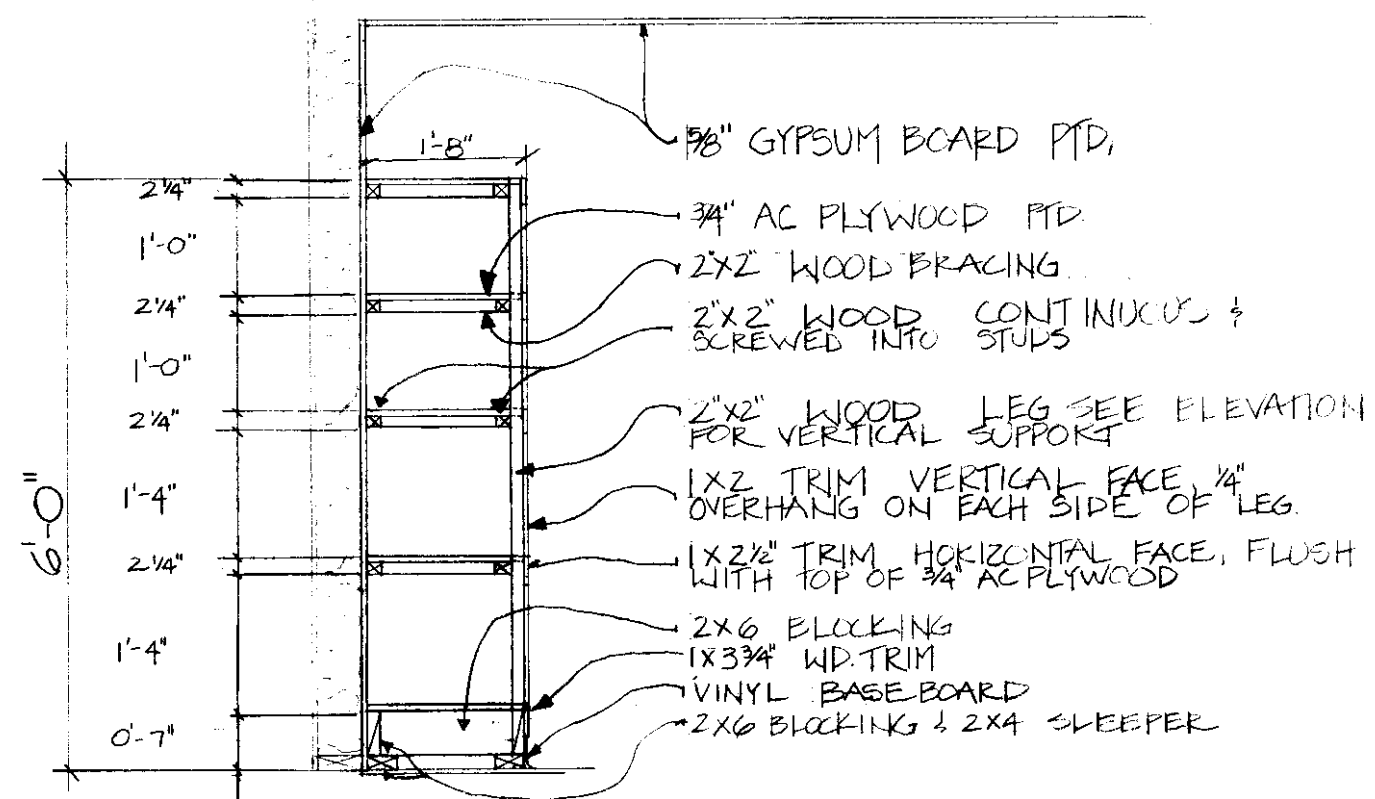
OUTSIDE CORNER OF SHELF
SCALE: 3/8" = 1'-0"



BABYCHANGER/SINK ELEVATION
SCALE: 1/2" = 1'-0"

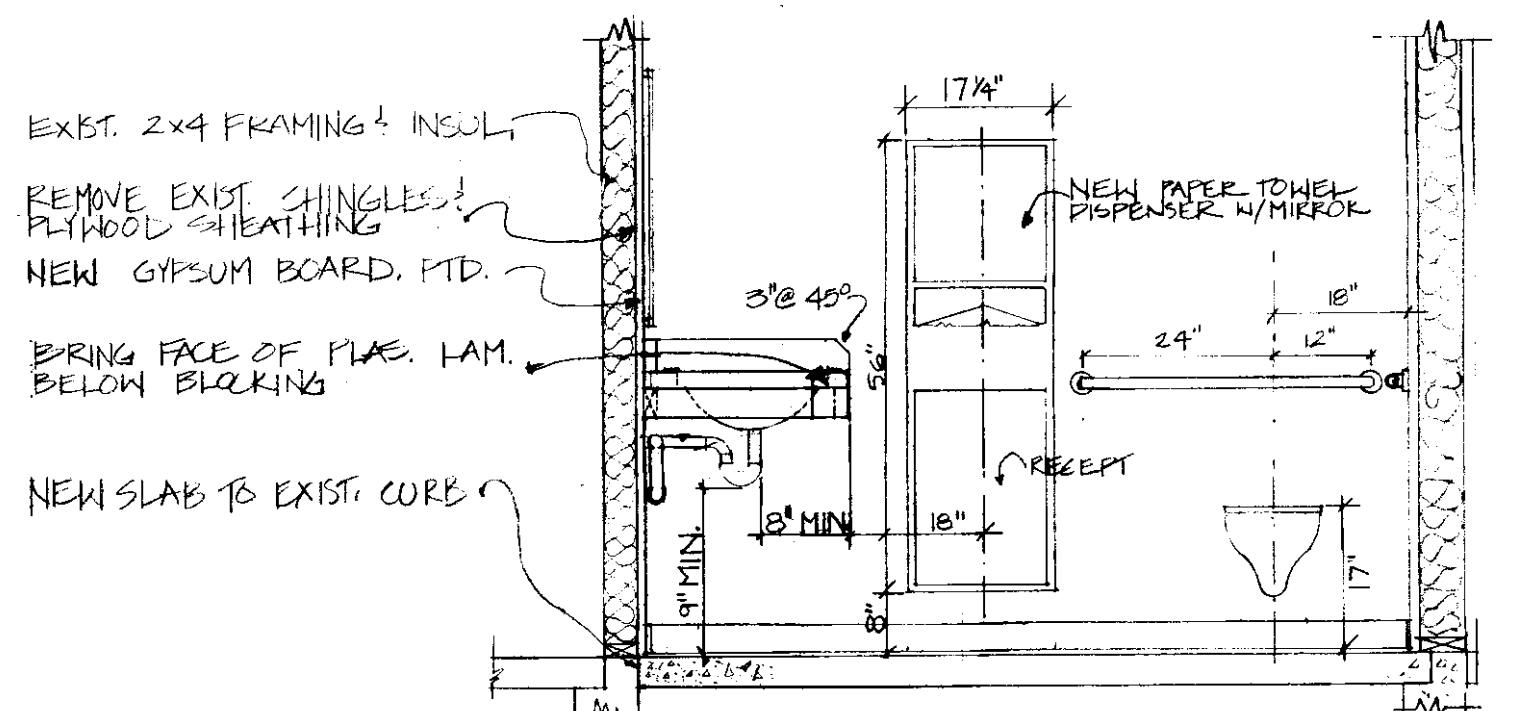
SPECIAL PATHROOM NOTES

1. ANCHOR & BRACE AS NEEDED DO NOT USE VERTICAL BRACING IN FRONT OF COUNTER OR SINK.
2. USE 45° ANGLE ON ALL EXPOSED CORNERS
3. NEW PLUMBING DOES NOT GO IN EXIST. WALL.

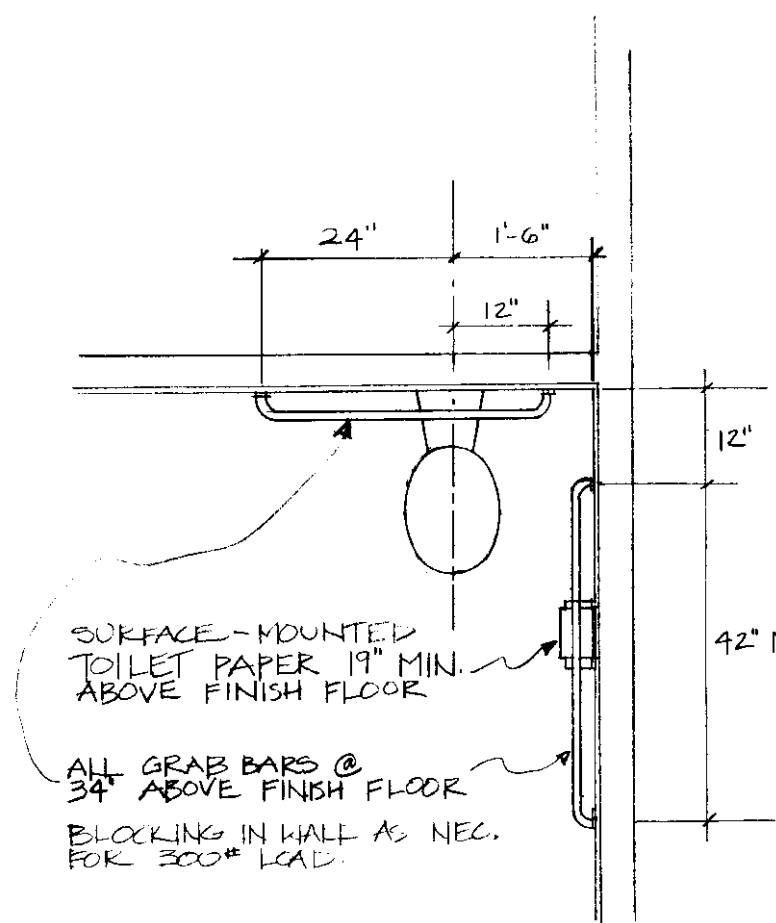


TYP. SHELVES DETAIL
SCALE: 1/2" = 1'-0"

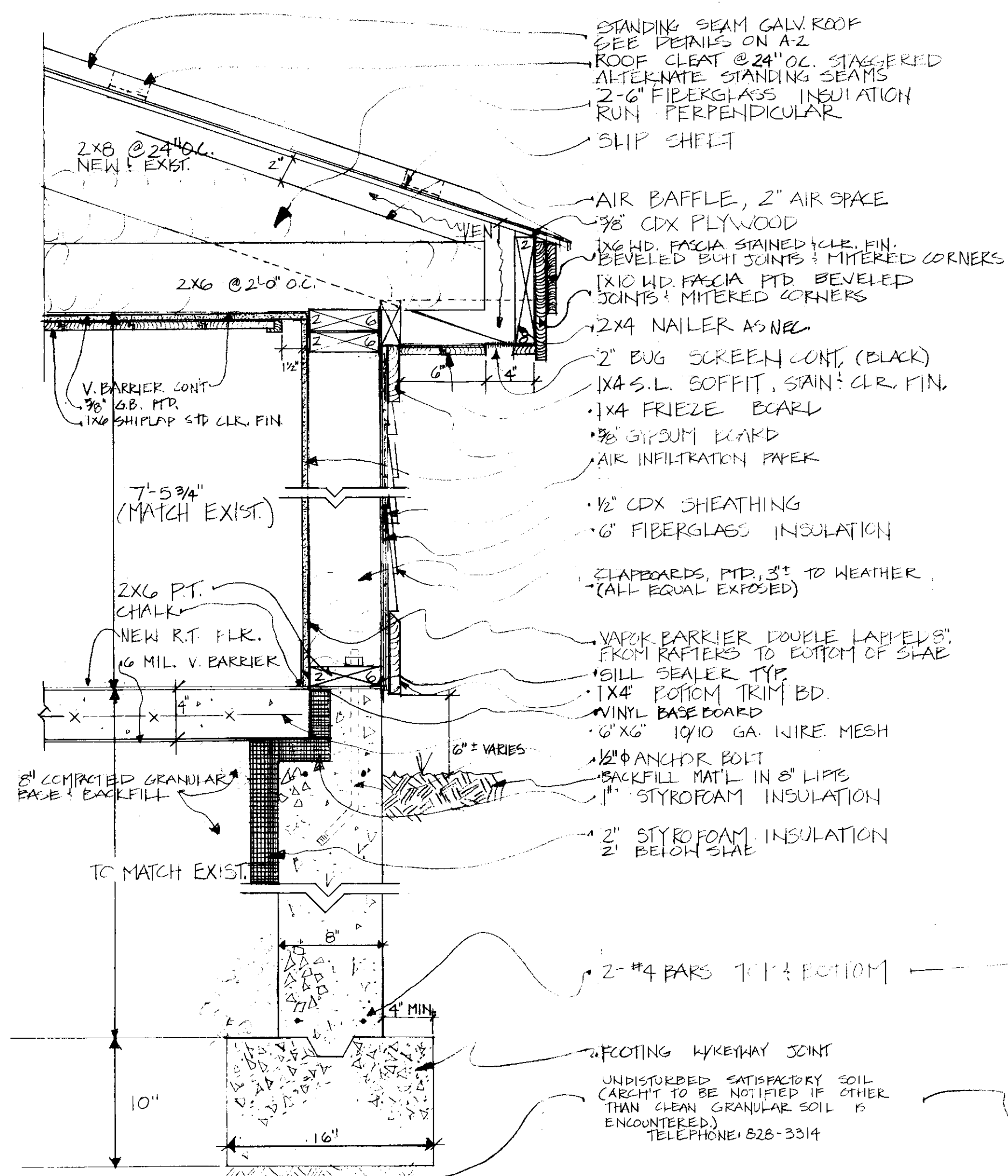
* NOTE: ALL PLYWOOD SHELVES TO BE STAINED 1 CLR. FIN. WOOD TRIM: EXPOSED BLOCKING TO BE PAINTED.



BABYCHANGER/SINK SECTION
SCALE: 1/2" = 1'-0"

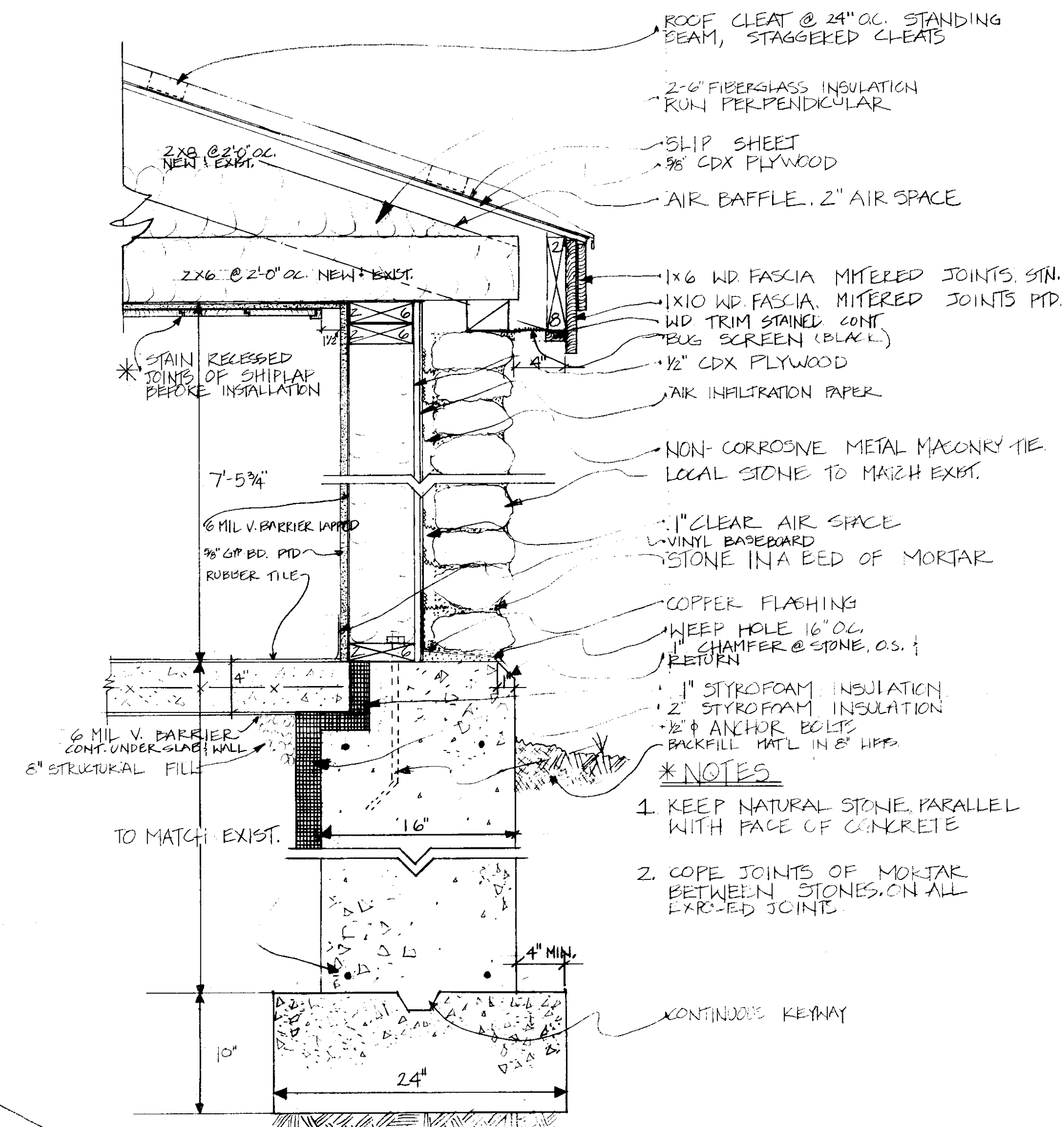


HANDICAPPED TOILET DETAIL
SCALE: 1/2" = 1'-0"



WALL SECTION 1
SCALE: 1/2" = 1'-0"

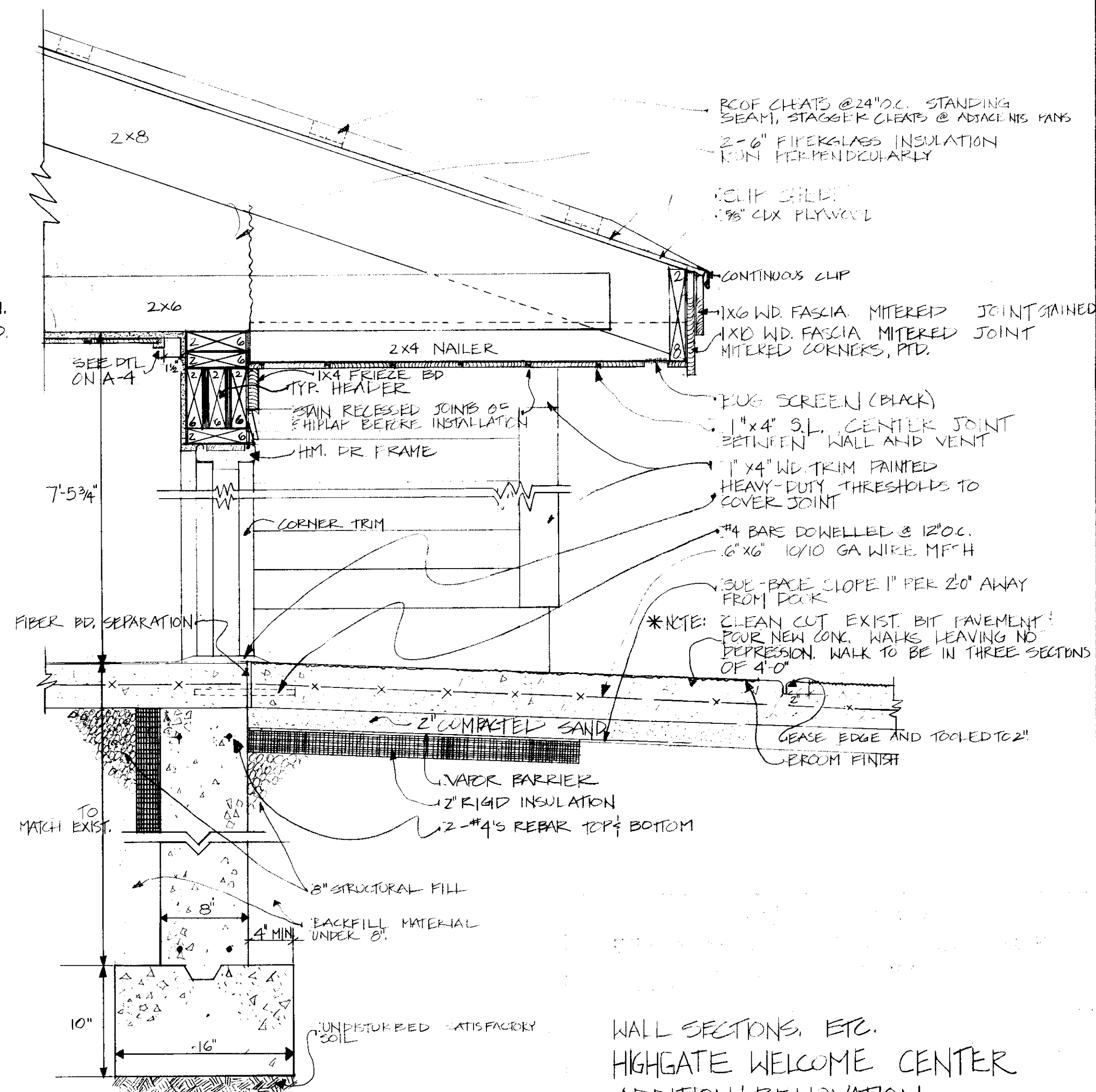
1/3



WALL SECTION 2
SCALE: 1/2" = 1'-0"

2/3

* SEE DET. ON A-4 @ WINDOW OPENINGS



WALL SECTION 3
SCALE: 1/2" = 1'-0"

3/3

WALL SECTIONS, ETC.
HIGHGATE WELCOME CENTER
ADDITION & RENOVATION

HIGHGATE SPRINGS

VERMONT

16 DEC 1988 AS SHOWN

A-3

J. HENDERSON, D. BAILEY

3 8