

AS BUILTS
DATE: 7/2/99

1 RIDGE BEAM SUPPORT
SCALE: 1" = 1'-0"

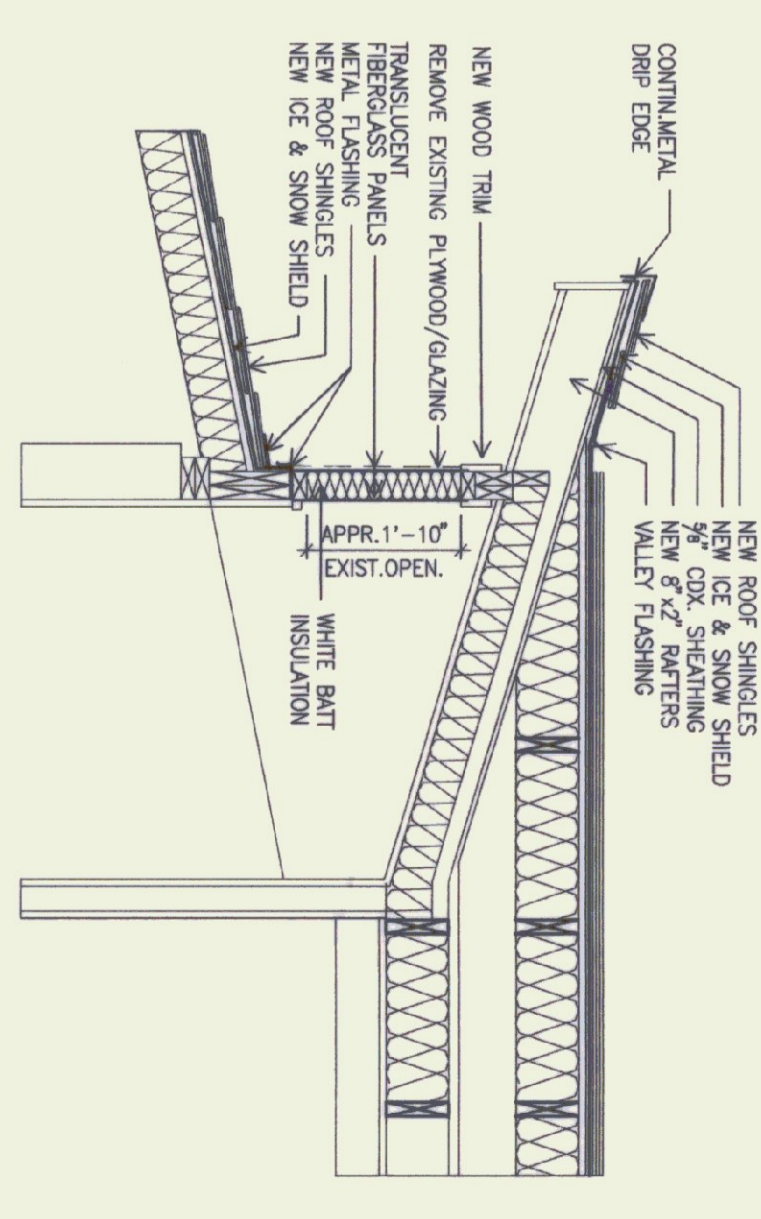
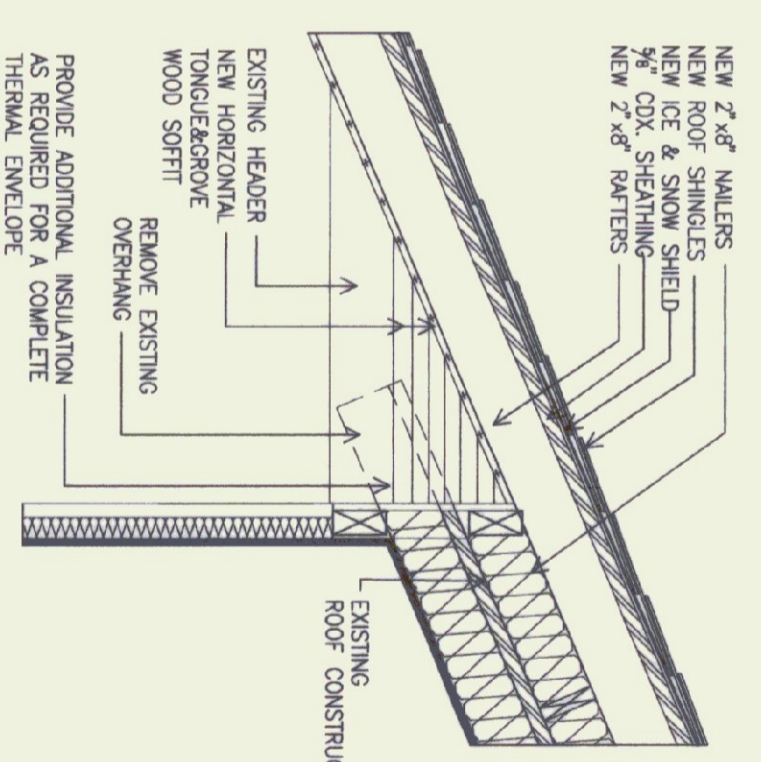
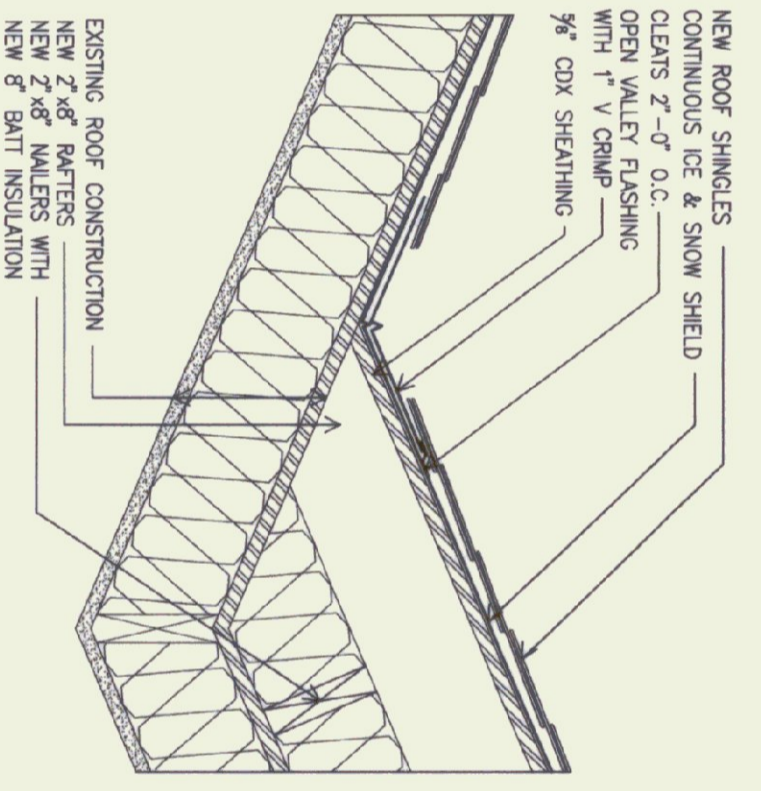
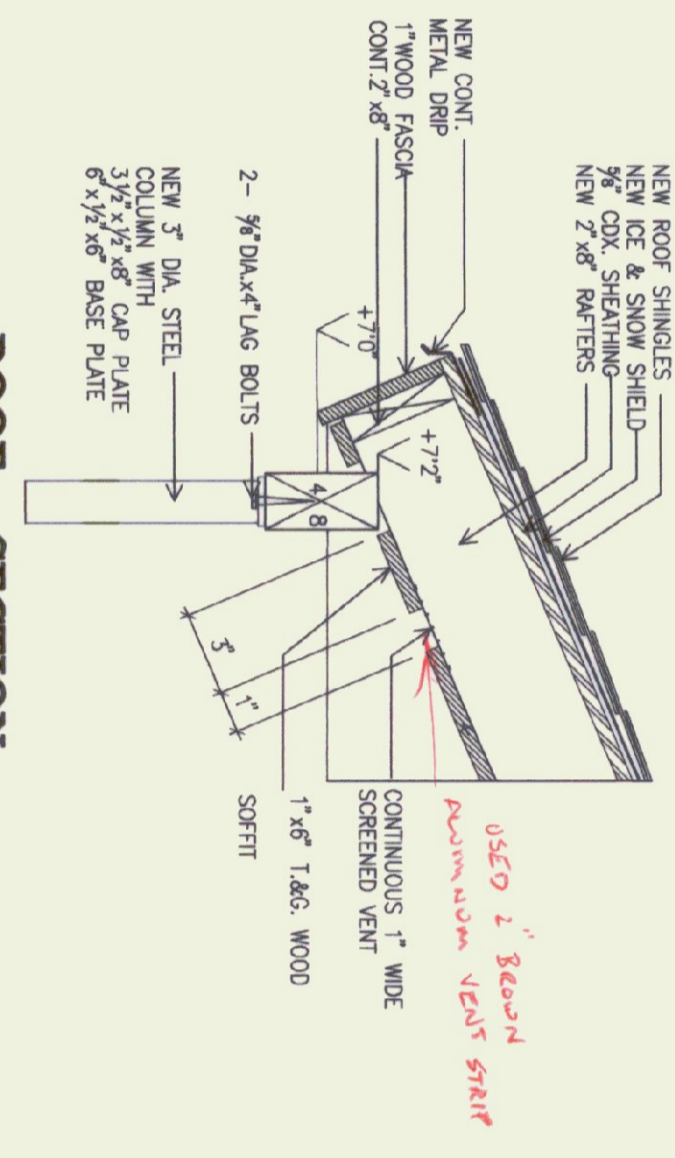
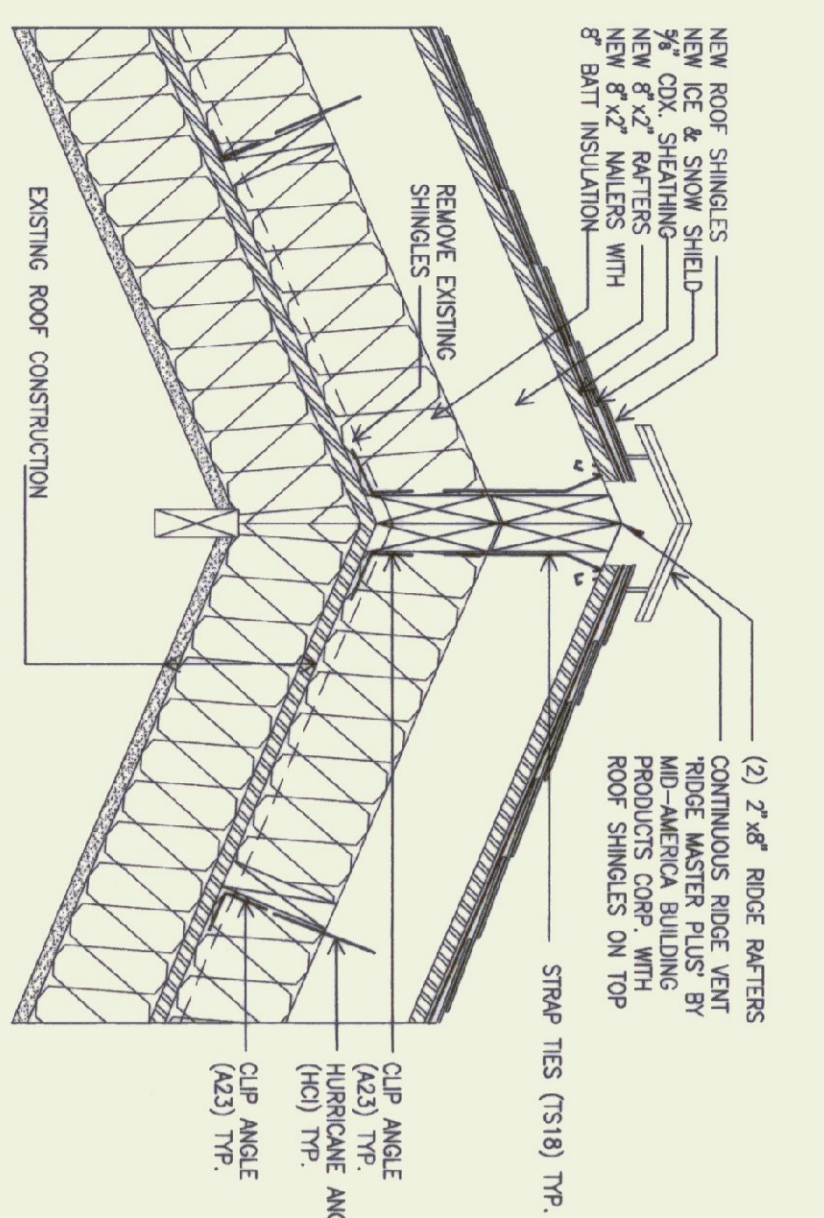
2 BEAM POCKET DETAIL
SCALE: 1" = 1'-0"

3 RIDGE BEAM REINFORCEMENT
SCALE: 1-1/2" = 1'-0"

4 ASPHALT PAVEMENT
SCALE: 1" = 1'-0"

5 SITE - PRECAST PAVERS
SCALE: 1" = 1'-0"

6 SITE - PRECAST PAVERS PATTERN
SCALE: 1" = 1'-0"



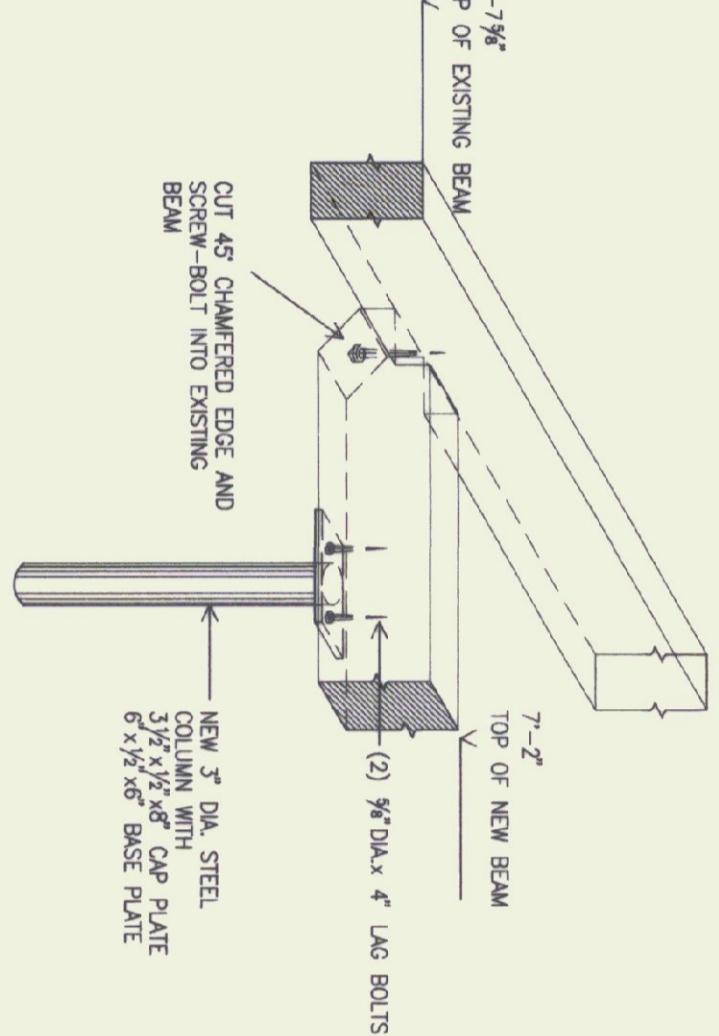
9 TYPICAL ROOF VALLEY
SCALE: 1" = 1'-0"

10 DETAIL AT EXG / NEW ROOF
SCALE: 1" = 1'-0"

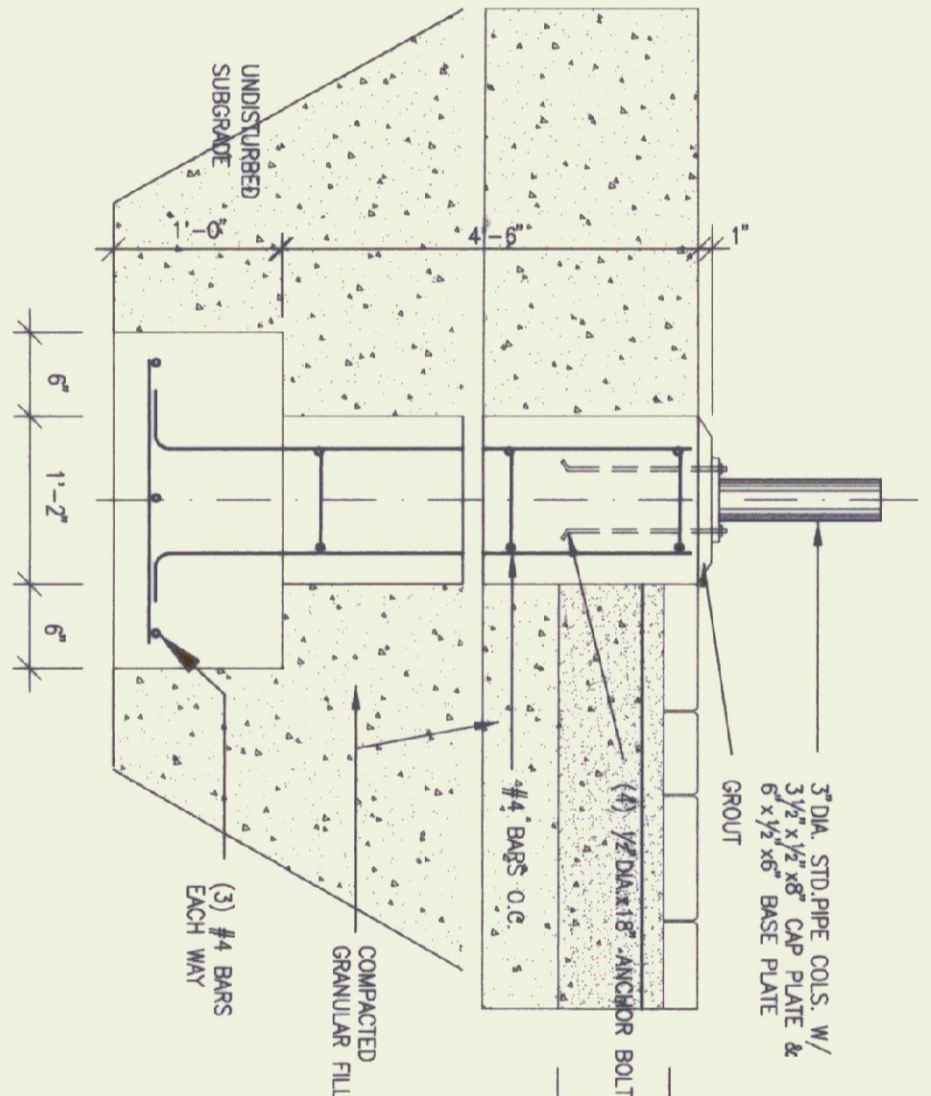
11 ROOF SECTION CLEVERSTORY WINDOWS
SCALE: 1" = 1'-0"

7 TYPICAL ROOF RIDGE
SCALE: 1" = 1'-0"

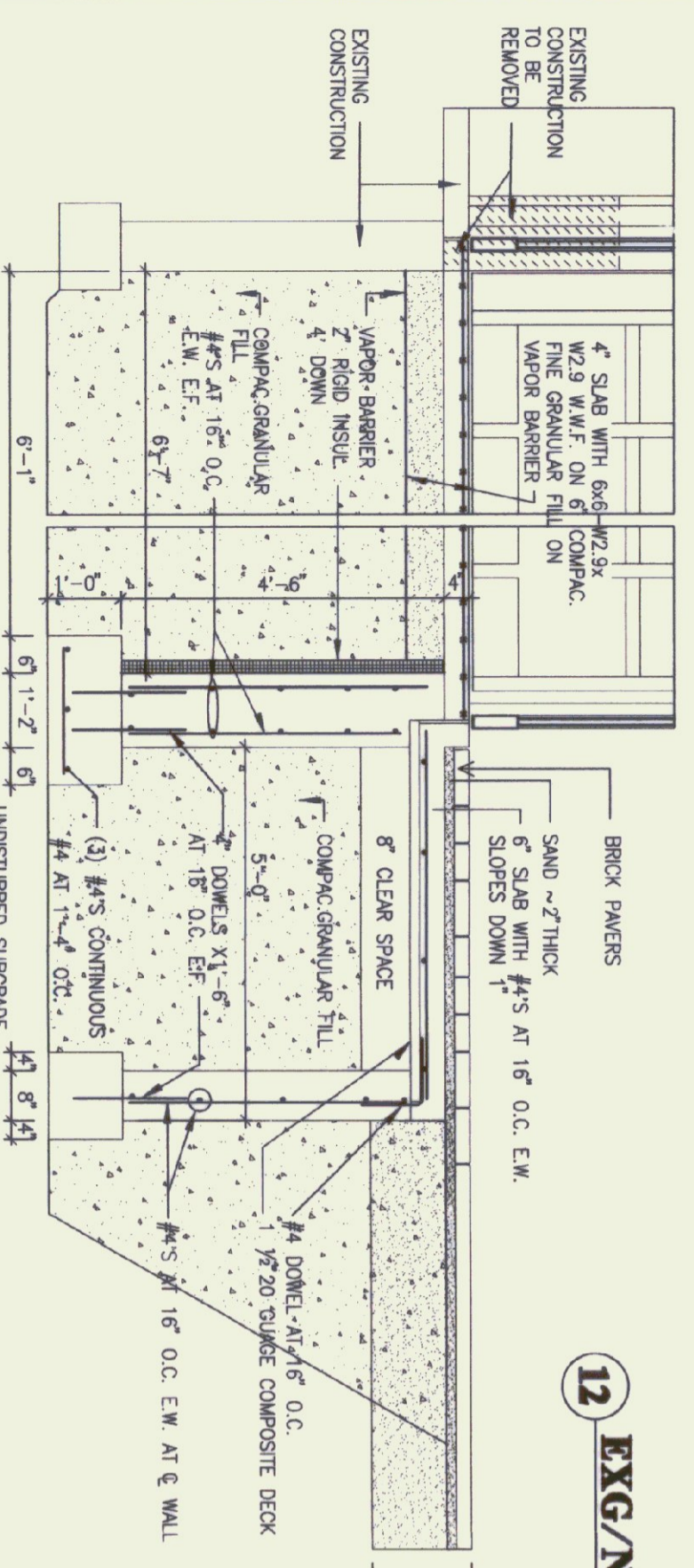
8 TYPICAL ROOF EAVE
SCALE: 1" = 1'-0"



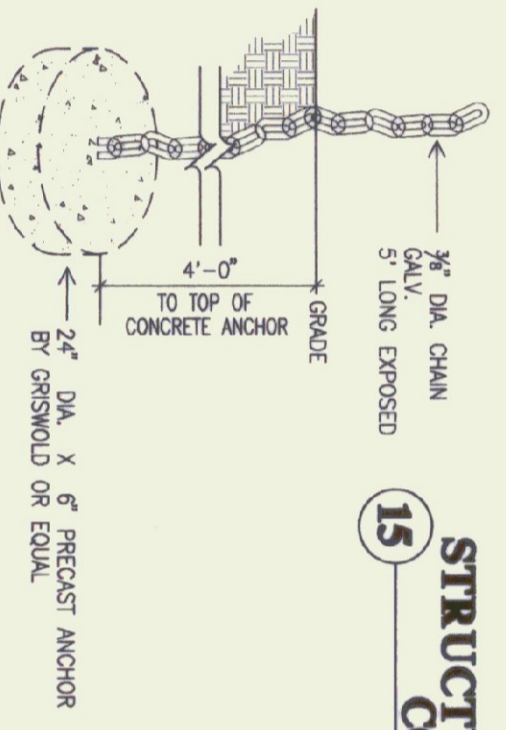
12 DETAIL ISOMETRIC EXG/NEW HEADER AT PORTICO
SCALE: 1" = 1'-0"



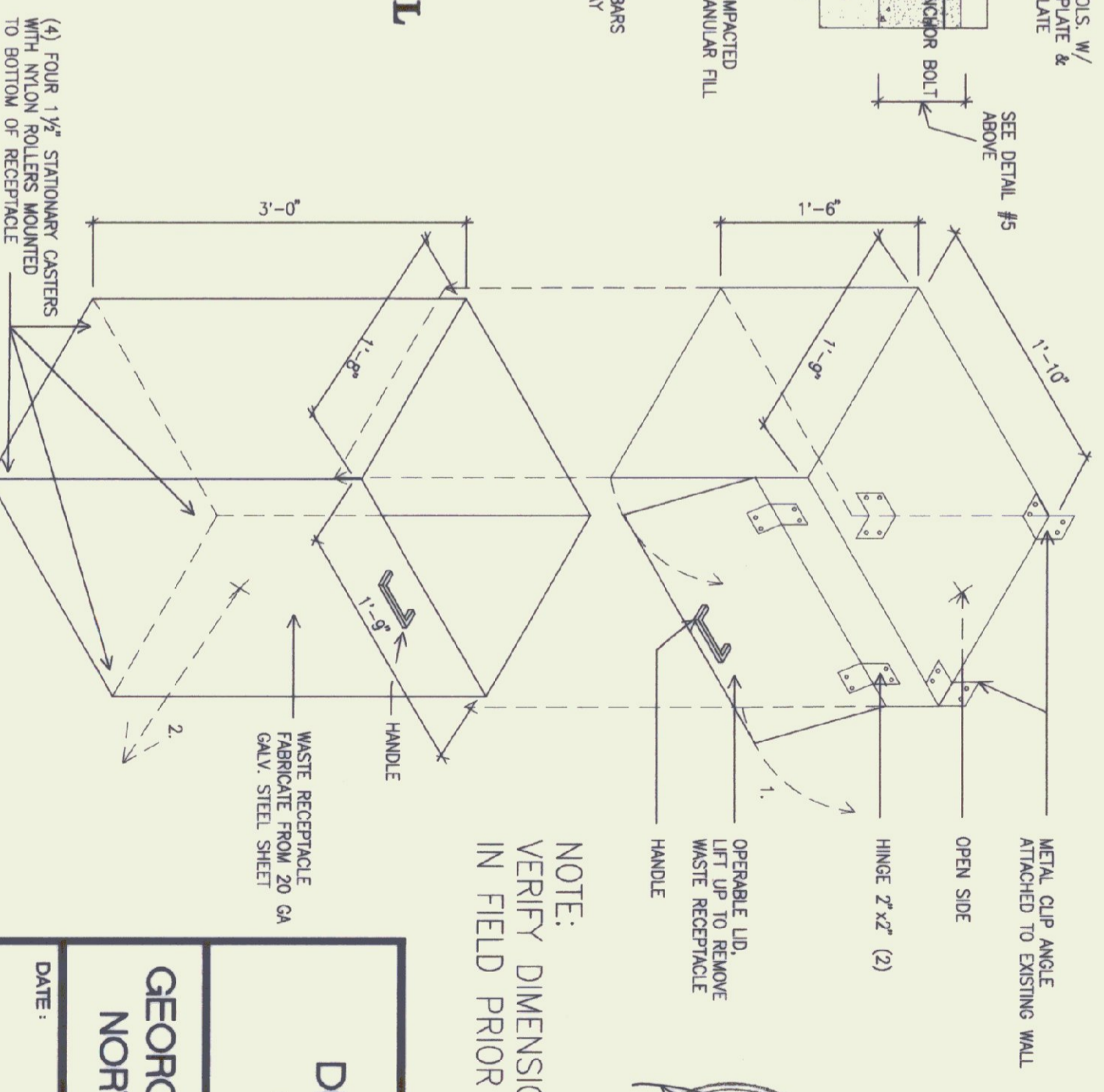
15 STRUCTURAL FOUNDATION COLUMN BASE DETAIL
SCALE: 1" = 1'-0"



13 STRUCTURAL FOUNDATION DETAIL EXISTING / NEW
SCALE: 1 1/2" = 1'-0"

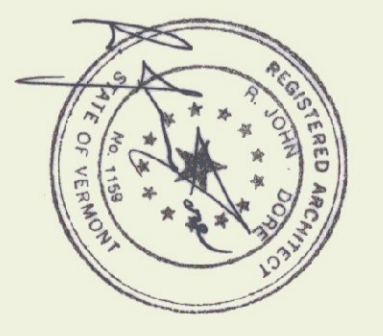


14 CONCRETE ANCHOR FOR PICNIC TABLE AND BENCHES
SCALE: 1 1/2" = 1'-0"



16 WASTE RECEPTACLE DETAILS
SCALE: 1" = 1'-0"

NOTE:
VERIFY DIMENSIONS FOR WASTE RECEPTACLE
IN FIELD PRIOR TO FABRICATION



STATE OF VERMONT
DEPARTMENT OF BUILDINGS
AND GENERAL SERVICES
AGENCY OF ADMINISTRATION
MANAGER, VERMONT

GEORGIA INTERSTATE 89 REST AREAS
NORTHBOUND AND SOUTHBOUND

DATE:	SCALE:	DRAWING NAME:
AUGUST 21, 1998	AS NOTED	MISCELLANEOUS DETAILS
DRAWN BY:	PROJECT NO.:	DRAWING NO.:
MSB	MA 089-3 (00)	A-3.4
CHECKED BY:		
JBA		