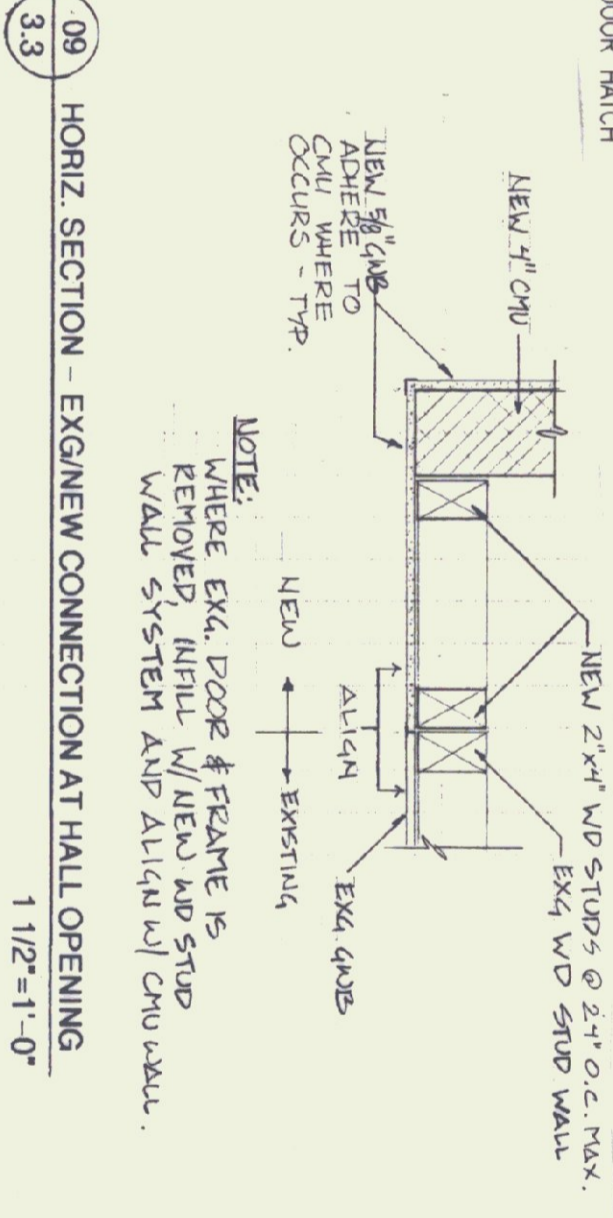
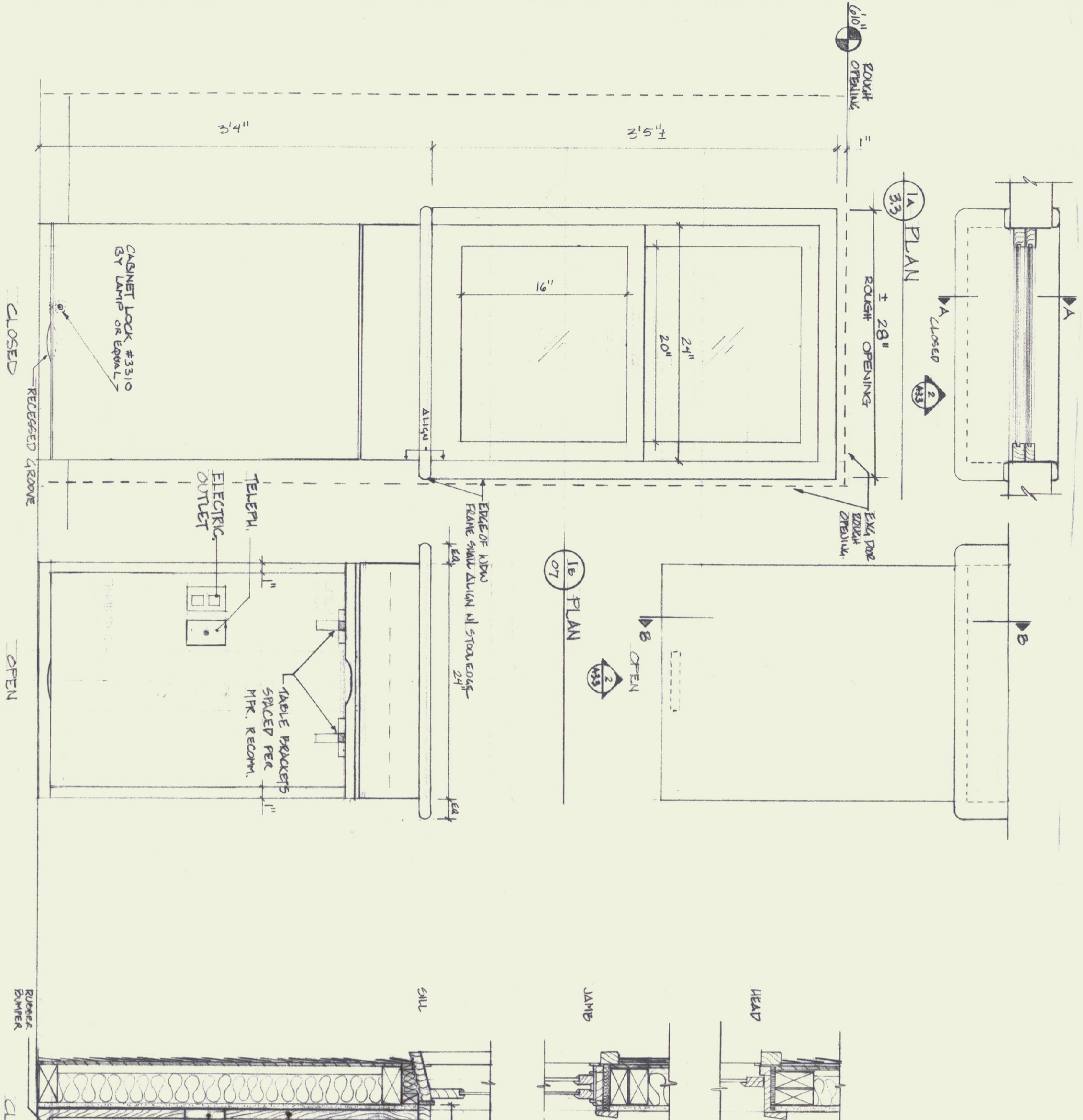


DOOR SCHEDULE											
DOOR #	DOOR TYP	DOOR MAT	DOOR W	DOOR H	FRAME MAT	FRAME HEAD	JAMB	INTEL THR	LABEL	GROUP	REMARKS
101	EXISTING TO BE REMOVED										(EXG. ENTRY DOOR)
102	EXISTING TO BE REMOVED										(EXG. ENTRY DOOR)
103	EXISTING TO BE REMOVED										
104	EXISTING TO BE REMOVED										
201	A	AL	3'-0"	6'-8"	AL	02/3/5	*	03/3/5	--	*	SEE SECTION 08400
202	A	AL	3'-0"	6'-8"	AL	*	*	05/3/5	--	*	SEE SECTION 08400
203	EXISTING TO REMAIN										
204	EXISTING TO REMAIN										
205	B	HM	2'-6"	6'-8"	HM	04/3/3	04/3/3	--	--	2	
206	B	HM	3'-0"	6'-8"	HM	08/3/3	07/3/3	YES	--	1	
207	C	HM	3'-0"	6'-8"	HM	06/3/3	05/3/3	YES	12/3/5	C	2
208	B	HM	3'-6"	6'-8"	HM	11/3/3	10/3/3	--	--	--	PROVIDE 6"X6" ONE WAY LITE CENTERED @ 5'-0" A.F.F.
209	D	HM	2'-0"	4'-0"	HM	--	--	--	--	--	MFR. PROVIDES FRAME AND HOUR
210	D	HM	2'-0"	2'-0"	HM	--	--	--	--	--	MFR. PROVIDES FRAME AND HOUR

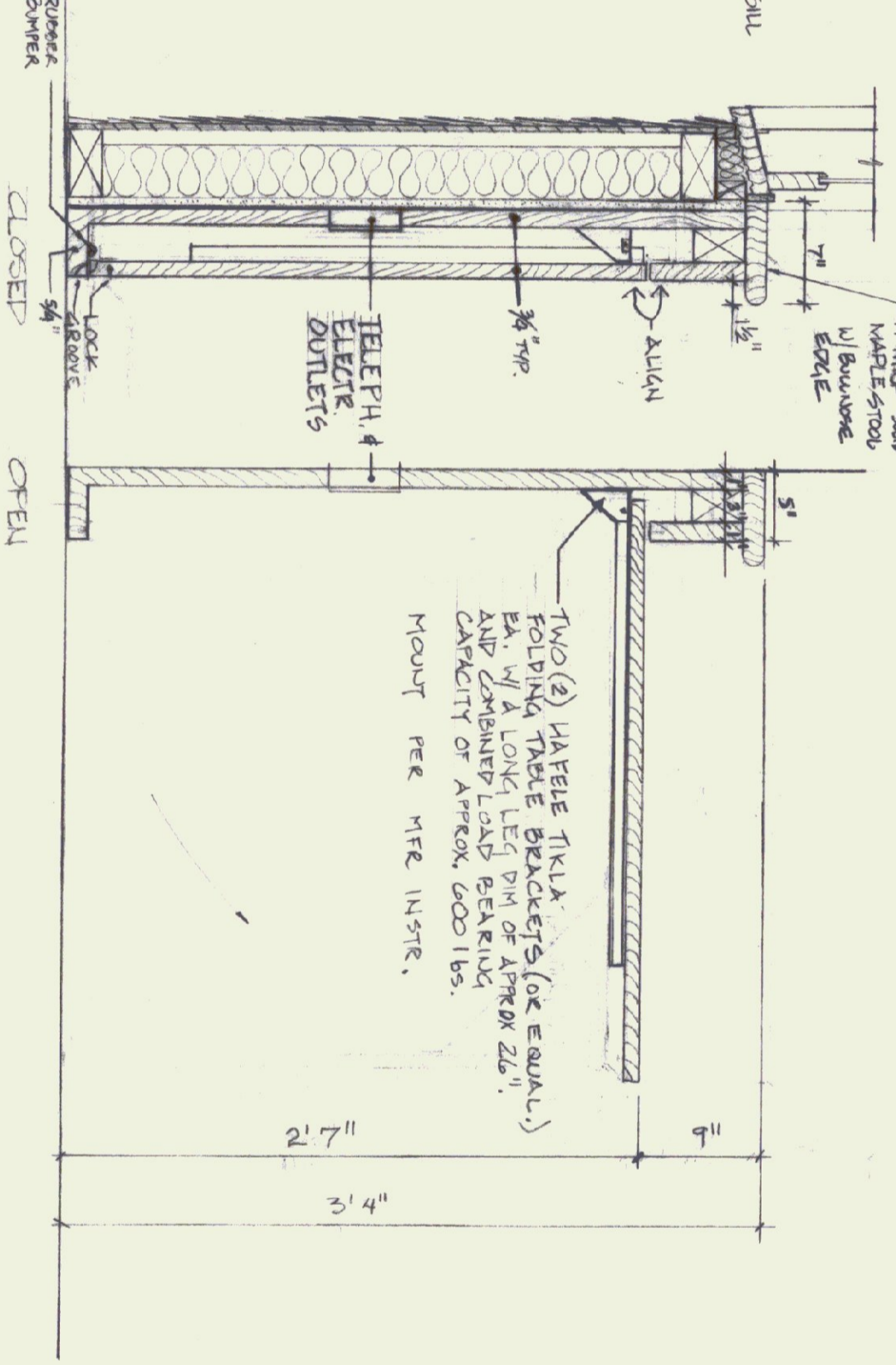
DOOR TYPES:
 TYPE A: SEE ELEVATIONS
 TYPE B: FLUSH HOLLOW METAL
 TYPE C: FLUSH HM WITH 6"X6" ONEWAY LITE
 TYPE D: ACCESS DOOR HATCH



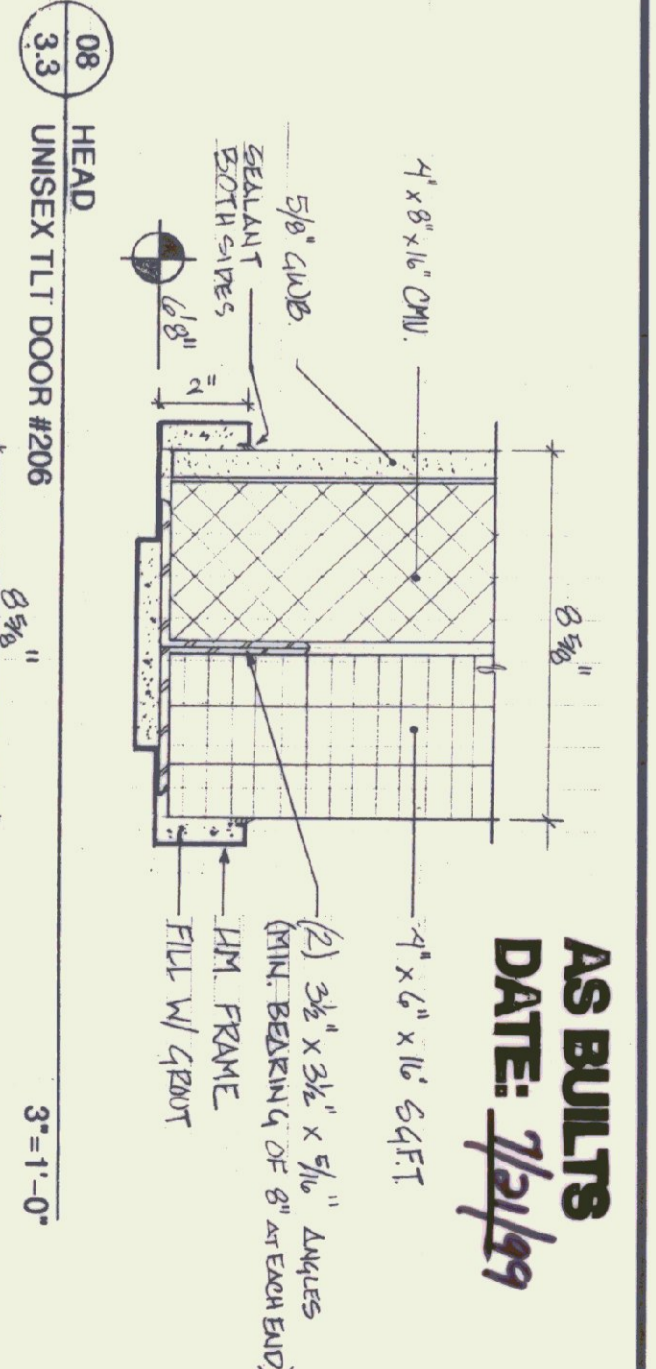
NOTES:
 1. AT ALL WOOD FASTENING LOCATIONS - COUNTERSINK SCREWS & NAILS.
 2. ROUGH OPENING OF NEW WOOD SILLU. FIT INTO EX. ROUGH OPENING.
 3. IN MANUFACTURING THIS DESK, KEEP IN MIND THAT IT SHOULD BE AS VERSATILE AS POSSIBLE.
 4. WINDOWS SHALL BE DOUBLE-HUNG (WOOD) WITH A CLASS SIZE OF 20x30".
 5. ALL CONSTRUCTION TO BE S.O.P. M.F.R. W/ CLEAR FIN. (UNLESS FINISH NOT ACCEPTED)



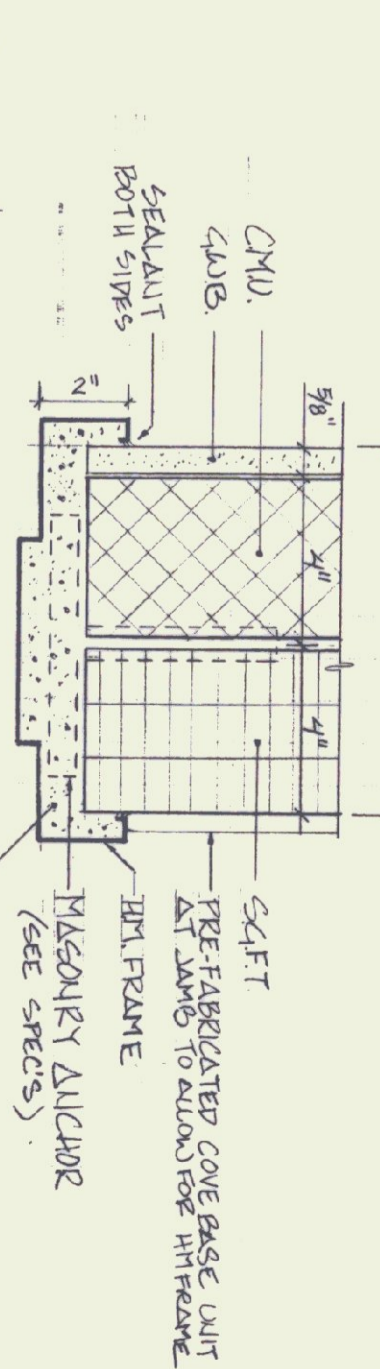
02 FRONT ELEVATION
 SCALE: 1/2" = 1'-0"



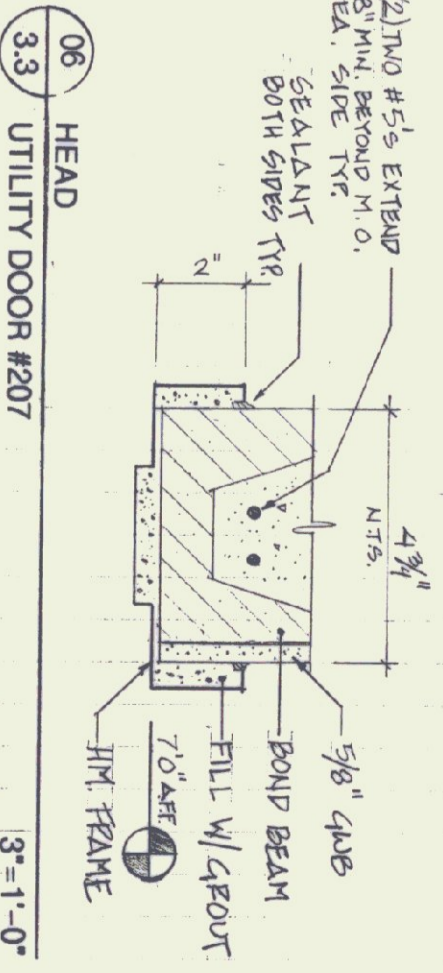
03 SECTION AA
 3/3 N.T.S.
 03 SECTION BB
 3/3 N.T.S.



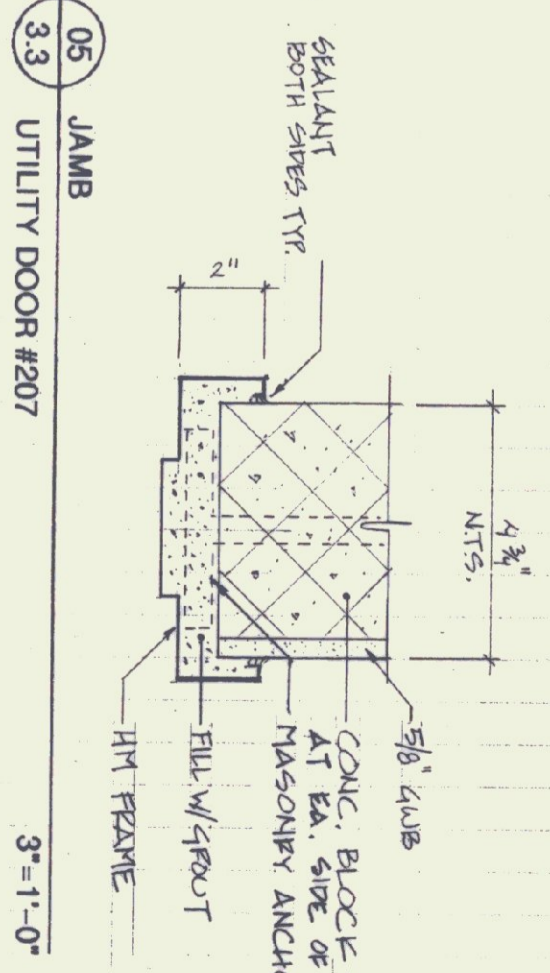
AS BUILTS
 DATE: 7/21/99



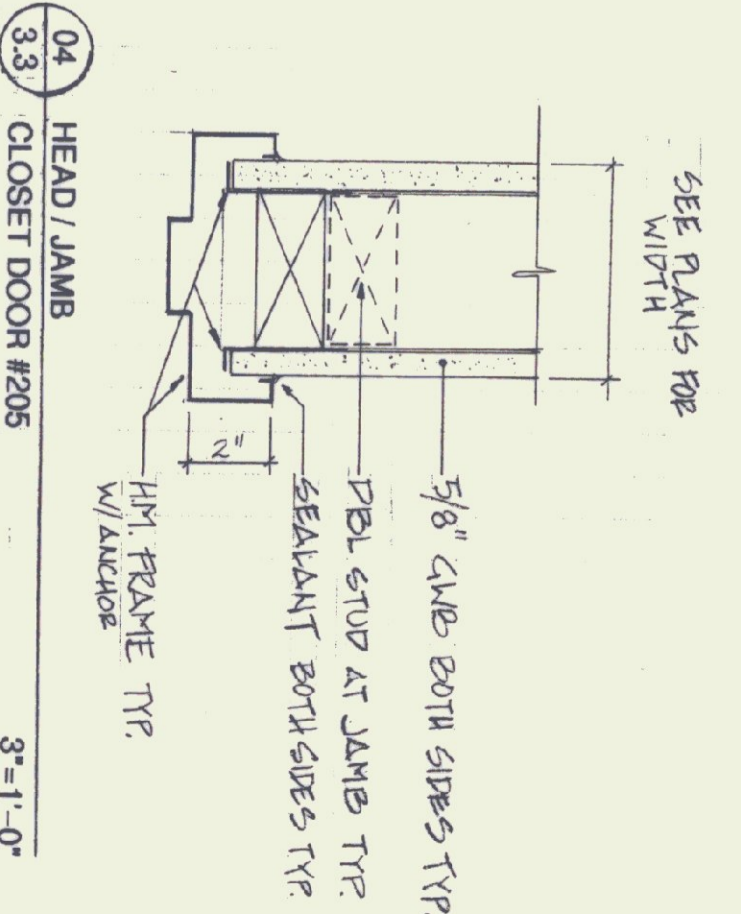
07 JAMB
 UNISEX TLT DOOR #206
 3'-1-0"



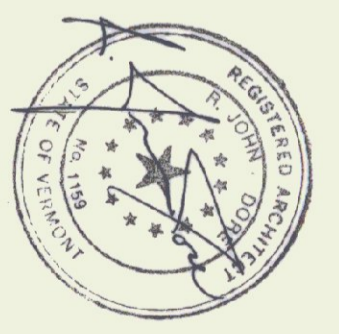
06 HEAD
 UTILITY DOOR #207
 3'-1-0"



05 JAMB
 UTILITY DOOR #207
 3'-1-0"



04 HEAD / JAMB
 CLOSET DOOR #205
 3'-1-0"



STATE OF VERMONT
 DEPARTMENT OF BUILDINGS
 AND GENERAL SERVICES
 AGENCY OF ADMINISTRATION
 MONTPELIER, VERMONT

GEORGIA INTERSTATE 89 REST AREAS
 NORTHBOUND AND SOUTHBOUND

DATE: AUGUST 21, 1998
 SCALE: AS NOTED
 DRAWN BY: MBS
 PROJECT NO.: M-089-9 (30)
 CHECKED BY: JBA

REVISIONS:
 DRAWING NAME: FOLDING TABLE / DOOR AND WINDOW SCHED.
 DRAWING NO.: A-3.3

FOLDING TABLE & WINDOW