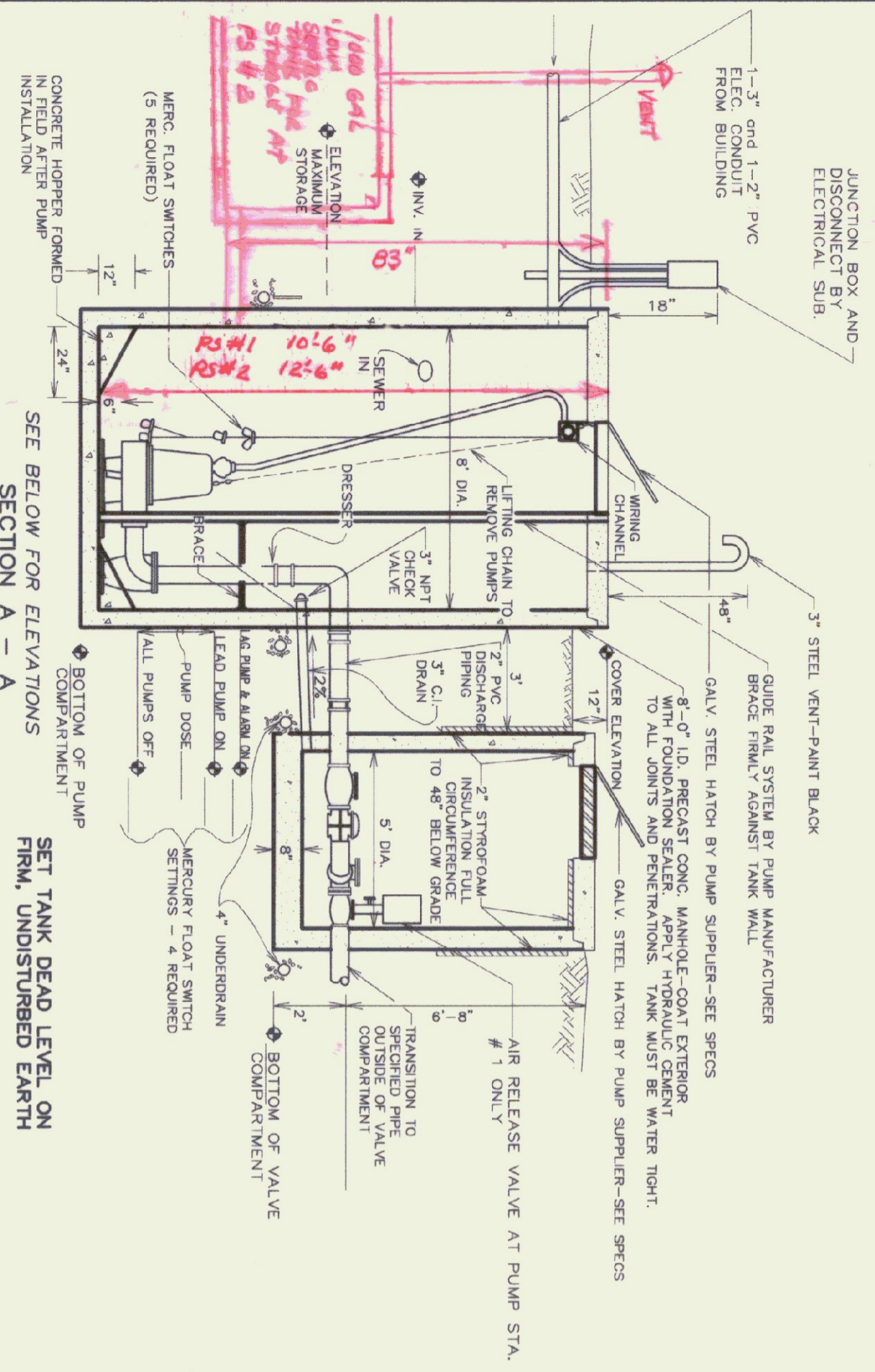


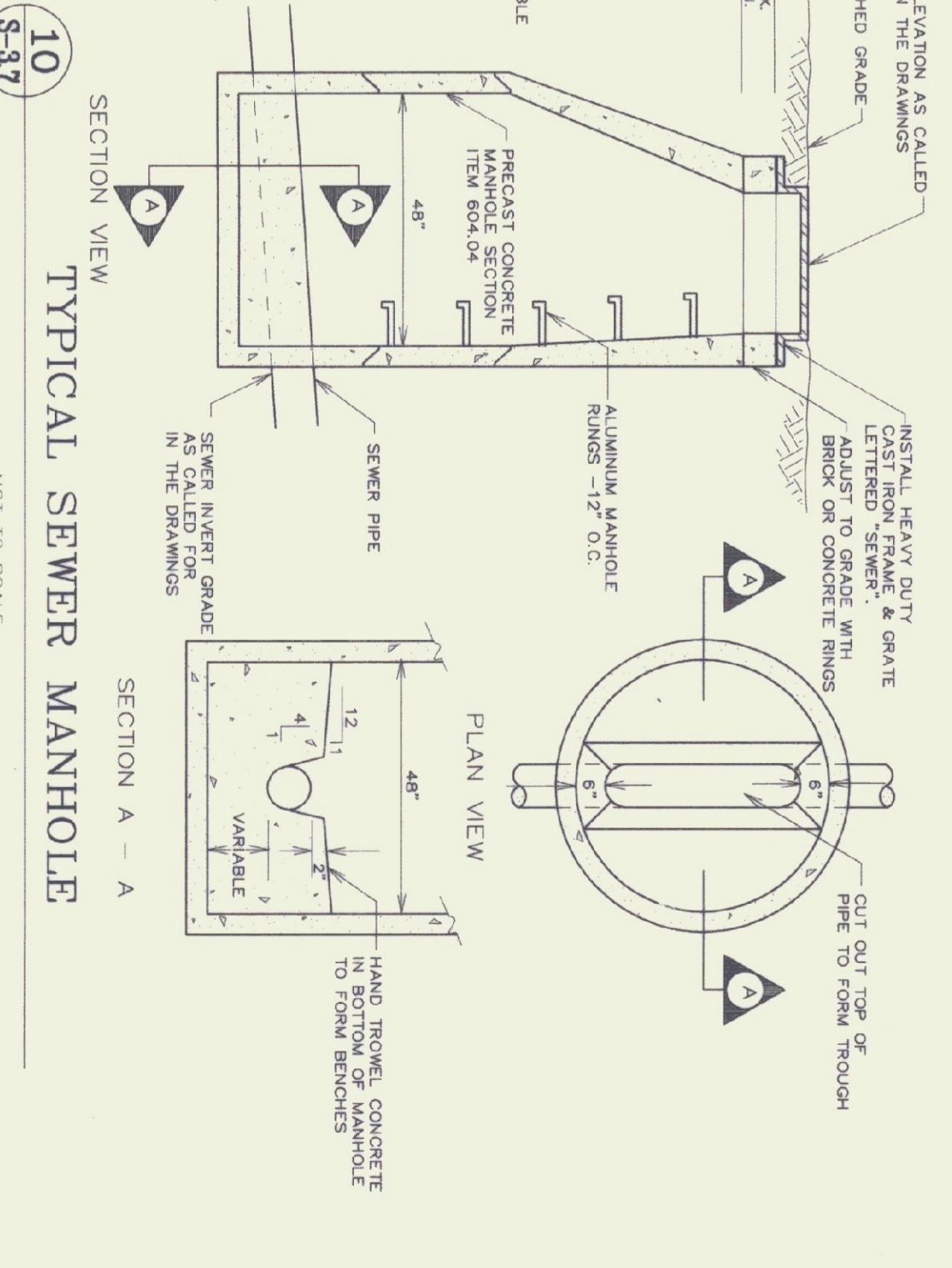
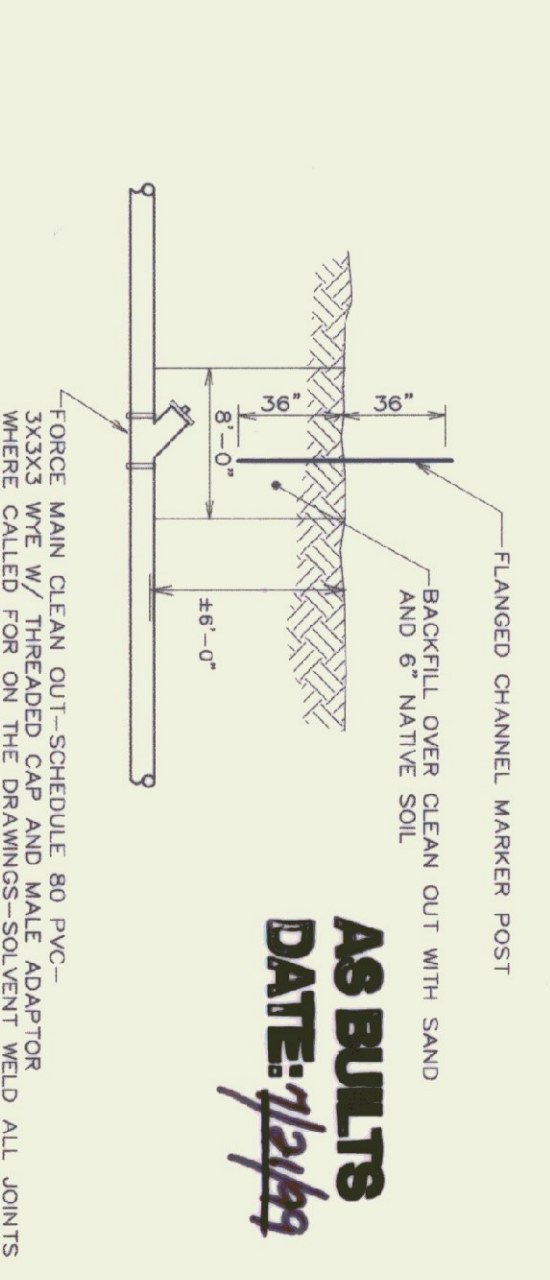
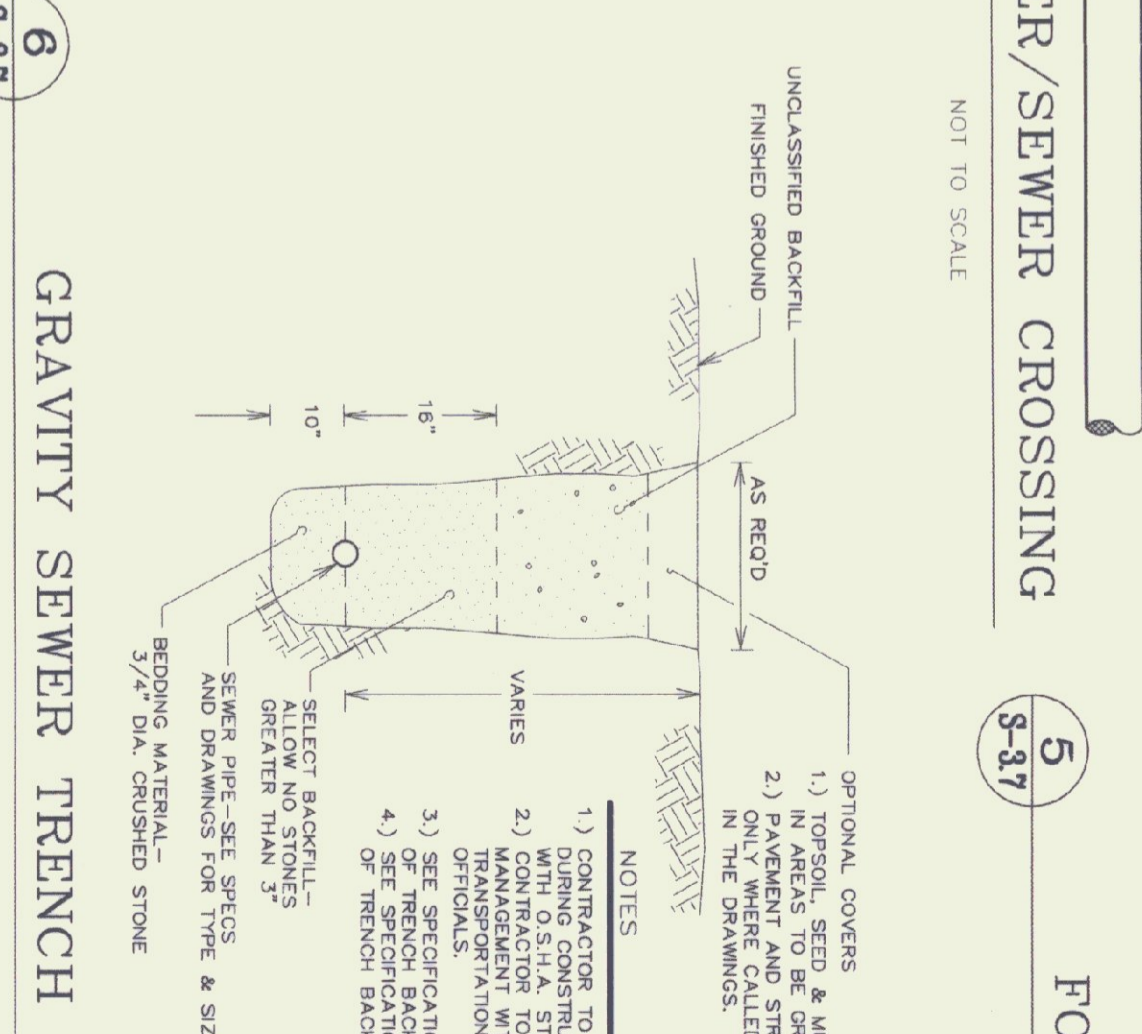
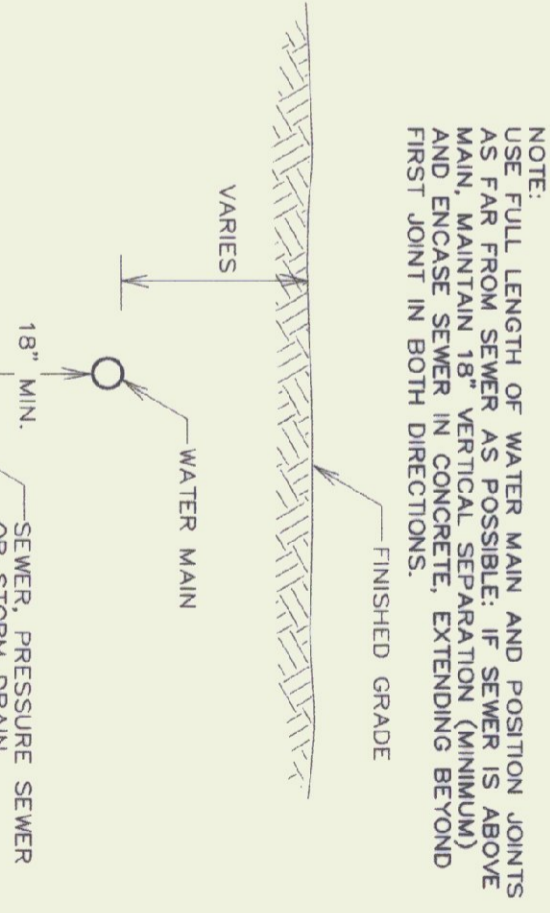
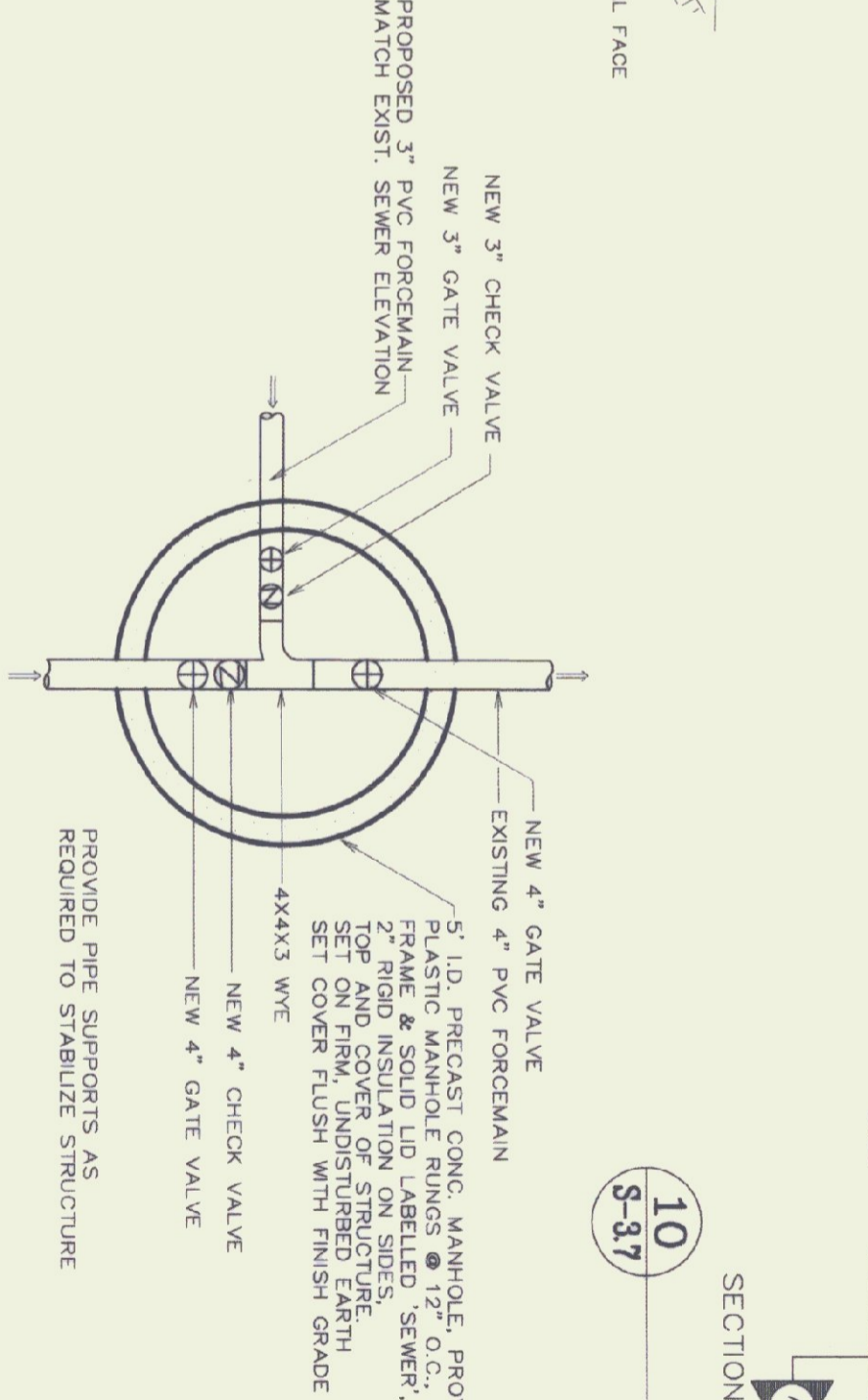
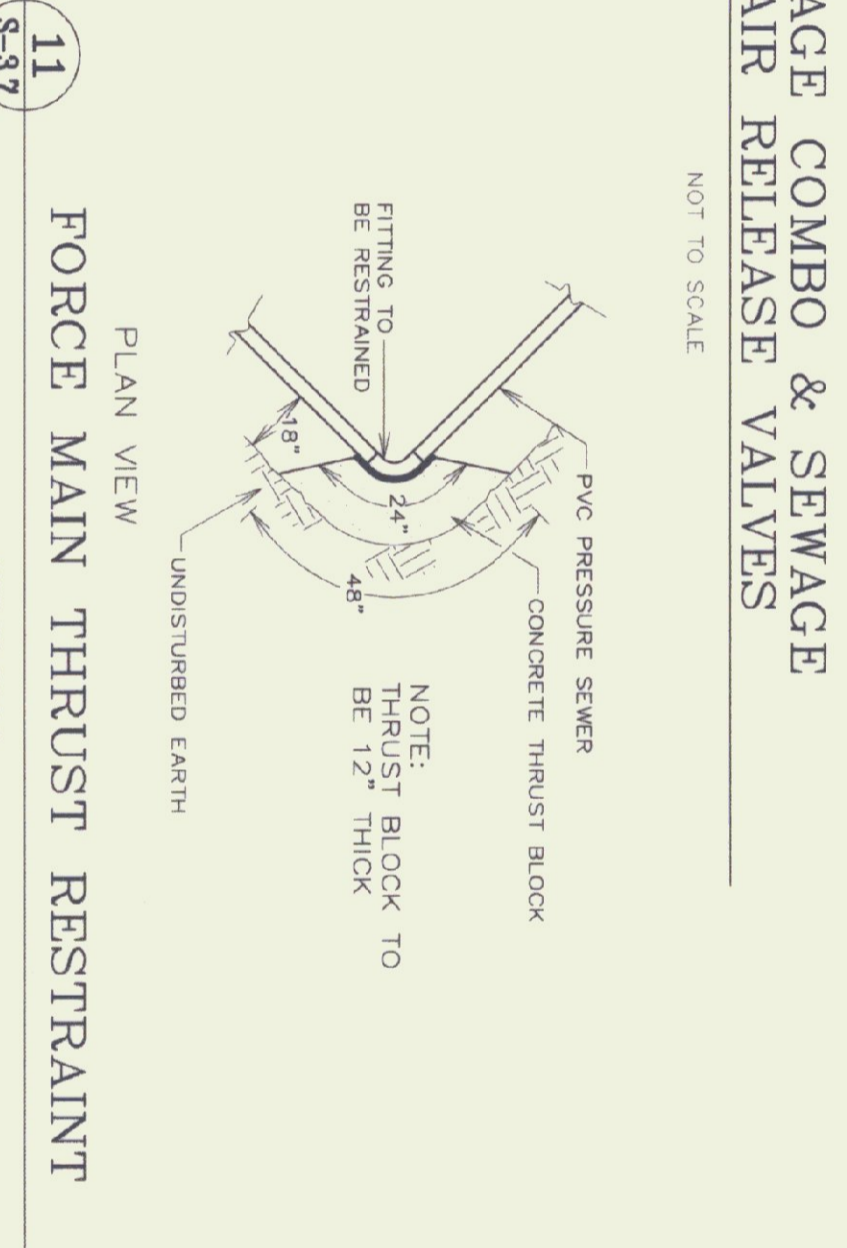
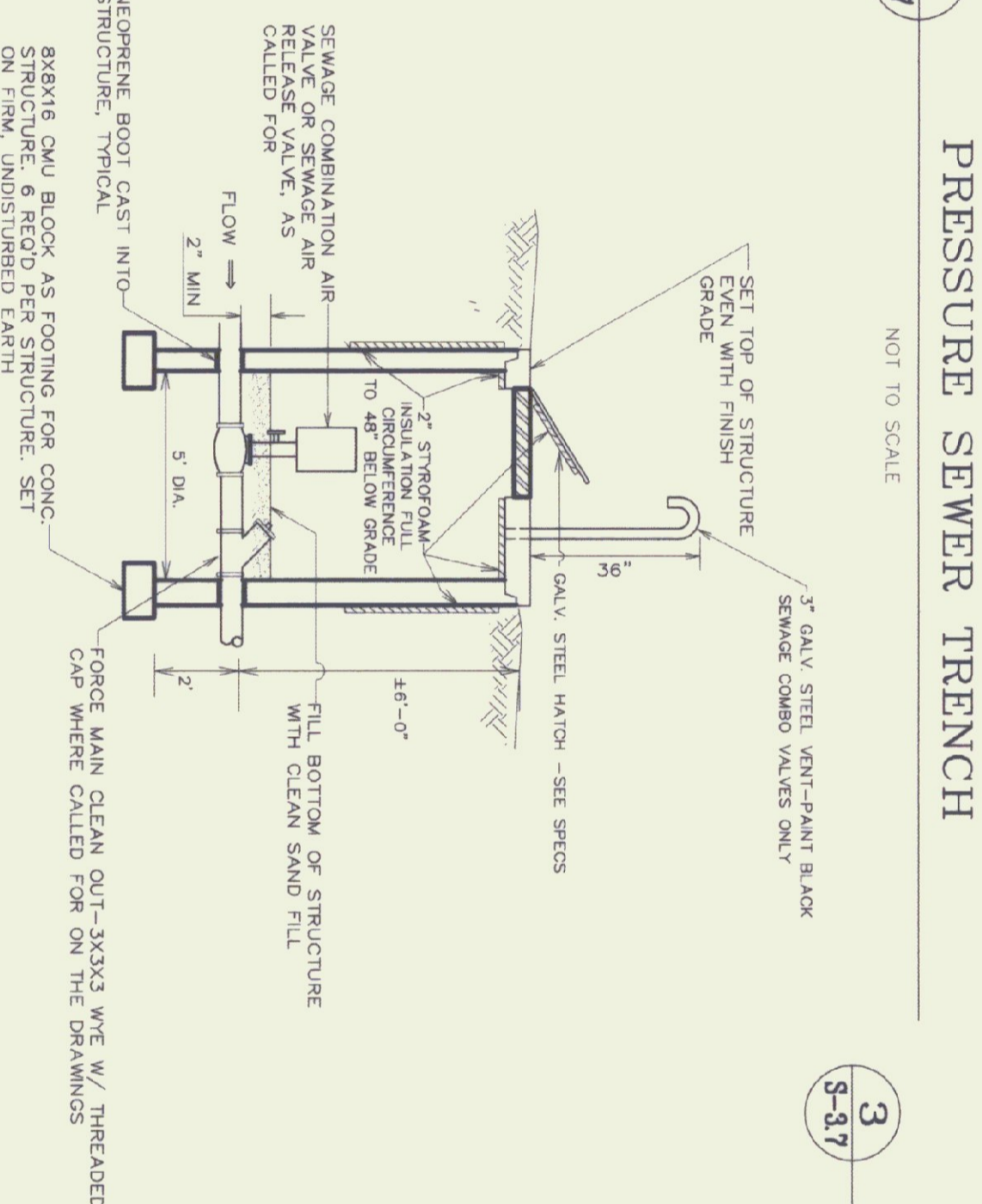
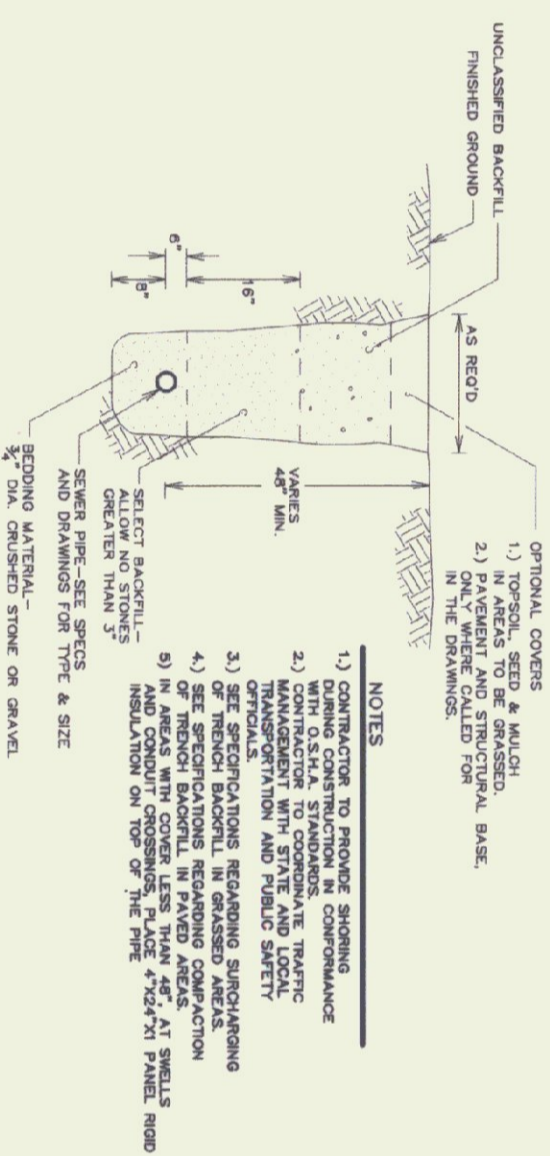
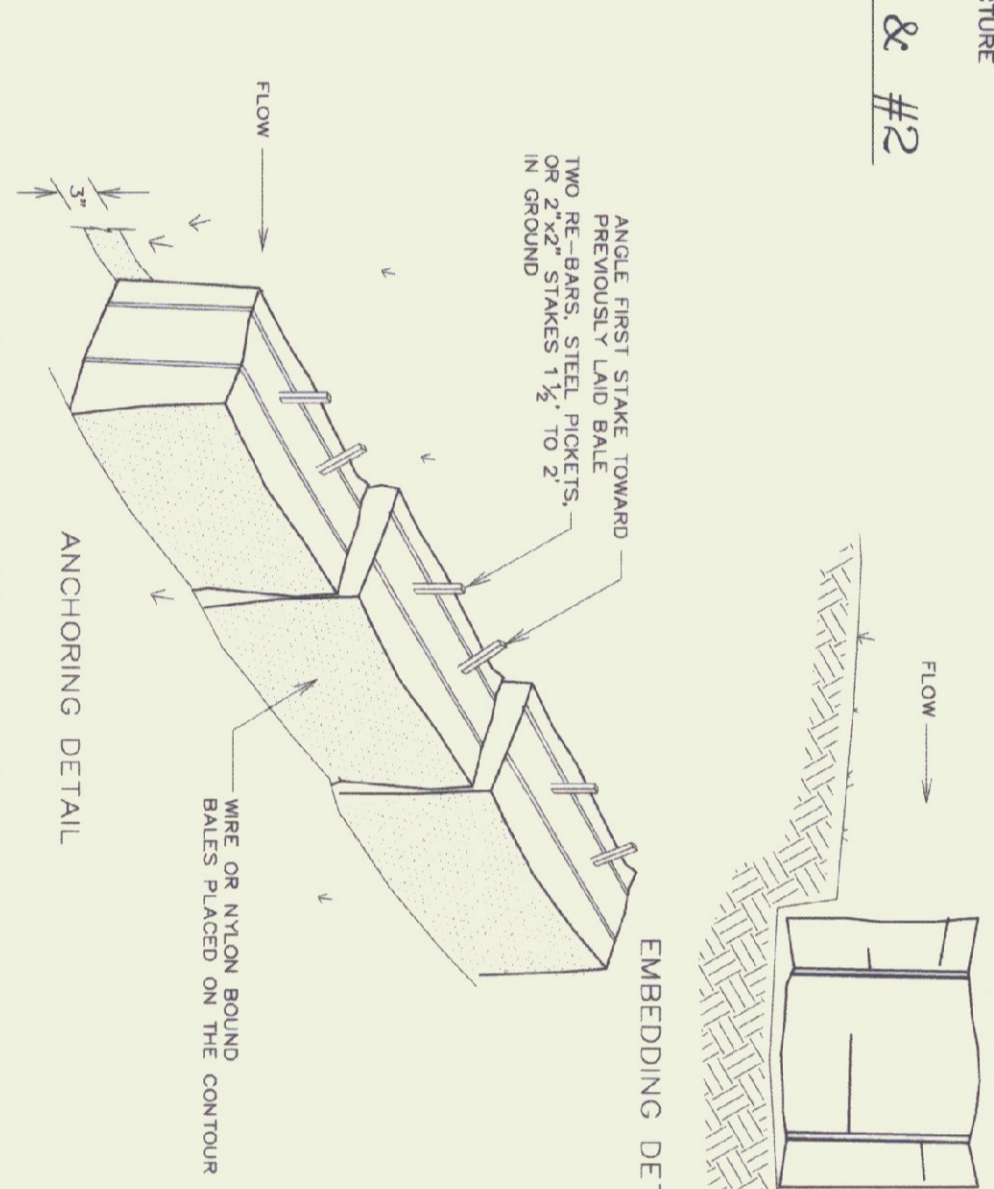
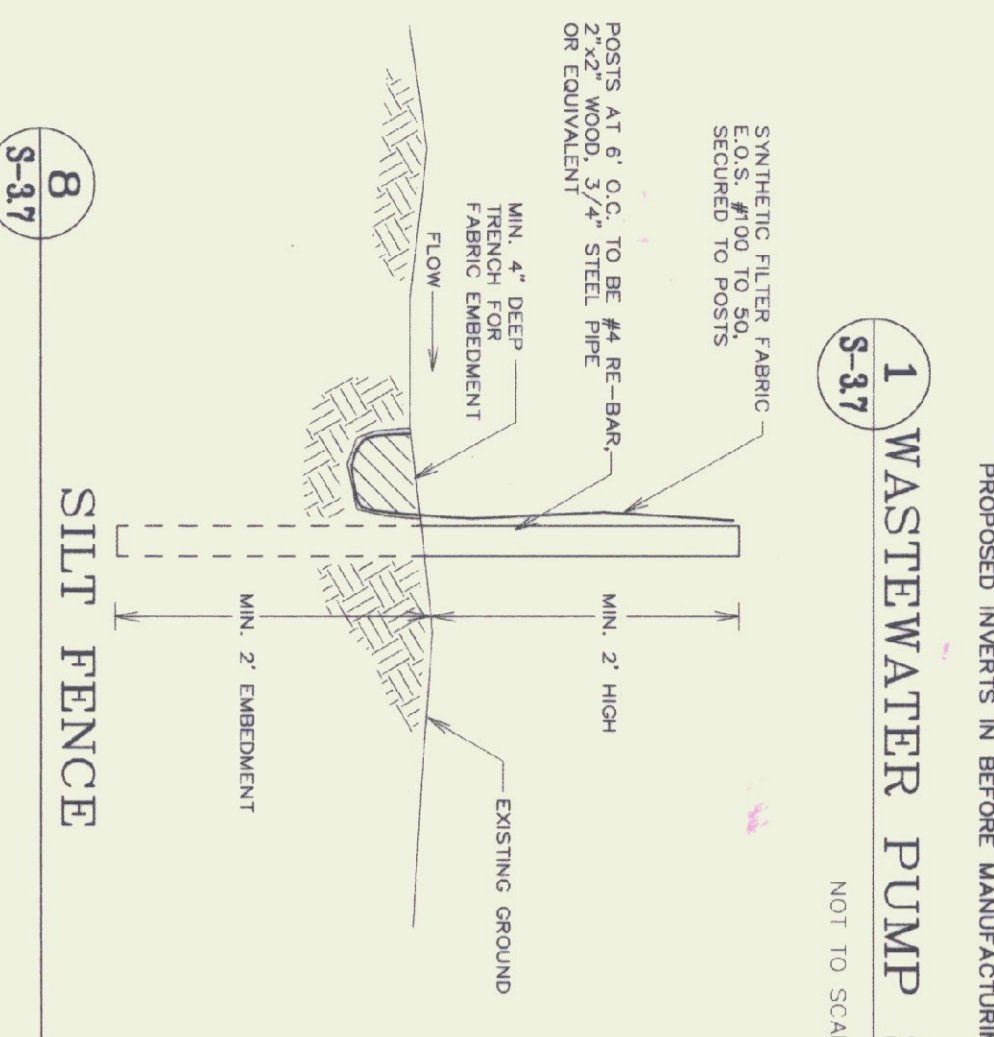
NOTE: CONTROL PANEL TO BE MOUNTED INSIDE BUILDING—SEE ELECTRICAL DRAWINGS



1 WASTEWATER PUMP STATIONS #1 & #2

CONTRACTOR SHALL SUPPLY ENGINEER WITH EXISTING SEWER GRASSES TO CORRESPONDING PROPOSED INVERTS IN BEFORE MANUFACTURING PUMP COMPARTMENT STRUCTURE

PUMP STATION #	BOTTOM OF PUMP COMP.	BOTTOM OF VALVE COMP. (PS & VC)	COVER ELEV. (PS & VC)	ALL PUMPS (Speed)	PUMP LEAD (ft)	LAG PUMP (ft)	INV. IN.	ELEV. MAX (ft)
614.67	640.00	644.00	653.00	641.50	1500	645.50	647.00*	647.00
620.50	629.50	618.17	1887	620.67	621.17	623.50+GS	623.50+PS	623.50



STATE OF VERMONT
 DEPARTMENT OF BUILDINGS
 AND GENERAL SERVICES
 AGENCY OF ADMINISTRATION
 WASHINGTON, VERMONT

GEORGIA INTERSTATE 89 REST AREAS
 NORTHBOUND AND SOUTHBOUND

DATE:	21 AUGUST 1998	SCALE:	AS NOTED	REVISIONS:	1	DRAWING NAME:	DETAILS
DRAWN BY:	WHP/BD	PROJECT NO.:	9704	CHECKED BY:	PHC	DRAWING NO.:	S-3.7