

**HEATING & VENTILATING LEGEND**

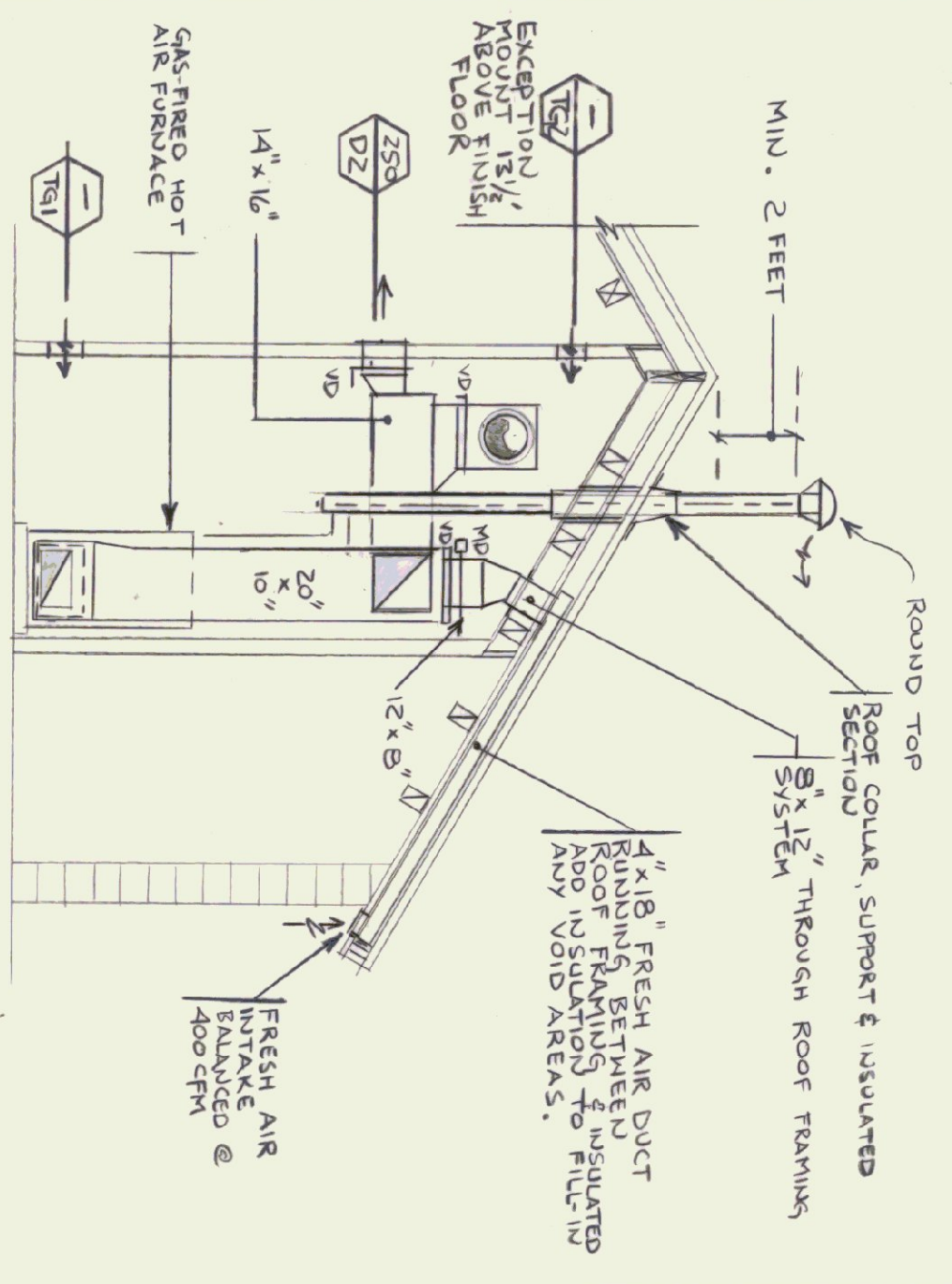
- AIR SUPPLY
- ← AIR EXHAUST OR RETURN
- VD - VOLUME DAMPER
- MD - MOTORIZED DAMPER
- AFF - ABOVE FINISH FLOOR TO CENTER LINE OF ITEM
- TRANSFER GRILLE
- THERMOSTAT
- GRILLE, DIFFUSER & REGISTER SYMBOL
- BALANCED CFM
- NO IN SCHEDULE

**EQUIPMENT SCHEDULE: FURNISH & INSTALL THE FOLLOWING:**

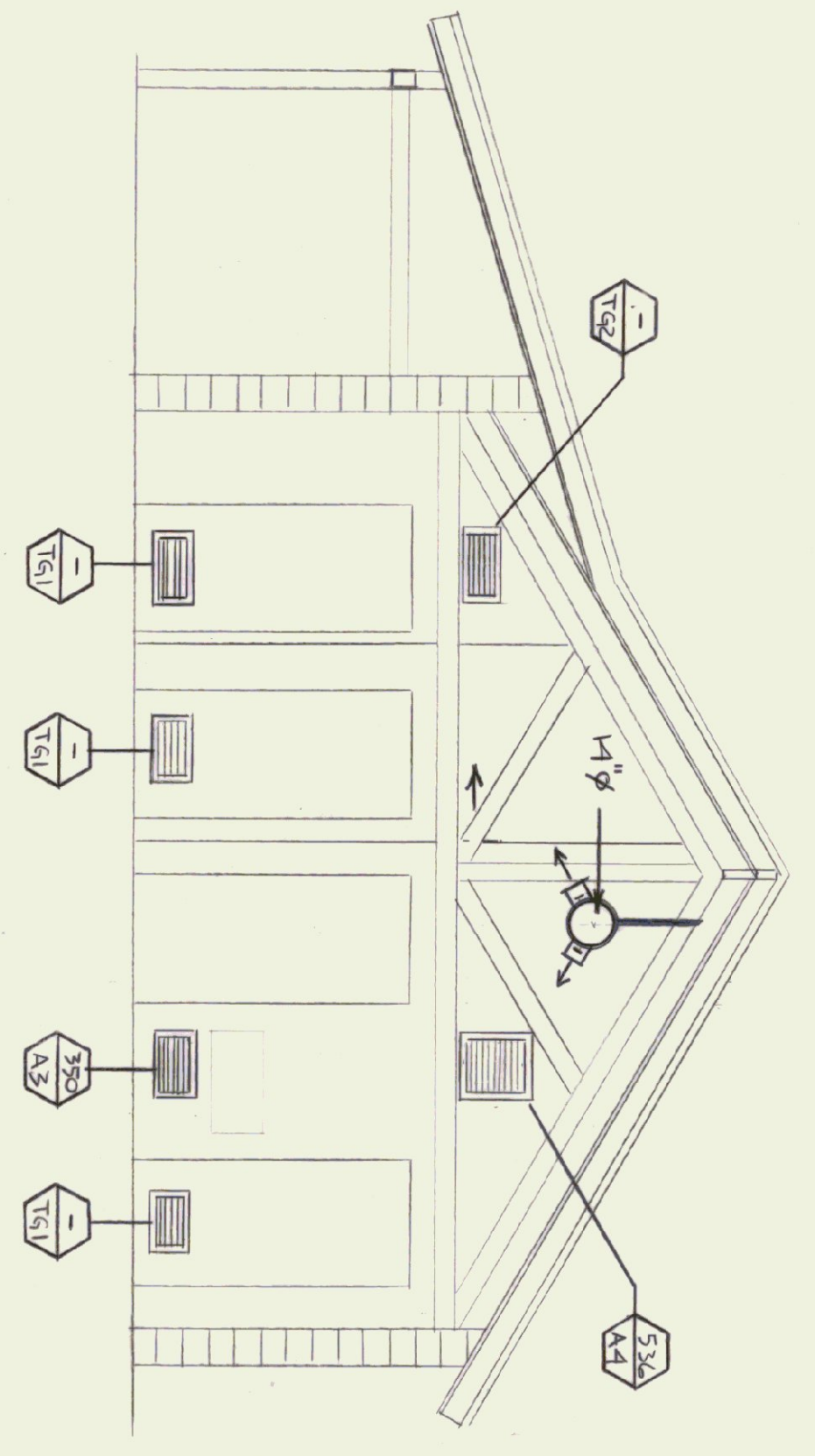
- GAS-FIRED HOT AIR FORNACE** - GAS-FIRED FURNACE RATED AT 75 MBH LPG INPUT 60 MBH OUTPUT 1236 CFM @ .5" STATIC PRESSURE 1/2 HP - 120 VOLT / SINGLE PHASE w/ 4 SPEED 4" FILTERS, UNIT MOUNTED HIGH SETTING w/ FRESH AIR INTAKE w/ VENT DAMPER & FILTERS, UNIT MOUNTED HIGH SETTING w/ FRESH AIR INTAKE w/ VENT DAMPER & FILTERS (SEE SPEC.)
- ROOF EXHAUST FAN** - BELT-DRIVE ROOF MOUNTED EXHAUST FAN w/ PITCH ROOF CURB RATED @ 314 CFM 3/8" SIP 1/4 HP MOTOR, 170 RPM WITH FAN HOUSING DISCONNECT SWITCH & MOTORIZED DAMPER, 1" BS MANUFACTURER BY GREENHECK MODEL NO 98-80-4 (SEE SPEC.)

NO.	MAKE AND MODEL NO.	MOUNTING HEIGHT TO CENTER	NECK SIZE	CROSSED BLADE DAMPER	CFM RANGE	AIR PATTERN	REMARKS	LETTER
A1	TITUS # 33 RL	8'-6"	12" x 8"	YES	100 - 150	38° DEFLEC.	ALL STEEL HEAVY DUTY	
A2	# 33 RL	8'-6"	10" x 8"	YES	45 - 92	38° DEFLEC.		
A3	# 30 RL	10' 11"	18" x 8"	YES	350 - 475	0° DEFLEC.		
A4	# 30 RL	9'-6"	18" x 18"	YES	500 - 850	0° DEFLEC.		
D1	# 272 RL	10'-6"	12" x 6"	YES	90 - 195	ROUPE DEFLECTION ADJUSTABLE	ALUMINIUM	
D2	# 272 RL	9'-0"	12" x 12"	YES	250 - 400			
D3	# 272 RL	11'-6" 1/2	18" x 6"	YES	170 - 250			
TG1	TRANSFER GRILLE # T-700	14"	18" x 8"	Y/A	-	SIGHT ROOF	ALL STEEL FLANGE & BOARD	
TG2	# T-700	9'-0"	18" x 8"	Y/A	-	SIGHT ROOF		

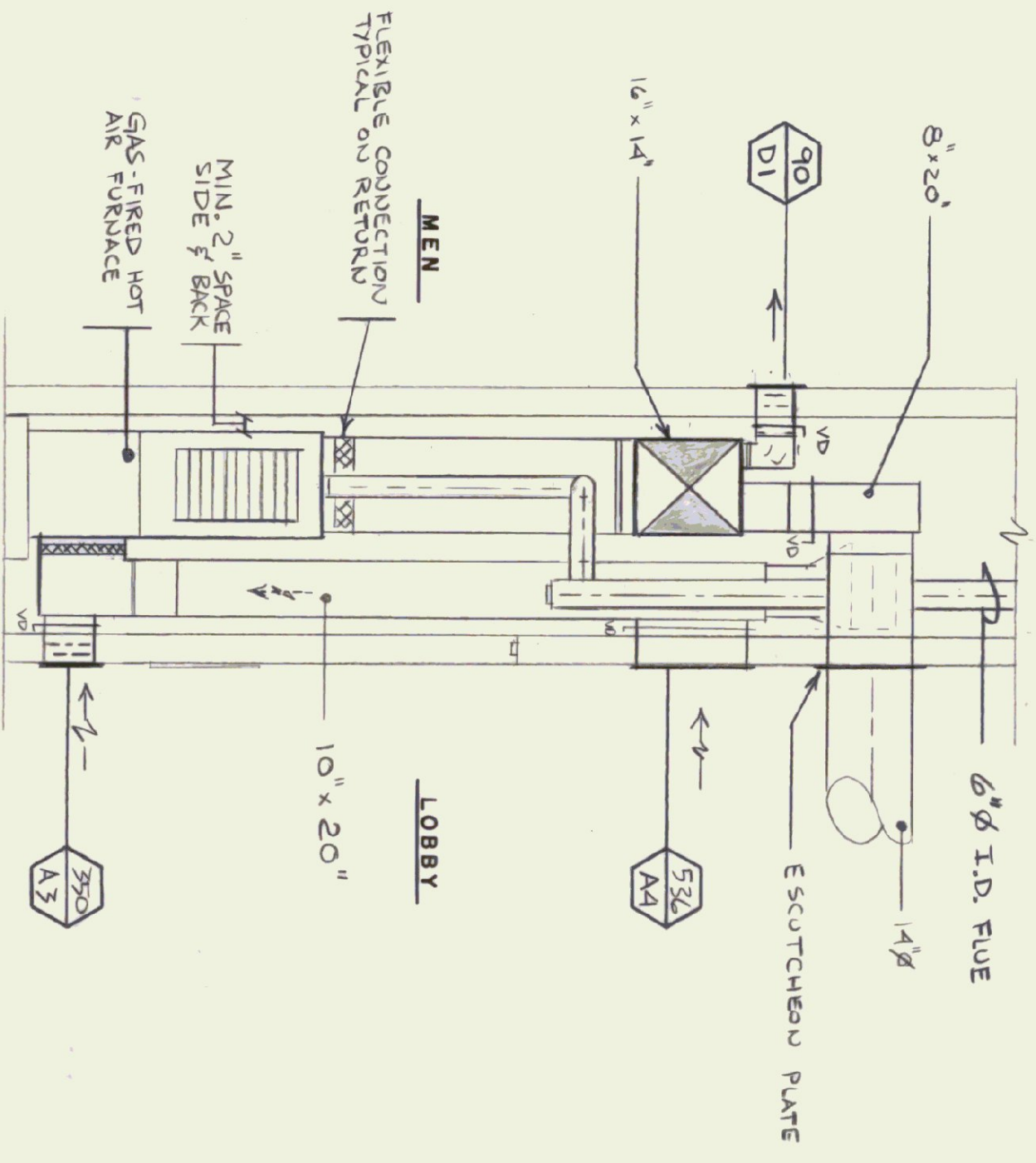
NOTE: MOUNTING HEIGHTS NOTED FROM FINISH FLOOR TO CENTER OF GRILLE.



SECTION 'C-C'  
SECTION 'C'-C'  
SCALE: 1/4" = 1'-0"



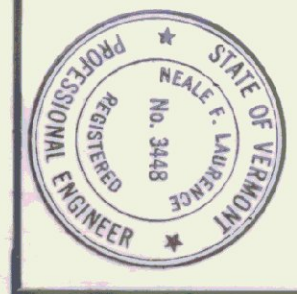
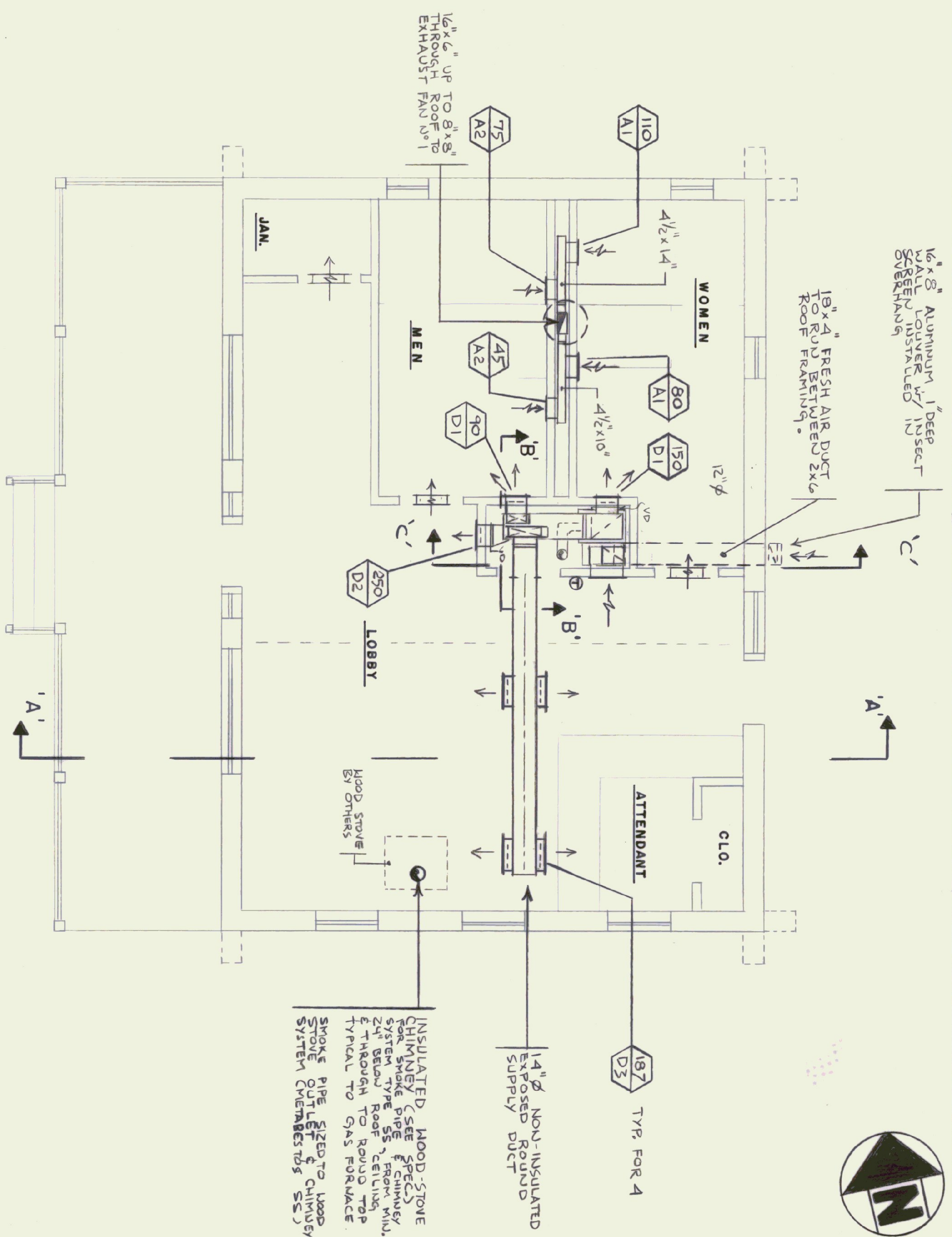
SECTION 'A-A' - 'A'  
SCALE: 1/4" = 1'-0"



SECTION 'B-B' - 'B'  
SCALE: 1/2" = 1'-0"

**HEATING & VENTILATING - FLOOR PLAN**

SCALE: 1/4" = 1'-0"



STATE OF VERMONT DEPARTMENT OF STATE BUILDINGS AGENCY OF ADMINISTRATION VERMONT	
ALBURG WELCOME CENTER	
ALBURG	
HEATING & VENTILATING - FLOOR PLAN, LEGEND, SECTIONS & NOTES	
DATE: 3-19-75	SCALE: AS NOTED
DRAWN BY: K.A.	PROJECT NO: NH 028-1(77)S
REVISIONS: 5-16-76	DWG. NO: HV-1
	12 OF 21