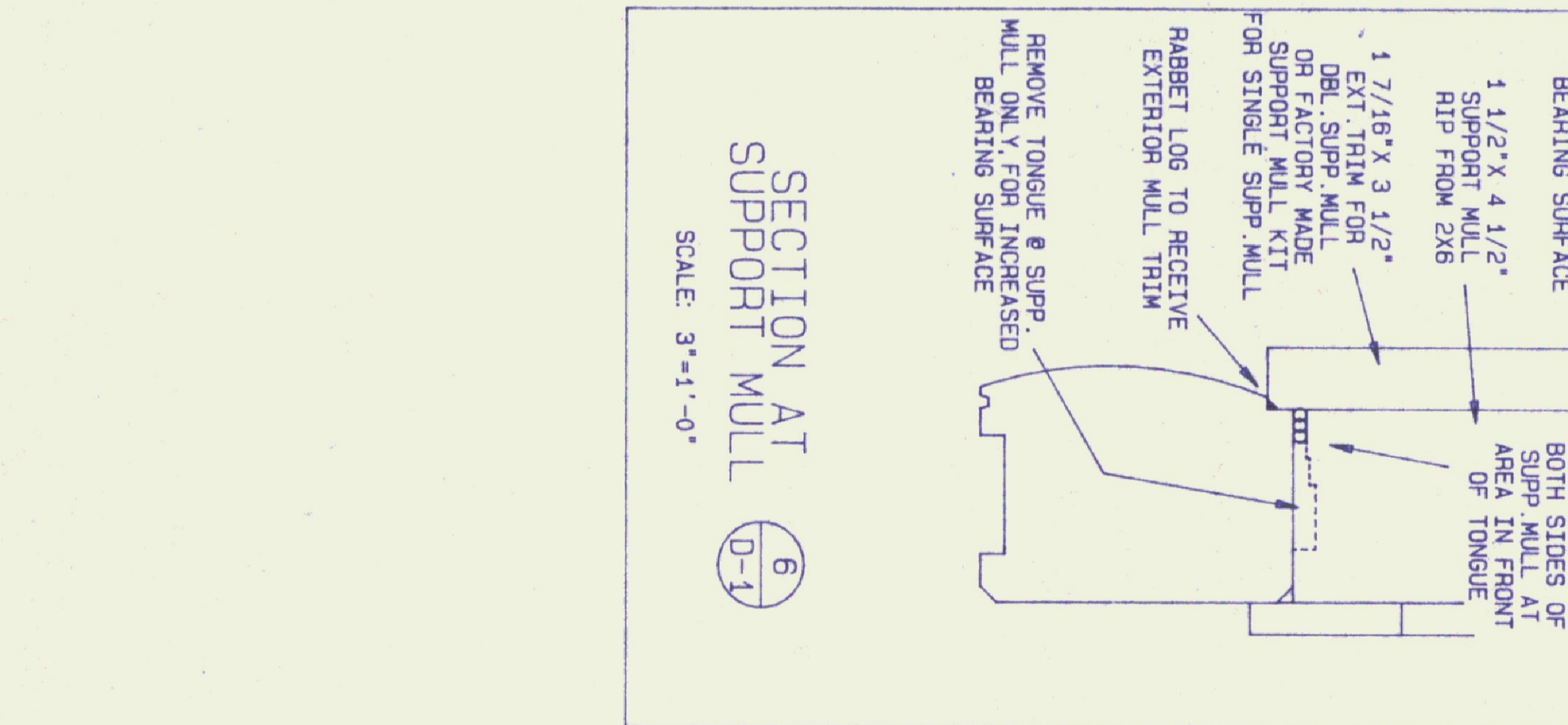
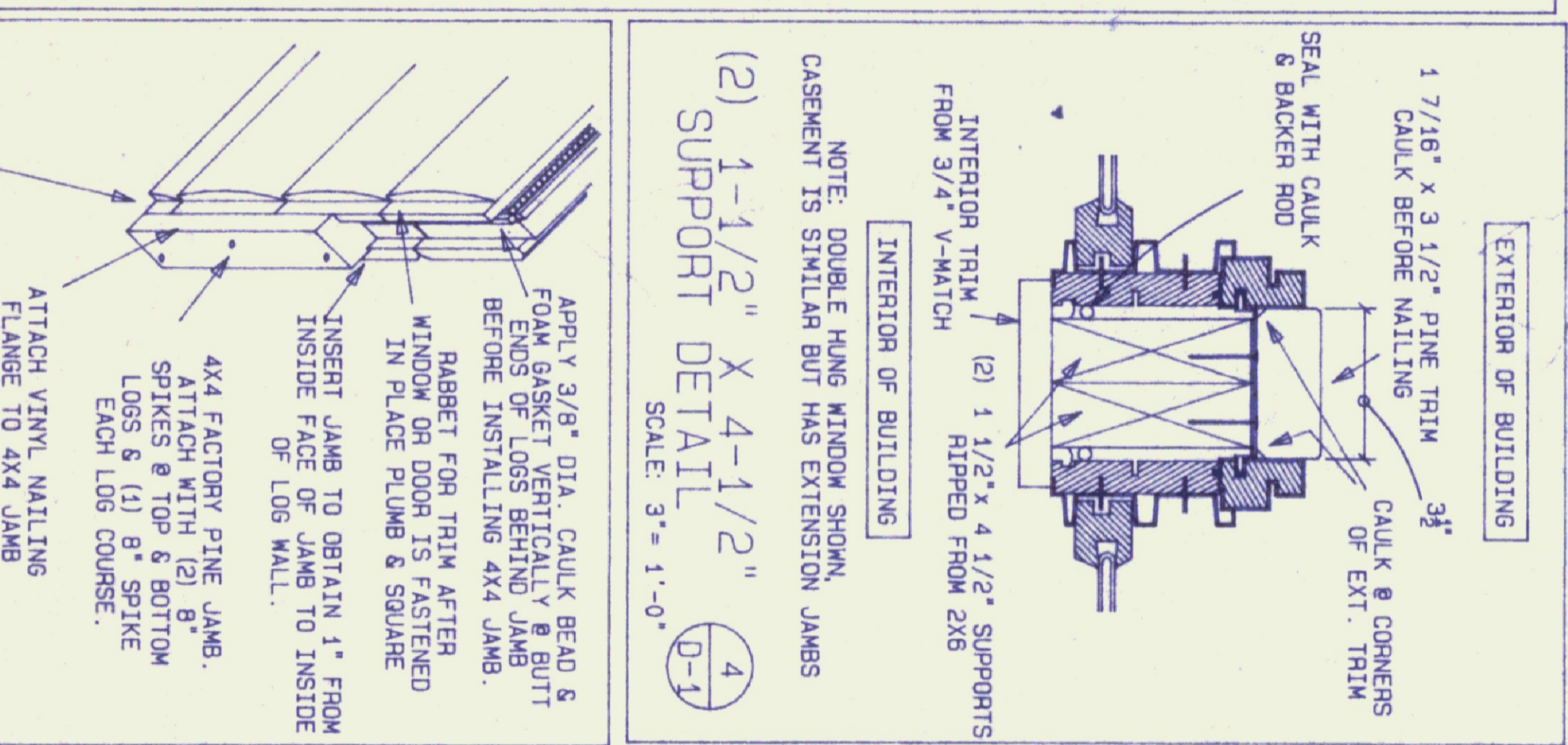
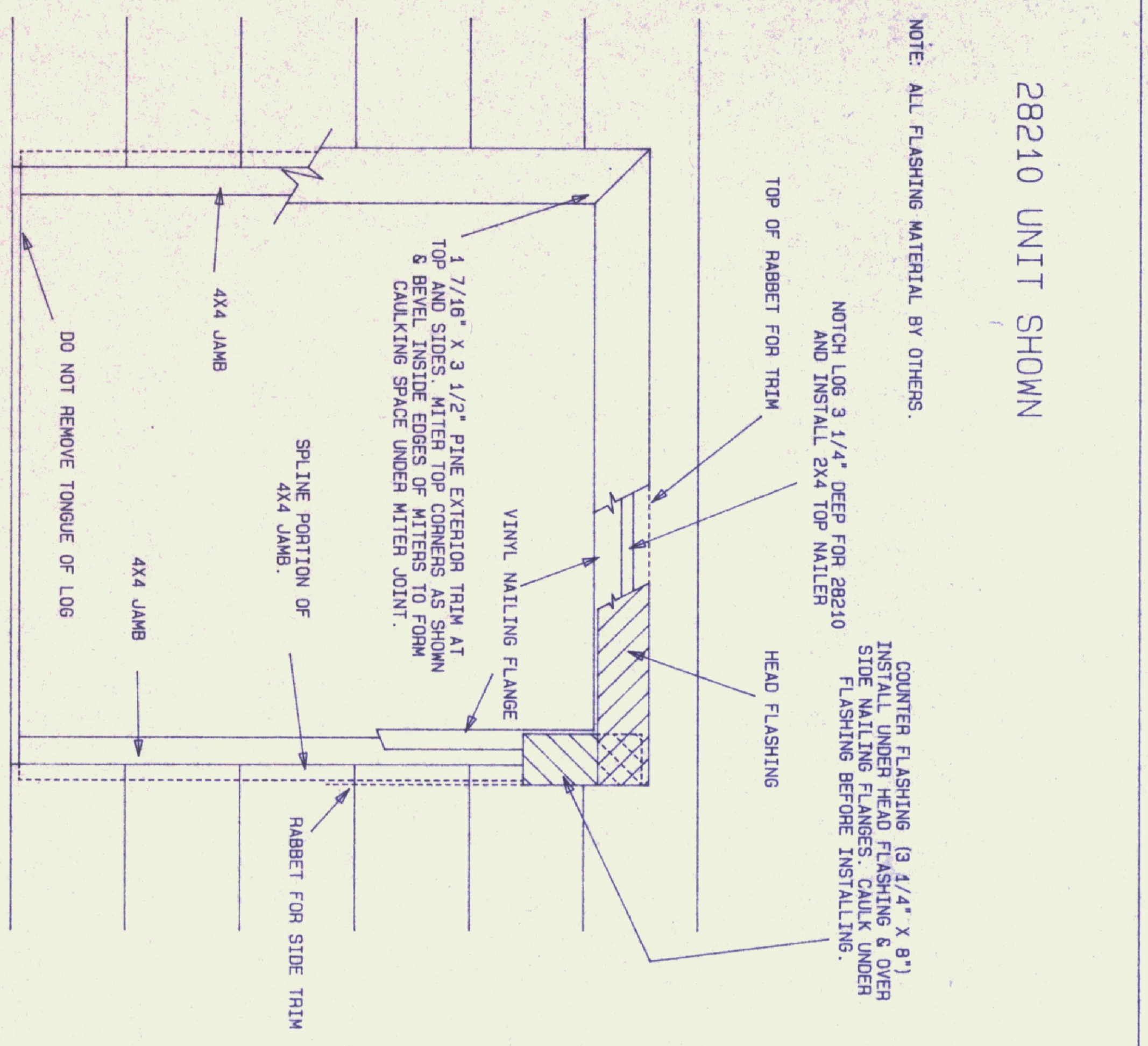
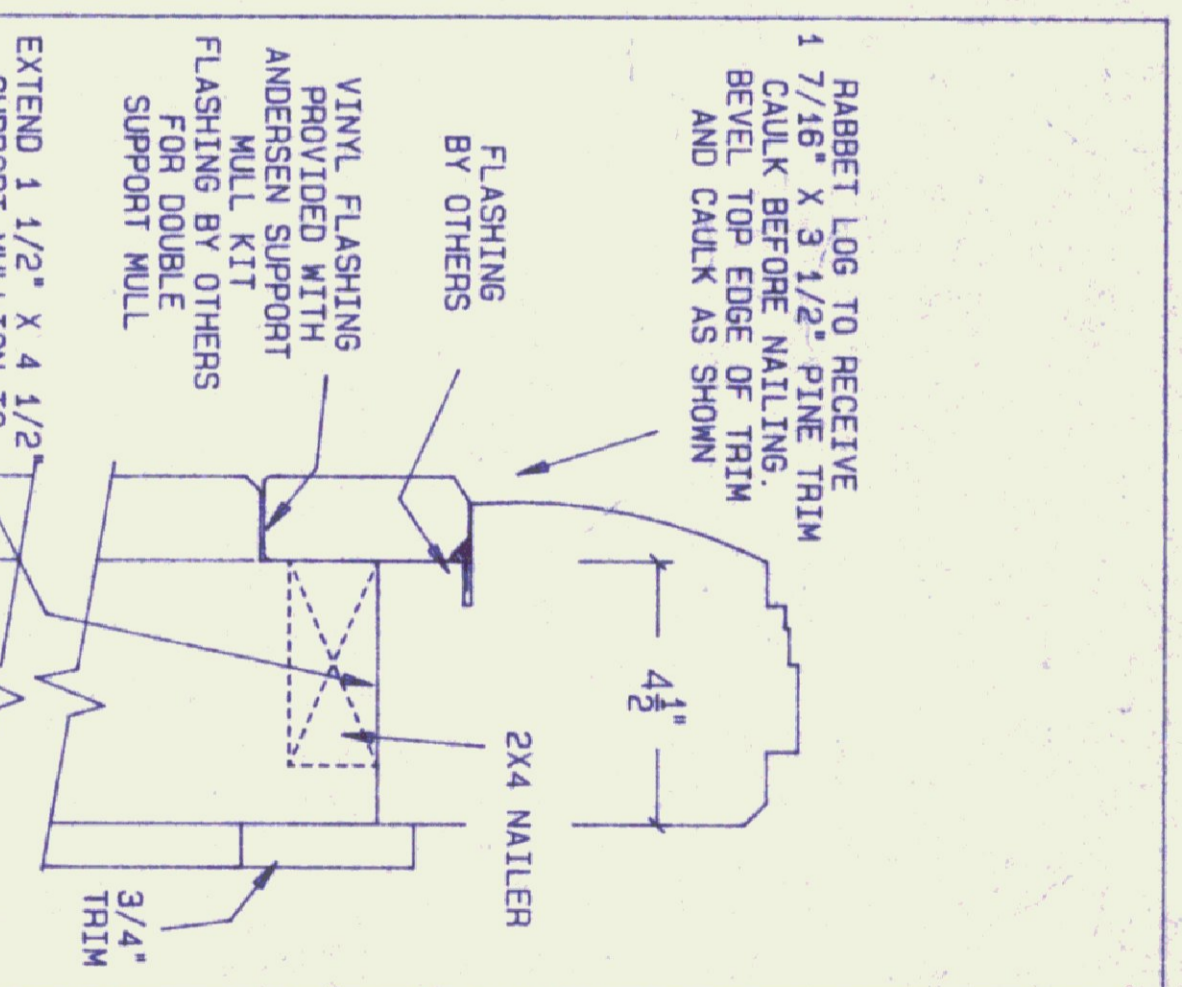
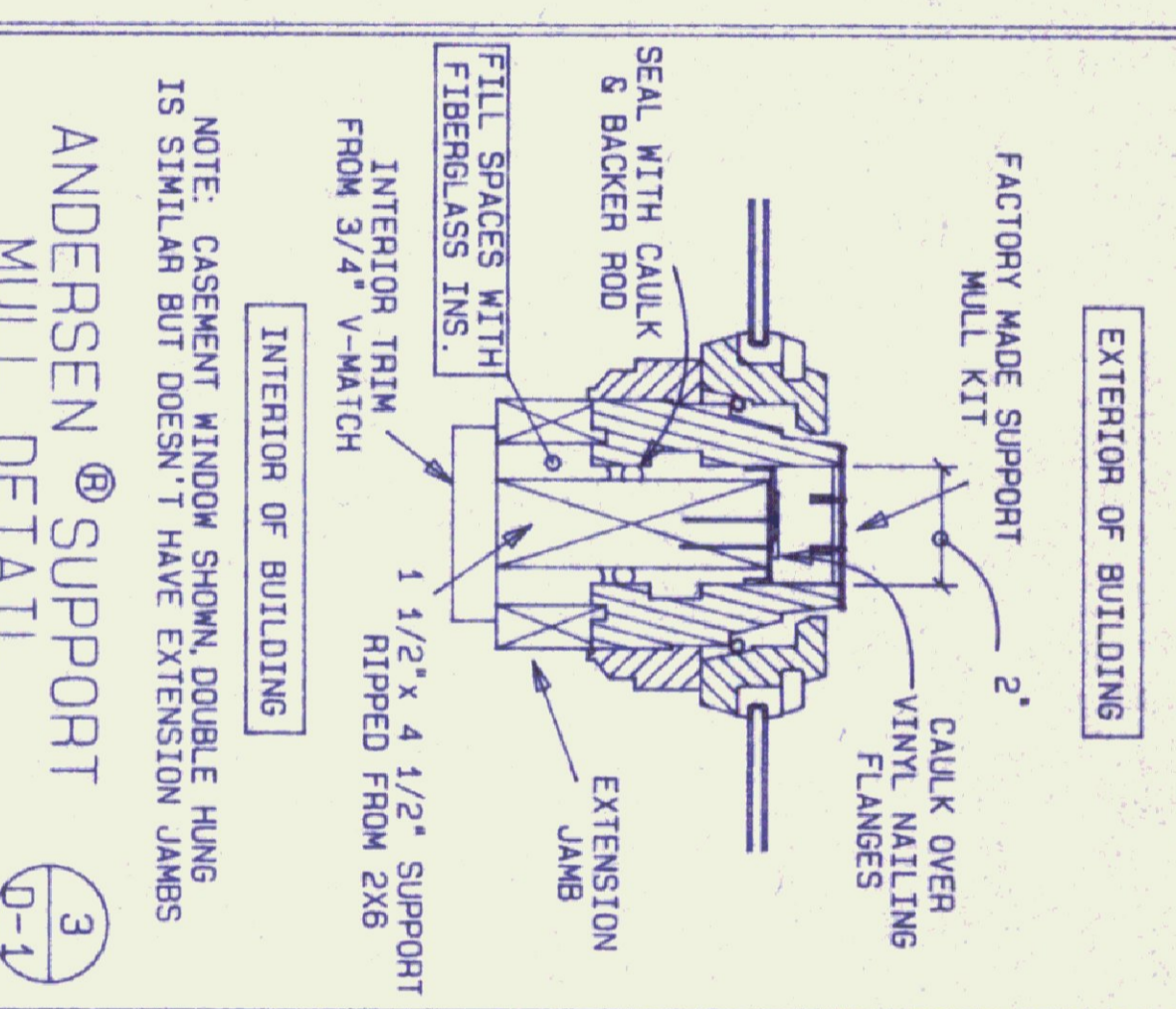
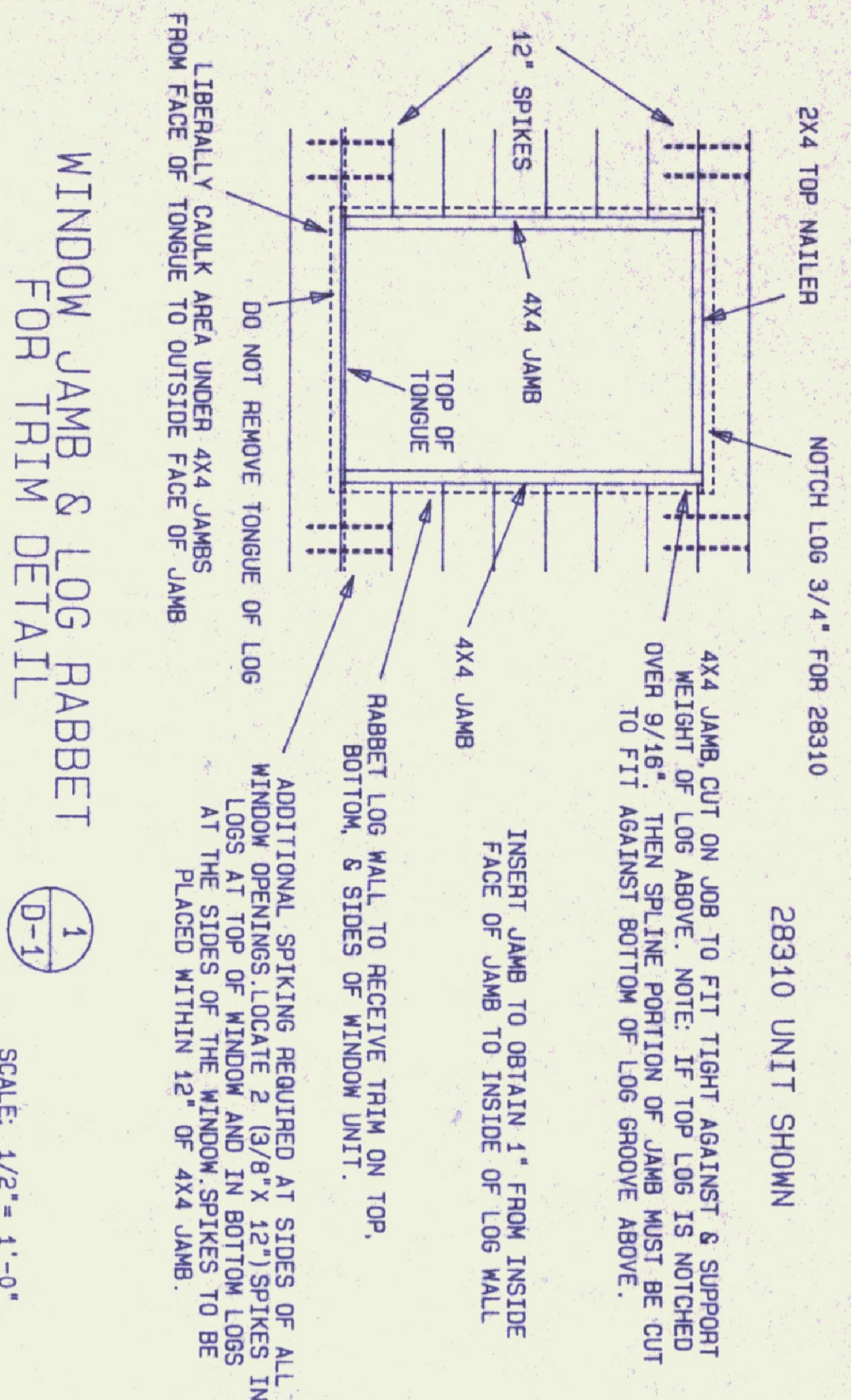


CODE	TIME	BY



GENERAL NOTES:
FLASHING IS RECOMMENDED AT THE TOP TRIM OF ALL WINDOWS. FLASHING BY OTHERS.
DO NOT LET WEIGHT OF LOGS BEAR ON TOP OF WINDOW UNIT.

CAUTION:
NORTHEASTERN RECOMMENDS SEALING WITH BACKER ROD & CAULKING AS SHOWN HOWEVER, IF SPRAY FOAM INSULATION IS USED TO SEAL AT DOORS OR WINDOWS, HEAD MANUFACTURER'S INSTALLATION PROCEDURES FOR PROPER INSTALLATION PROCEDURES. APPLY ONLY A SMALL BEAD OF SPRAY FOAM AND DO NOT ATTEMPT TO FILL THE ENTIRE SPACE. SPRAY FOAM EXPANDS GREATLY AND COULD CAUSE ABNORMAL PRESSURE ON JAMBS RESTRICTING OPERATION OF MOVING PARTS. SPRAY FOAM INSULATION BY OTHERS.

AT ROUGH OPENING, INSTALL BACKER ROD & CAULKING SEAL. FILL ALL REMAINING SPACES WITH FIBERGLASS INSULATION BEFORE INSTALLING TRIM.

SEE "CONSTRUCTION GUIDE" FOR ADDITIONAL INFORMATION ON INSTALLATION OF WINDOWS.
DETAILS ON THIS SHEET ARE GENERAL AND MAY NOT APPLY TO ALL BUILDINGS.

28210 UNIT SHOWN

NOTE: ALL FLASHING MATERIAL BY OTHERS.

COUNTER FLASHING (3 1/4" X 8") INSTALL UNDER HEAD FLASHING & OVER SIDE NAILING FLANGES. CAULK UNDER FLASHING BEFORE INSTALLING.
NOTCH LOG 3 1/4" DEEP FOR 28210 AND INSTALL 2x4 TOP MALLER
TOP OF RABBET FOR TRIM
HEAD FLASHING
VINYL NAILING FLANGE
1 7/16" X 3 1/2" PINE EXTERIOR TRIM AT TOP AND SIDES. MITER TOP CORNERS AS SHOWN & BEVEL INSIDE EDGES OF MITERS TO FORM CAULKING SPACE UNDER MITER JOINT.
SPLINE PORTION OF 4x4 JAMB.
4x4 JAMB
DO NOT REMOVE TONGUE OF LOG
RABBET FOR SIDE TRIM

1
D-1

SCALE: 1/2" = 1'-0"

28310 UNIT SHOWN

4x4 JAMB, CUT ON JOB TO FIT TIGHT AGAINST & SUPPORT WEIGHT OF LOG ABOVE. NOTE: IF TOP LOG IS NOTCHED OVER 9/16", THEN SPLINE PORTION OF JAMB MUST BE CUT TO FIT AGAINST BOTTOM OF LOG GROOVE ABOVE.

INSERT JAMB TO OBTAIN 1" FROM INSIDE FACE OF JAMB TO INSIDE OF LOG MALL

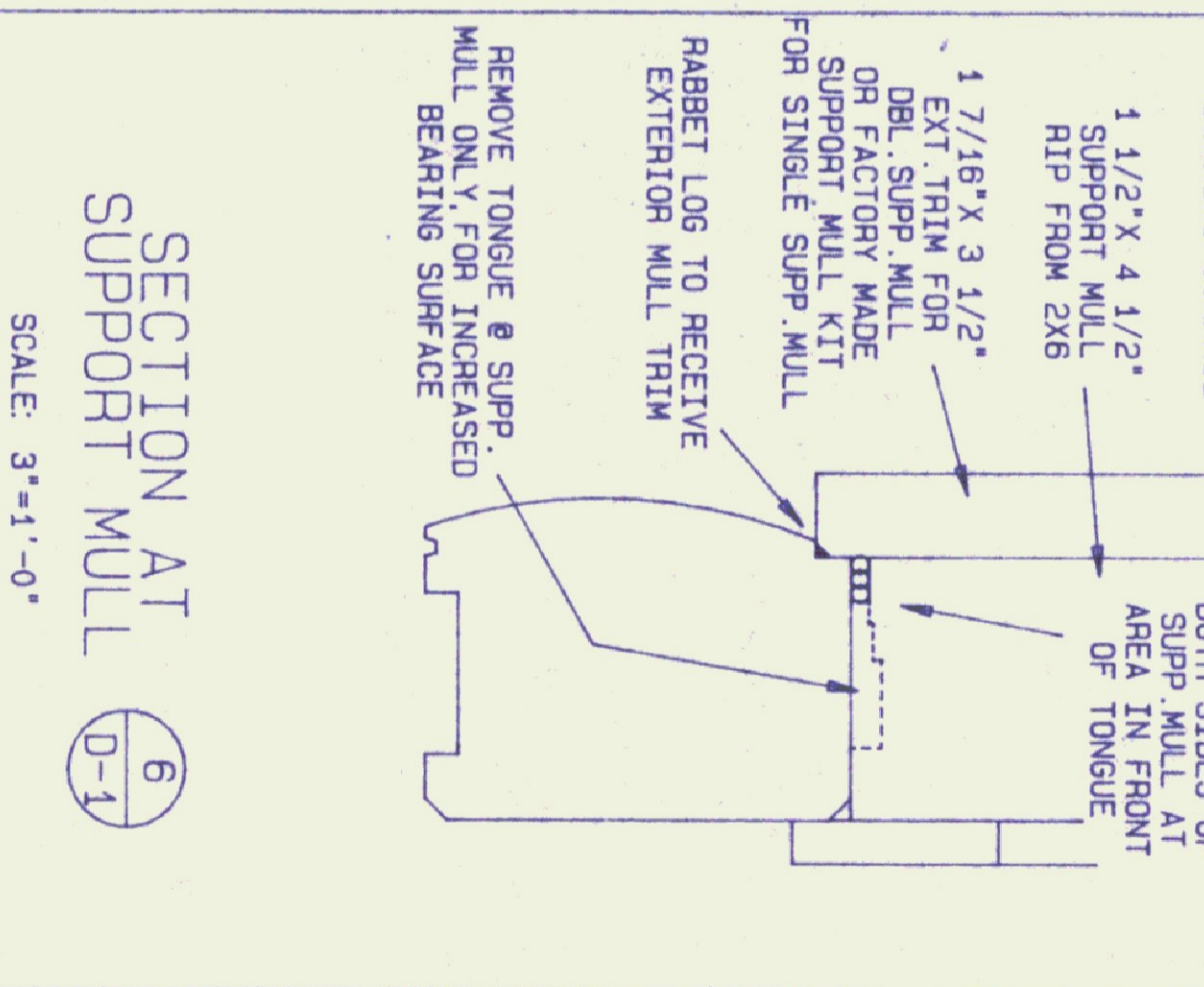
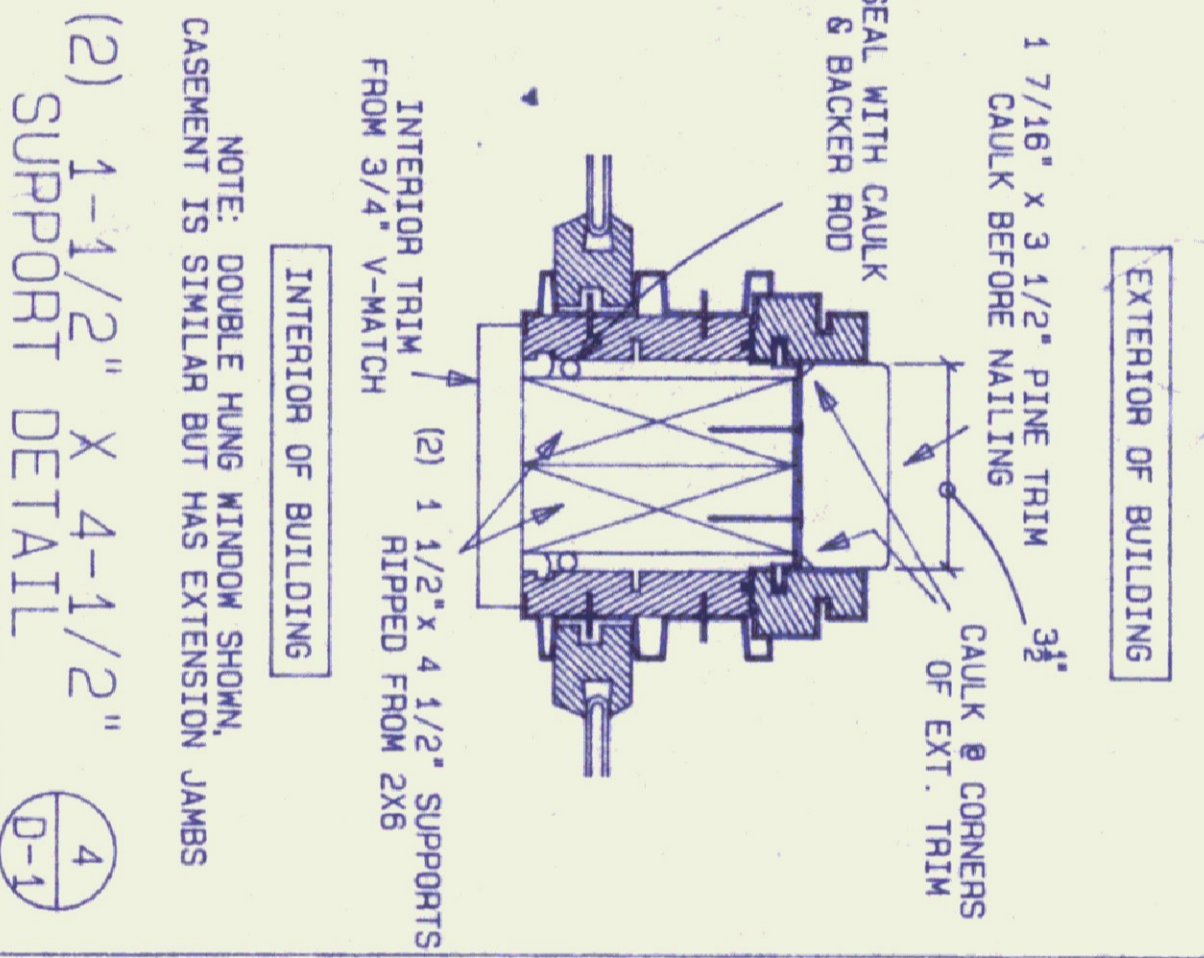
RABBET LOG MALL TO RECEIVE TRIM ON TOP, BOTTOM, & SIDES OF WINDOW UNIT.

ADDITIONAL SPIKING REQUIRED AT SIDES OF ALL WINDOW OPENINGS. LOCATE 2 (3/8" X 12") SPIKES IN LOGS AT TOP OF WINDOW AND IN BOTTOM LOGS AT THE SIDES OF THE WINDOW. SPIKES TO BE PLACED WITHIN 12" OF 4x4 JAMB.

DO NOT REMOVE TONGUE OF LOG
LIBERALLY CAULK AREA UNDER 4x4 JAMBS FROM FACE OF TONGUE TO OUTSIDE FACE OF JAMB

1
D-1

SCALE: 1/2" = 1'-0"



GENERAL NOTES:
FLASHING IS RECOMMENDED AT THE TOP TRIM OF ALL WINDOWS. FLASHING BY OTHERS.
DO NOT LET WEIGHT OF LOGS BEAR ON TOP OF WINDOW UNIT.

CAUTION:
NORTHEASTERN RECOMMENDS SEALING WITH BACKER ROD & CAULKING AS SHOWN HOWEVER, IF SPRAY FOAM INSULATION IS USED TO SEAL AT DOORS OR WINDOWS, HEAD MANUFACTURER'S INSTALLATION PROCEDURES FOR PROPER INSTALLATION PROCEDURES. APPLY ONLY A SMALL BEAD OF SPRAY FOAM AND DO NOT ATTEMPT TO FILL THE ENTIRE SPACE. SPRAY FOAM EXPANDS GREATLY AND COULD CAUSE ABNORMAL PRESSURE ON JAMBS RESTRICTING OPERATION OF MOVING PARTS. SPRAY FOAM INSULATION BY OTHERS.

AT ROUGH OPENING, INSTALL BACKER ROD & CAULKING SEAL. FILL ALL REMAINING SPACES WITH FIBERGLASS INSULATION BEFORE INSTALLING TRIM.

SEE "CONSTRUCTION GUIDE" FOR ADDITIONAL INFORMATION ON INSTALLATION OF WINDOWS.
DETAILS ON THIS SHEET ARE GENERAL AND MAY NOT APPLY TO ALL BUILDINGS.

NO.	REVISION	DATE	BY	CHKD

© 1993 by NLH Inc.

Northwestern Log Homes

MODEL: STANDARD DETAILS D-96

DRAWING: WINDOW INSTALLATION

PROJECT NAME: IN LOG WALLS

DATE: JAN. 1, 1995

SCALE: AS NOTED

PLANNING: NE

SHEET NO: D-1