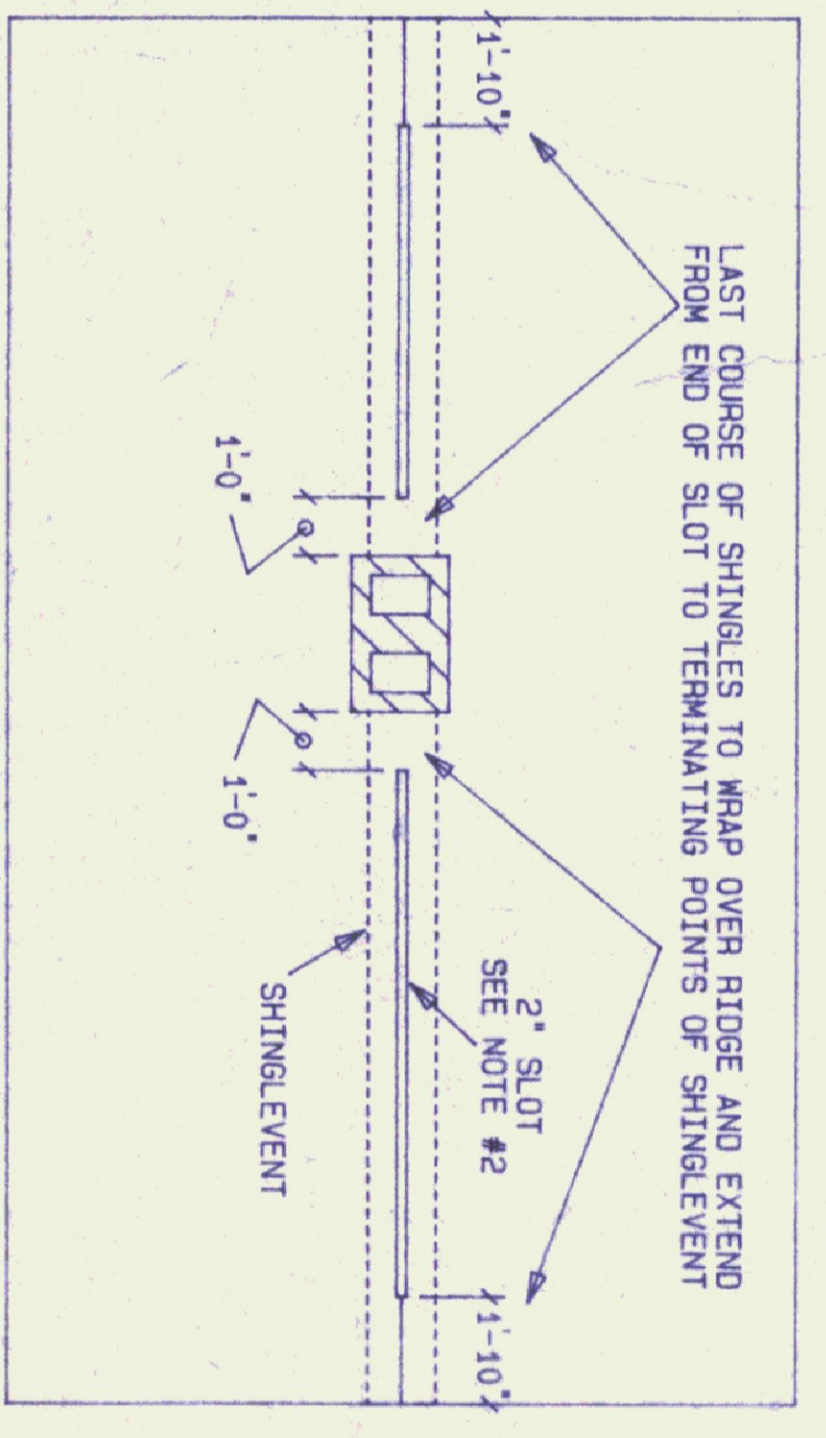
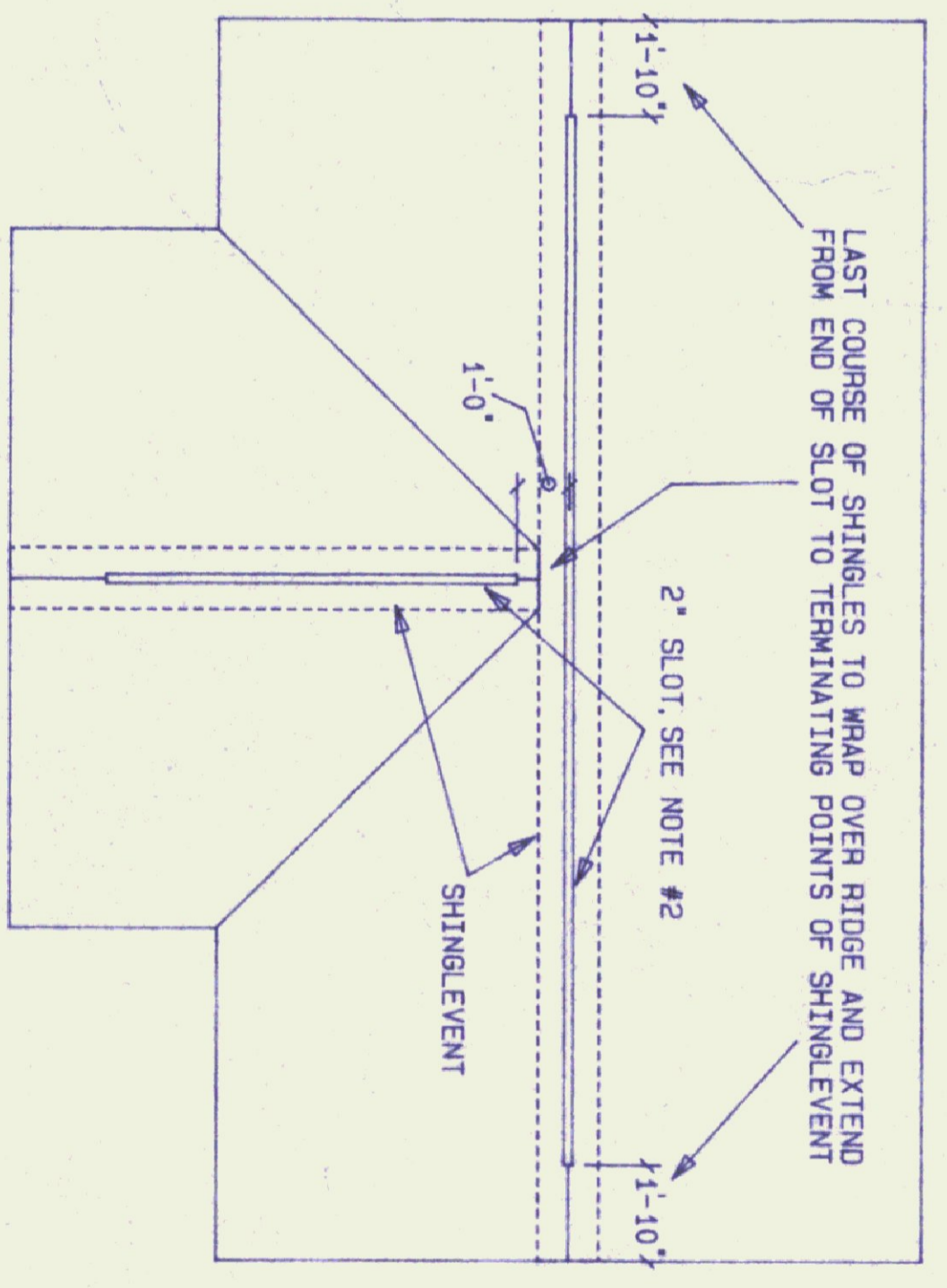
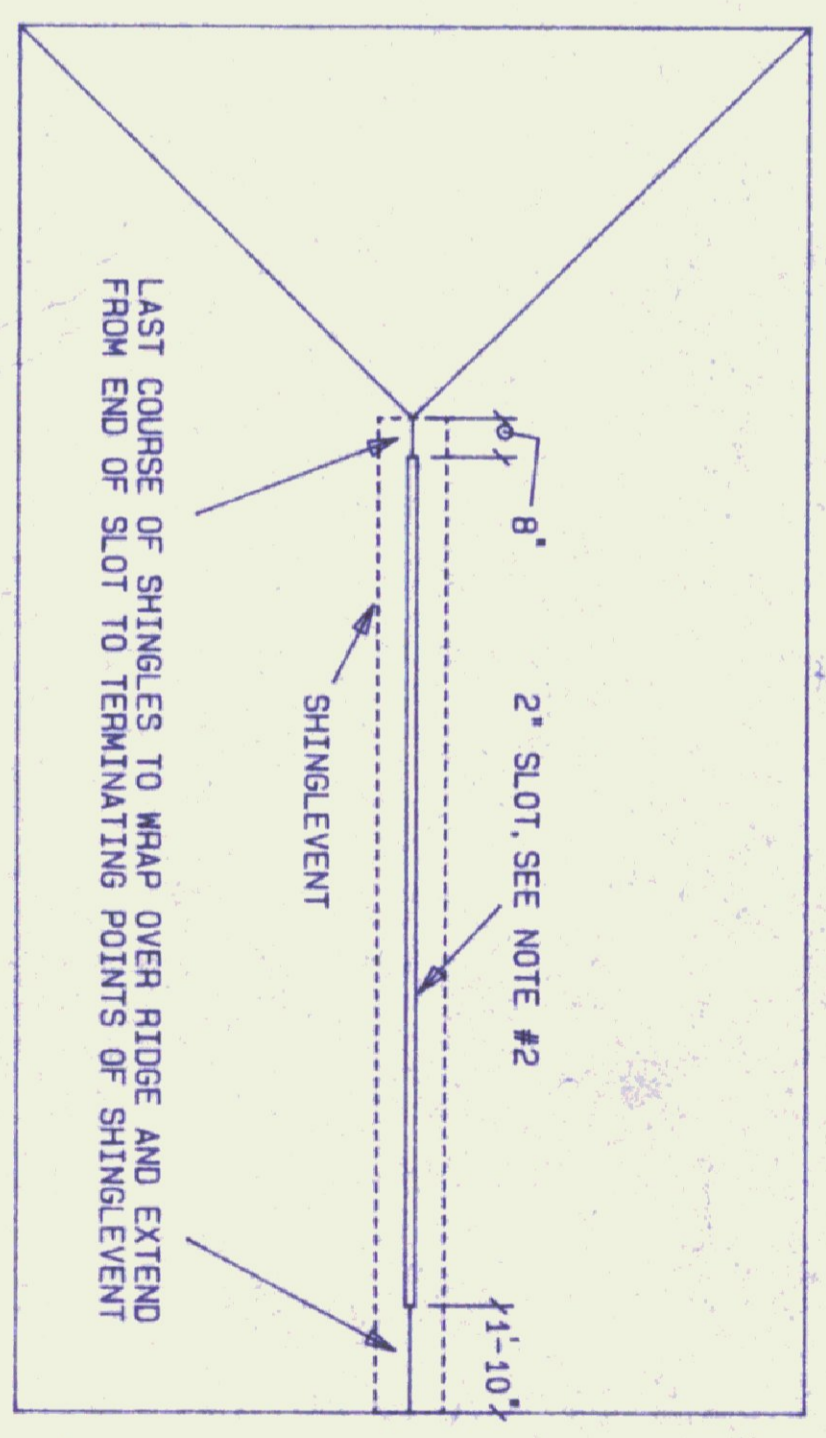
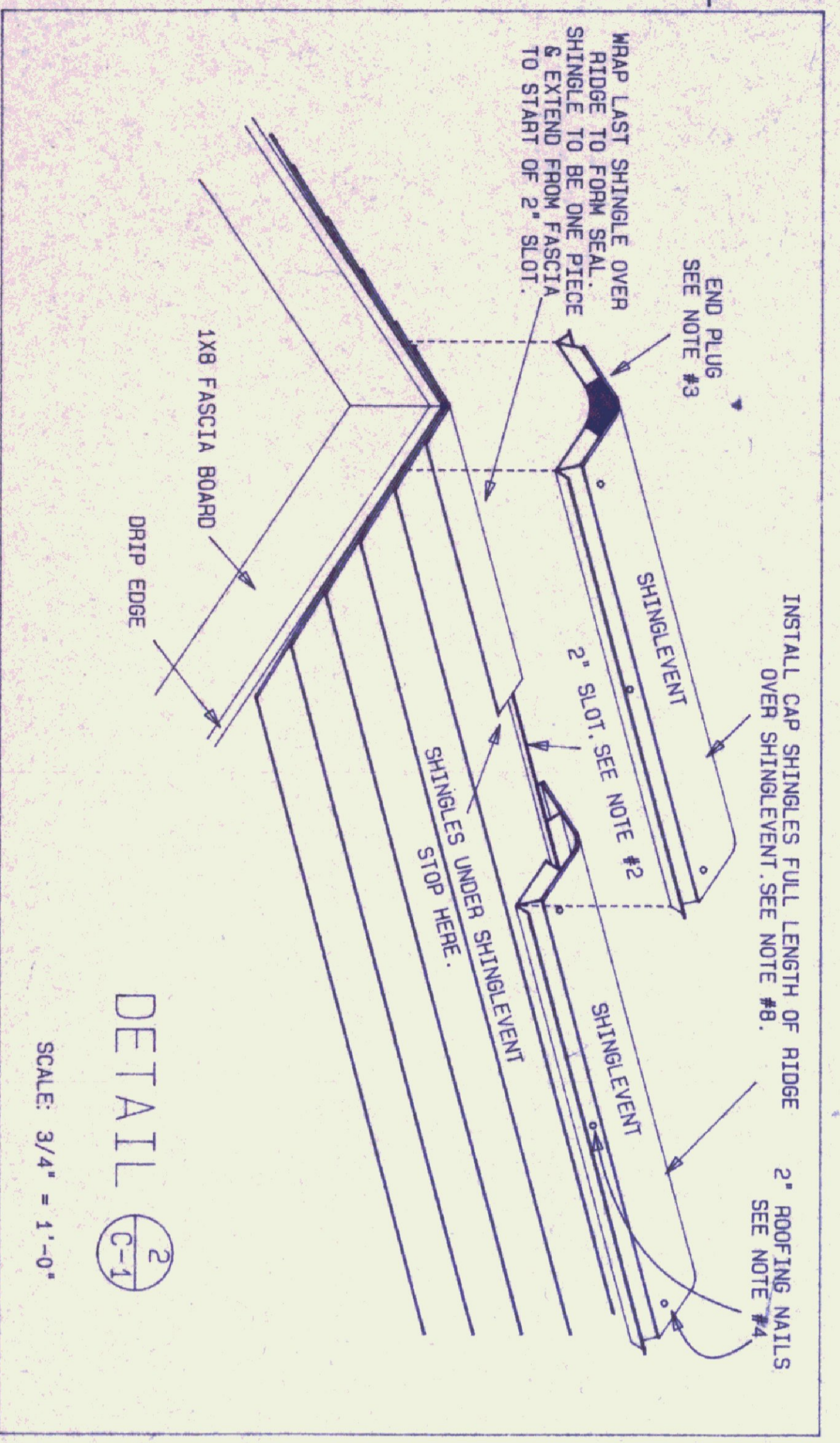
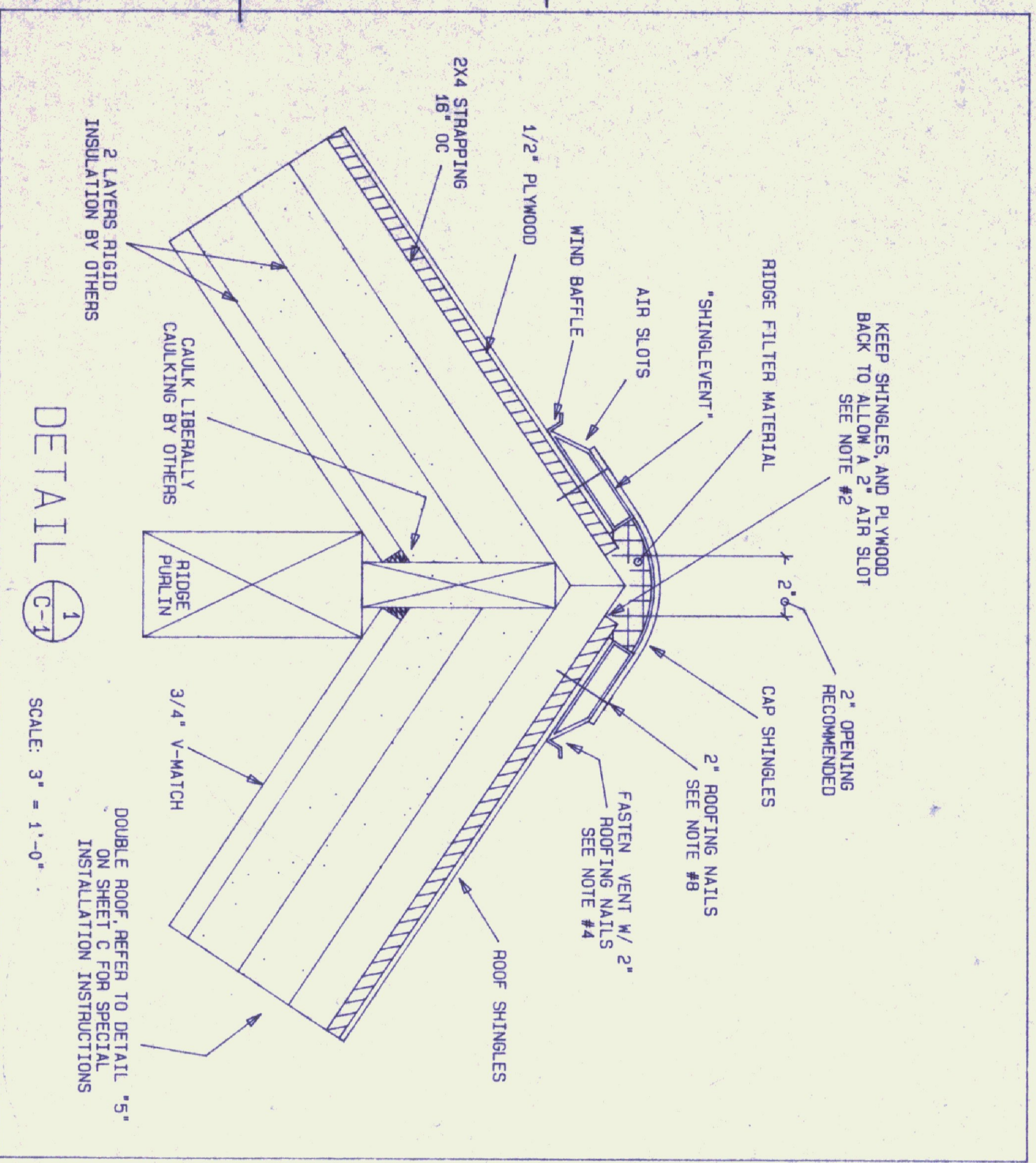


NOTE: "SHINGLEVENT" IS DESIGNED TO EXTEND TO END OF ROOF, DO NOT STOP AT GABLE.



GENERAL NOTES:

- 1) SHINGLEVENT TO BE INSTALLED ON ROOF PITCHES NOT LESS THAN 3/12 NOR GREATER THAN 16/12.
- 2) WIDTH OF SLOT AT RIDGE SHOULD BE 2". START SLOT AT INSIDE EDGE OF LOG GABLE. SEE DETAILS AT LEFT OPENINGS. IF RIDGE GREATER THAN 3" WILL VOID THE SHINGLEVENT MANUFACTURER'S WARRANTY.
- 3) INSTALL END PLUG IN FIRST PIECE OF SHINGLEVENT AND POSITION FLUSH WITH FASCIA BOARD. IF NECESSARY, ADJUST FILTER MATERIAL SO IT RESTS TIGHT AGAINST SHINGLES, COVERING THE 2" SLOT. END PLUGS ARE NOT REQUIRED IN EACH 4" SECTION OF SHINGLEVENT, ONLY AT TERMINATING POINTS OF RIDGE.
- 4) FASTEN SHINGLEVENT TO ROOF W/ 2" ROOFING NAILS THROUGH 8 PRE-MOLDED NAIL HOLES.
- 5) DO NOT CAULK UNDER SHINGLEVENT.
- 6) IF CHIMNEY EXTENDS THROUGH RIDGE, STOP 2" SLOT 12" FROM CHIMNEY. INSTALL END PLUG IN SHINGLEVENT AND BUTT TO CHIMNEY. SEE DETAIL AT LEFT AND SHEET "F" FOR ADDITIONAL DETAILS.
- 7) IF LAST SECTION OF SHINGLEVENT IS TOO LONG, CUT TO LENGTH WITH A UTILITY KNIFE. POSITION UNCU CUT FLUSH WITH FASCIA BOARD AND INSTALL END PLUG.
- 8) APPLY CAP SHINGLES OVER SHINGLEVENT, OVERLAPPING AS IN NORMAL RIDGE CAP FASTEN W/ 2" ROOFING NAILS. LOCATE NAILS AT NAIL LINE ON SHINGLEVENT FOR SHALLOW PITCHED ROOFS OR BELOW THE NAIL LINE FOR STEEPER PITCHED ROOFS. BE SURE TO LOCATE NAIL SO IT PENETRATES THROUGH ROOF PLYWOOD.

THIS DETAIL SHEET APPLIES ONLY TO SHINGLEVENT II BRAND RIDGE VENT. IF SUPPLIED BY N.L.H., IT WILL BE INCLUDED ON THE MATERIALS LIST. IF SUPPLIED BY OTHERS, REFER TO MANUFACTURER'S SPECS. FOR INSTALLATION INSTRUCTIONS. REFER TO SHEET "C" FOR ADDITIONAL RIDGE DETAILS ON THIS SHEET ARE GENERAL AND MAY NOT APPLY TO ALL BUILDINGS.



© 1993 by N.L.H. Inc.

NO.	REVISION	DATE	BY	CHKD

DRN MG
CODES
PROJECTNAME
MODEL
STANDARD DETAILS D-96

SHINGLE VENT INSTALLATION

DATE	JAN. 1, 1995	PLANNING	SHEET NO.	C-1
SCALE	AS NOTED	NE		