

DO NOT SPIKE 4X4 JAMBS IN PLACE UNTIL CORRECT LOG ROUGH OPENING HEIGHT HAS BEEN CUT. JAMBS HAVE BEEN CUT TO CORRECT HEIGHT, AND LOG ENDS WEATHERSTRIPPED WITH GASKET AND CAULK.

BE CAREFUL NOT TO INSTALL 4X4 JAMBS UPSIDE DOWN. PROPER INSTALLATION WILL ALIGN THE JAMB AT THE DIMENSIONS SHOWN ABOVE.

APPLY CAULKING AND 1/2" FOAM GASKET THE FULL LENGTH OF THE LOGS AT THE SIDES OF THE DOOR / WINDOW OPENINGS AS SHOWN BEFORE INSTALLING 4X4 JAMBS.

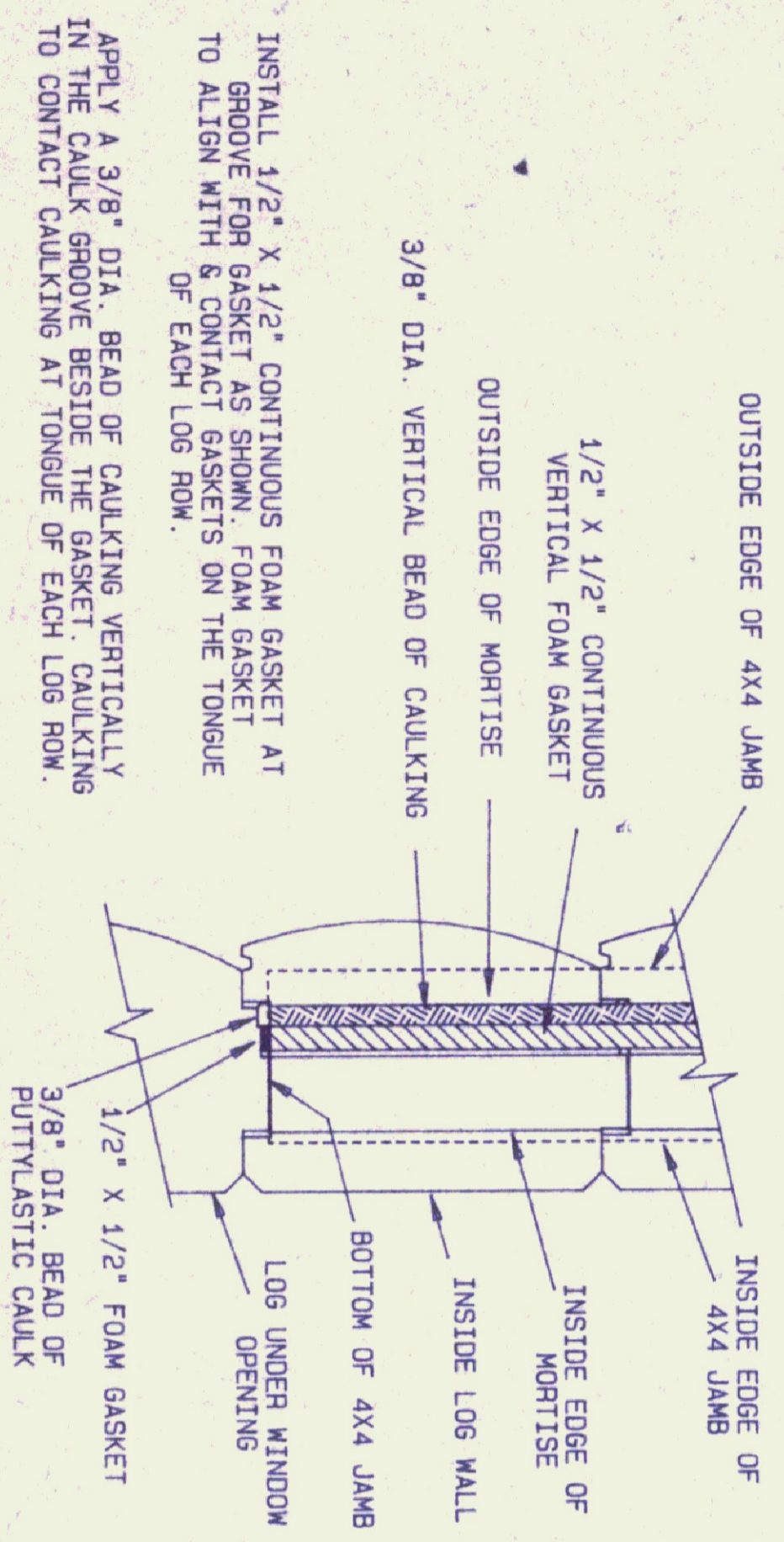
TO ASSIST ALIGNMENT OF EACH LOG ROW AT DOOR AND WINDOW OPENINGS, INSTALL A SHORT 4X4 JAMB (3 OR 4 FEET LONG) IN THE END OF THE LOG FOR ALIGNMENT PURPOSES BEFORE SPIKING LOG IN PLACE.

CAULKING AND FOAM GASKET ON TONGUE OF LOG TO ALIGN WITH AND CONTACT. CAULKING AND FOAM GASKET BEHIND 4X4 JAMBS.

WINDOW / DOOR JAMB TOP VIEW



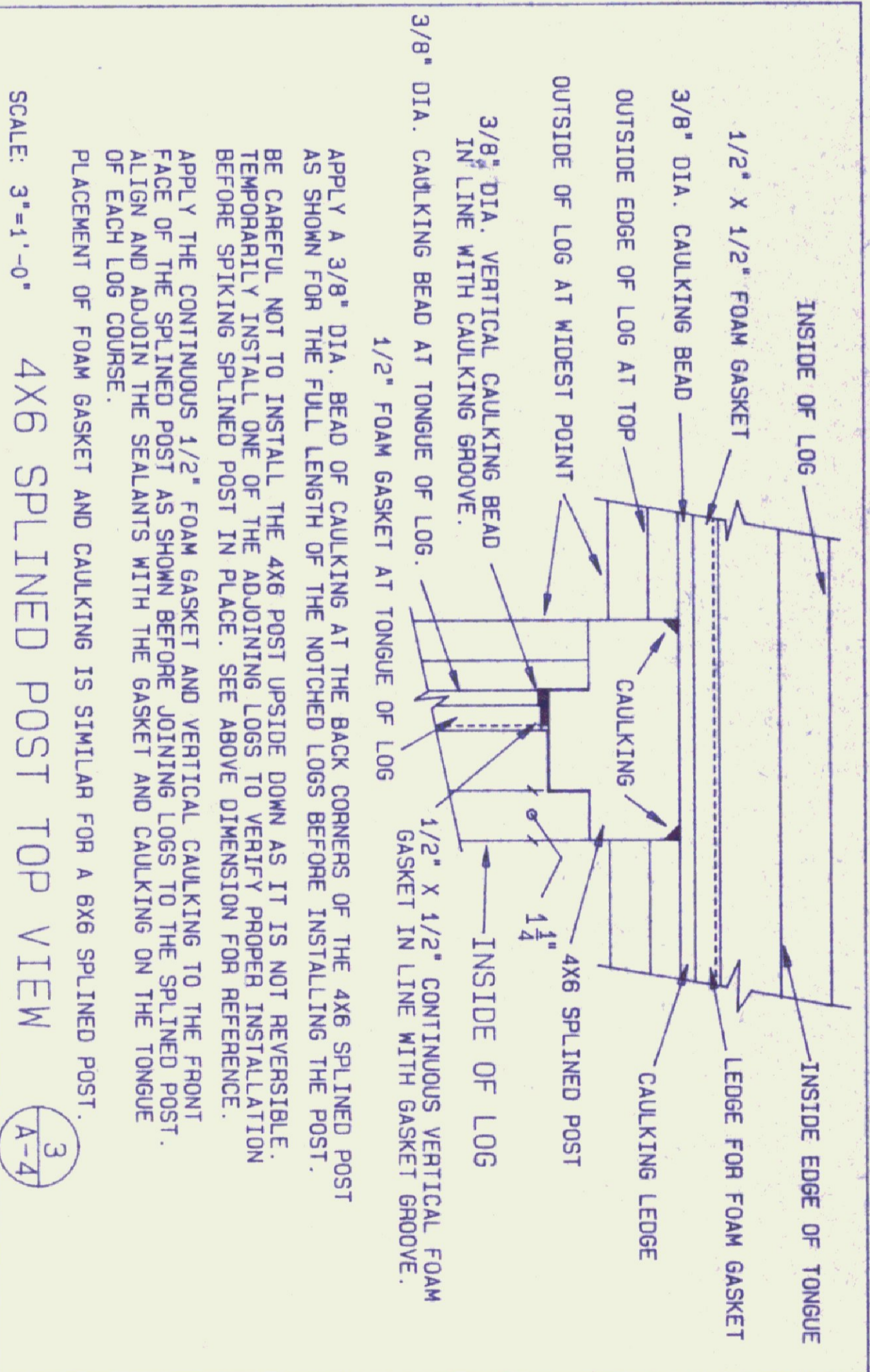
SCALE: FULL



WINDOW / DOOR JAMB END VIEW



SCALE: 3"-1'-0"



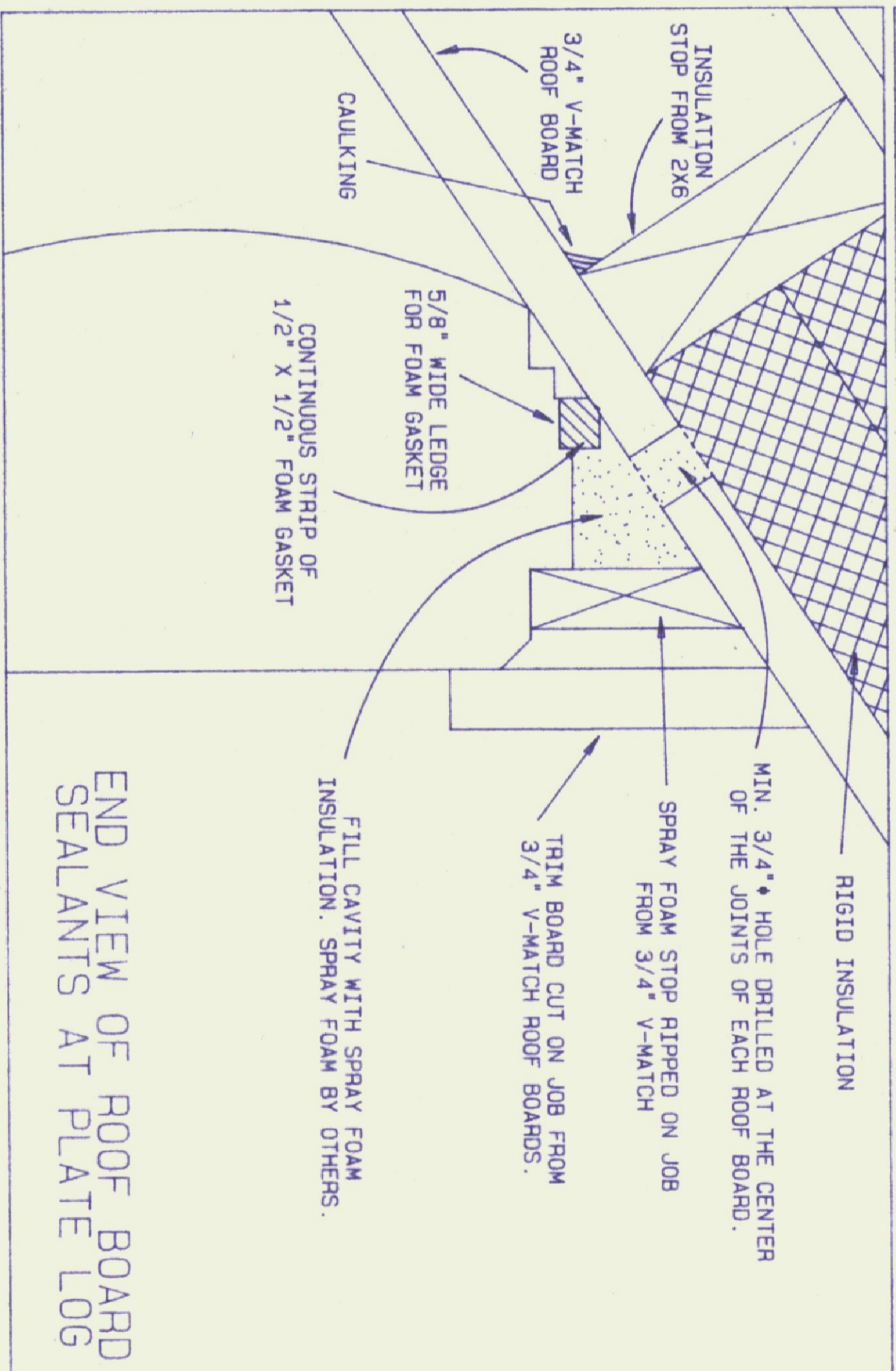
4X6 SPLINED POST TOP VIEW



SCALE: 3"-1'-0"

APPLY A 3/8" DIA. BEAD OF CAULKING AT THE BACK CORNERS OF THE 4X6 SPLINED POST AS SHOWN FOR THE FULL LENGTH OF THE NOTCHED LOGS BEFORE INSTALLING THE POST. BE CAREFUL NOT TO INSTALL THE 4X6 POST UPSIDE DOWN AS IT IS NOT REVERSIBLE. TEMPORARILY INSTALL ONE OF THE ADJOINING LOGS TO VERIFY PROPER INSTALLATION BEFORE SPIKING SPLINED POST IN PLACE. SEE ABOVE DIMENSION FOR REFERENCE.

APPLY THE CONTINUOUS 1/2" FOAM GASKET AND VERTICAL CAULKING TO THE FRONT FACE OF THE SPLINED POST AS SHOWN BEFORE JOINING LOGS TO THE SPLINED POST. ALIGN AND ADJOIN THE SEALANTS WITH THE GASKET AND CAULKING ON THE TONGUE PLACEMENT OF FOAM GASKET AND CAULKING IS SIMILAR FOR A 6X6 SPLINED POST.

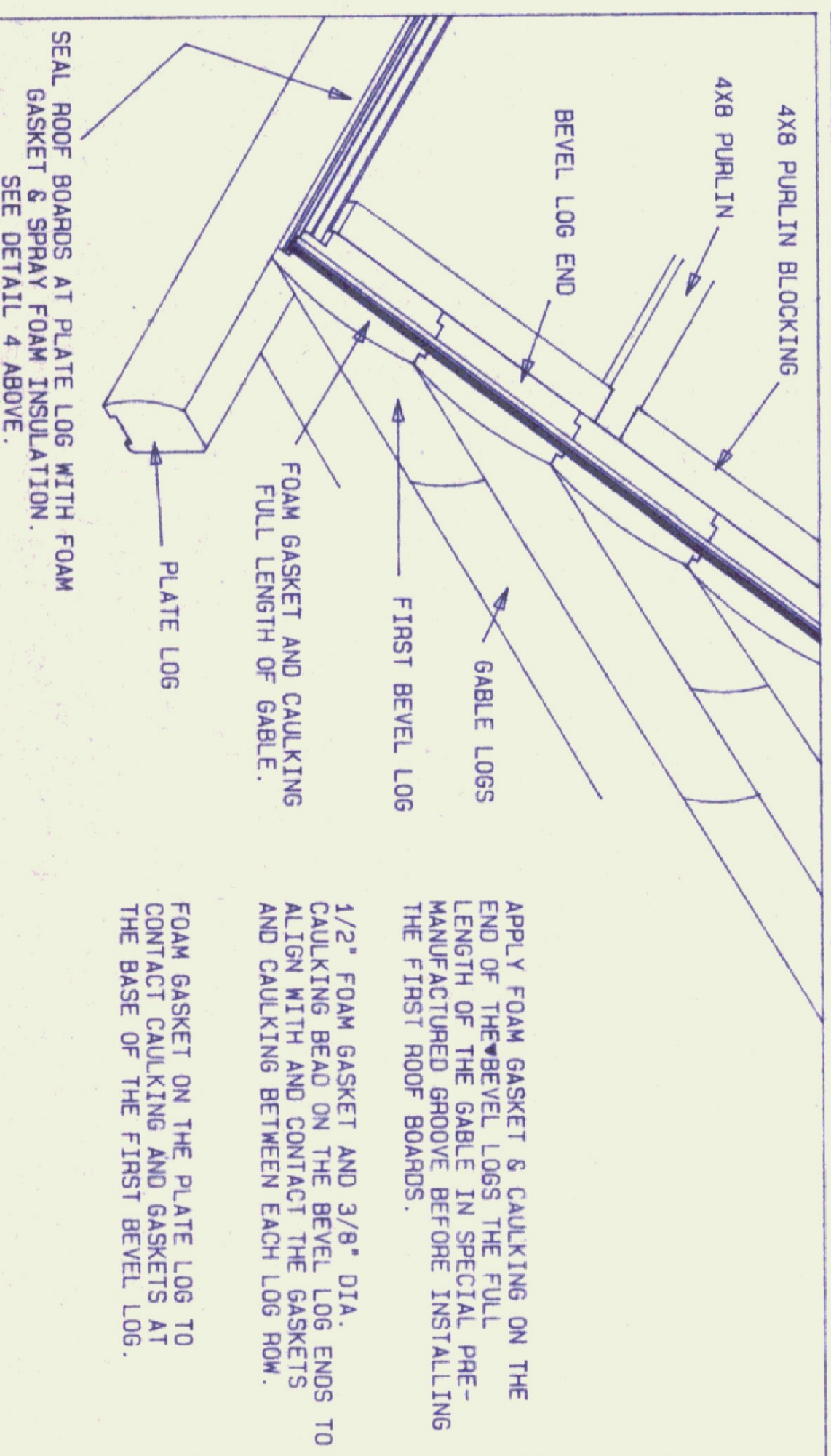


END VIEW OF ROOF BOARD SEALANTS AT PLATE LOG



SCALE: 6"-1'-0"

1. INSTALL 1/2" X 1/2" CONTINUOUS FOAM STRIP ON THE GASKET LEDEGE OF LOG AS SHOWN.
2. CUT SPRAY FOAM STOP FROM 3/4" V-MATCH AND INSTALL AS SHOWN.
3. INSTALL ROOF BOARDS, FASTENING TOP PART OF SPRAY FOAM STOP TO ROOF BOARDS AS YOU GO.
4. INSTALL INSULATION STOP. REFER TO DETAIL 2 ON SHEET C-2
5. DRILL A 3/4" HOLE AS SHOWN IN EACH ROOF BOARD AT THE SEAMS, REMOVING THE TONGUE AND GROOVE PORTION OF EACH BOARD.
6. FILL CAVITY BELOW WITH SPRAY FOAM INSULATION THROUGH HOLES.
7. ALLOW SPRAY FOAM TO CURE. THEN REMOVE EXCESS FOAM ABOVE HOLES IN ROOF BOARDS BEFORE INSTALLING RIGID INSULATION.

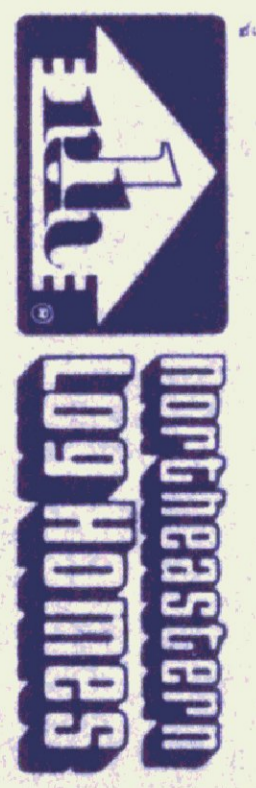


RAKE DETAIL



SCALE: 3/4"-1'-0"

GENERAL NOTES:
ALL INSTALLATION INSTRUCTIONS FOR APPLYING FOAM GASKET AND CAULKING SEALS MUST BE FOLLOWED TO ENSURE PROPER PROTECTION FROM WATER AND AIR INFILTRATION.



© 1993 BY NLI-INC

| NO. | REVISION | DATE | BY | CHKD |
|-----|----------|------|----|------|
| | | | | |

| WINDOWS | MODEL |
|---------|-----------------------|
| | STANDARD DETAILS D-96 |

| DRN | MG | GOODS |
|-----|----|-------|
| | | |

| PROJECT NAME | MODEL |
|-------------------------|-------|
| GASKET & CAULKING INFO. | |

| DATE | PLANNING | SHT. NO. |
|--------------|----------|----------|
| JAN. 1, 1995 | NE | A-4 |

| SCALE | AS NOTED |
|-------|----------|
| | |