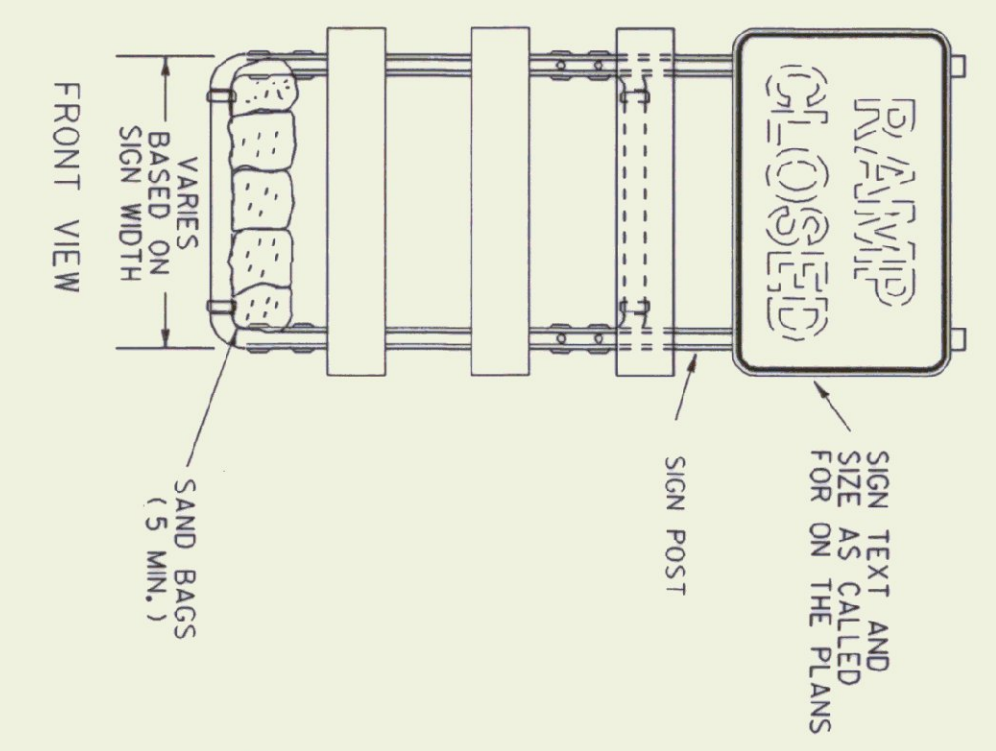
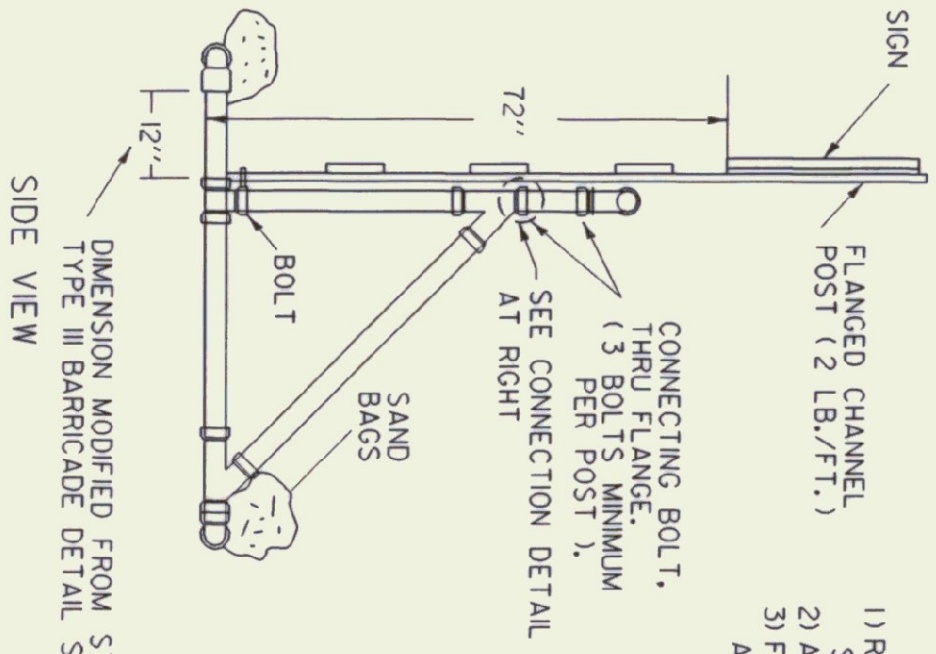


COLORS:
BLACK TEXT AND BORDER
WHITE REFLECTORIZED BACKGROUND

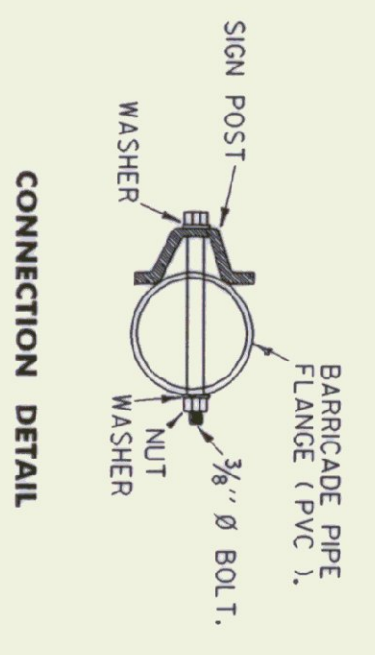
SEE STANDARD SHEET E-100 FOR NOTES AND TEXT DETAILS
SIGN DETAILS INDICATE THE APPROPRIATE COLOR.



SIGN MOUNTING ON
TYPE III BARRICADE



- NOTES:**
- 1) REFER TO STANDARD TYPE III BARRICADE STD SHT E-107A
 - 2) ALL BARRICADE JOINTS SHALL BE GLUED.
 - 3) FIVE SAND BAGS ARE REQUIRED BOTH FRONT AND BACK, 50 LB. MINIMUM EACH.



LEGEND

- - CHANNELIZING DRUM
- ⊠ - TYPE III BARRICADES
- ⇨ - INDICATES TRAFFIC DIRECTION
- +++ - REMOVAL OF EXISTING PAVEMENT MARKINGS

NTS

enr_g1 - 1. i
/traf/enr_g1/enr_g1.dgn

**TEMPORARY
RAMP CLOSURE PACKAGE
FOR REST AREA**

PREPARED BY: LOS DATE: 9/95
 CHECKED BY: _____ DATE: _____
 DESIGN SUPERVISOR: DAR DATE: _____
 PROJ. LEADER: IM - BLDG(72)

SHEET 19 OF 20 SHEETS