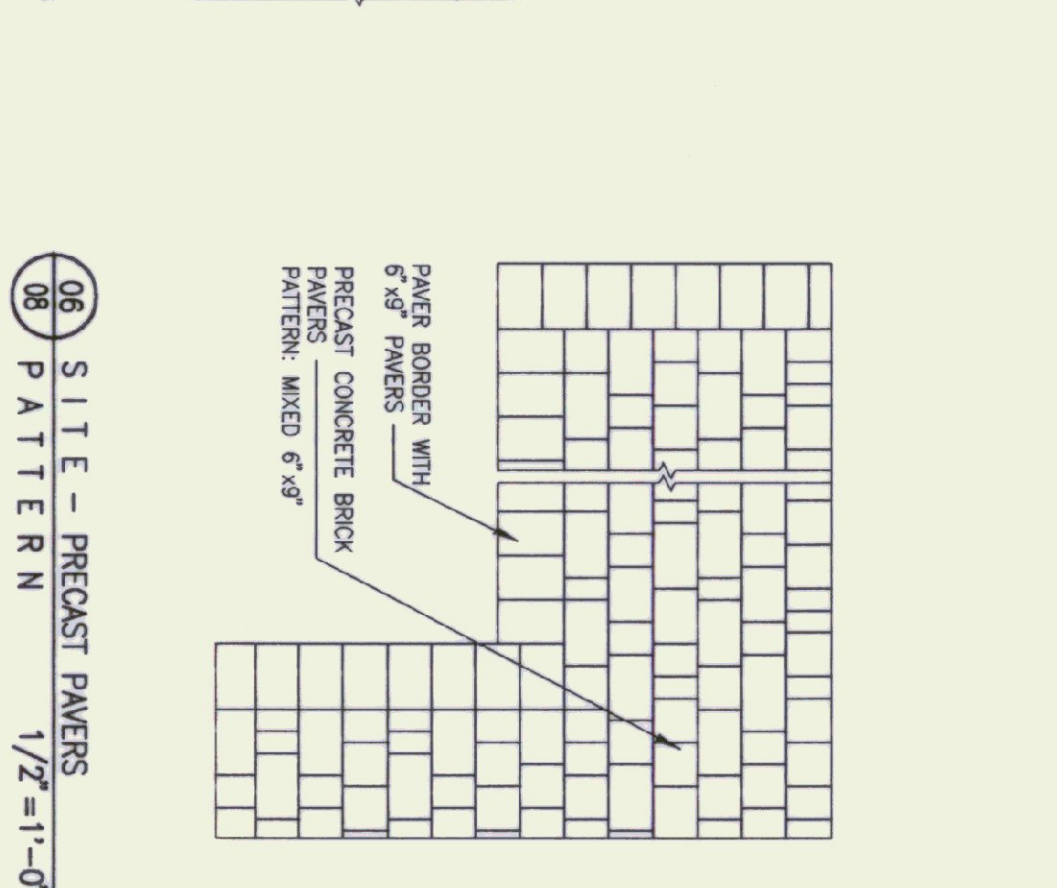
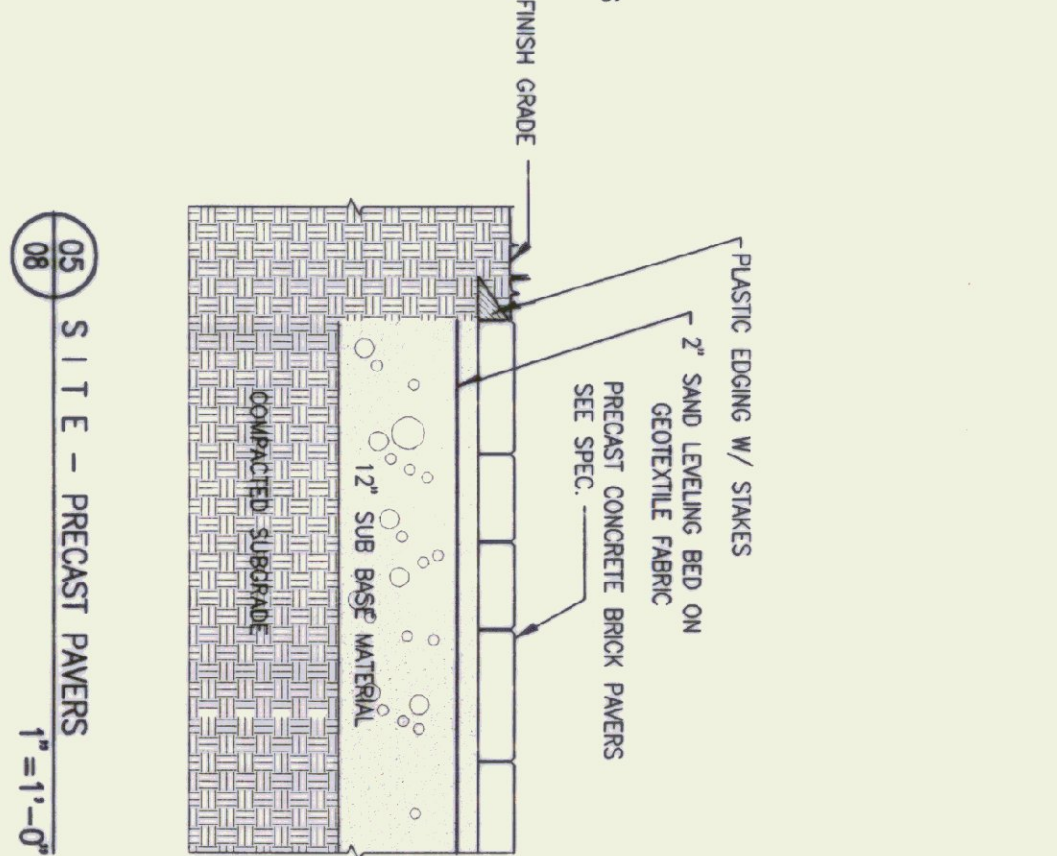
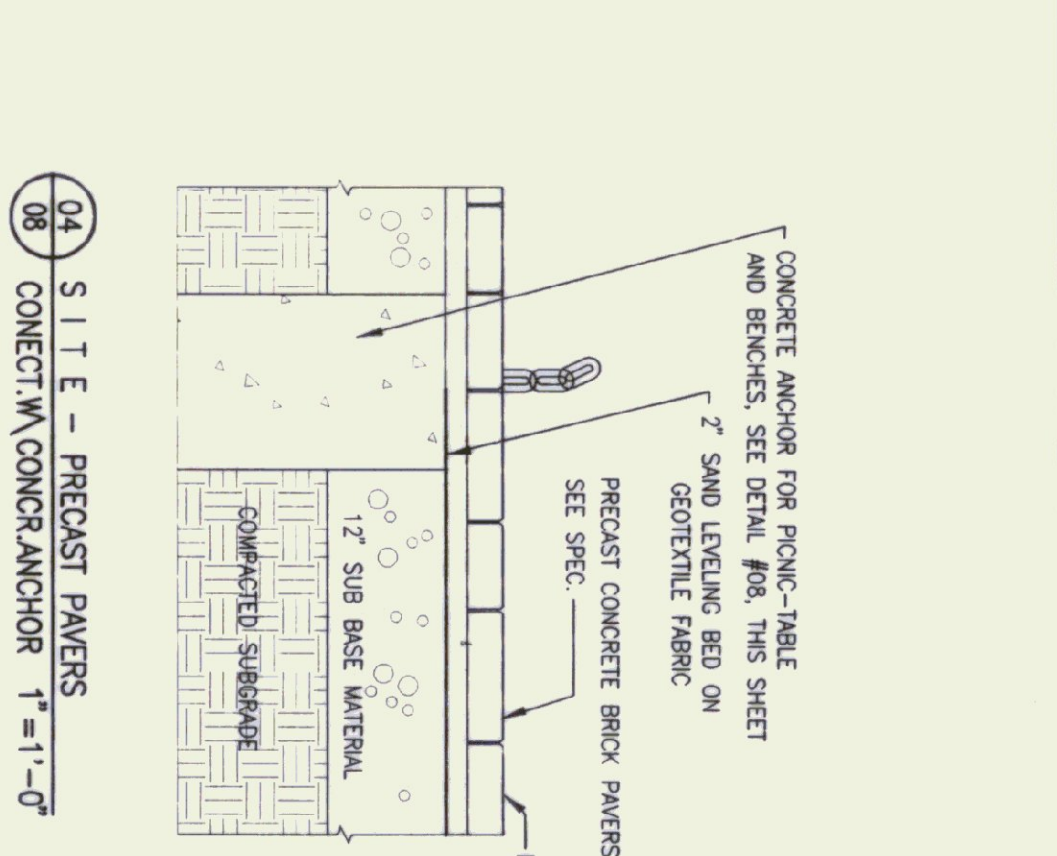
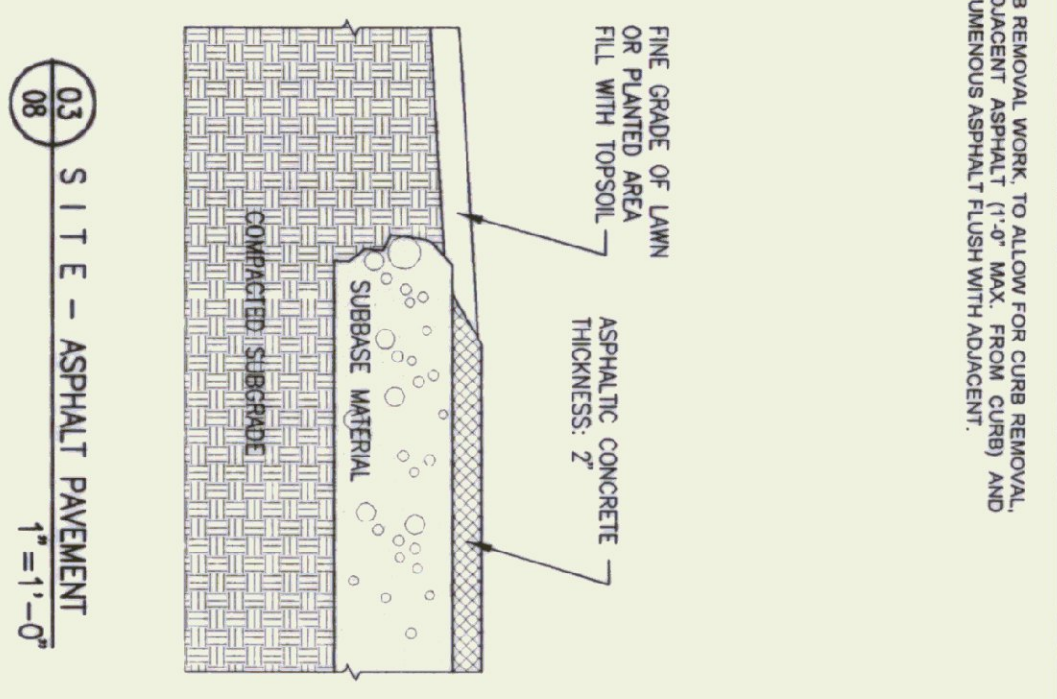
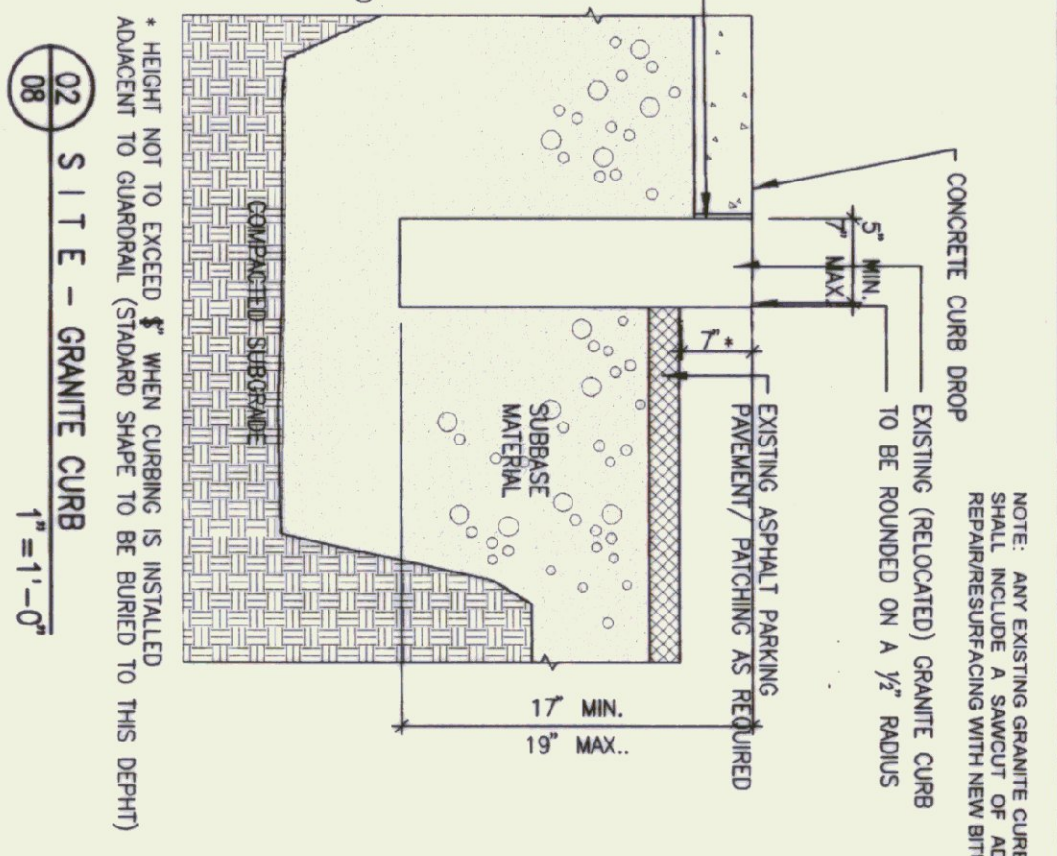
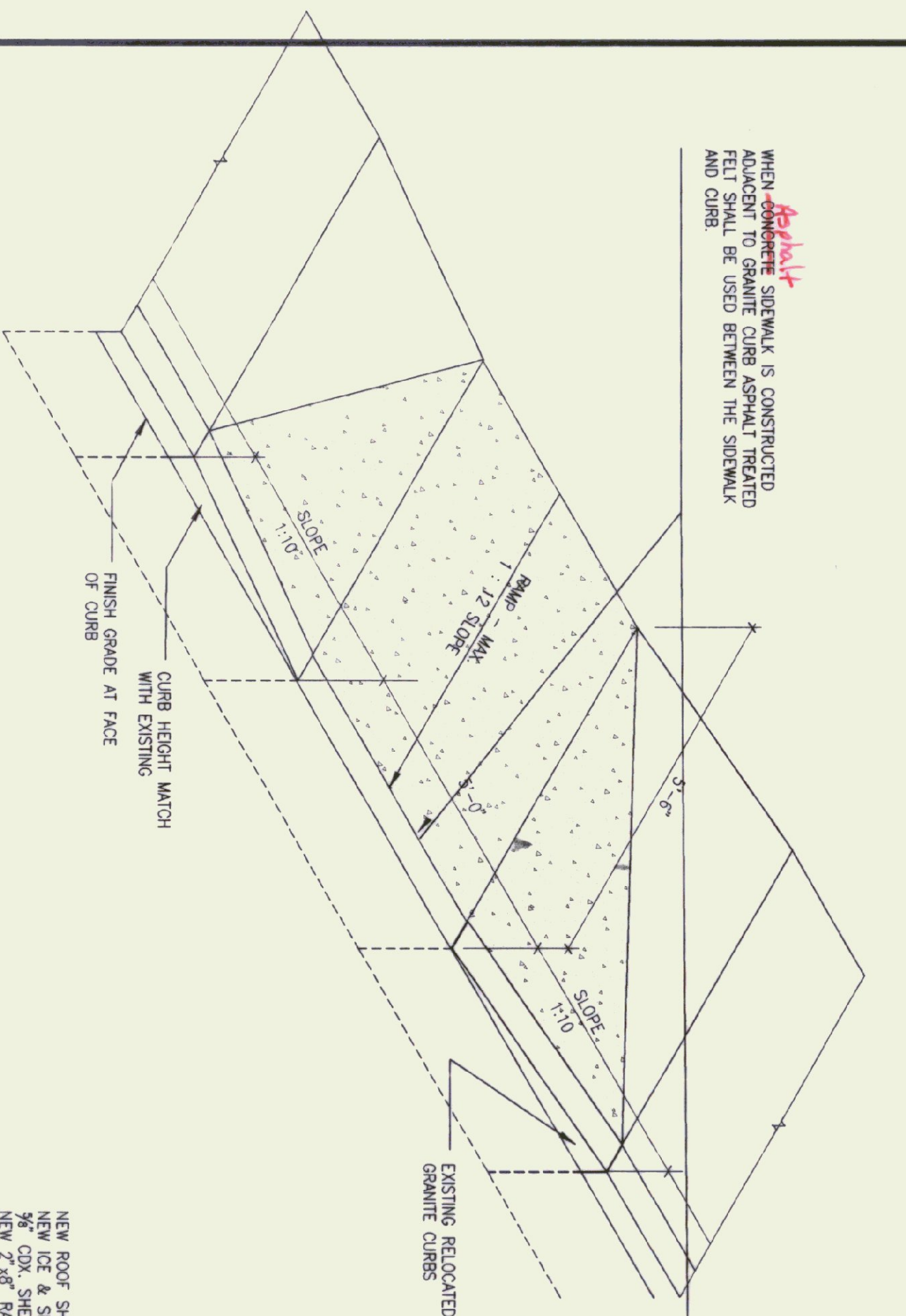


WHEN GRANITE CURBWORK IS CONSTRUCTED, GRANITE CURB SHALL BE CONSTRUCTED TO A MINIMUM HEIGHT OF 4" ABOVE FINISH GRADE. GRANITE CURB SHALL BE USED BETWEEN THE SIDEWALK AND CURB.



01 SITE - DROP CURB 1/2" = 1'-0"

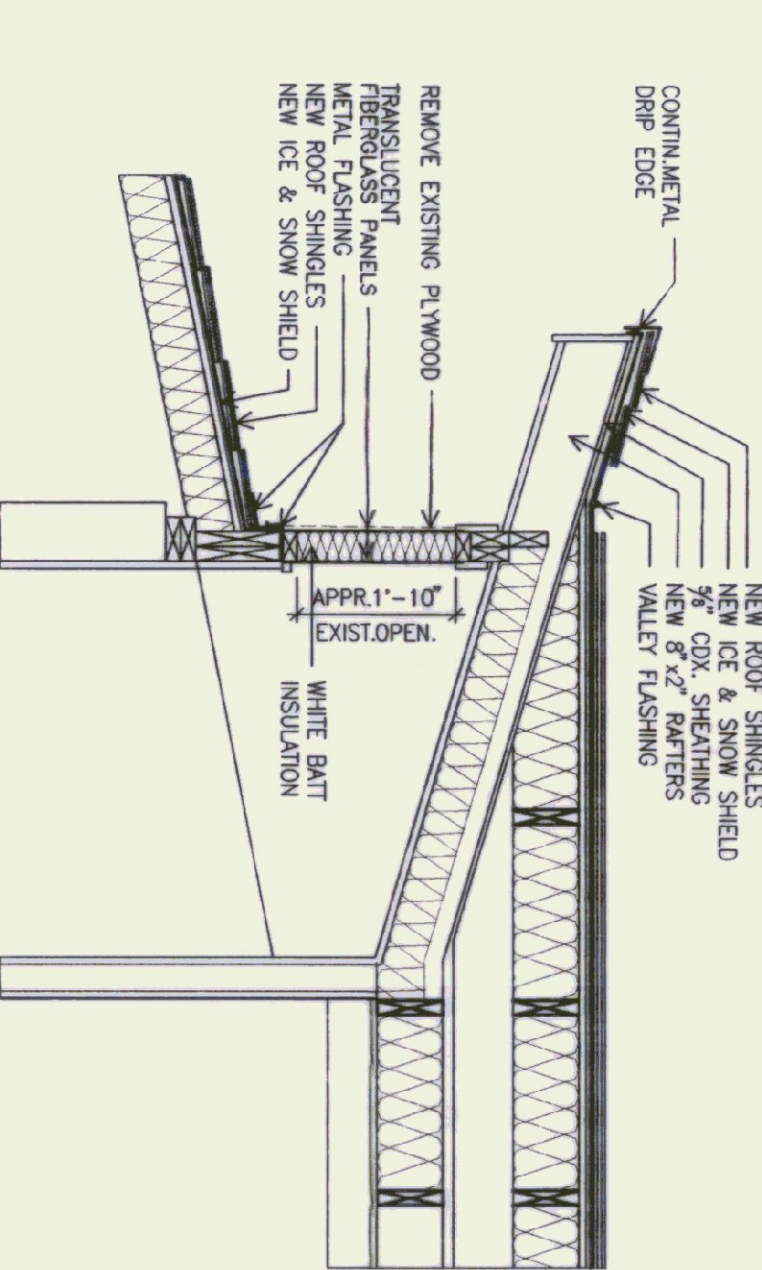
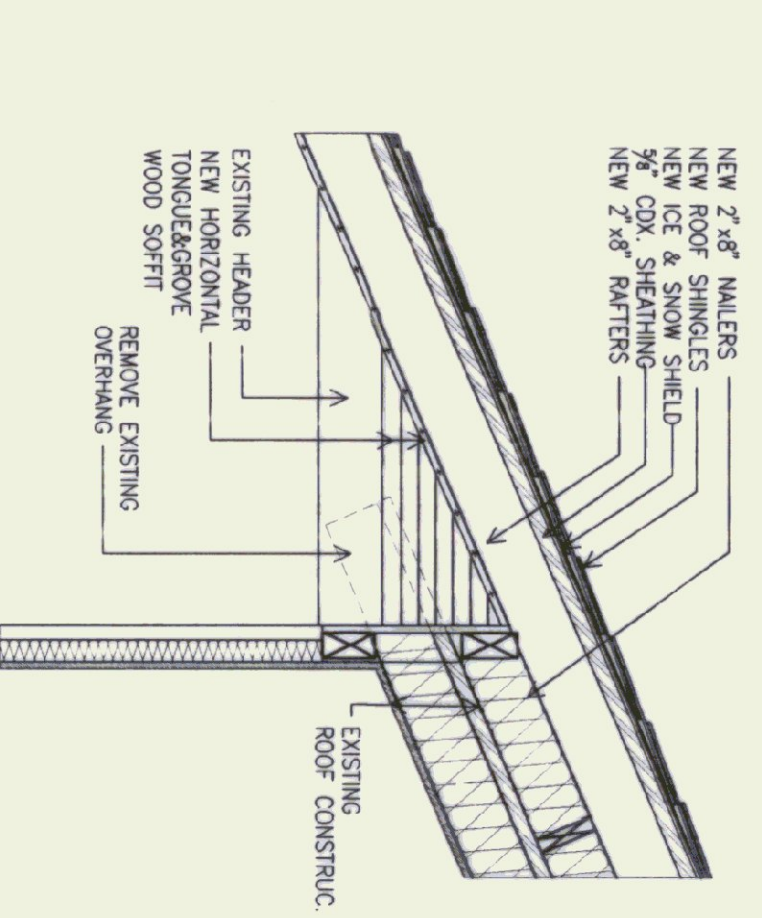
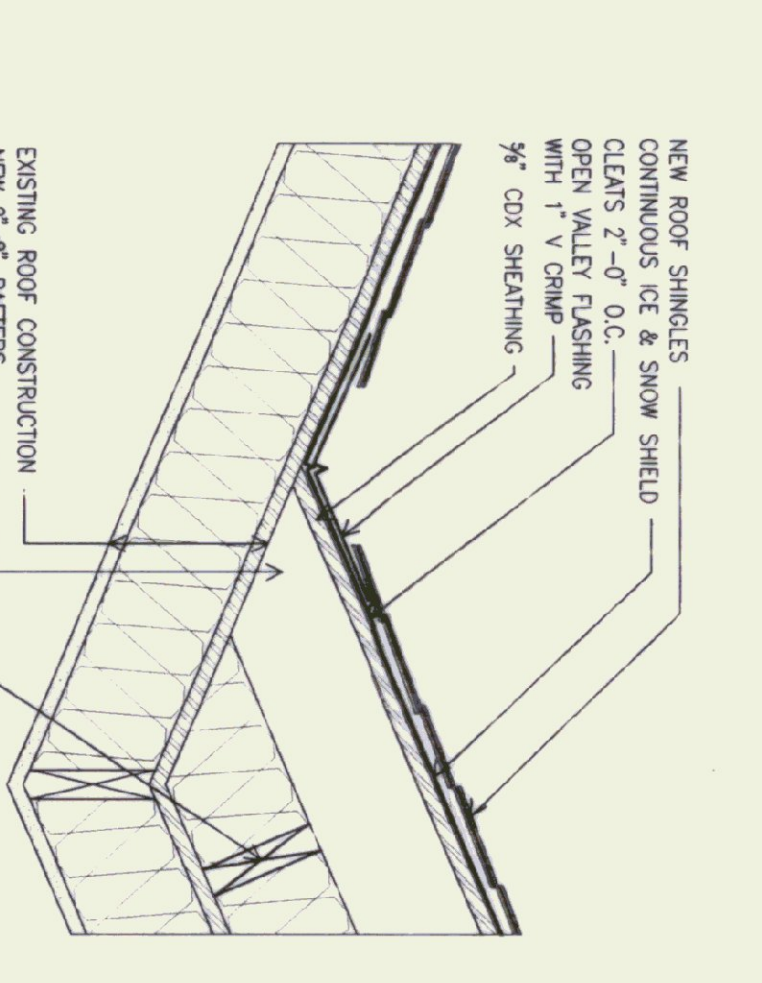
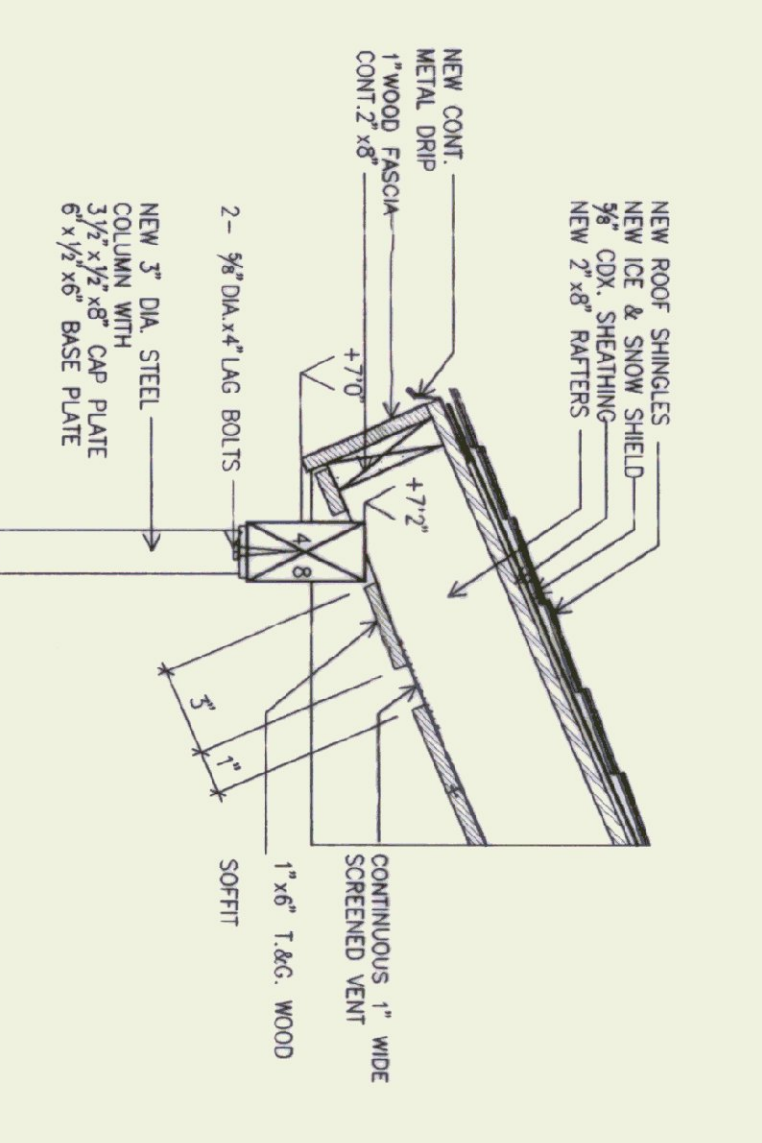
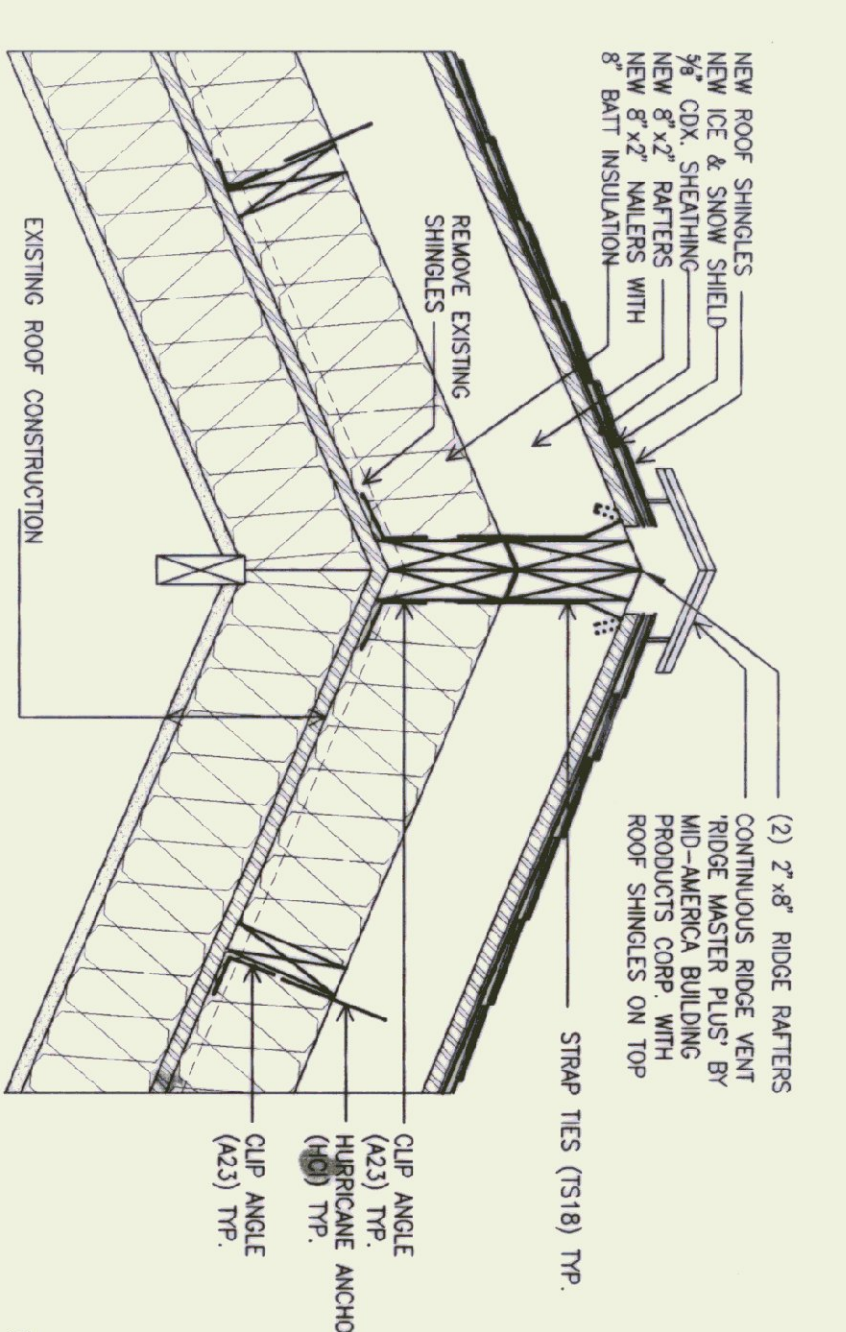
02 SITE - GRANITE CURB 1" = 1'-0"

03 SITE - ASPHALT PAVEMENT 1" = 1'-0"

04 SITE - PRECAST PAVERS 1" = 1'-0"

05 SITE - PRECAST PAVERS 1" = 1'-0"

06 SITE - PRECAST PAVERS 1/2" = 1'-0"



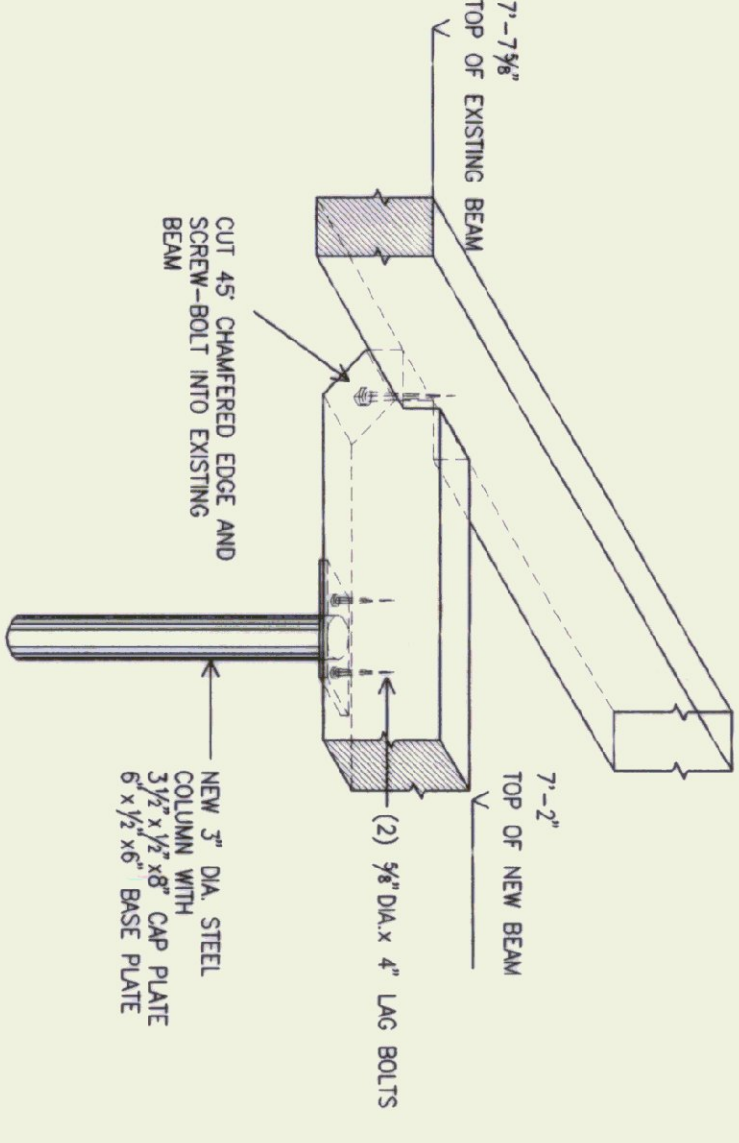
07 TYPICAL ROOF - SECTION 1" = 1'-0"

08 TYPICAL ROOF EAVE 1" = 1'-0"

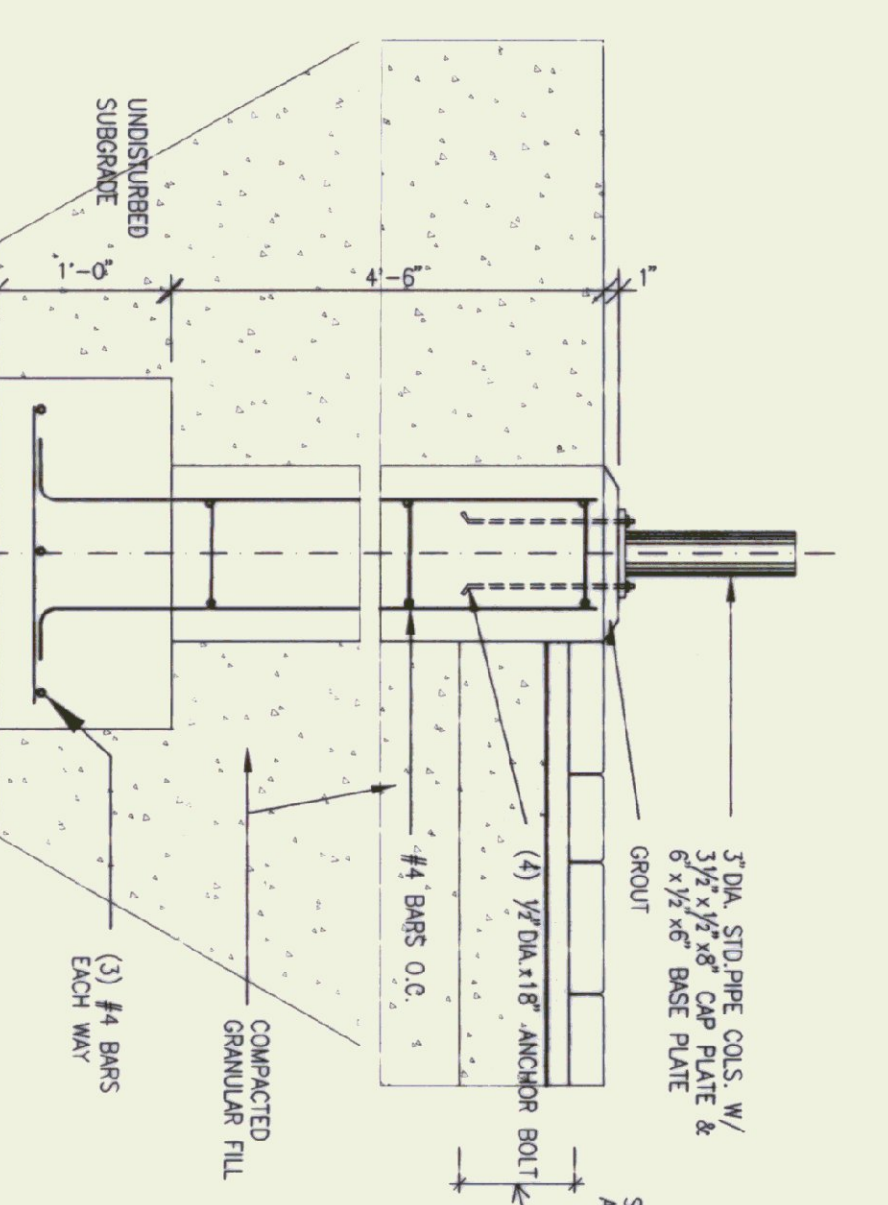
09 TYPICAL ROOF VALLEY 1" = 1'-0"

10 ROOF - SECTION DETAIL AT EXG/NEW ROOF 1" = 1'-0"

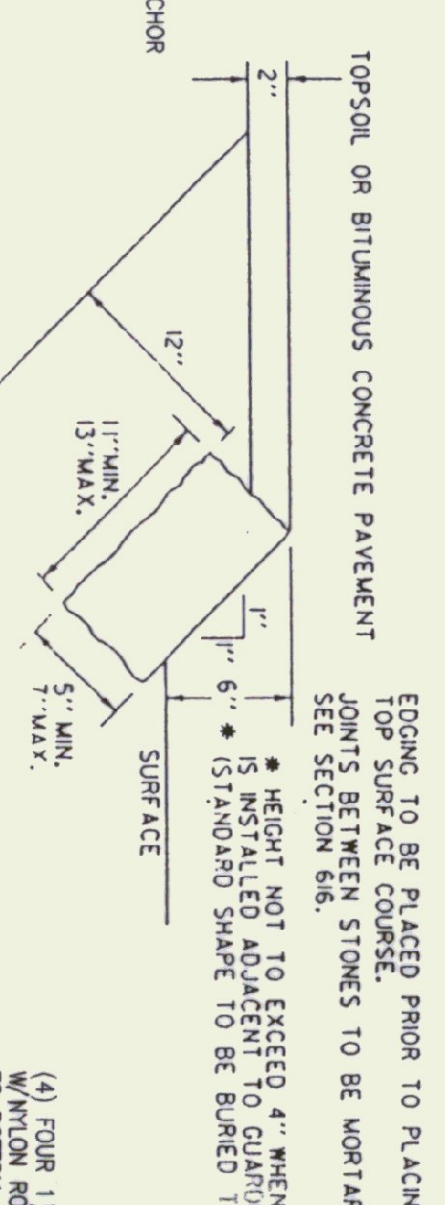
11 ROOF - SECTION CLOSETORY WINDOWS 1" = 1'-0"



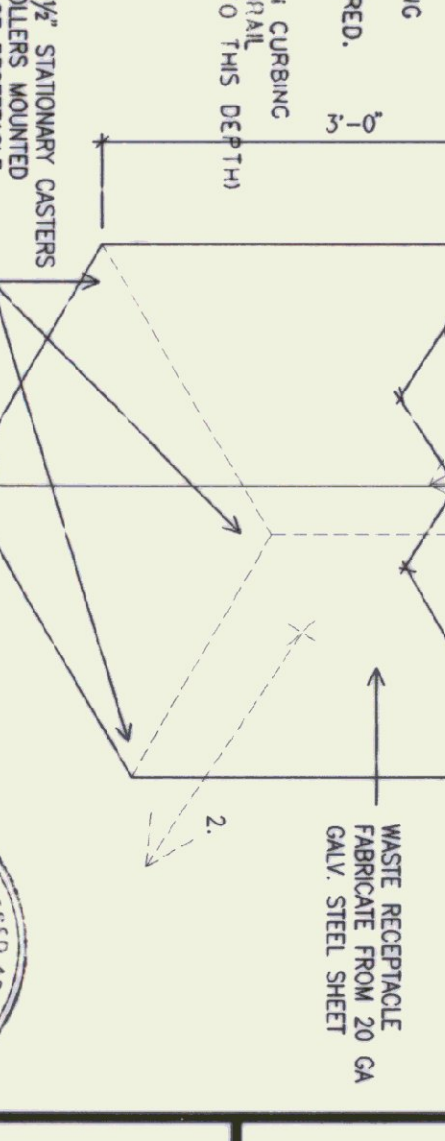
12 DETAIL ISOMETRIC EXISTING/NEW HEADER AT PORTICO 1" = 1'-0"



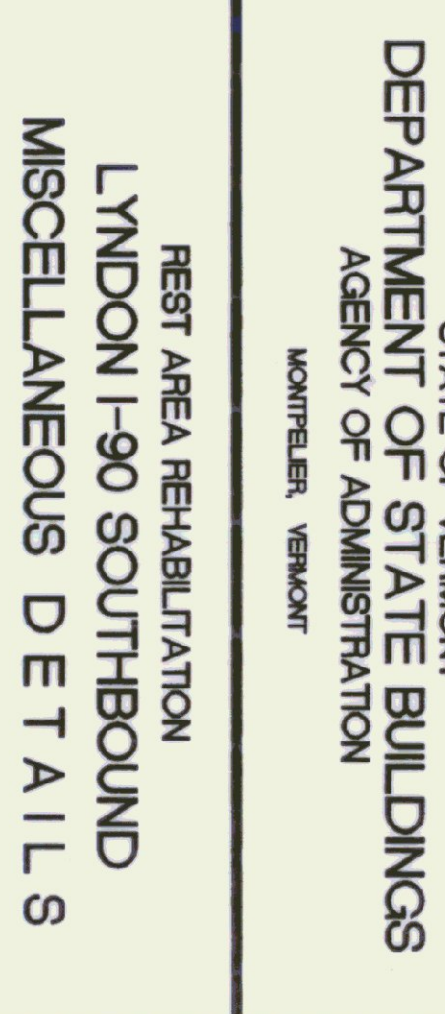
13 STRUCTURAL FOUNDATION DETAIL 1" = 1'-0"



17 GRANITE SLOPED EDGING NOT TO SCALE

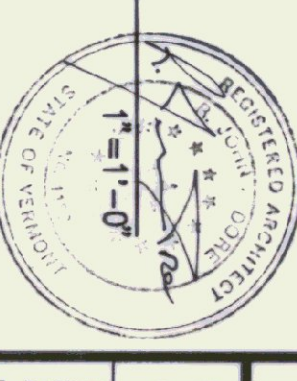


16 WASTE RECEPTACLE DETAILS



14 STRUCTURAL FOUNDATION DETAIL EXISTING \ NEW 1/2" = 1'-0"

15 CONCRETE ANCHOR FOR PILING AND BENCHES 1/2" = 1'-0"



STATE OF VERMONT DEPARTMENT OF STATE BUILDINGS AGENCY OF ADMINISTRATION MONTPELIER, VERMONT	
REST AREA REHABILITATION LYNDON I-90 SOUTHBOUND MISCELLANEOUS DETAILS	
DATE: JUNE 9, 1995	SCALE: AS NOTED
DRAWN BY: [Signature]	PROJECT NO.: IM-8104(2)
APPROVED BY: [Signature]	REVISIONS:
11 OF 29	DRAWING NO.: 08