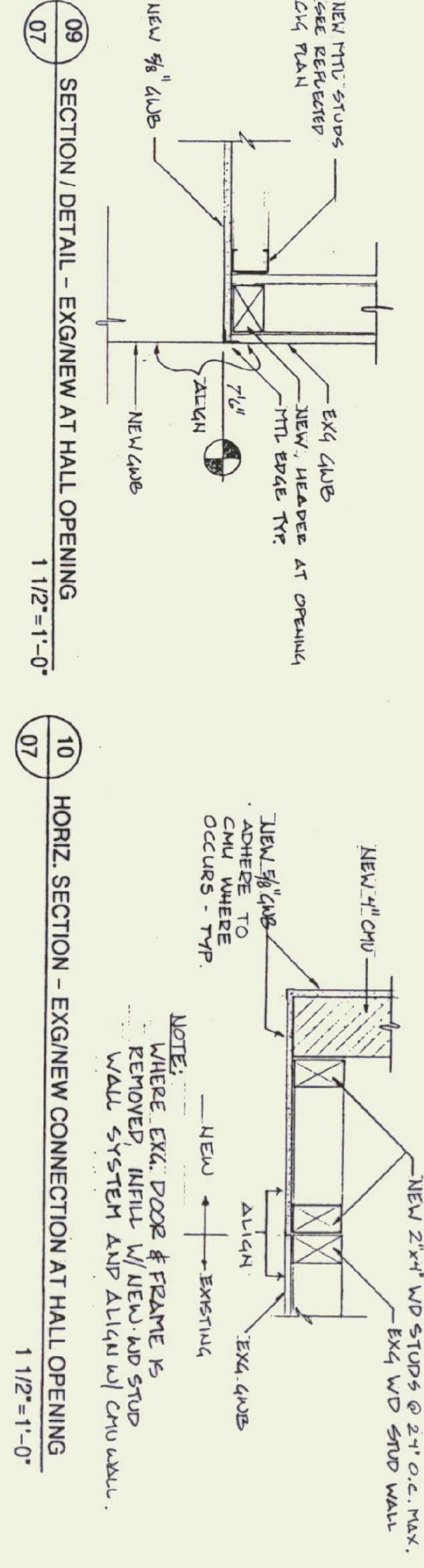
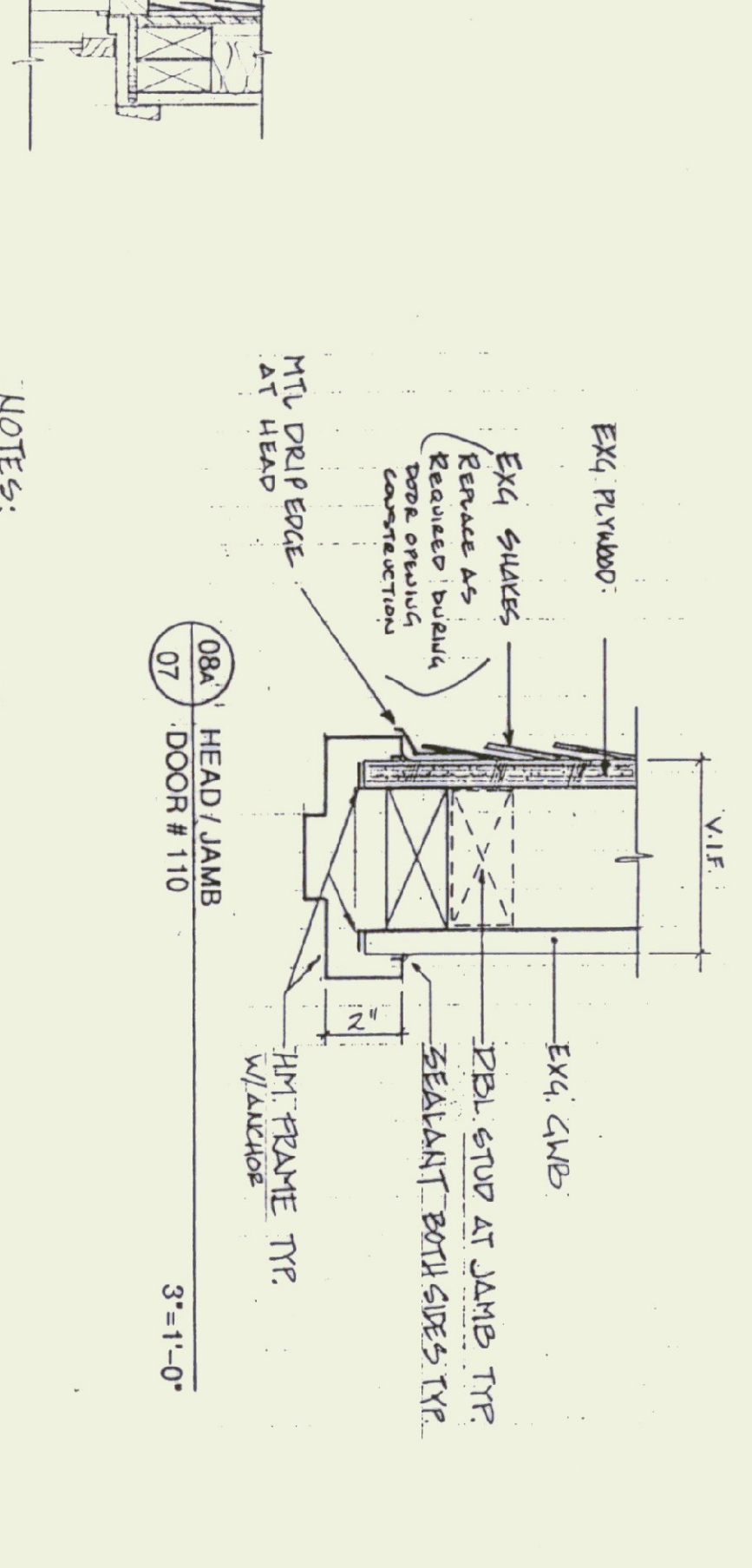


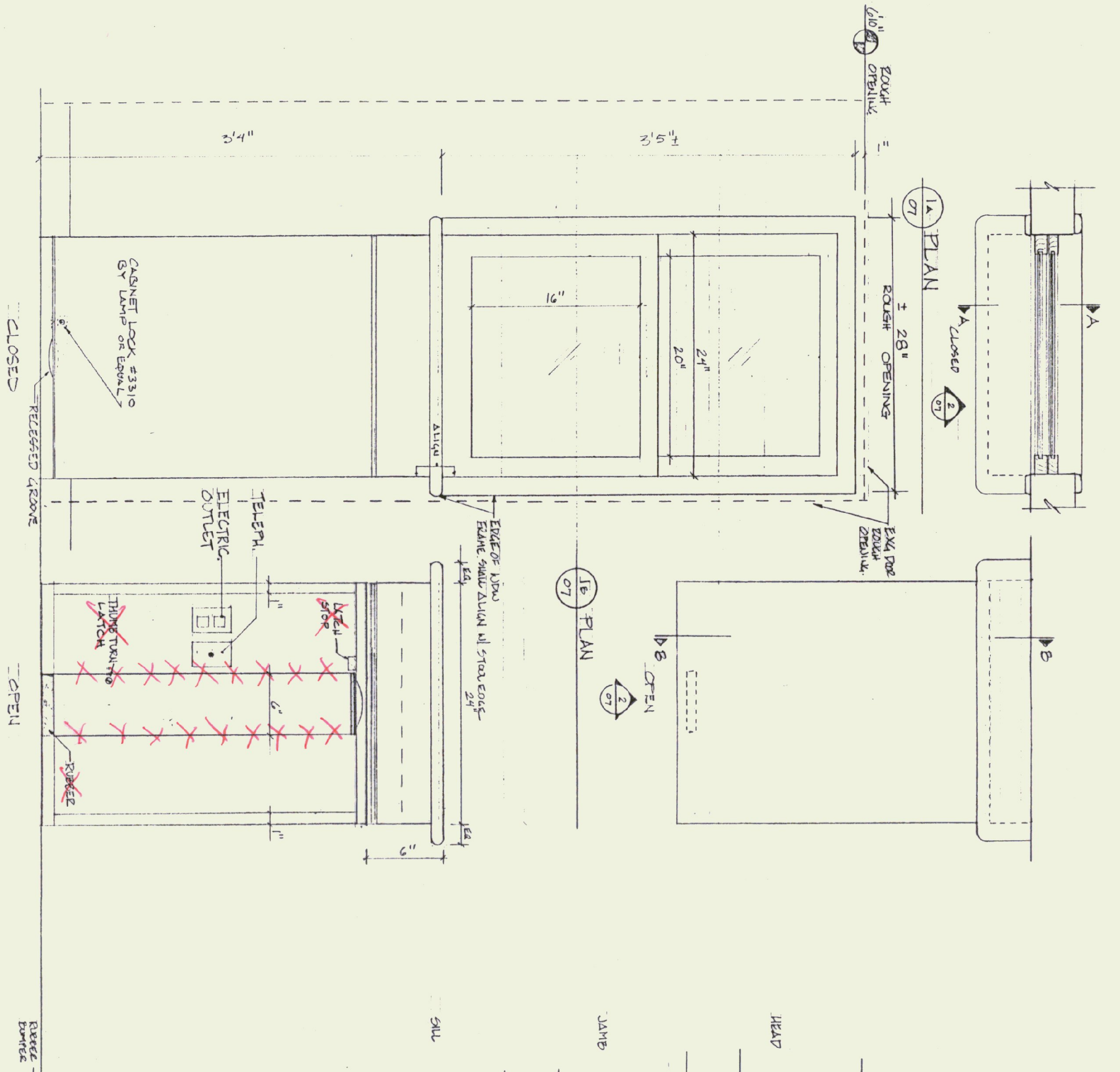
DOOR SCHEDULE										
DOOR #	TYPE	MAT.	W	H	MAT	FRAME	UNTEL THRU	LABEL	GROUP	REMARKS
101	A	AL	3'0"	6'0"	AL	02/10	-	-	1	*see section 09/400
102	A	AL	3'0"	6'0"	AL	02/10	-	-	1	*see section 09/400
103	EXG TO REMAIN	-	-	-	-	05/10	-	-	-	-
104	EXG TO REMAIN	-	-	-	-	-	-	-	-	-
105	EXG TO BE REMOVED	-	-	-	-	06/07	-	-	2	-
106	B	HM	2'0"	6'0"	HM	06/07	-	-	1	provide 6" x 6" one way light centered @ S.A.F.F.
107	B	HM	3'0"	6'0"	HM	06/07	-	-	1	-
108	C	HM	3'0"	6'0"	HM	06/07	-	-	2	-
109	EXG TO REMAIN	-	-	-	-	07/07	-	-	-	-
110	D	HM	2'4"	4'8"	HM	06/07	-	-	1	*use same threshold as entry doors
111	D	HM	2'4"	4'8"	HM	06/07	-	-	1	mfr. provides frame and hardware
112	EXG TO BE REMOVED	-	-	-	-	-	-	-	-	-
113	EXG TO BE REMOVED	-	-	-	-	-	-	-	-	-
114	D	HM	2'4"	2'4"	HM	-	-	-	-	mfr. provides frame and hardware



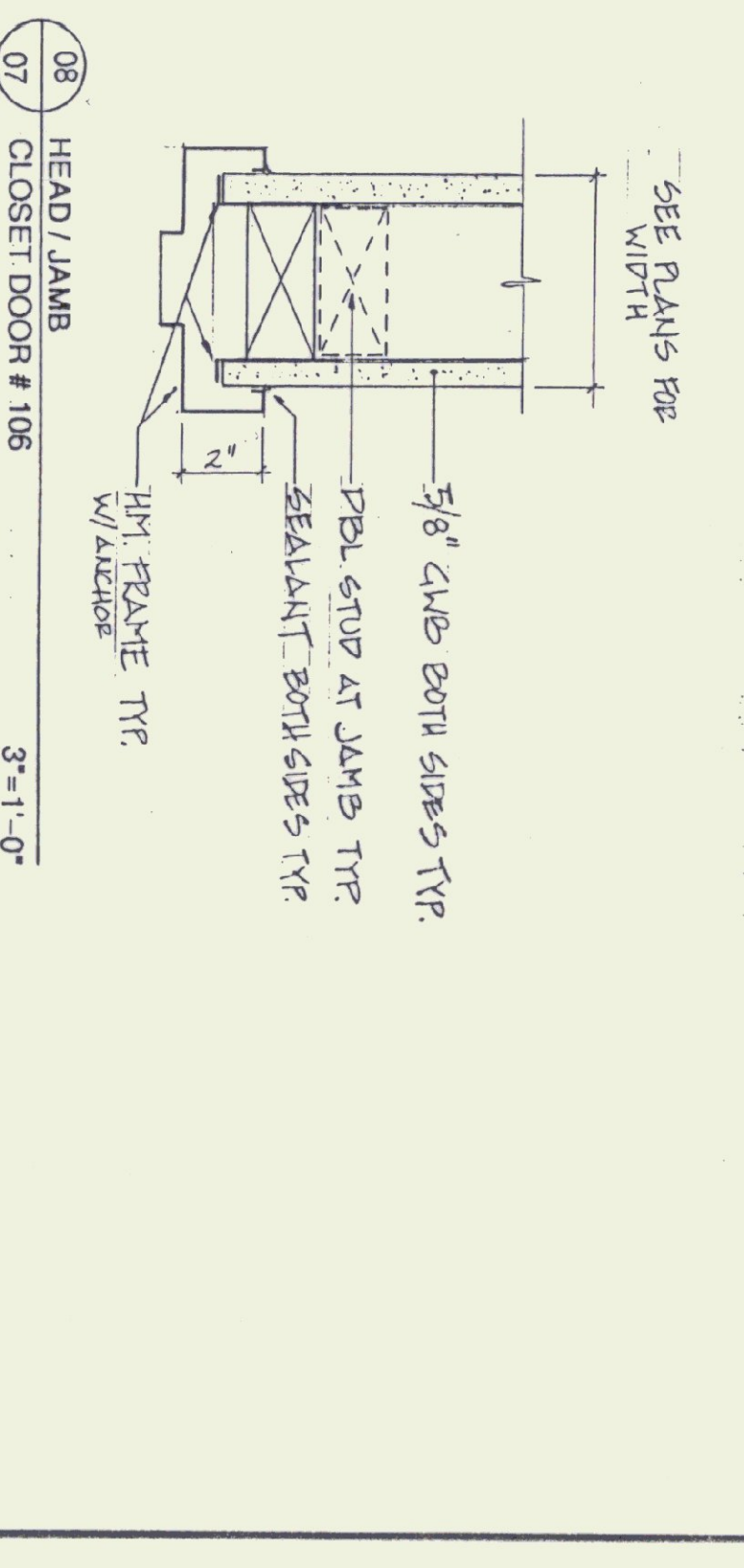
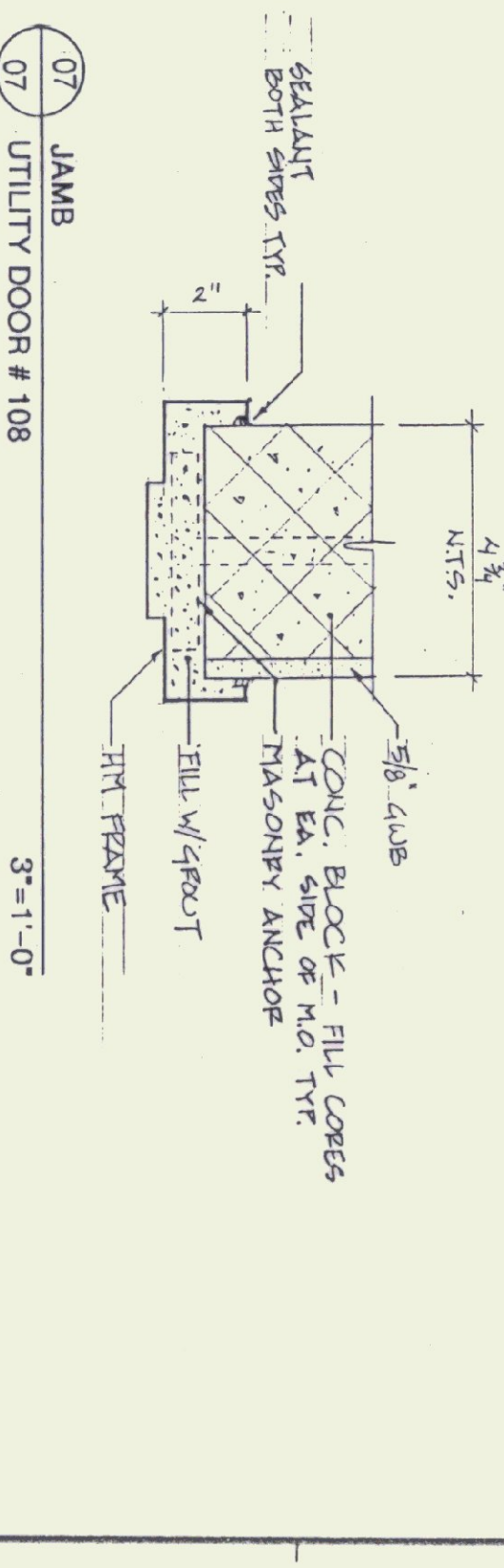
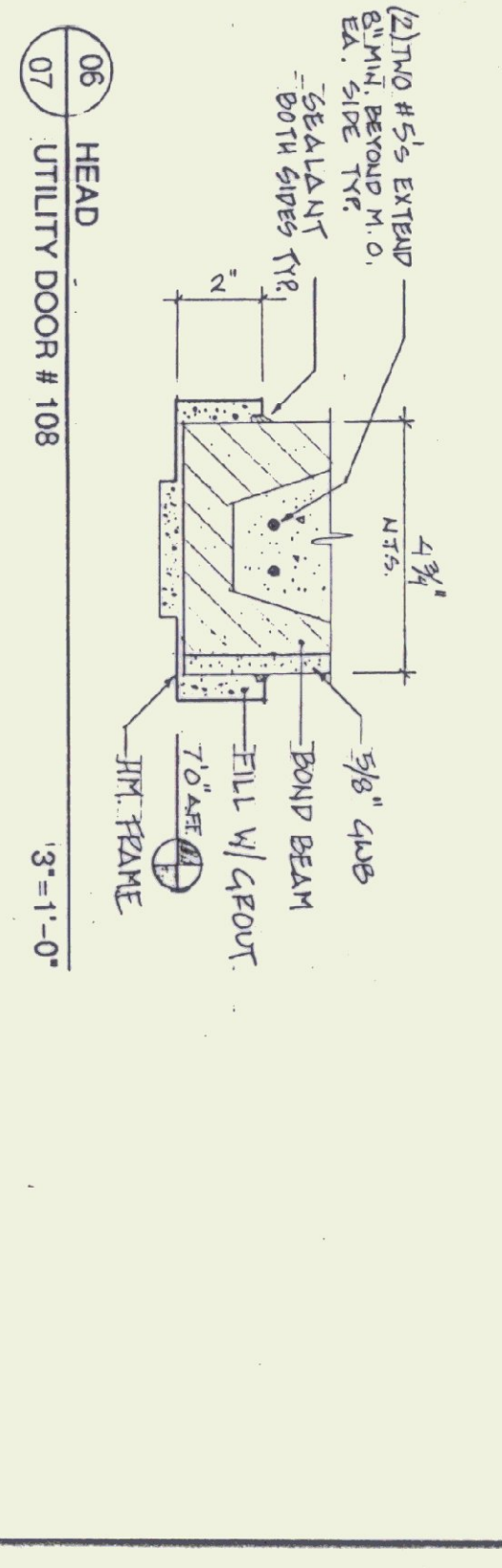
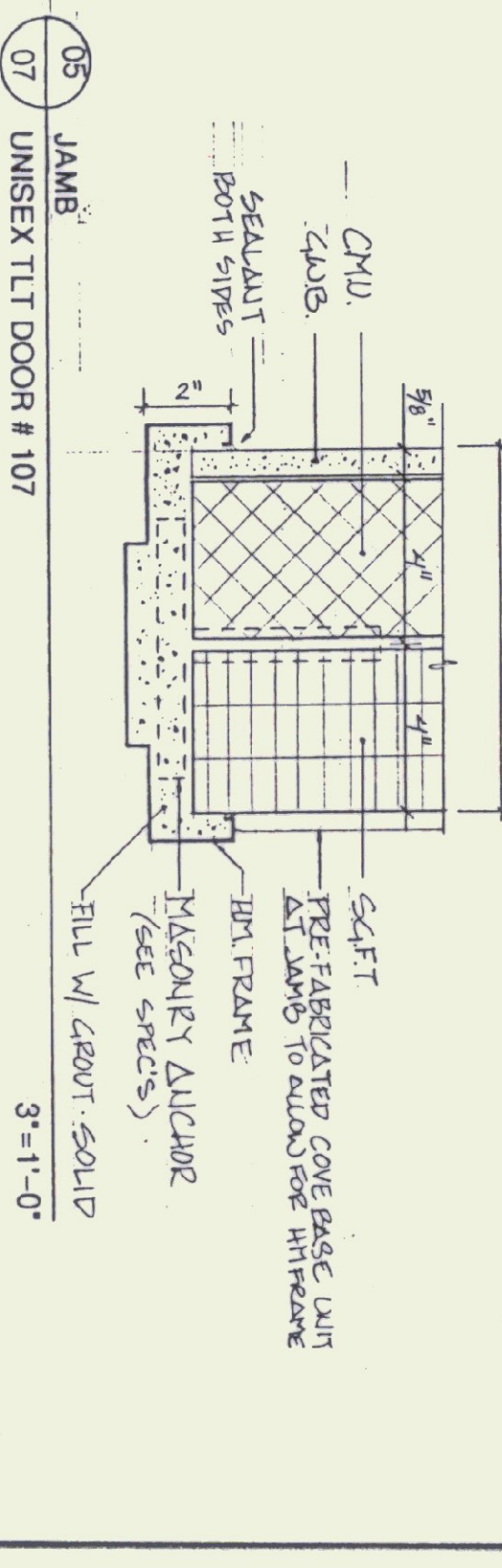
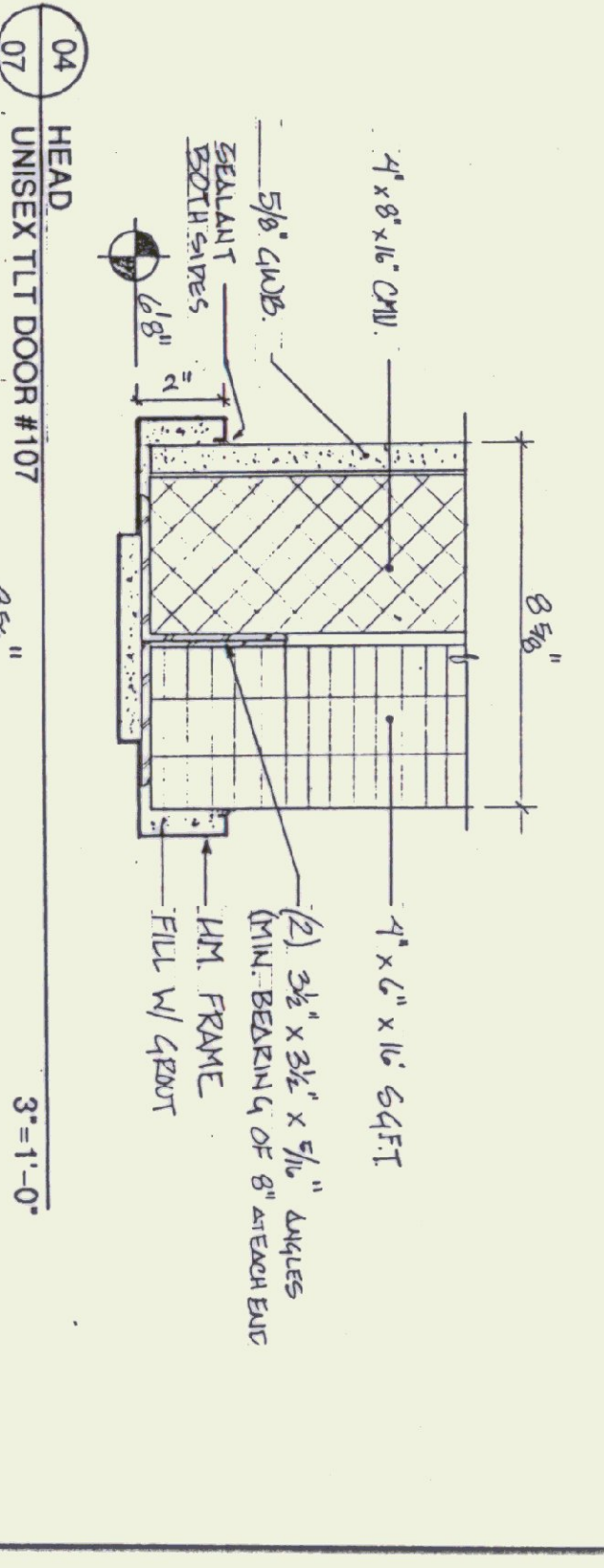
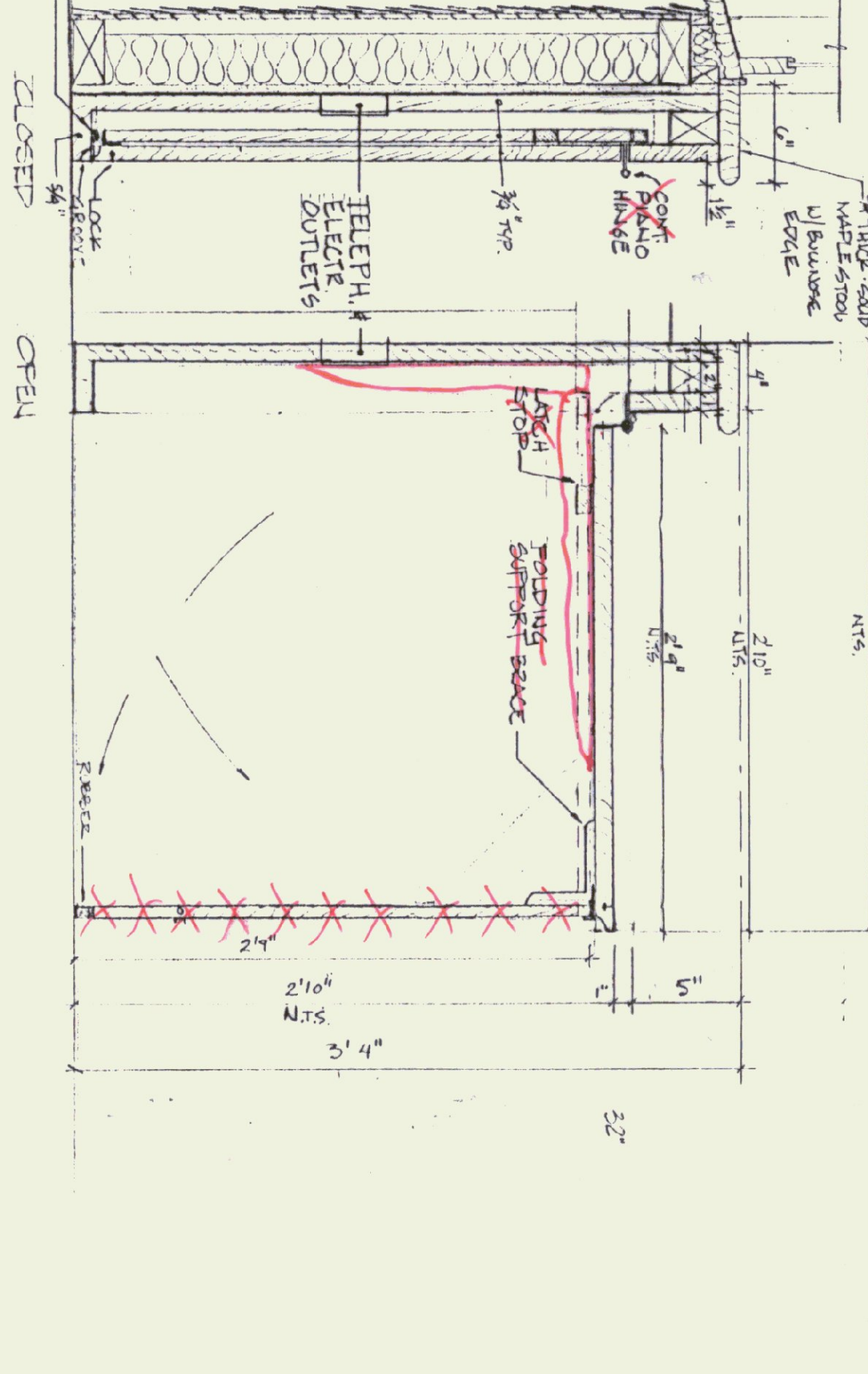
**DOOR TYPES**  
 TYPE A: SEE ELEVATIONS  
 TYPE B: FLUSH HOLLOW METAL  
 TYPE C: FLUSH HM WITH 6\"/>



**NOTES:**  
 1. AT ALL WOOD FASTENING LOCATIONS - COUNTERSINK SCREWS & NAILS.  
 2. BOUND ORNATE OF NEW JAMB SHALL FIT INTO EXG. BOUND OPENING. FROM REMOVED EXG. DOOR AT TOP AND THE SIDE CLOSEST TO ENTRY DOOR. (SEE SLIT)  
 3. IN MANUFACTURING THIS DOOR, KEEP IN MIND THAT IT SHOULD BE AS VANDAL RESISTANT AS POSSIBLE.  
 4. WINDOWS SHALL BE DOUBLE HUNG (WOOD) WITH A GLASS SIZE OF 20\"/>



**FRONT ELEVATION**  
 SCALE: 1/8\"/>



STATE OF VERMONT  
 DEPARTMENT OF STATE BUILDINGS  
 AGENCY OF ADMINISTRATION  
 MONTPELIER, VERMONT

REST AREA REHABILITATION  
 LYNDON I-91 SOUTHBOUND  
 FOLDING-TABLE/ DOOR + WDW DETLS

DATE: JUNE 9, 1995  
 SCALE: AS NOTED  
 DRAWN BY: [Signature]  
 PROJECT NO.: [Number]  
 SHEET: 10 OF 29

