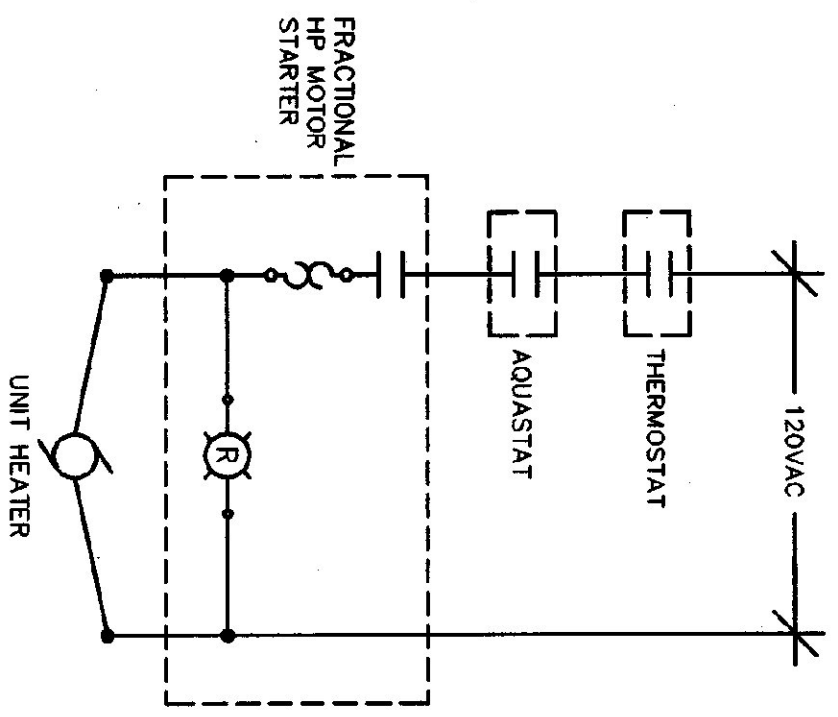


**SITE LIGHTING CONTROL DIAGRAM**

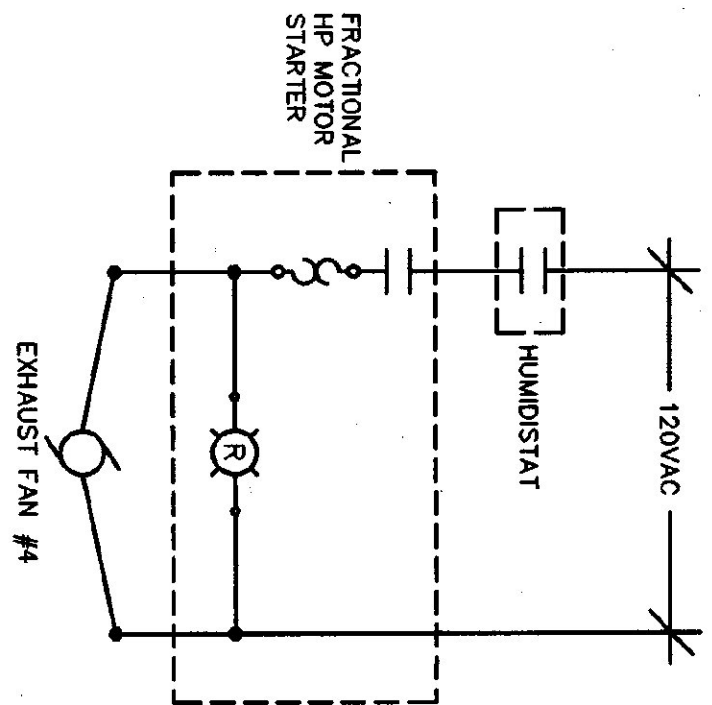
NOTES:  
1. REFER TO SPECIFICATIONS FOR PHOTOCELL, TIME CLOCK, AND LIGHTING CONTRACTOR REQUIREMENTS.



**THERMOSTAT/AQUASTAT CONTROL DIAGRAM**

SCALE: NONE

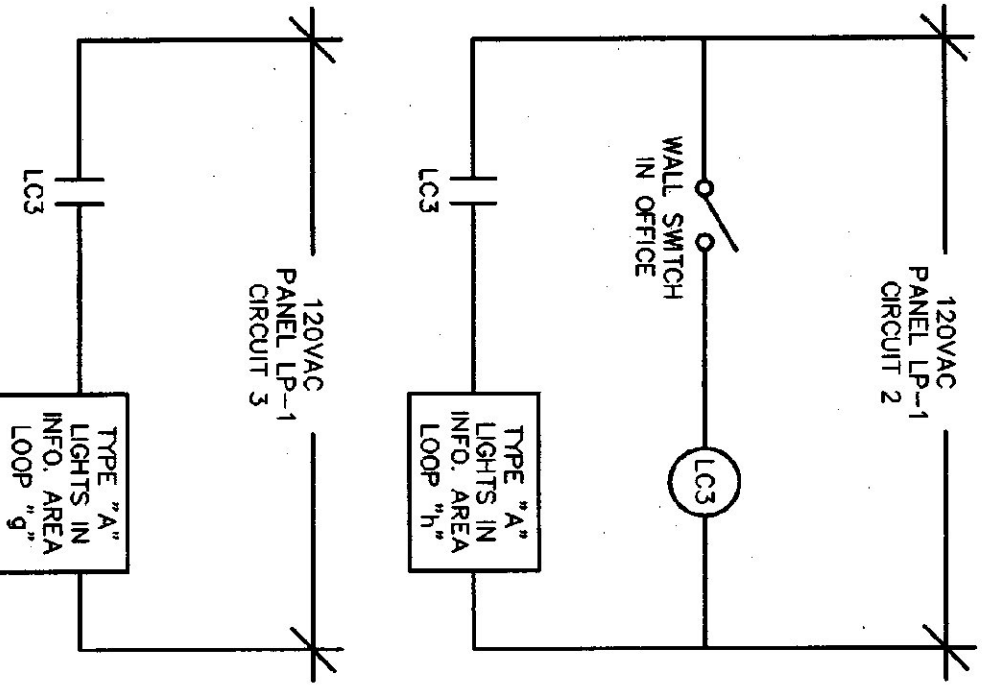
NOTES:  
1. THERMOSTAT AND AQUASTAT SHALL BE PROVIDED BY MECHANICAL CONTRACTOR. MECHANICAL CONTRACTOR TO INSTALL AQUASTAT AND ELECTRICAL CONTRACTOR TO INSTALL THERMOSTAT AT LOCATION SHOWN ON DRAWINGS.



**HUMIDISTAT CONTROL DIAGRAM**

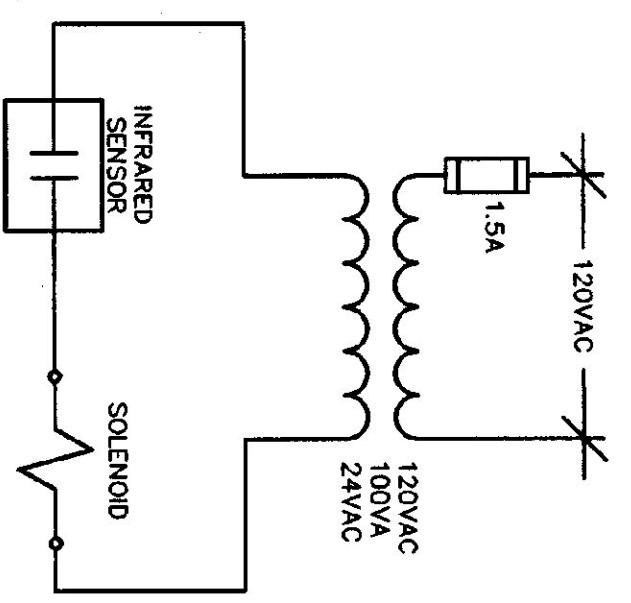
SCALE: NONE

NOTES:  
1. HUMIDISTAT SHALL BE PROVIDED BY MECHANICAL CONTRACTOR, AND INSTALLED BY ELECTRICAL CONTRACTOR.



**MAIN FLOOR LIGHTING CONTROL DIAGRAM**

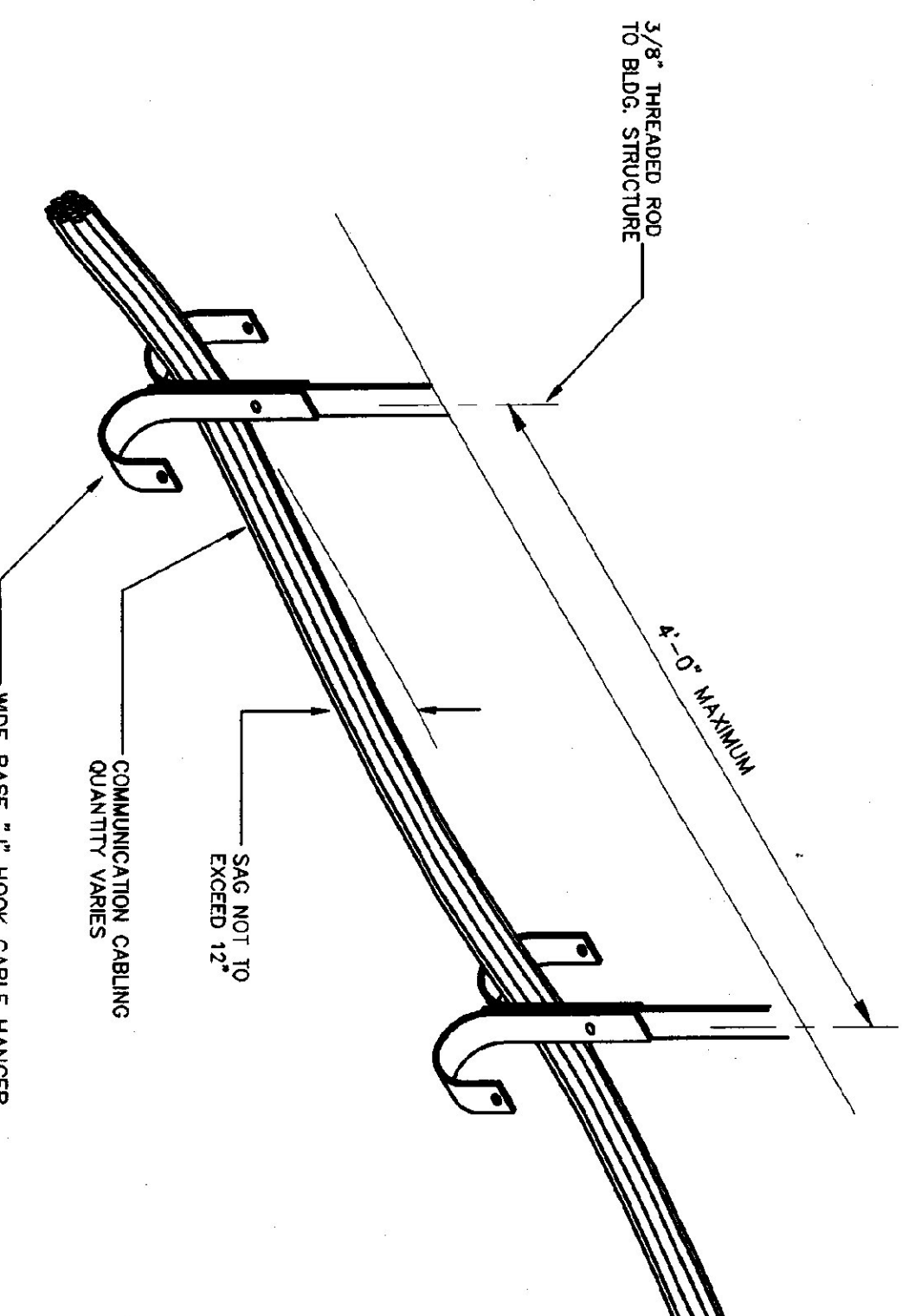
SCALE: NONE



**TYPICAL URINAL WATER CLOSET WIRING DIAGRAM**

SCALE: NONE

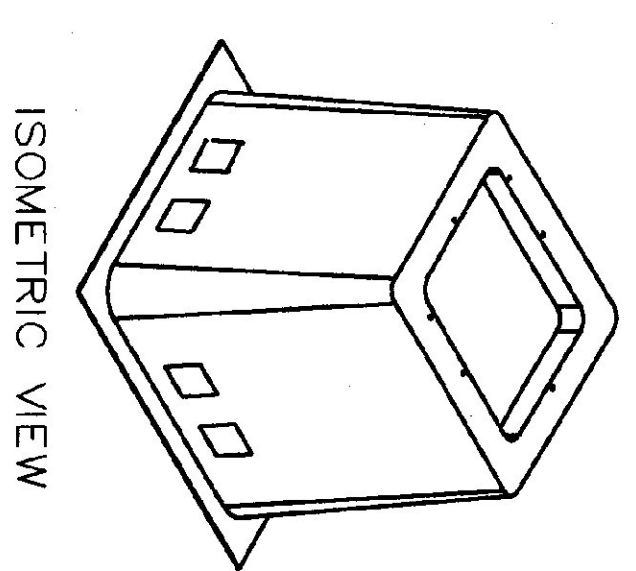
NOTES:  
1. INFRARED SENSOR AND SOLENOID SHALL BE PROVIDED BY MECHANICAL CONTRACTOR AND INSTALLED BY ELECTRICAL CONTRACTOR.  
2. PROVIDE AN 8" x 8" x 6" HINGED ENCLOSURE FOR TRANSFORMER



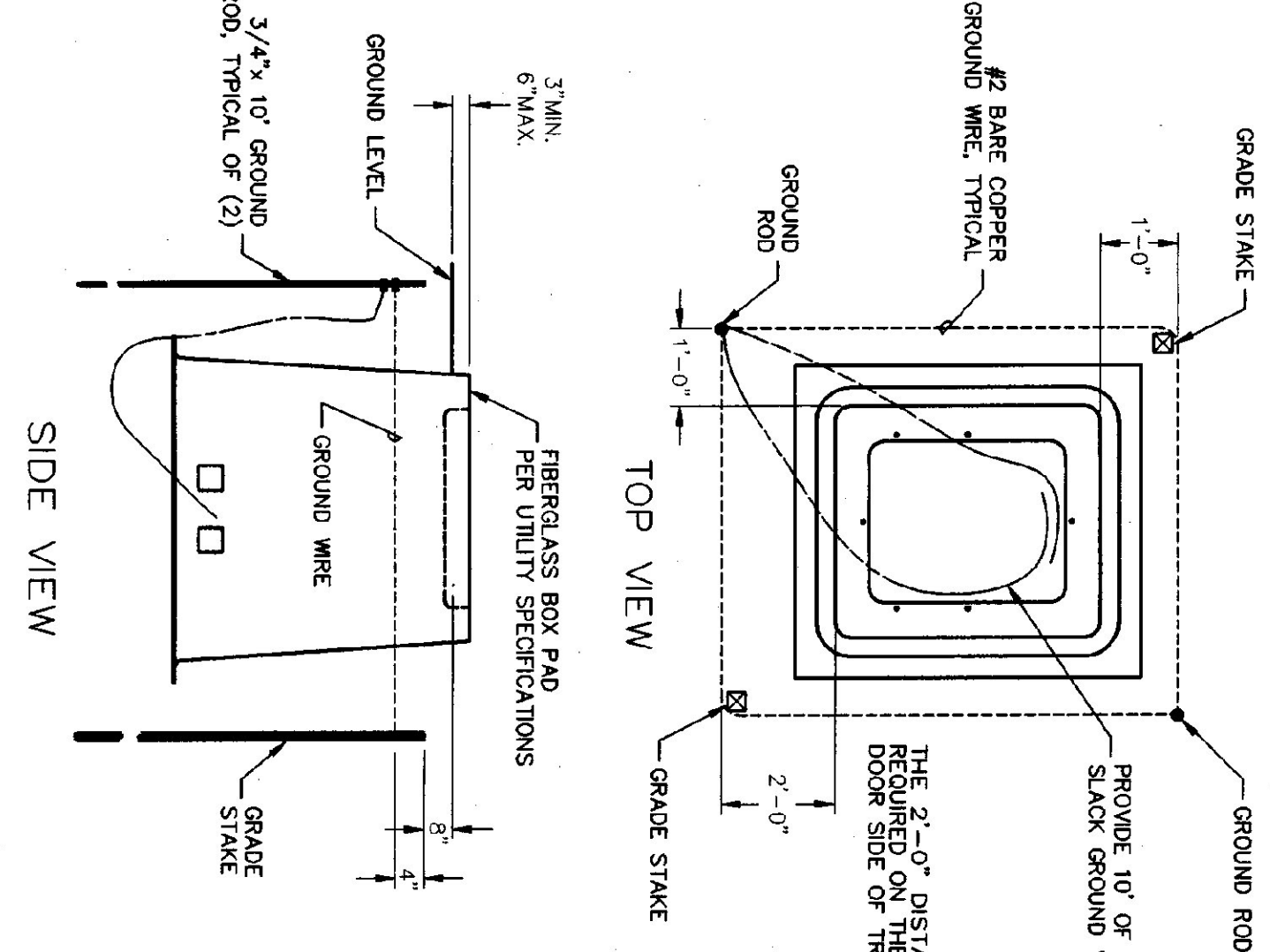
**CABLE MANAGEMENT DETAIL**

SCALE: NONE

1. WHEN MAKING BENDS OR CORNERS MAINTAIN A MAXIMUM BEND RADIUS PER EIA/TIA STANDARDS AND MANUFACTURERS RECOMMENDATIONS.
2. INSTALL MULTIPLE CLOSELY SPACED CABLE HANGERS ON CORNERS TO MAINTAIN PROPER BENDING RADIUS.
3. CABLING SHALL BE ROUTED TO AVOID ALL SOURCES OF EMI OR AMBIENT ELECTRICAL NOISE WHENEVER POSSIBLE. MINIMUM DISTANCES FROM FROM EMI SOURCES ARE AS FOLLOWS:  
 - FIVE (5) INCHES FROM UNSHIELDED POWER LINES OF < 2 KVA.  
 - TWELVE (12) INCHES FROM UNSHIELDED POWER LINES OF 2 TO 5 KVA.  
 - TWENTY FOUR (24) INCHES FROM UNSHIELDED POWER LINES OF > 5 KVA.  
 - TWELVE (12) INCHES FROM HIGH VOLTAGE LIGHTING INCLUDING FLUORESCENT - FORTY (40) INCHES FROM TRANSFORMERS AND ELECTRIC MOTORS.  
 - NO CABLE RUNS SHOULD BE PARALLEL WITH AC LINES.
4. FINISH AND INSTALL 4\"/>

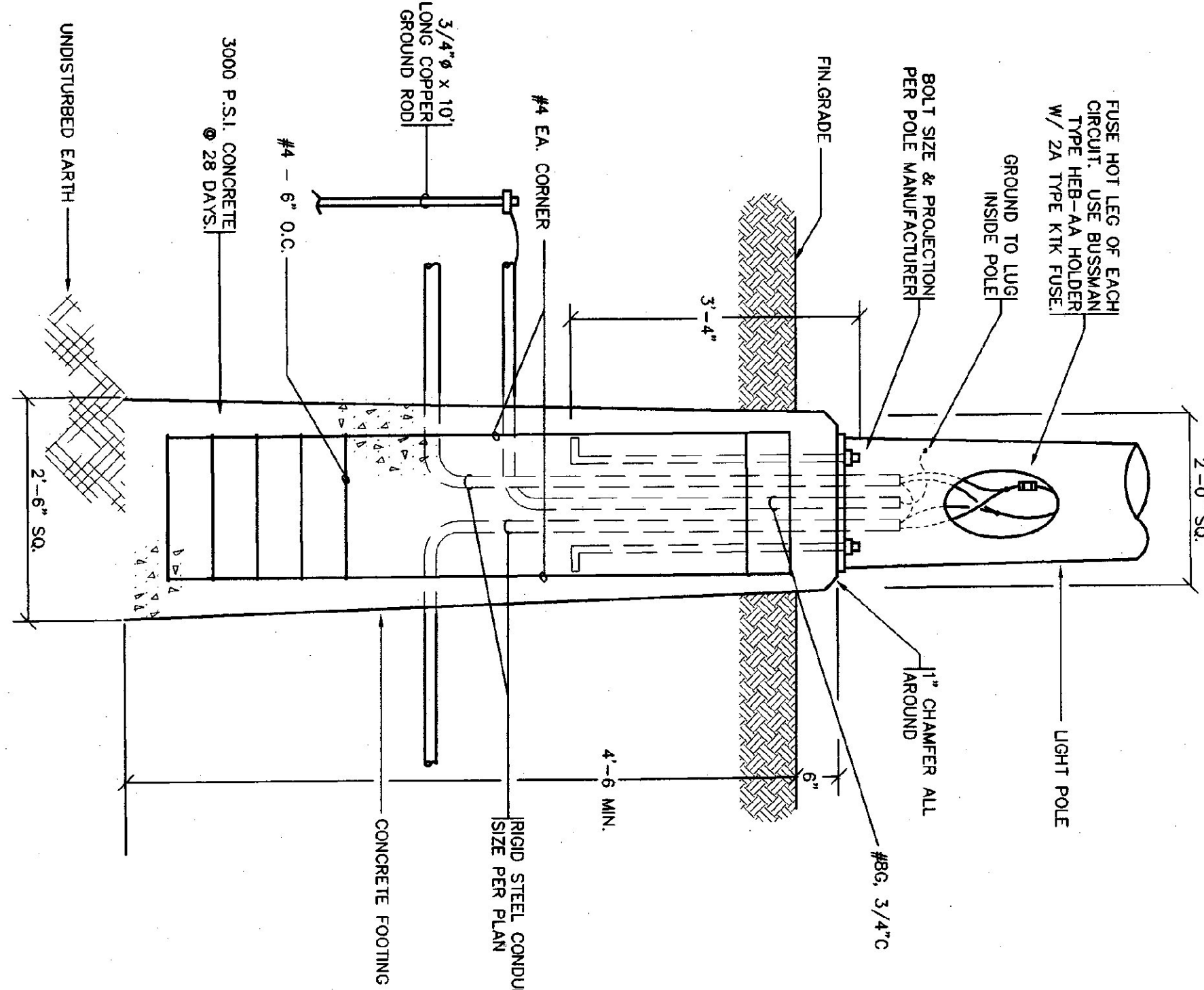


**ISOMETRIC VIEW**



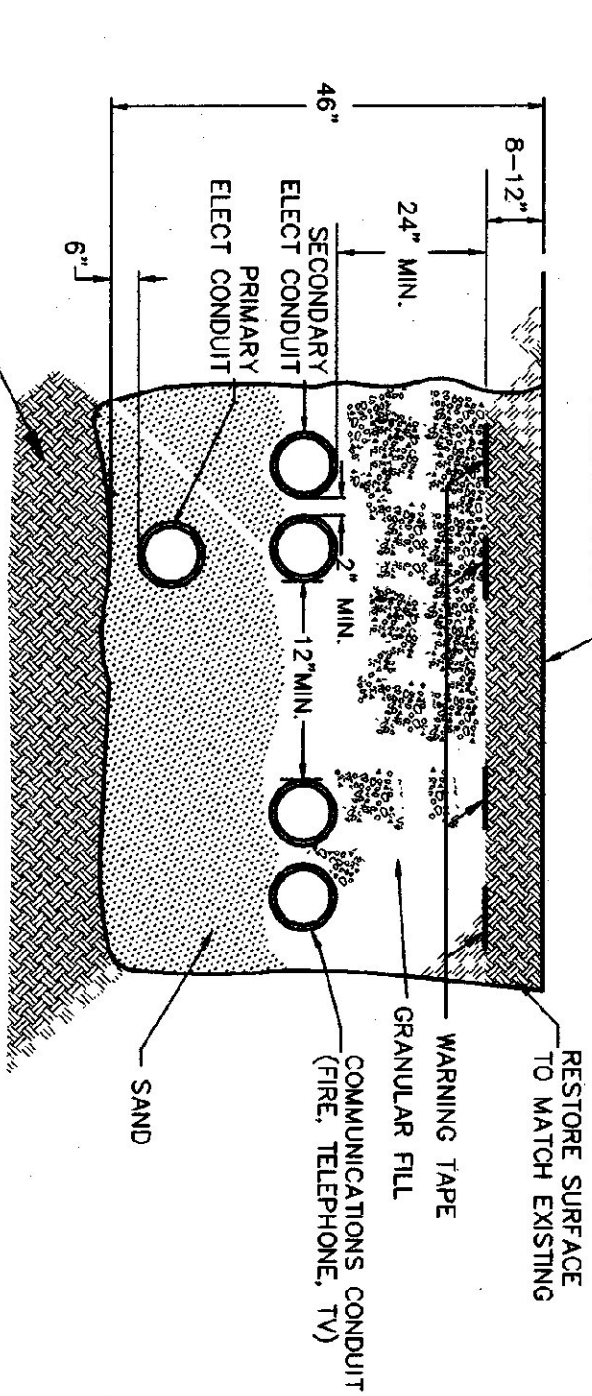
**TRANSFORMER PAD DETAIL**

NO SCALE



**LIGHT POLE BASE DETAIL**

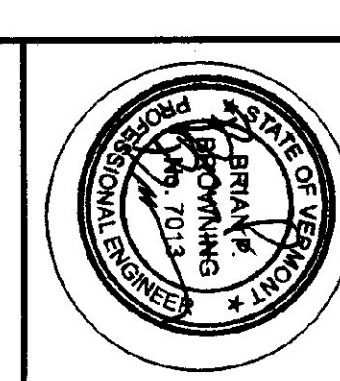
NO SCALE



**UNDERGROUND CONDUIT DETAIL**

NO SCALE

- GENERAL NOTES:
1. ELECTRIC UTILITY POWER ENGINEER MUST INSPECT ALL UNDERGROUND CONDUIT PRIOR TO BACKFILLING.
  2. WHEN BURIAL DEPTH IS LESS THAN 75% OF THE DEPTH SHOWN, RIGID STEEL CONDUIT OR CONCRETE ENCASMENT MUST BE USED.
  3. WHERE CONDUITS RUN UNDER ROADWAY OR PARKING AREA CONCRETE ENCASMENT MUST BE USED.



**DUNCAN • WISNIEWSKI ARCHITECTURE**  
255 SOUTH CHAMPLAIN STREET, BURLINGTON, VERMONT 05401 (802) 864-8688

**Hallam Associates**  
80 Farrell Street, Suite 300  
So. Burlington, Vermont 05403  
(802) 658-4891

**WILLISTON INFORMATION CENTER**  
189 SOUTHBOUND  
STATE PROJECT # IM-BLDG (4)

**ELECTRICAL DETAILS**

DS/AMW: PROJ/NO:  
KES: 10215

CHECKED: DATE:  
BPP: JAN 16, 2001

**E-7sb**