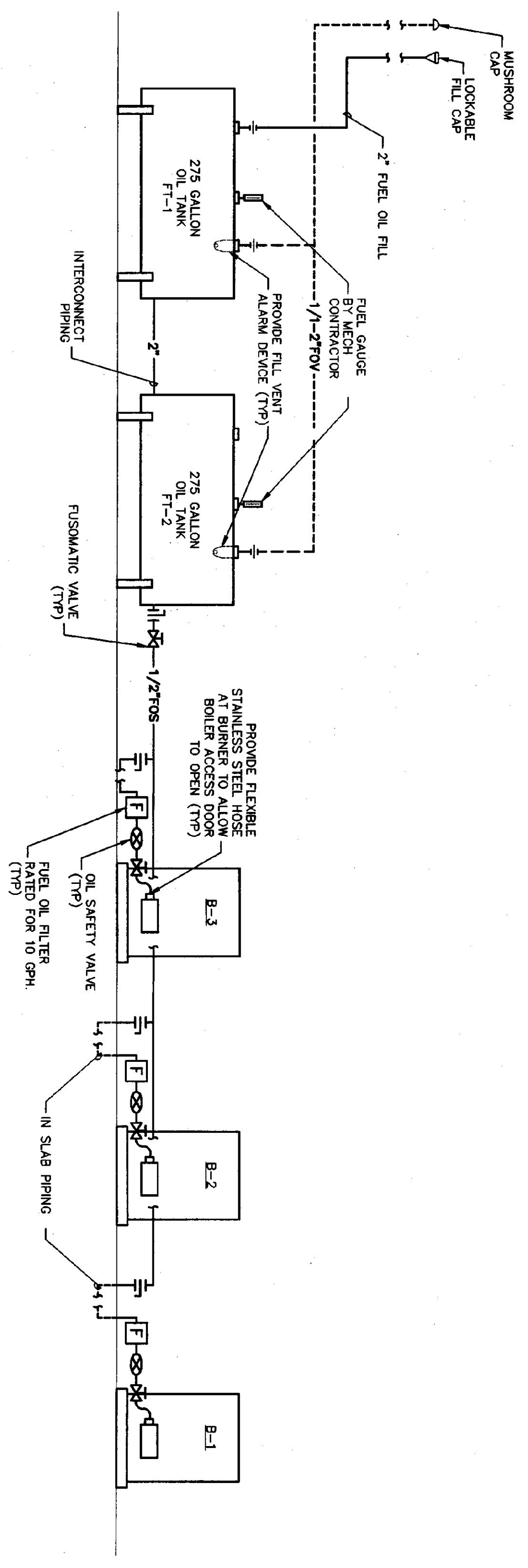
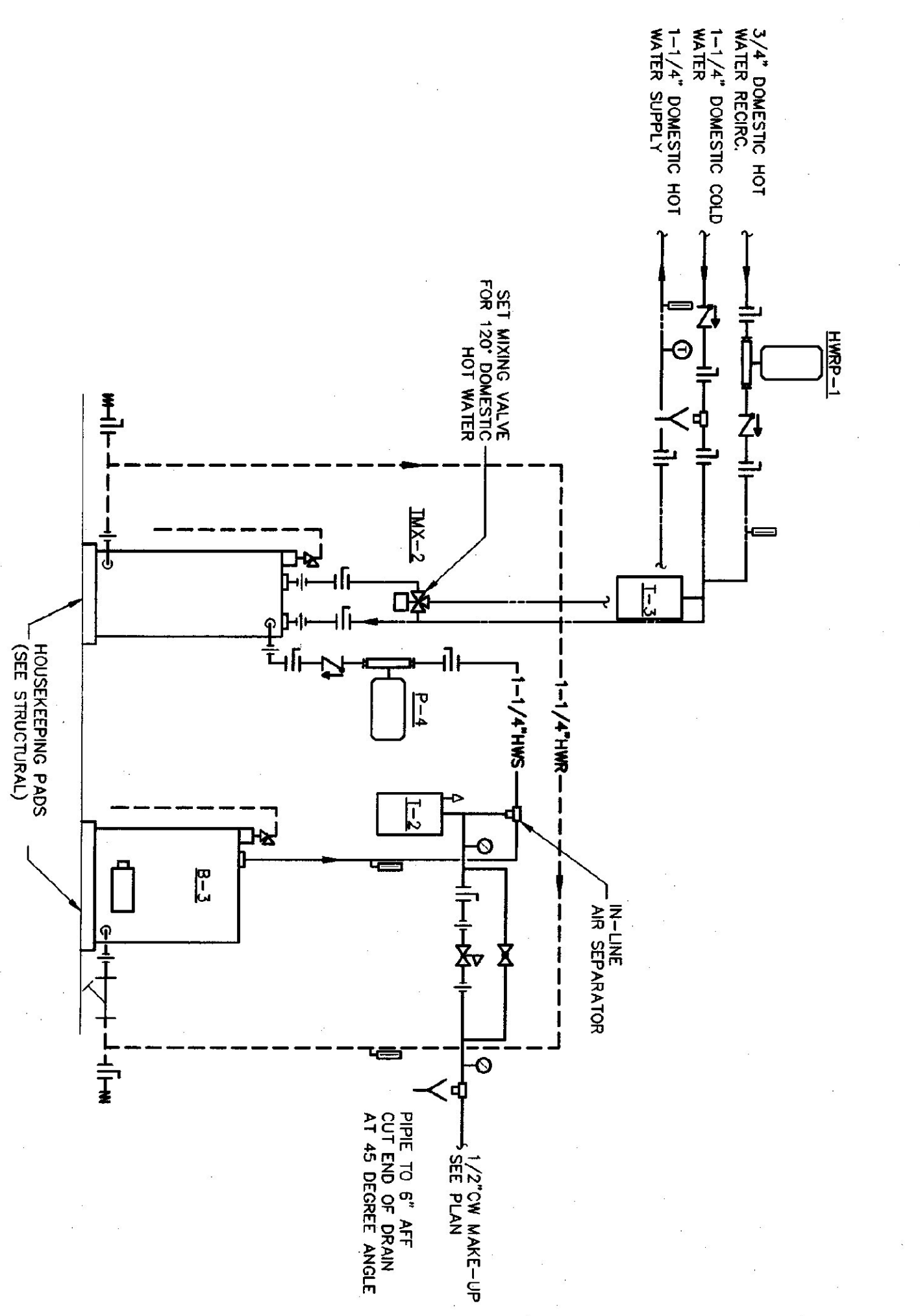


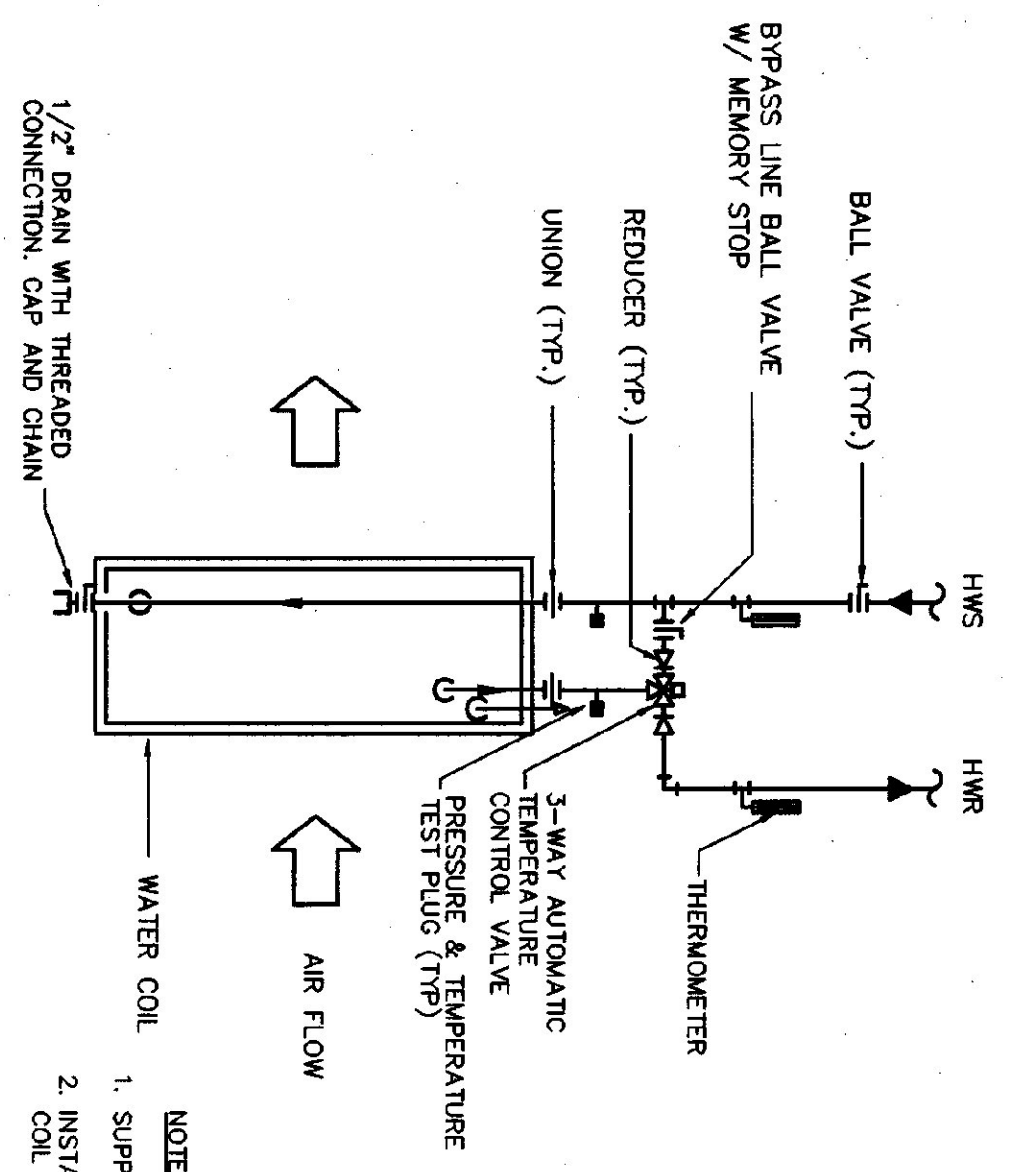
**HEATING HOT WATER/BOILER PIPING SCHEMATIC**  
SCALE: NONE



**OIL PIPING SCHEMATIC**  
SCALE: NONE



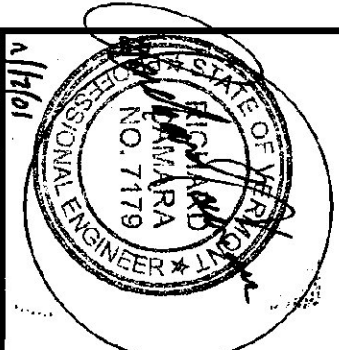
**DOMESTIC HW BOILER PIPING SCHEMATIC**  
SCALE: NONE



**AHU WATER COIL PIPING DETAIL**  
SCALE: NONE

- NOTES:**
1. SUPPORT PIPING INDEPENDENT OF COIL.
  2. INSTALL SO AS NOT TO INTERFERE WITH COIL REMOVAL OR AHU ACCESS DOORS.

- NOTES:**
1. SET BOILER (B-3) ADJUST FOR 180° WATER.
  2. THREE WAY VALVES ARE SHOWN SCHEMATICALLY AND PIPING SHALL BE MANUFACTURER RECOMMENDATIONS.



No.	DATE	REVISION

**DUNCAN • WISNIEWSKI ARCHITECTURE**  
265 SOUTH CHAMPLAIN STREET, BURLINGTON, VERMONT 05401 (802) 864-9693

**Hallam Associates**  
60 Farrell Street, Suite 300  
So. Burlington, Vermont 05403  
(802) 658-4881

**WILLISTON INFORMATION CENTER**  
189 SOUTHBOUND  
STATE PROJECT # IM-BLDG (4)

**HVAC FLOW SCHEMATIC**

DRAWN: JLL/MDH  
CHECKED: JLL/MDH  
DATE: JAN 15, 2001

**H-8sb**