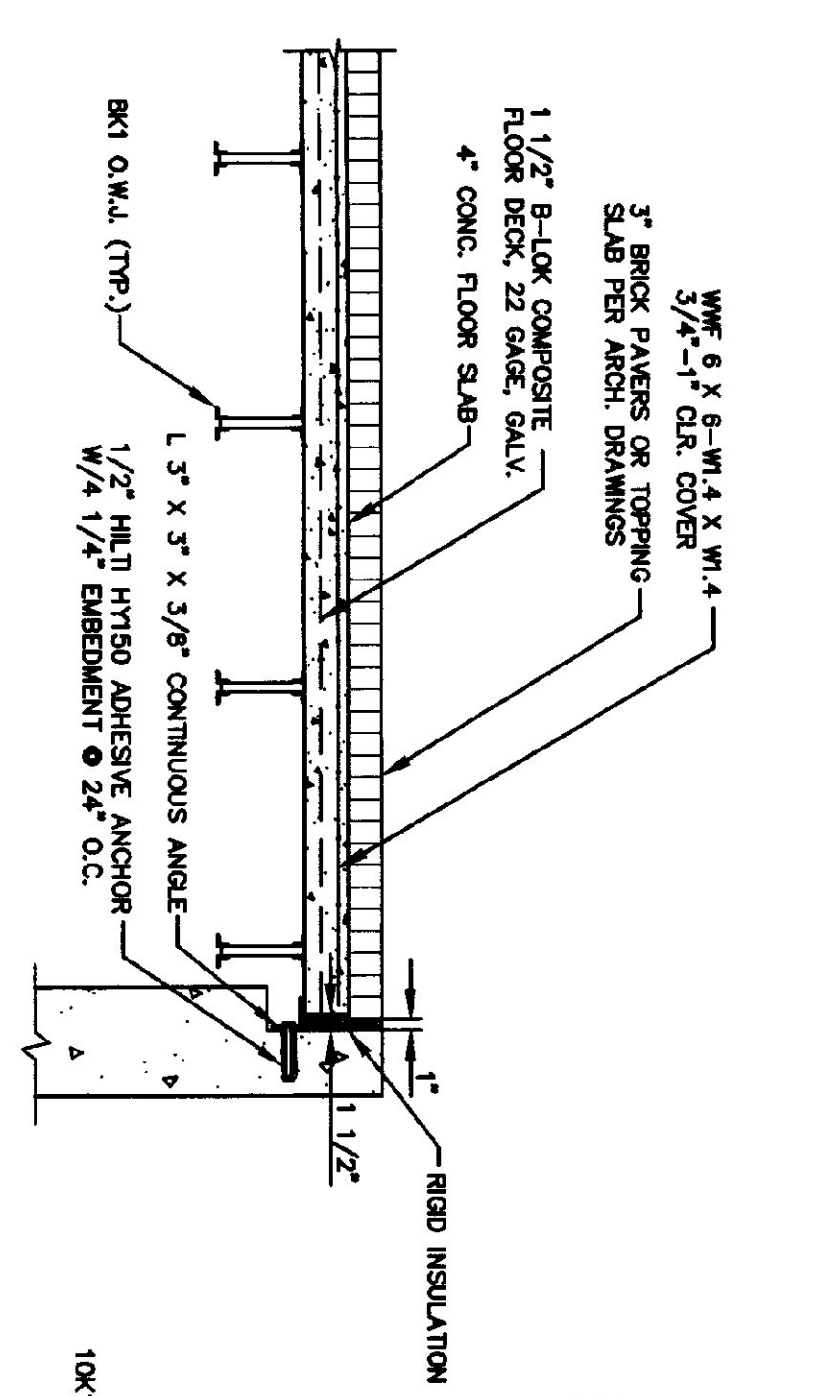
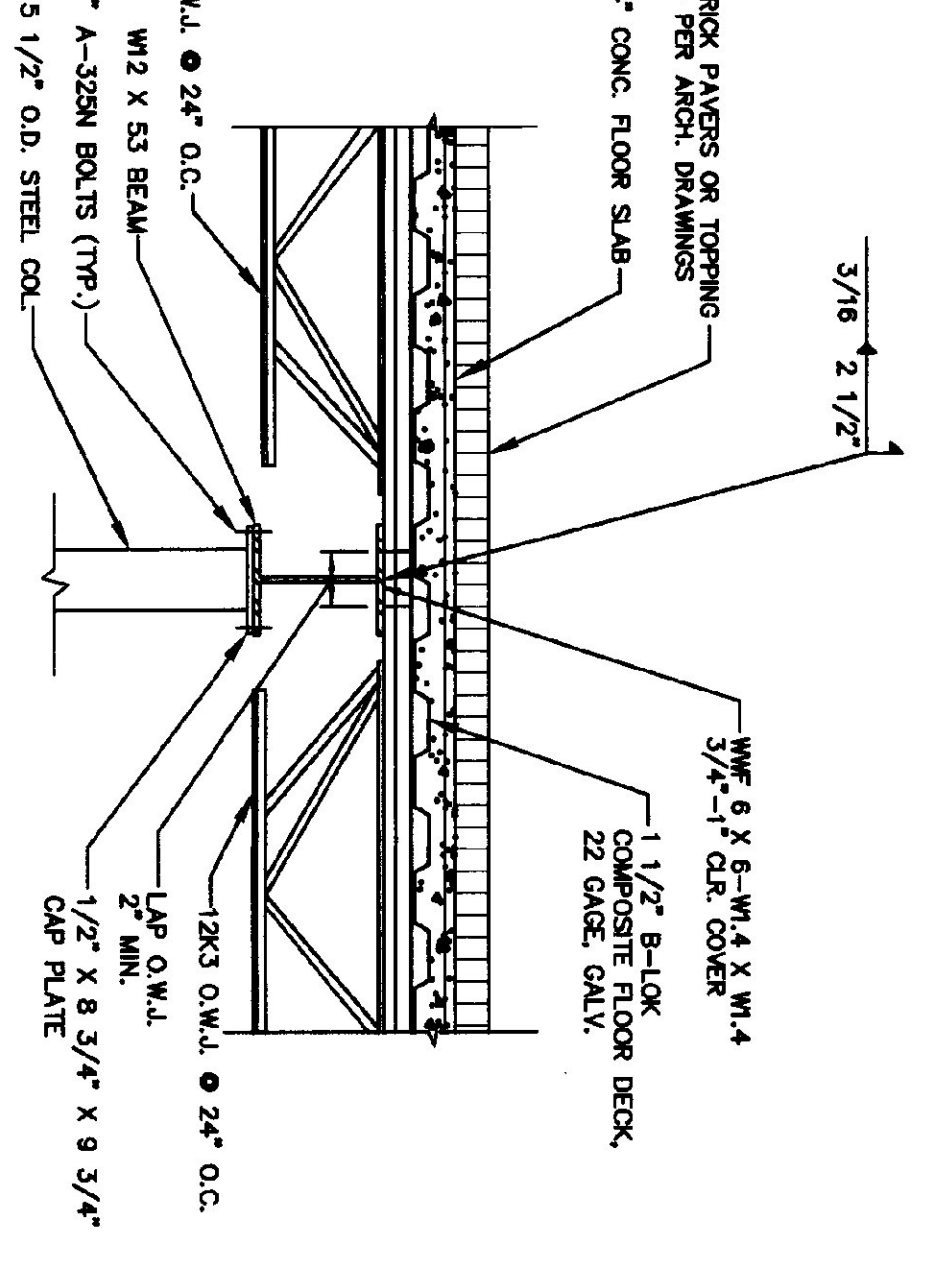


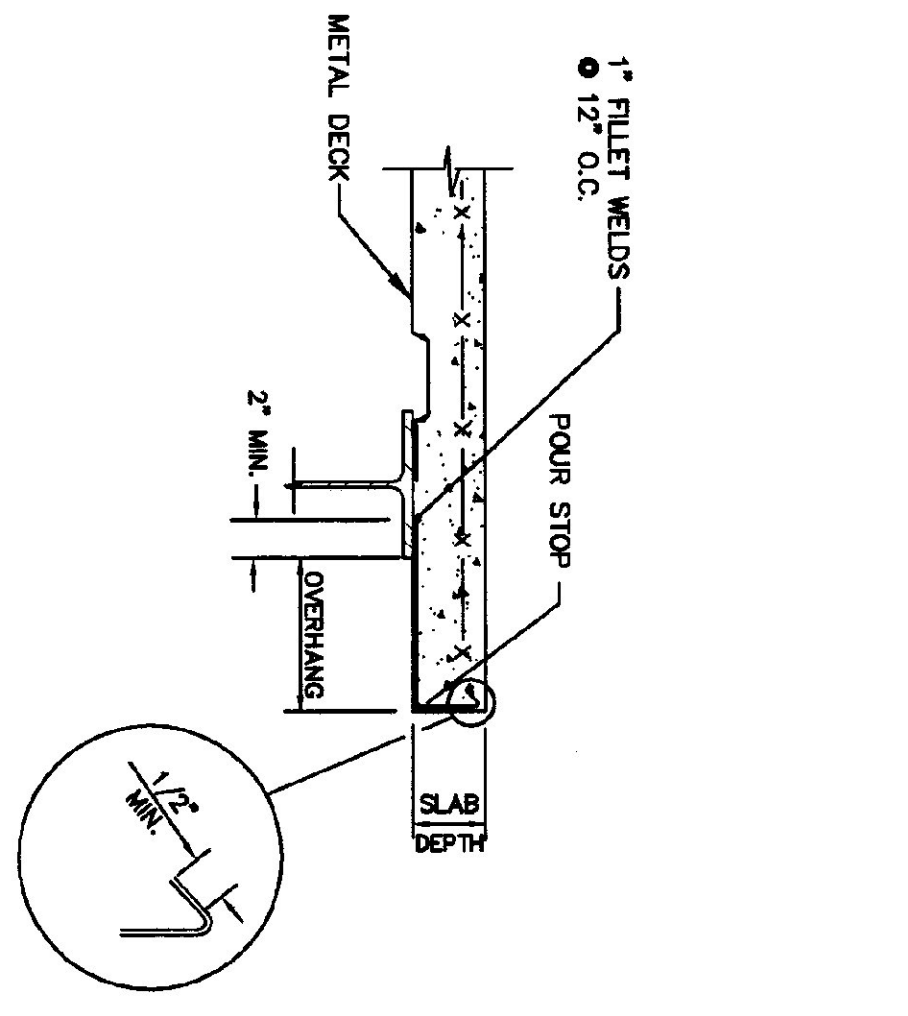
1 TYPICAL ENDWALL DETAIL
3/4\"/>



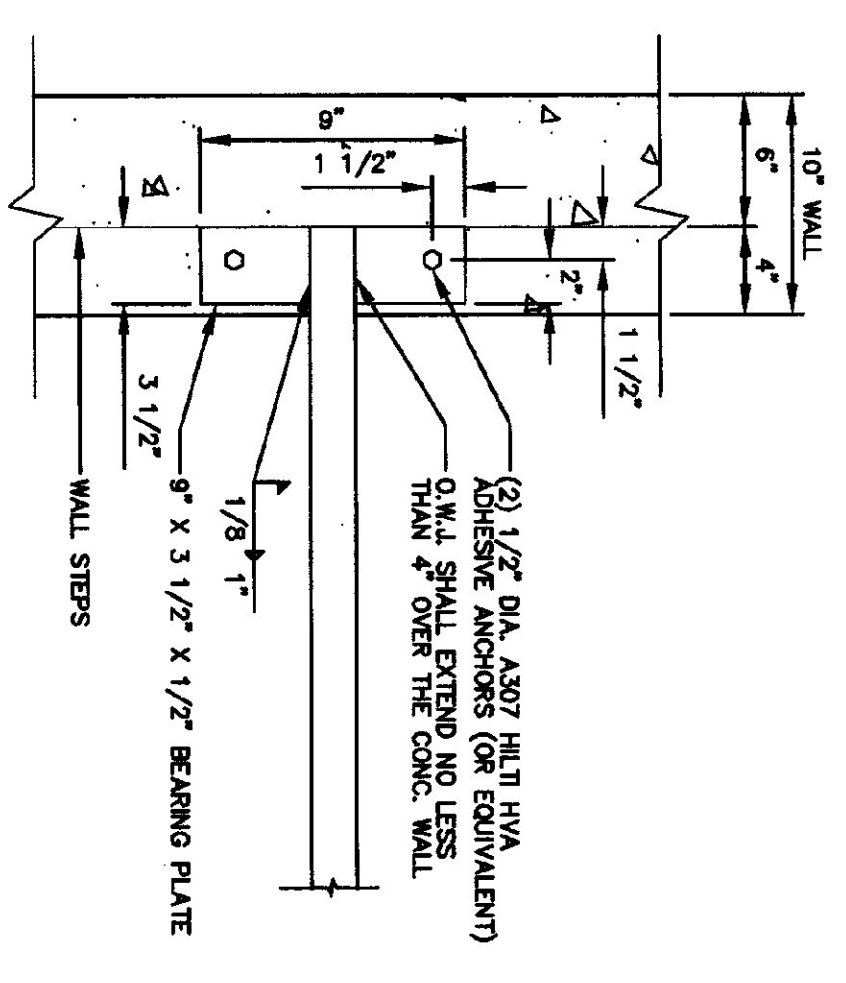
2 TYPICAL SIDEWALL DETAIL
3/4\"/>



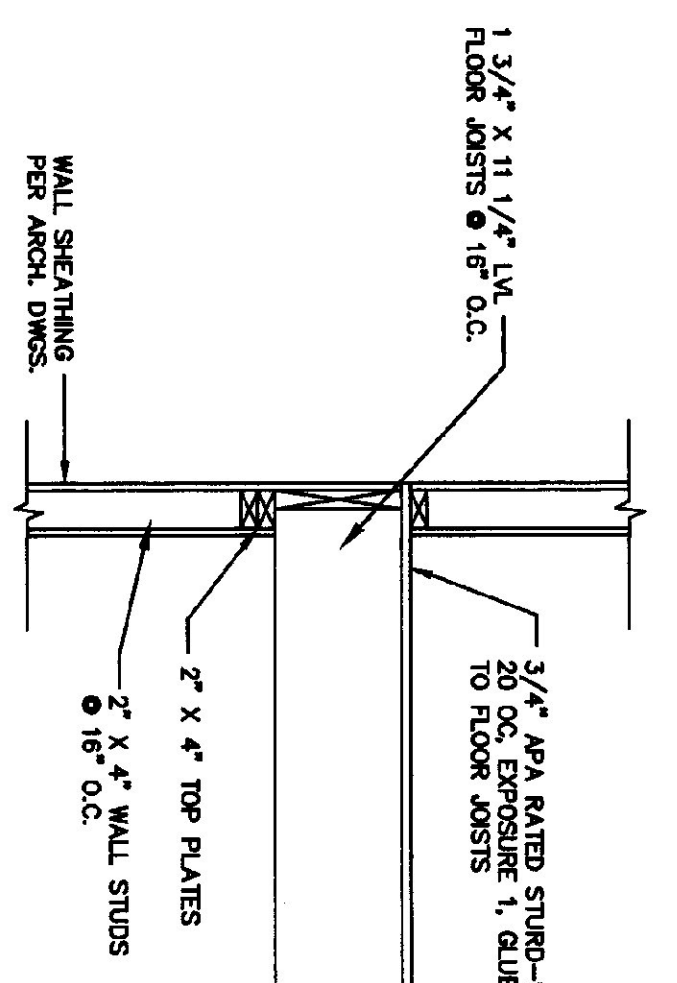
3 INTERIOR BEAM/JOIST DETAIL
3/4\"/>



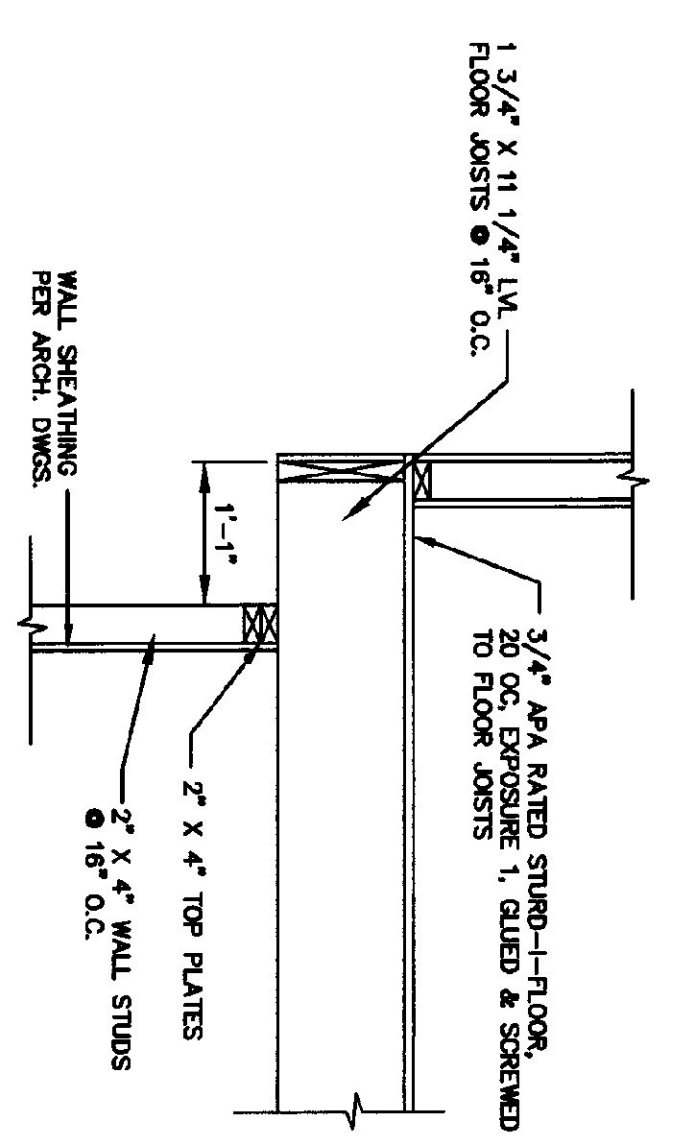
4 TYPICAL POUR STOP DETAIL
N.T.S.



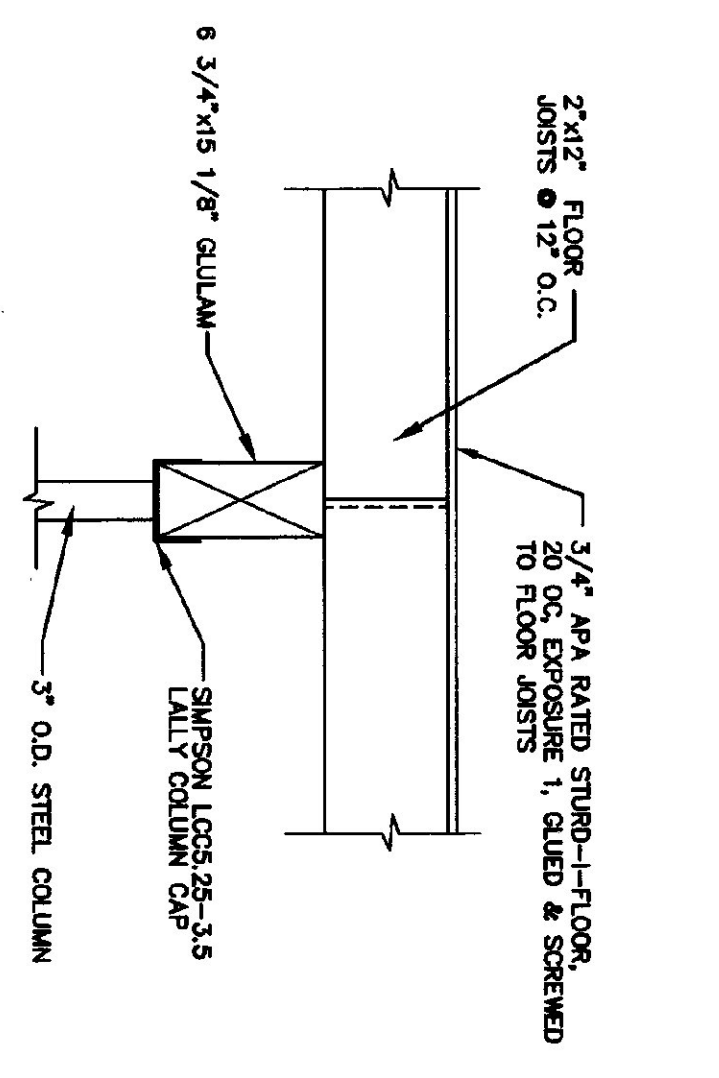
5 TYPICAL O.W.L. BEARING DETAIL
1 1/2\"/>



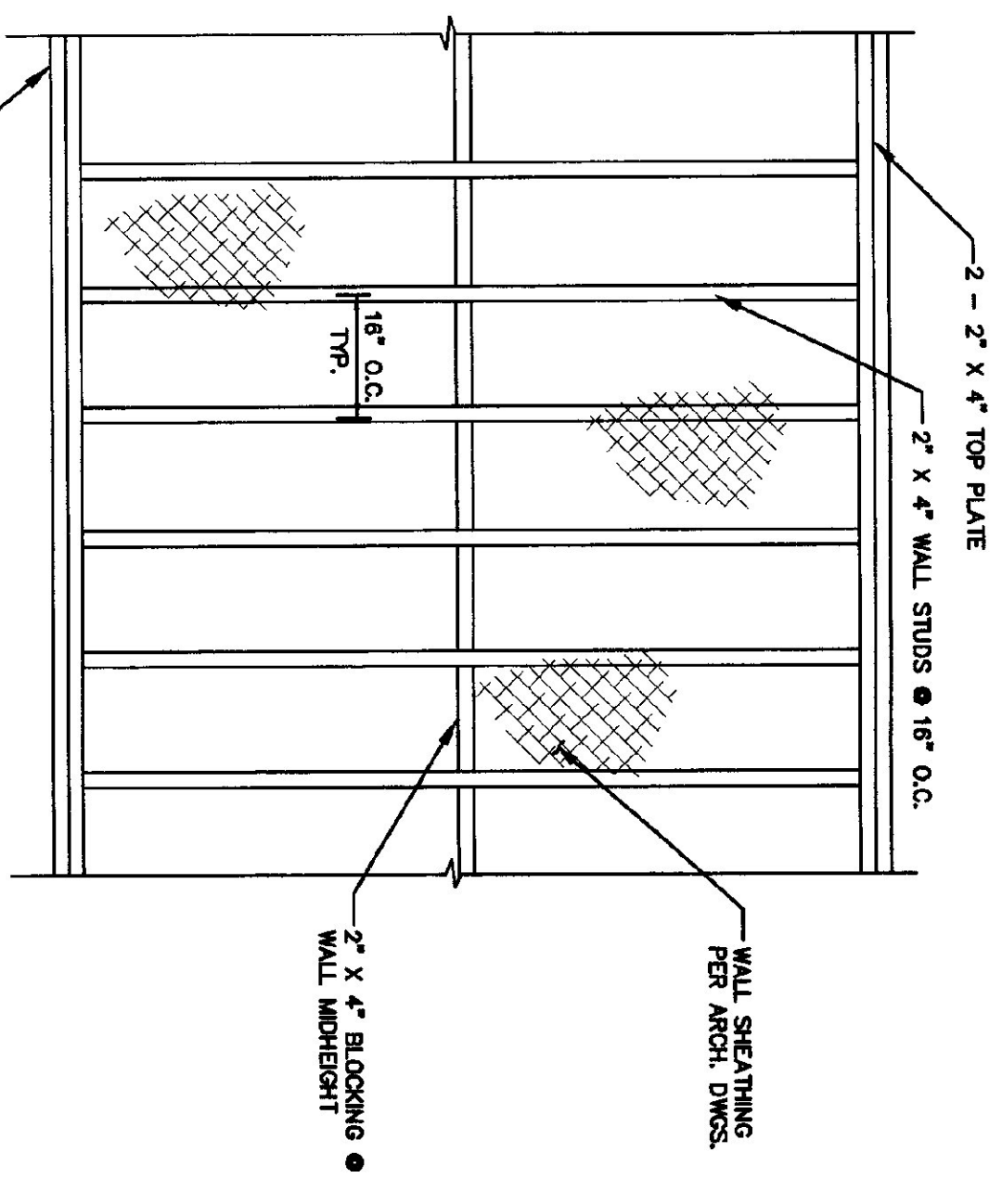
6 TYPICAL INTERIOR BEARING WALL FRAMING DETAIL
3/4\"/>



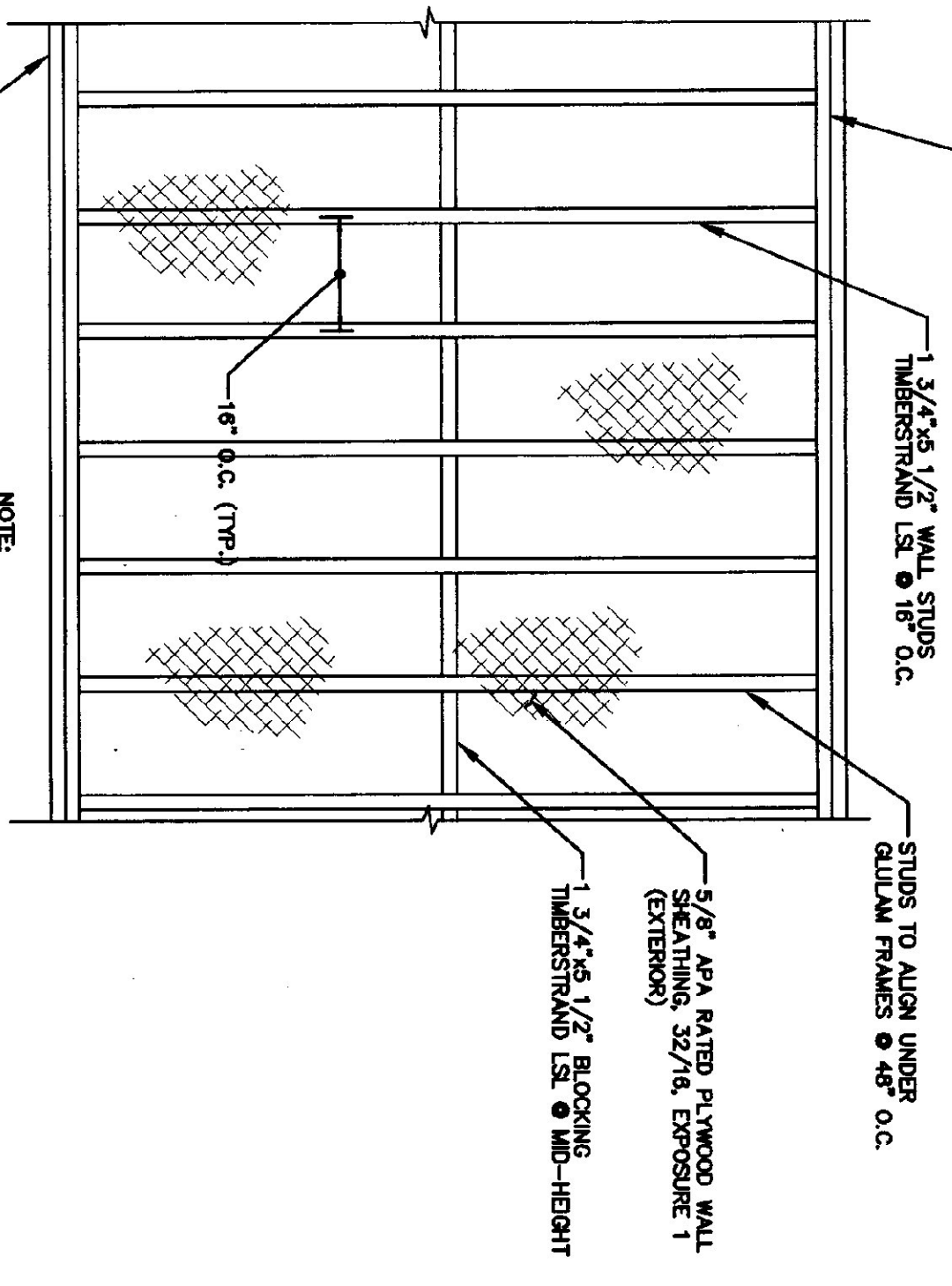
7 INTERIOR BEARING WALL CANTILEVER FRAMING DETAIL
3/4\"/>



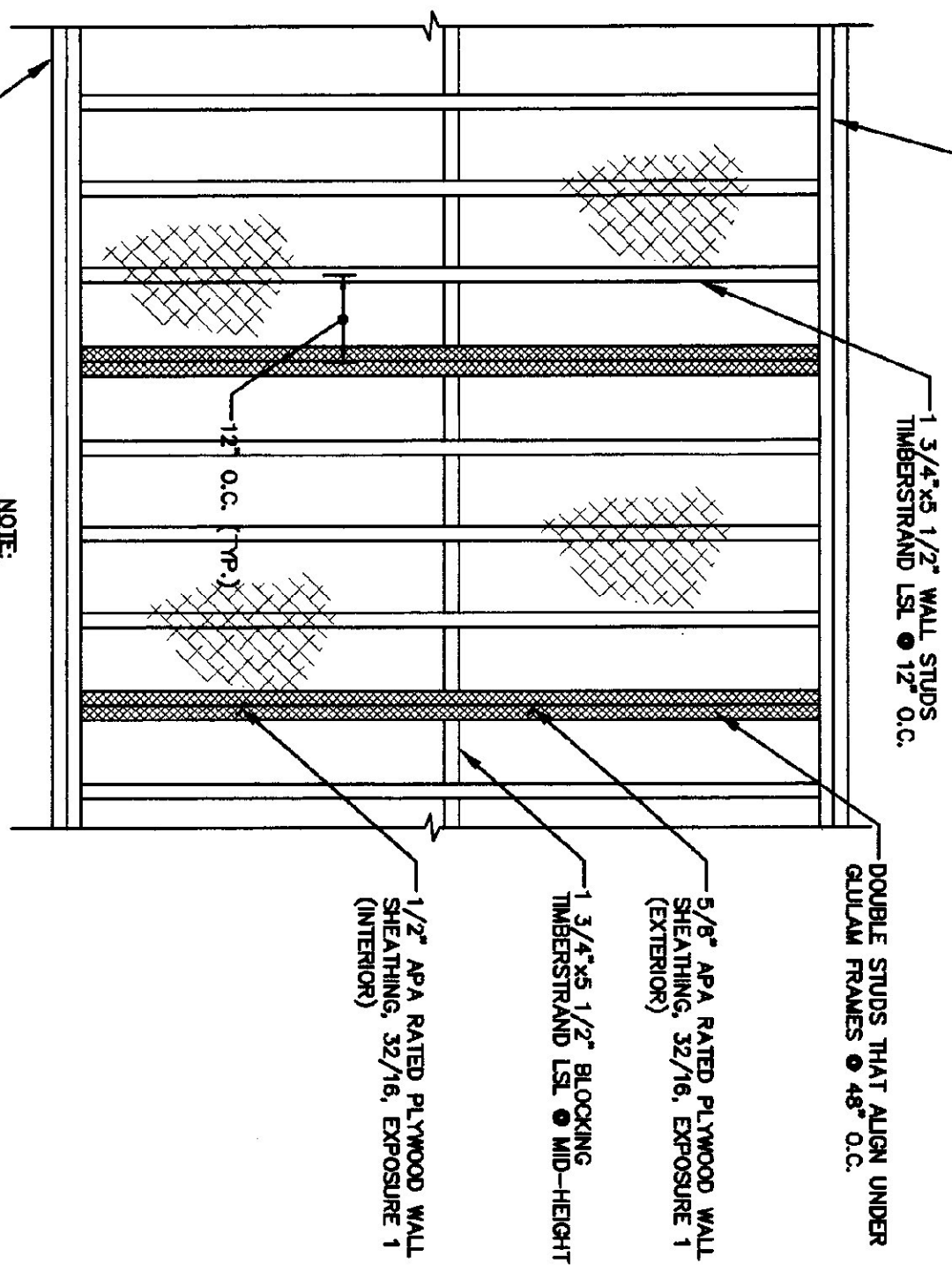
8 GLULAM BEAM BEARING DETAIL
3/4\"/>



9 TYPICAL 2\"/>



10 TYPICAL 2\"/>



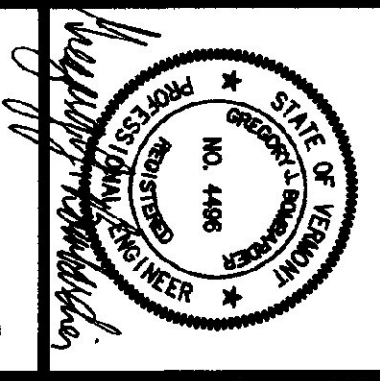
11 2\"/>

NOTE:
FASTEN TO FOUNDATION WALL WITH 3/4\"/>

NOTE:
FASTEN TO FOUNDATION WALL WITH 3/4\"/>

NOTE:
FASTEN TO FOUNDATION WALL WITH 3/4\"/>

INTERSTATE 89 SOUTHBOUND
WILLISTON INFORMATION CENTER
STRUCTURAL DETAILS
PROJECT # IM-BLDG(4)



CHAMPLAIN CONSULTING ENGINEERS
85 PRIM ROAD, P.O. BOX 453
COLCHESTER, VERMONT 05446
(802) 883-8060
(802) 864-1878 FAX

REVISIONS	BY

S7sb

DRAWN: CCE
CHECKED: GAB
SCALE: AS NOTED
DATE: 01/18/01
JOB NO.: 93114
SHEET: 8