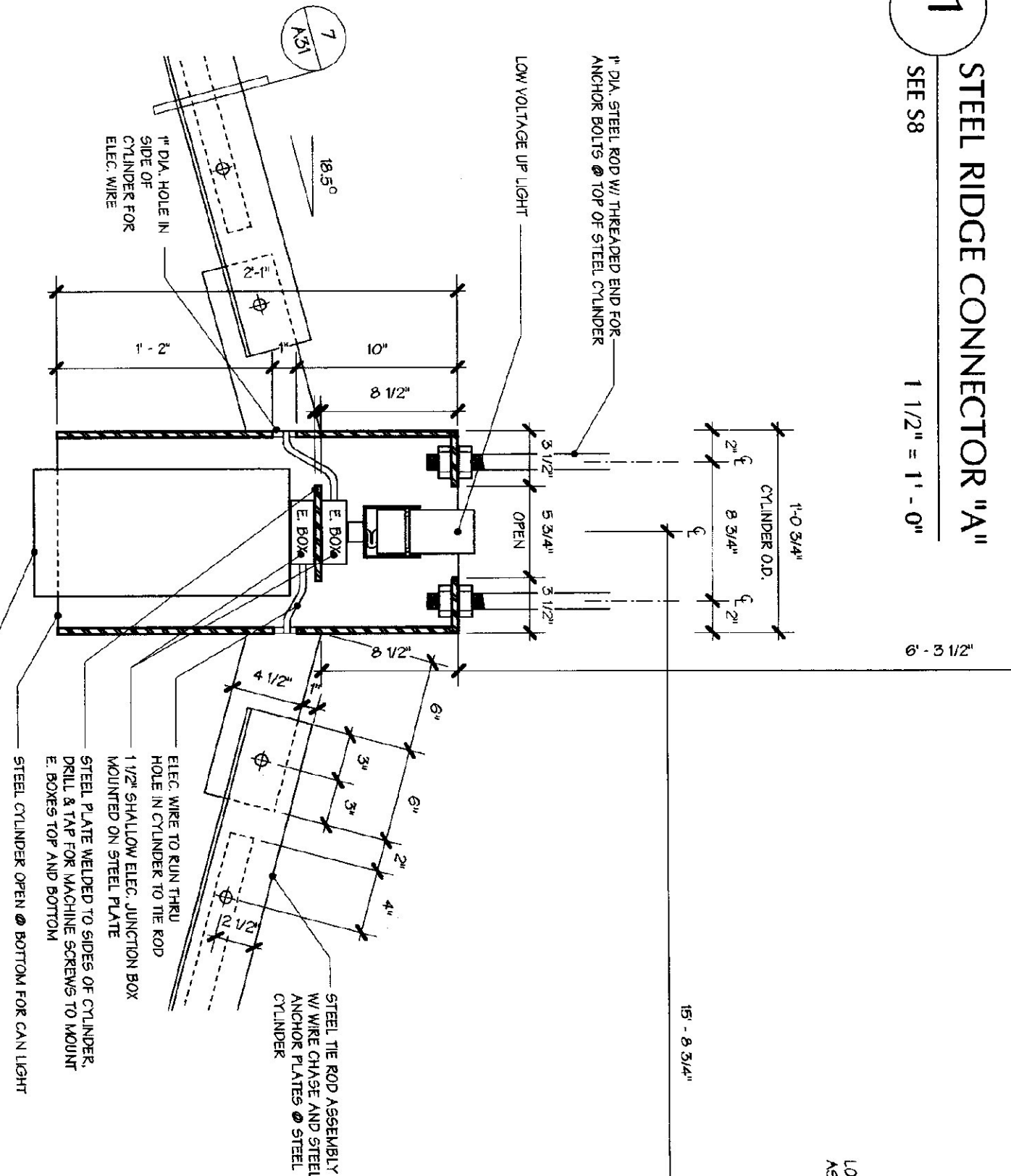
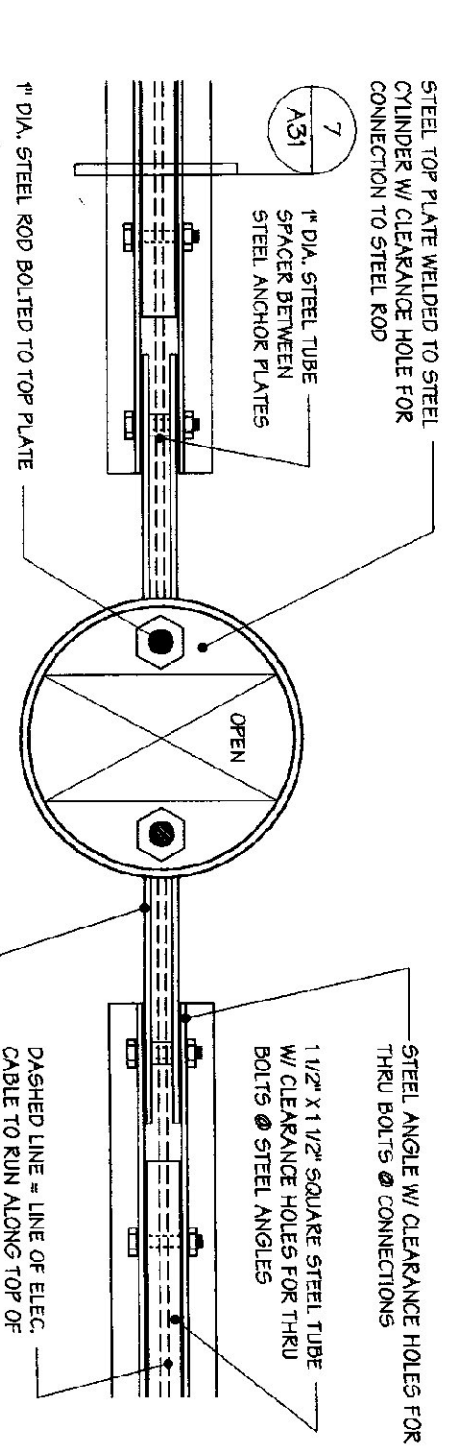


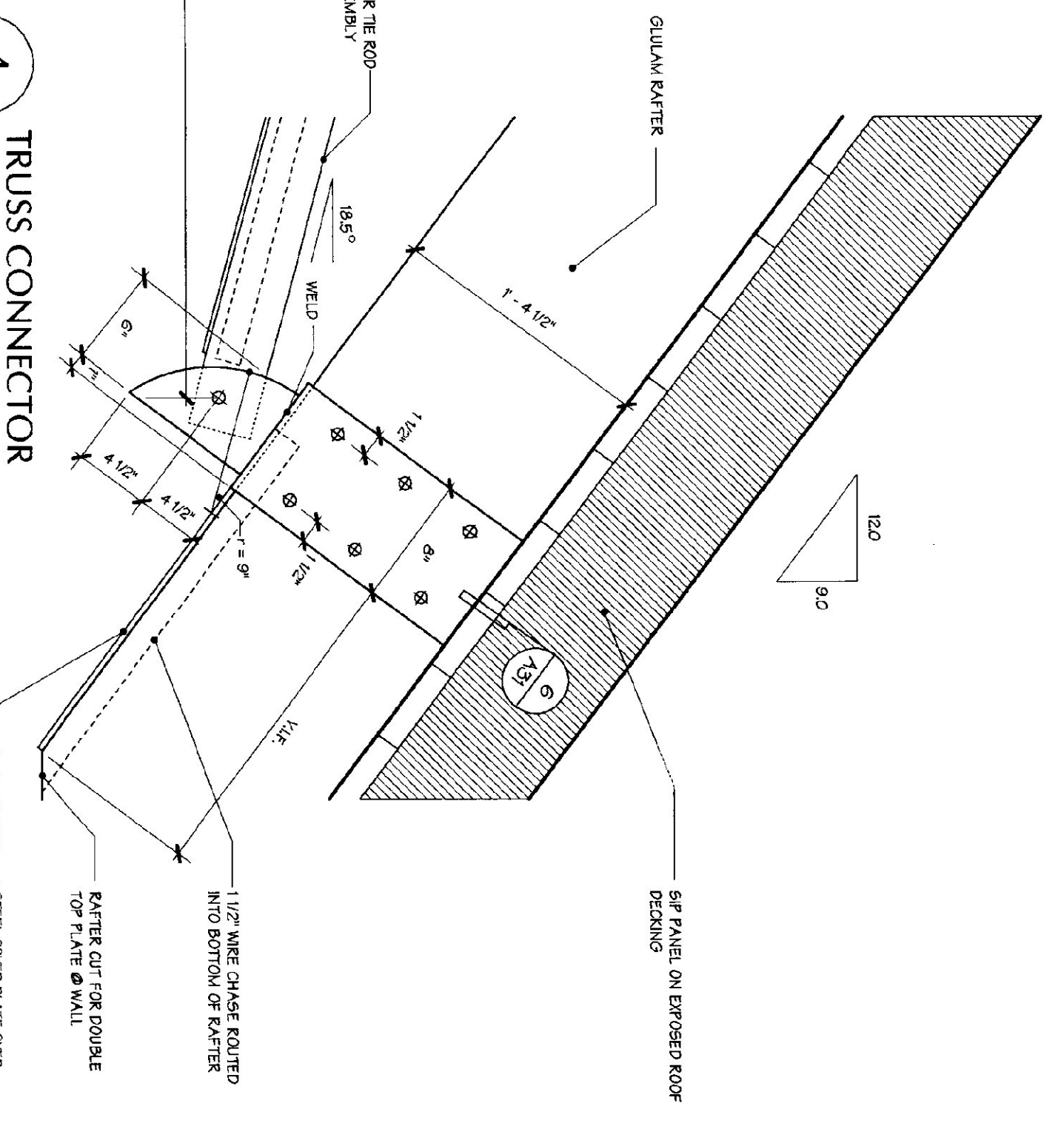
**1 STEEL RIDGE CONNECTOR "A"**  
SEE S8  
1 1/2" = 1' - 0"



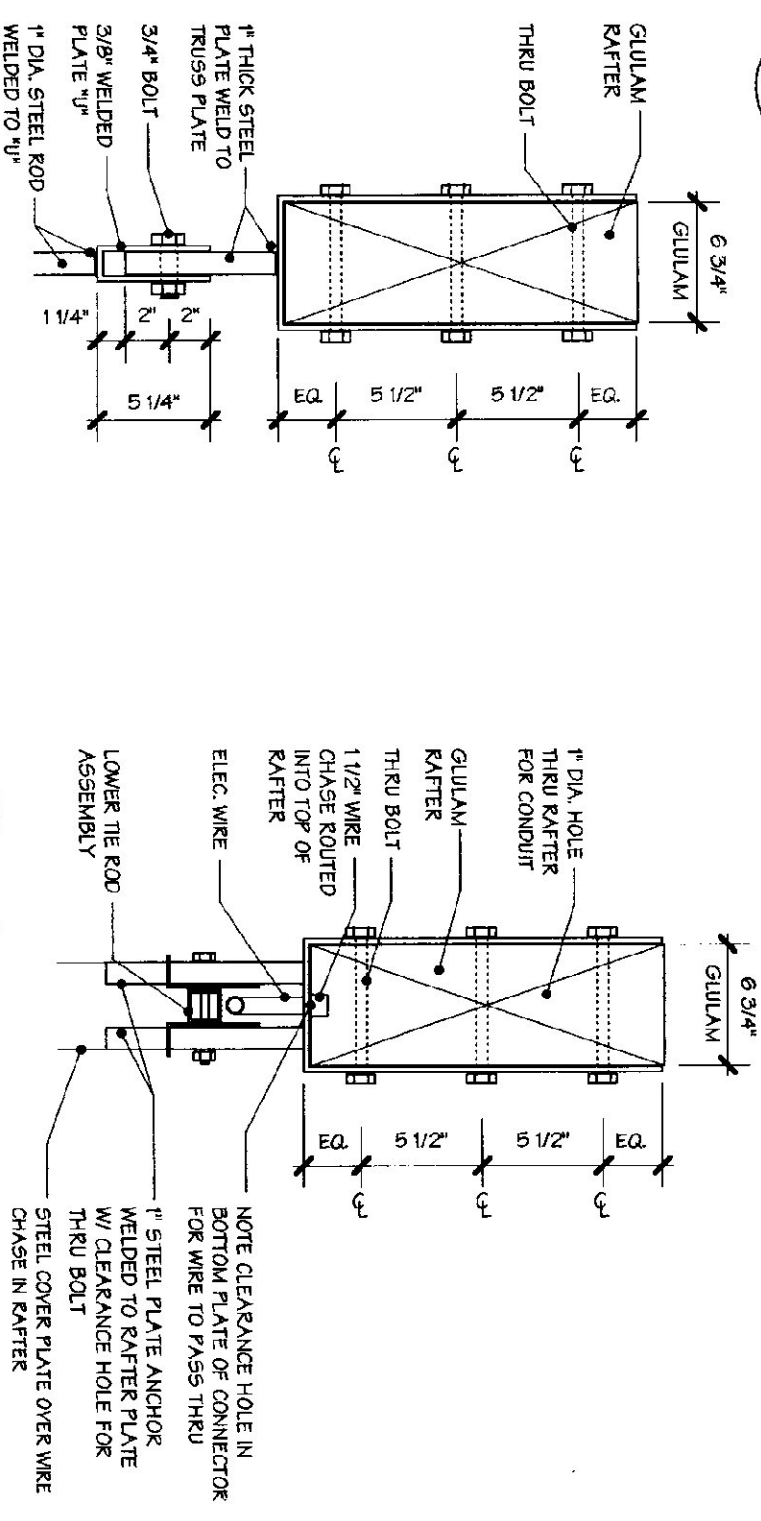
**2 SEC. @ STEEL CYLINDER**  
SEE S8  
1 1/2" = 1' - 0"



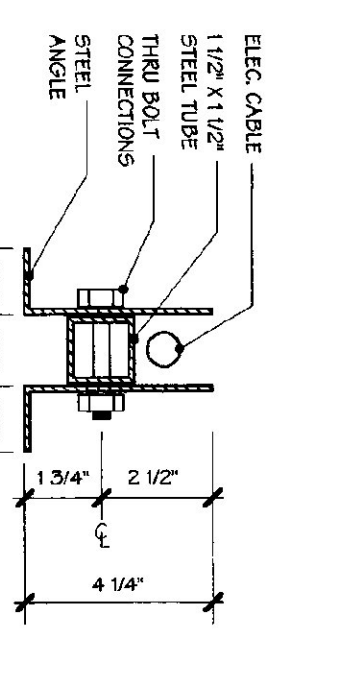
**3 PLAN @ STEEL CYLINDER**  
SEE S8  
1 1/2" = 1' - 0"



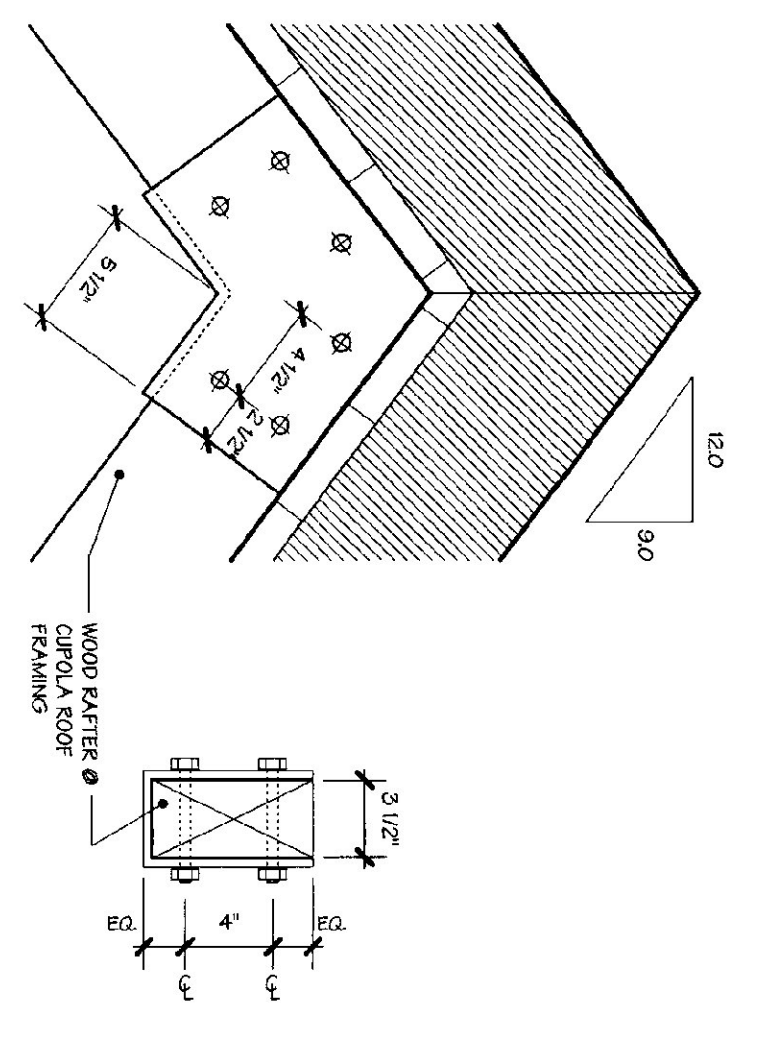
**4 TRUSS CONNECTOR**  
SEE S8  
1 1/2" = 1' - 0"



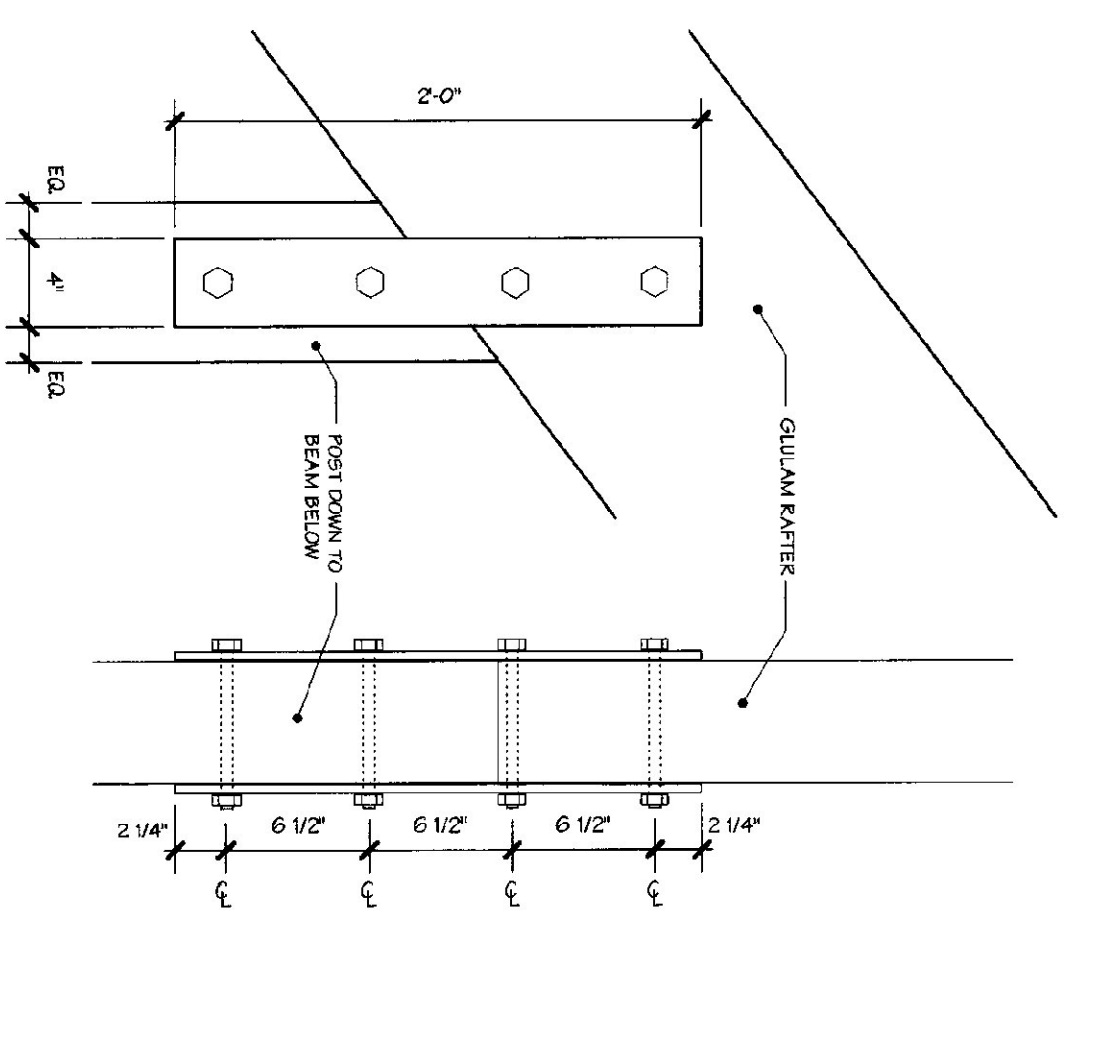
**5 UPPER TRUSS JCT.**  
SEE S8  
1 1/2" = 1' - 0"



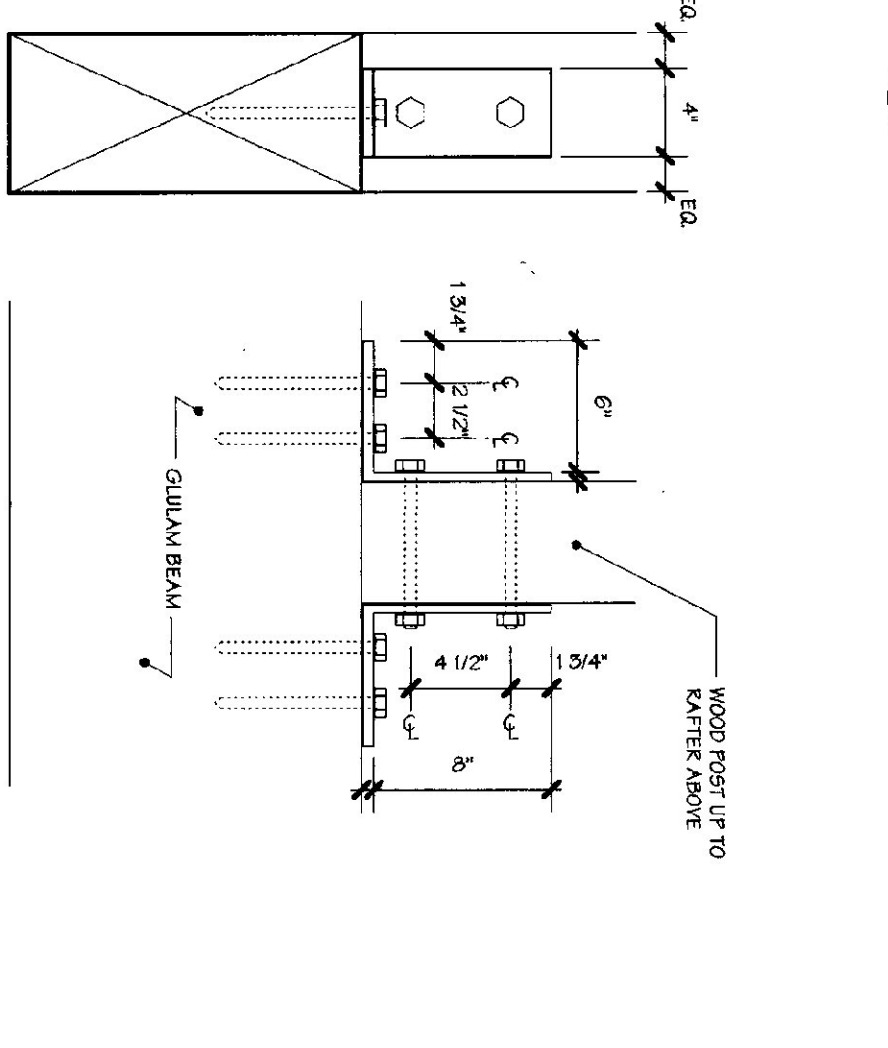
**7 LOWER TIE ROD**  
SEE S8  
3" = 1' - 0"



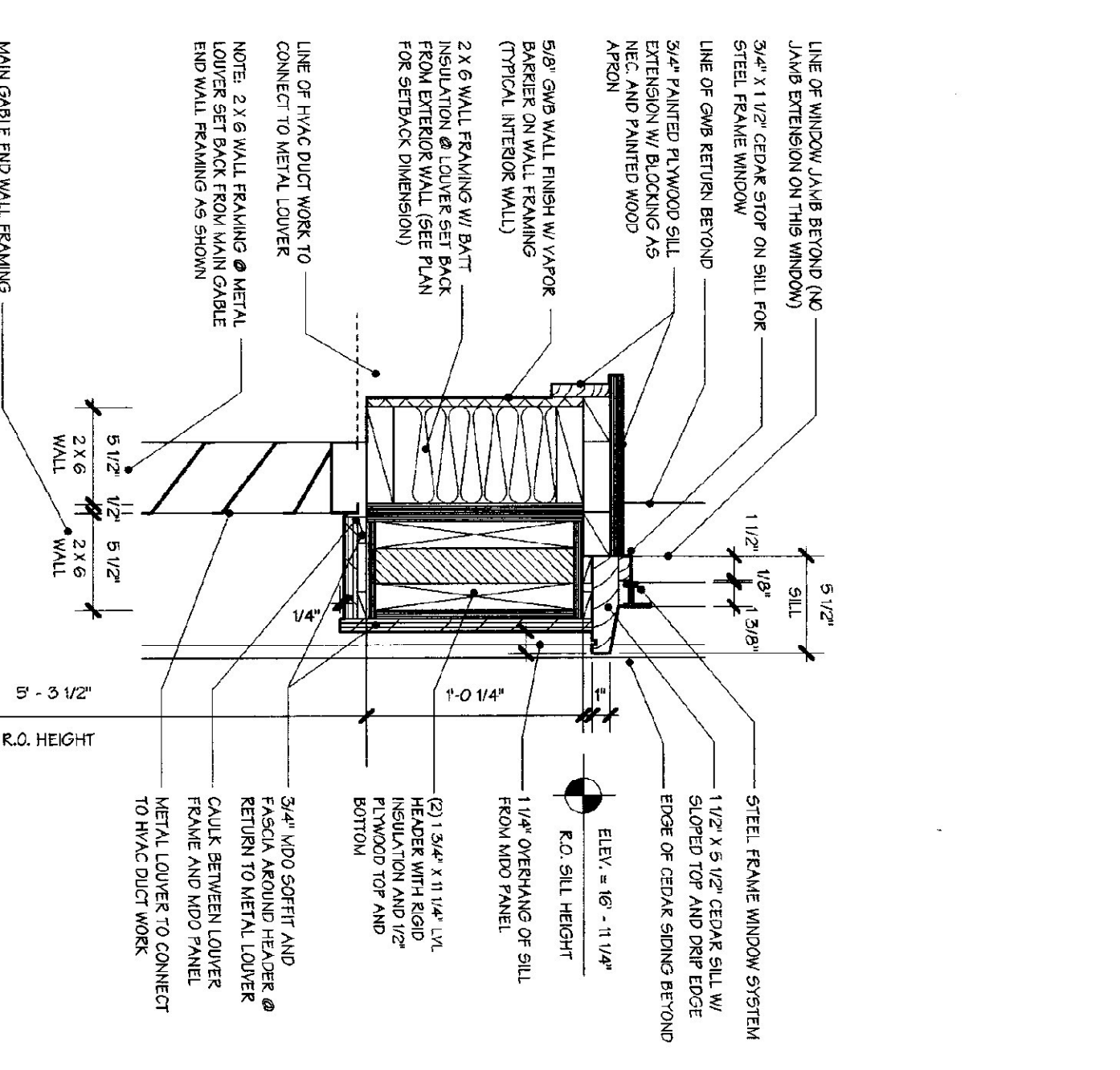
**8 STEEL RIDGE "B" (CUPOLA)**  
NOTE: SMALLER SIZE STEEL RODS FOR SMALLER RAFTERS IN MECHANICAL CONTROL  
1 1/2" = 1' - 0"



**9 RAFTER BRACKET "A"**  
1 1/2" = 1' - 0"



**10 RAFTER BRACKET "B"**  
1 1/2" = 1' - 0"



**11 SECTION DETAIL @ SERVICE ENTRY**  
1 1/2" = 1' - 0"

