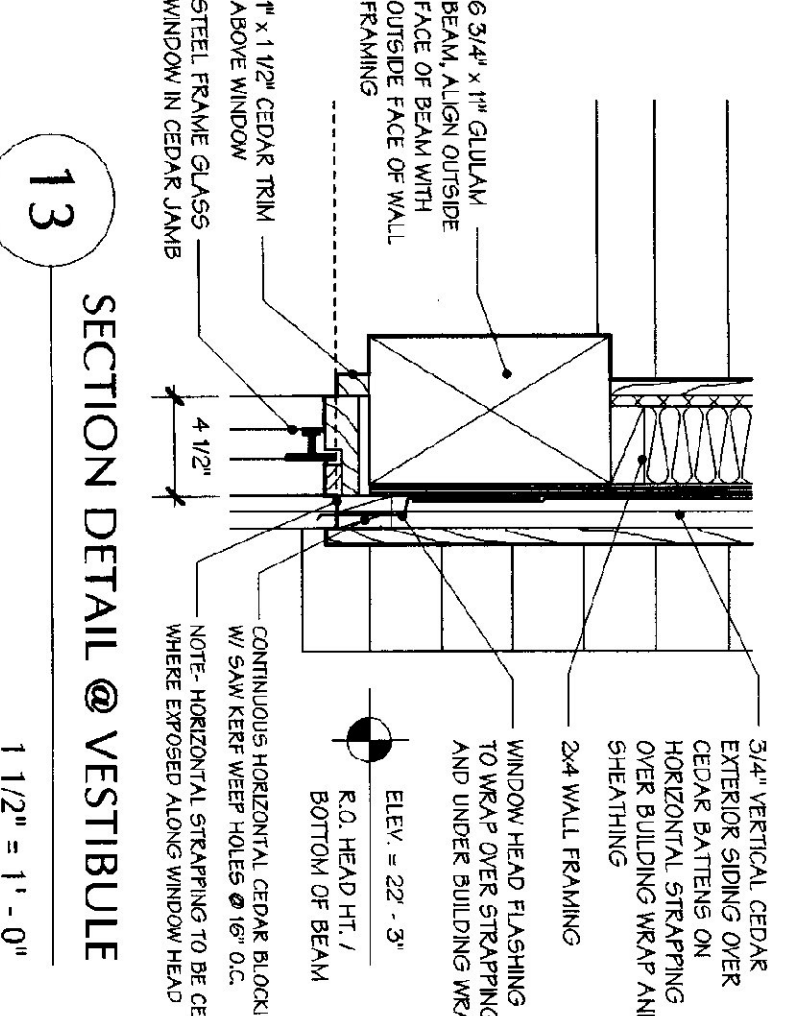
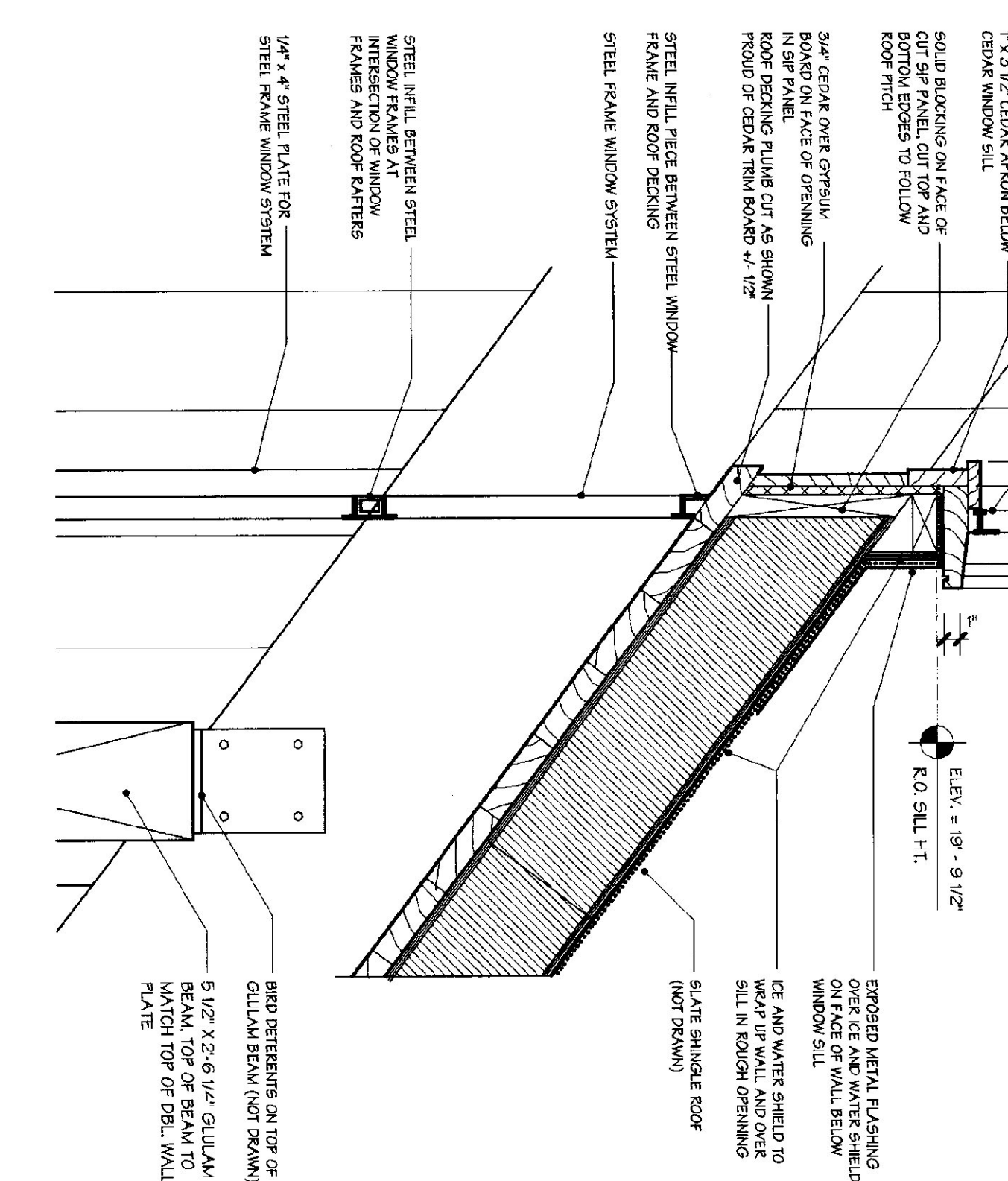


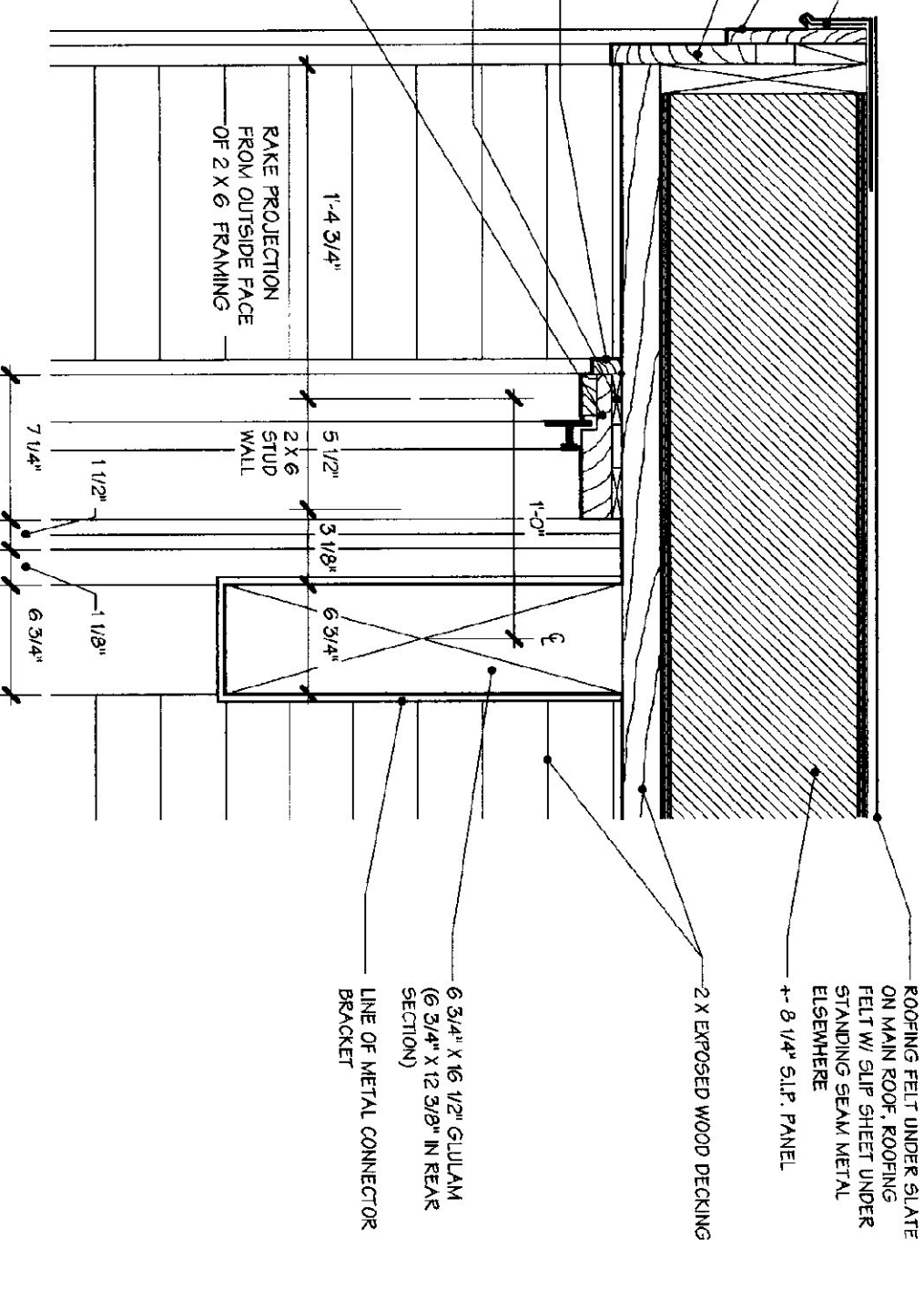
10 WINDOW SILL DETAIL-TYPICAL
 NOTE: THE WIDTH OF WINDOW SILLS MAY VARY
 W/ DIFFERENT WALL CONDITIONS, MAINTAIN A
 CONSISTENT 1" OVERHANG WITH SIDING



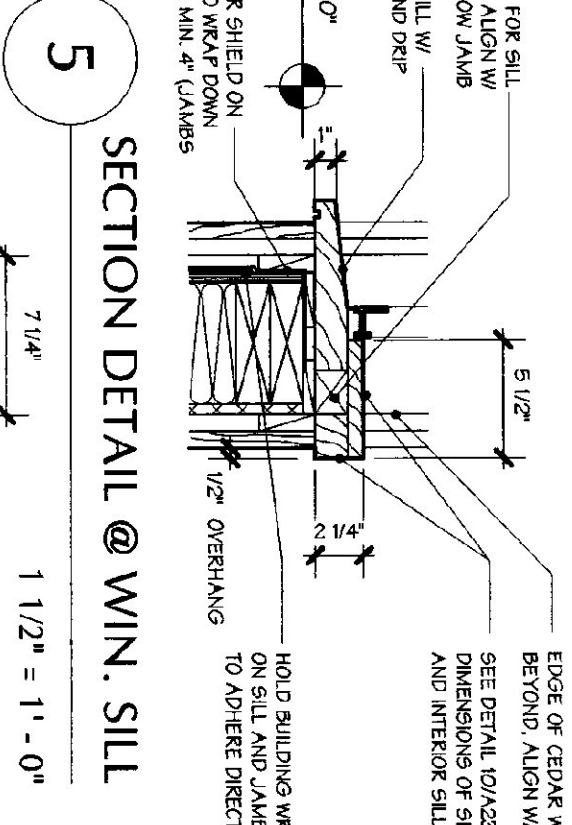
13 SECTION DETAIL @ VESTIBULE
 1 1/2" = 1' - 0"



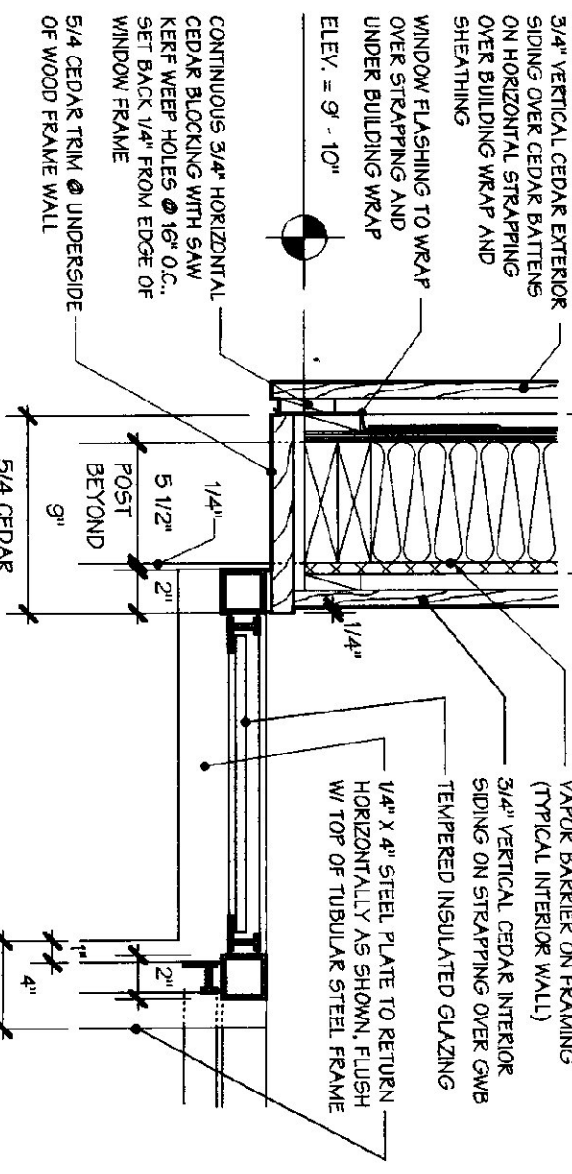
12 SECTION DETAIL @ VESTIBULE
 1 1/2" = 1' - 0"



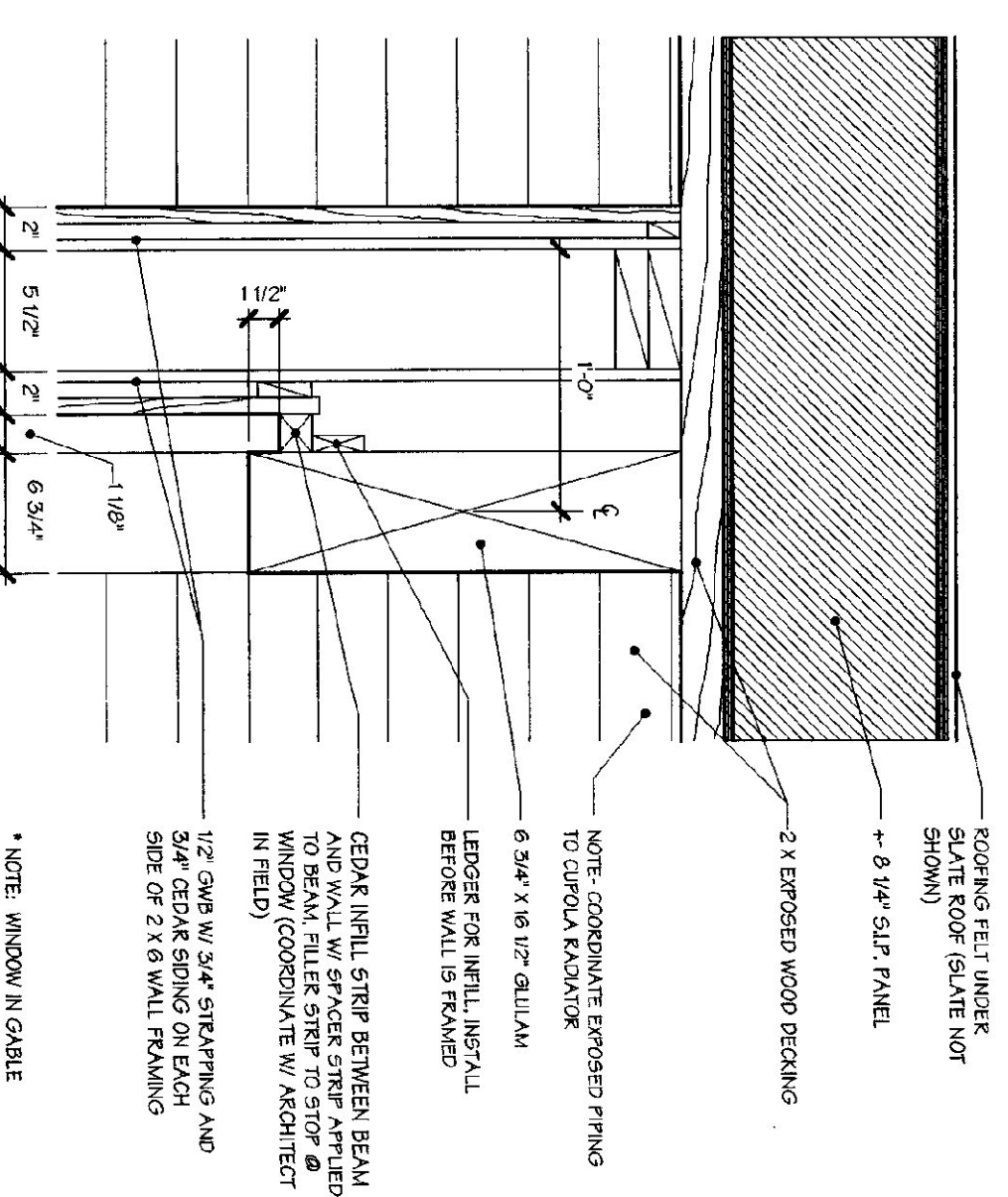
6 SECTION DETAIL @ RAKE
 1 1/2" = 1' - 0"



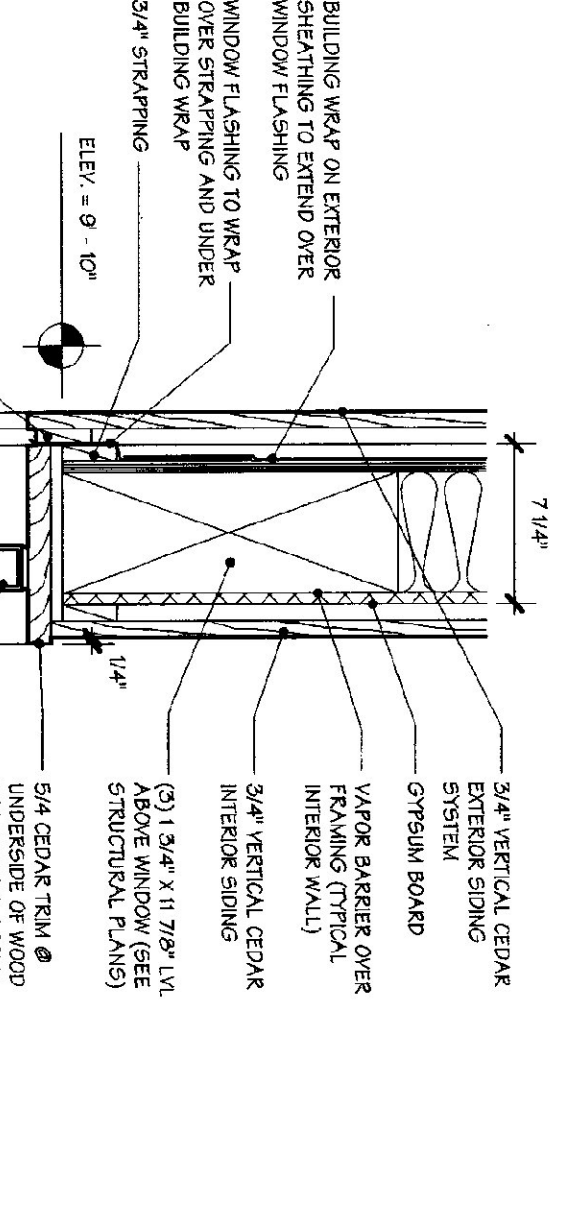
5 SECTION DETAIL @ WIN. SILL
 1 1/2" = 1' - 0"



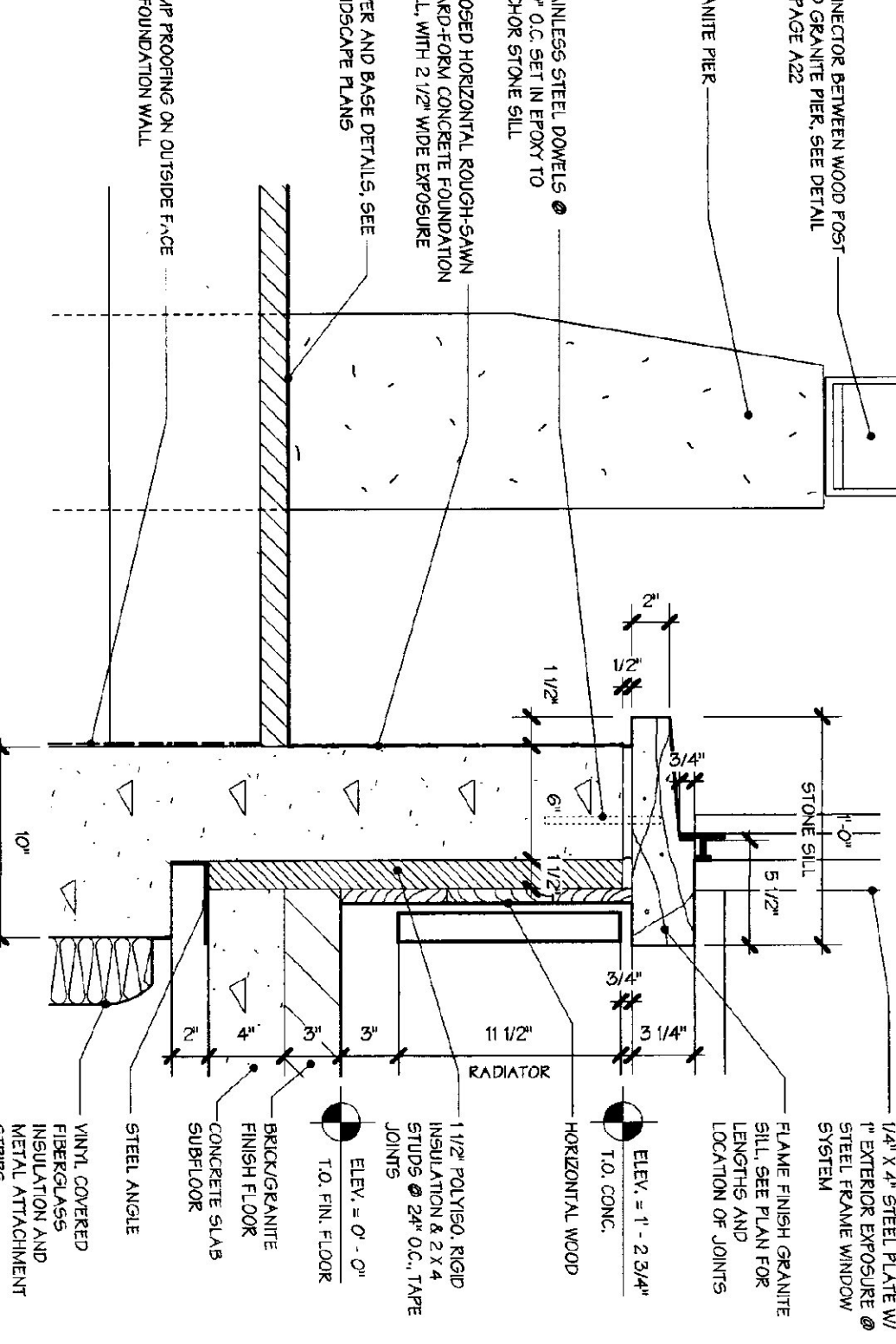
4 SECTION DETAIL @ VEST.
 1 1/2" = 1' - 0"



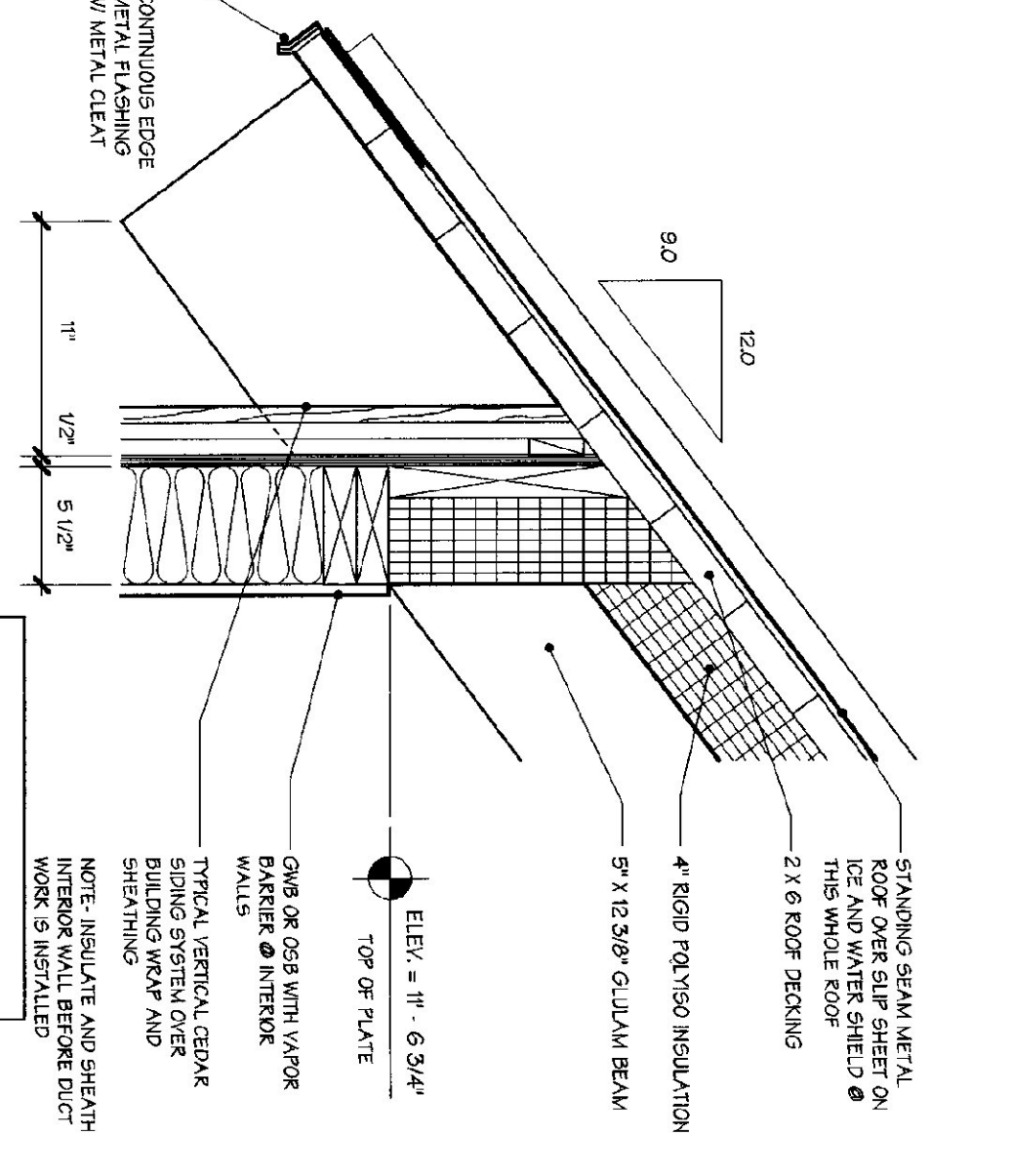
9 SECTION DETAIL NEAR RIDGE
 1 1/2" = 1' - 0"



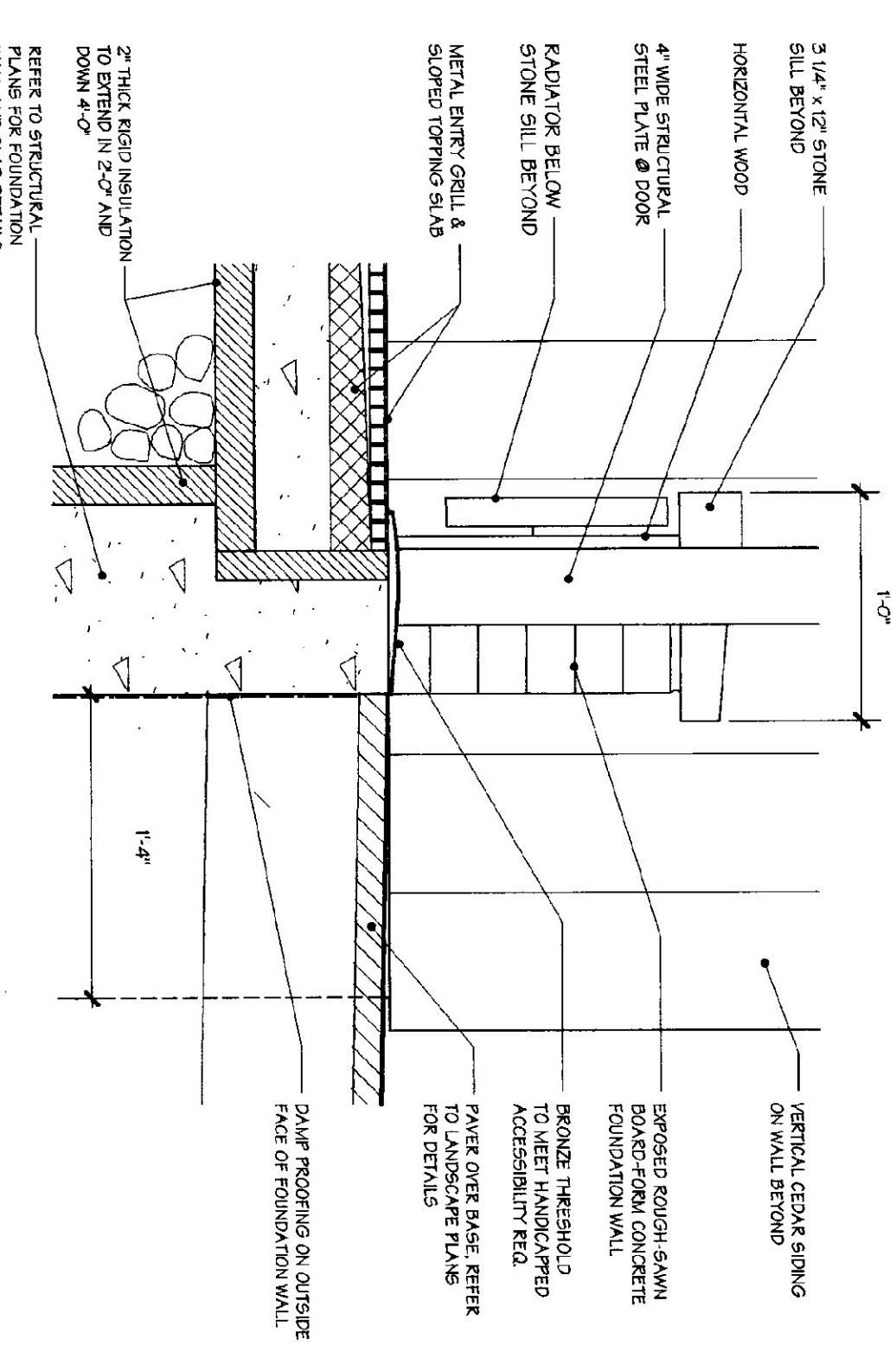
8 SECTION DETAIL @ VEST.
 1 1/2" = 1' - 0"



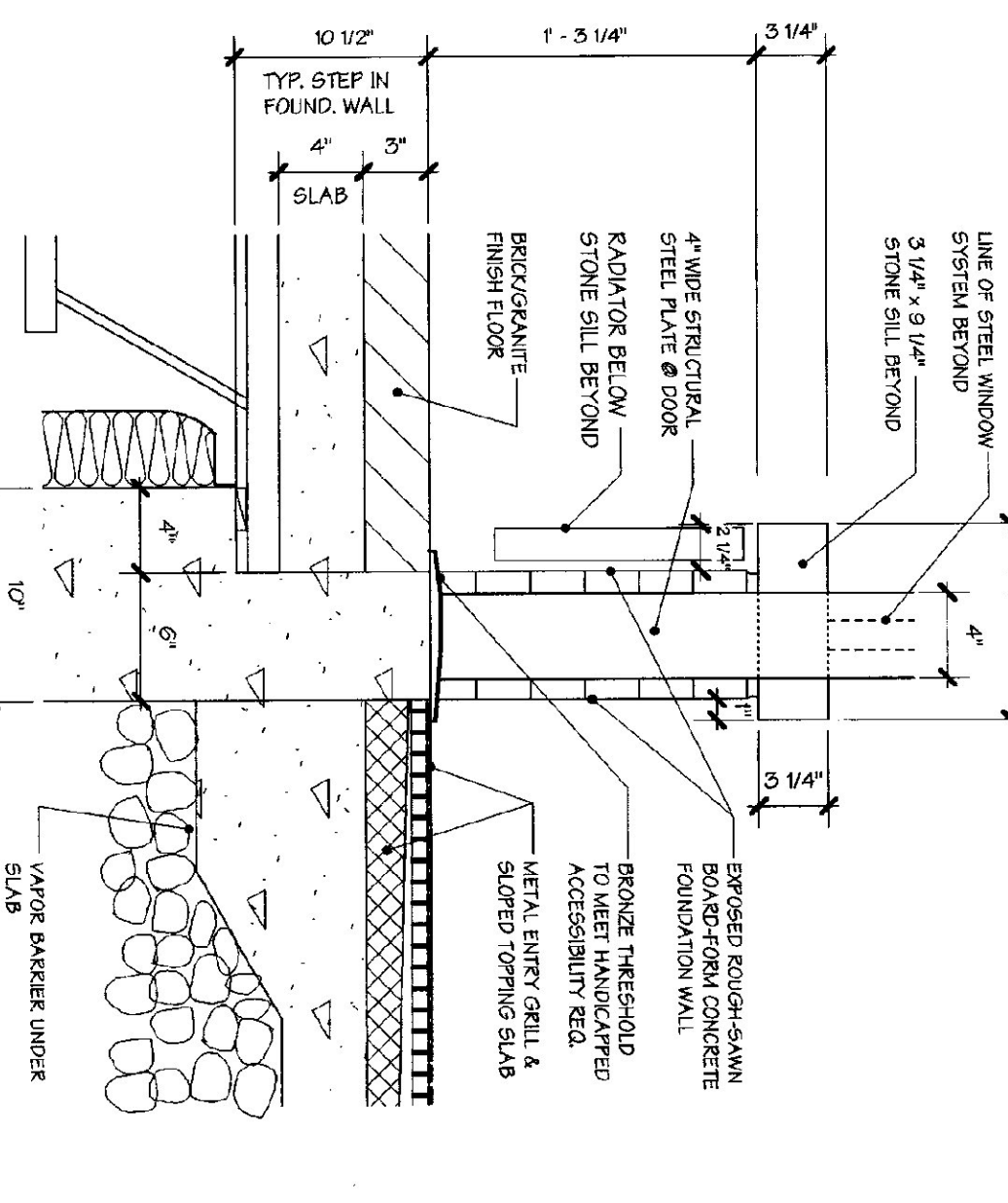
3 SECTION DETAIL @ VEST.
 1 1/2" = 1' - 0"



7 EAVE @ DUCT CHASE
 1 1/2" = 1' - 0"



11 SECTION DETAIL @ MAIN ENTRY
 1 1/2" = 1' - 0"



1 SECTION DETAIL @ MAIN ENTRY
 1 1/2" = 1' - 0"

