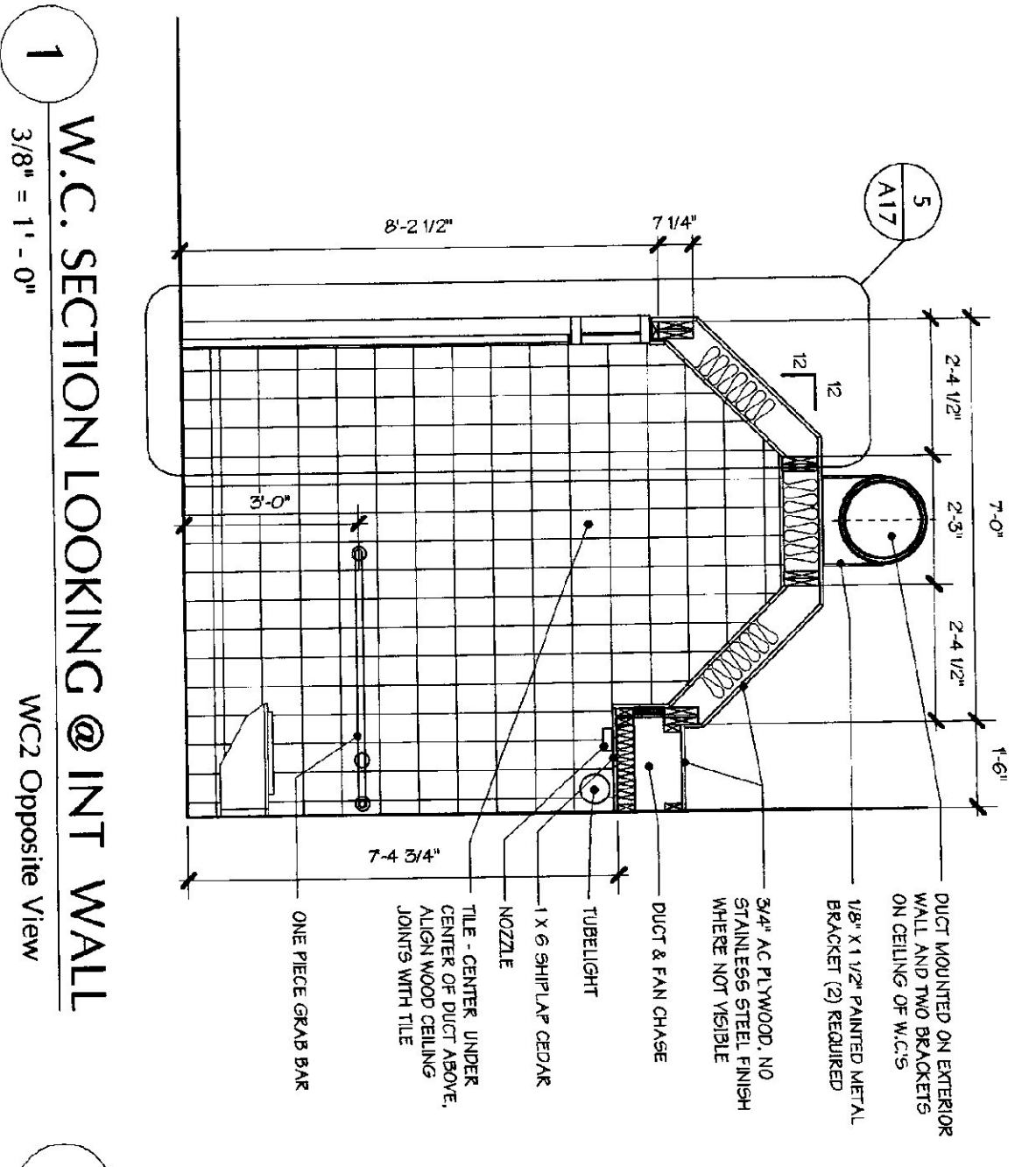
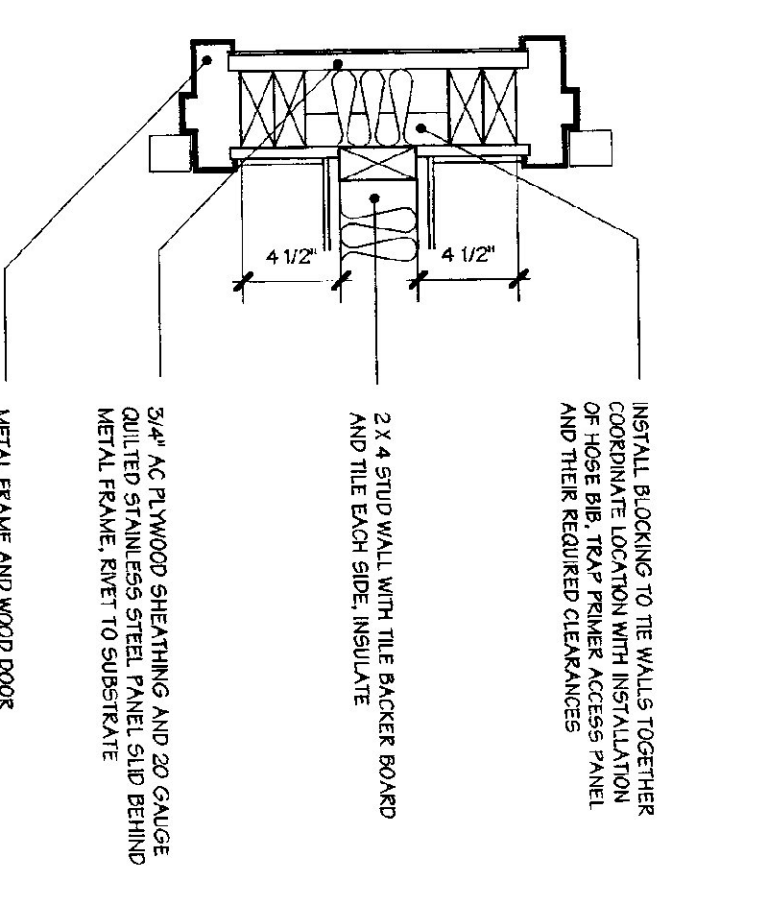


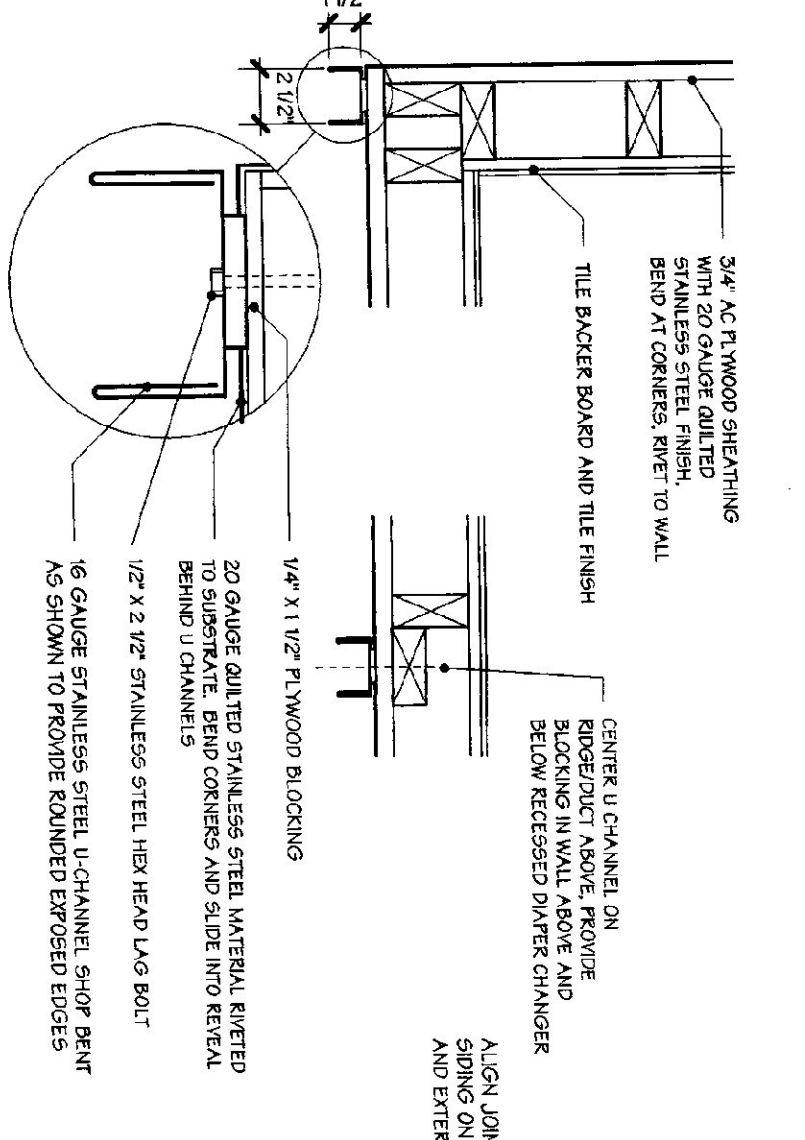
5 WALL SECTION @ ENTRY W.C.
1 1/2" = 1' - 0"



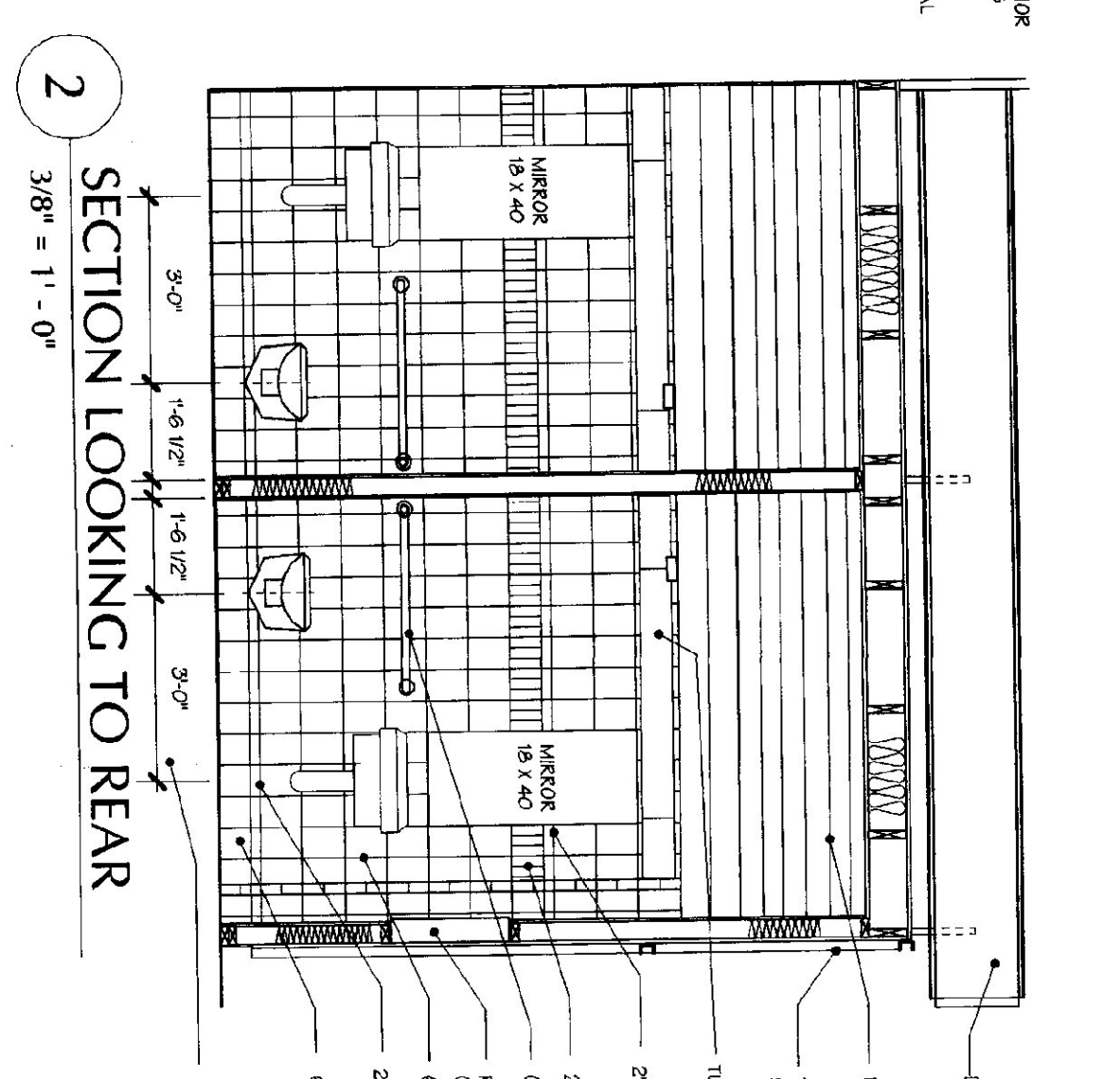
1 W.C. SECTION LOOKING @ INT WALL
3/8" = 1' - 0"
WC2 Opposite View



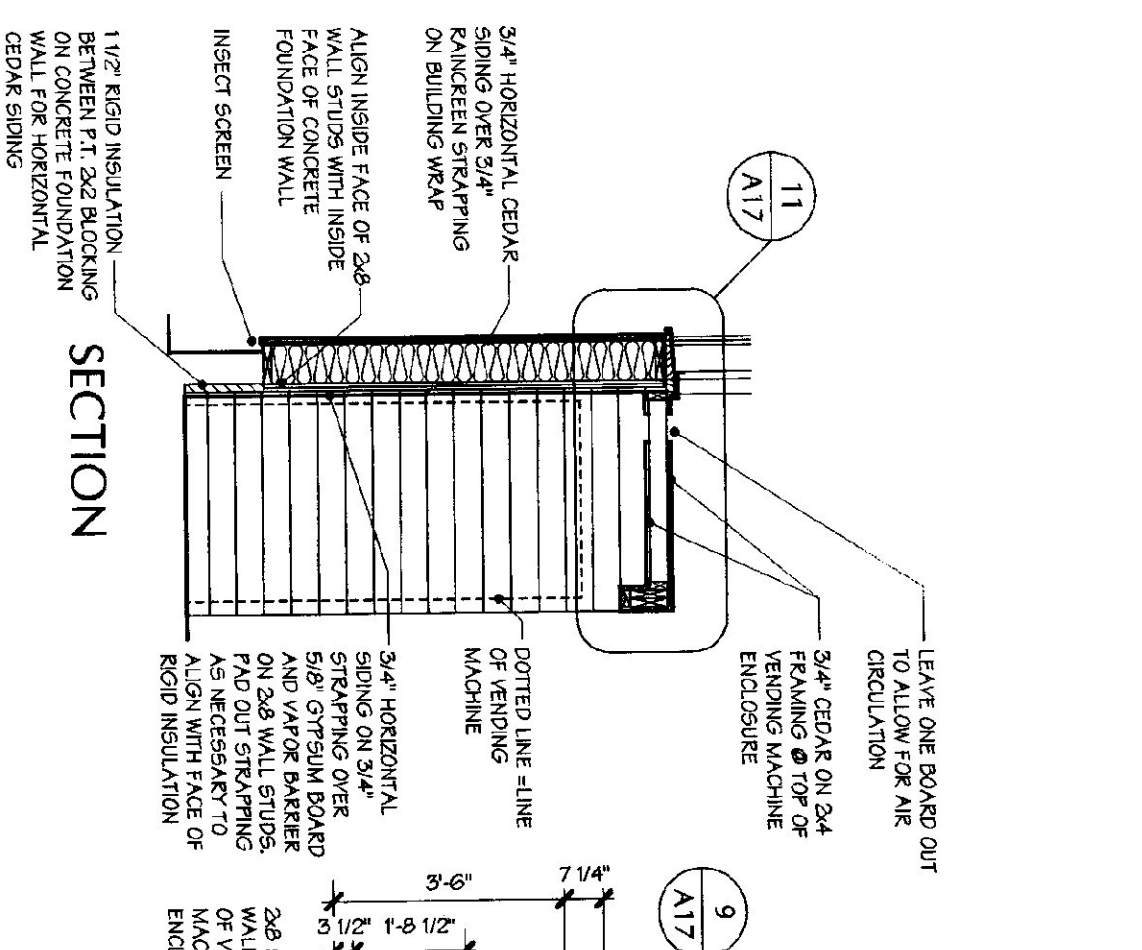
6 PLAN DETAIL @ DOORS
1 1/2" = 1' - 0"



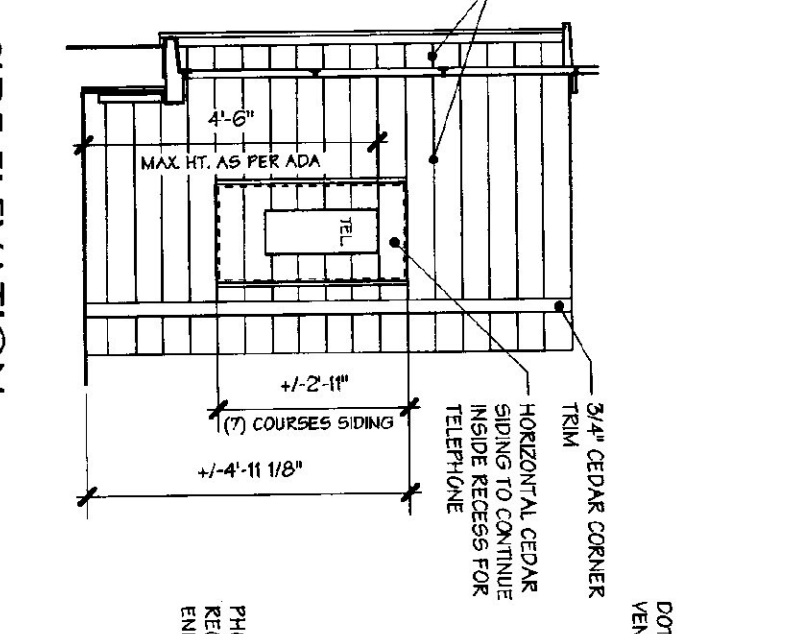
7 PLAN DETAILS - CORNER/RIDGE
1 1/2" = 1' - 0"



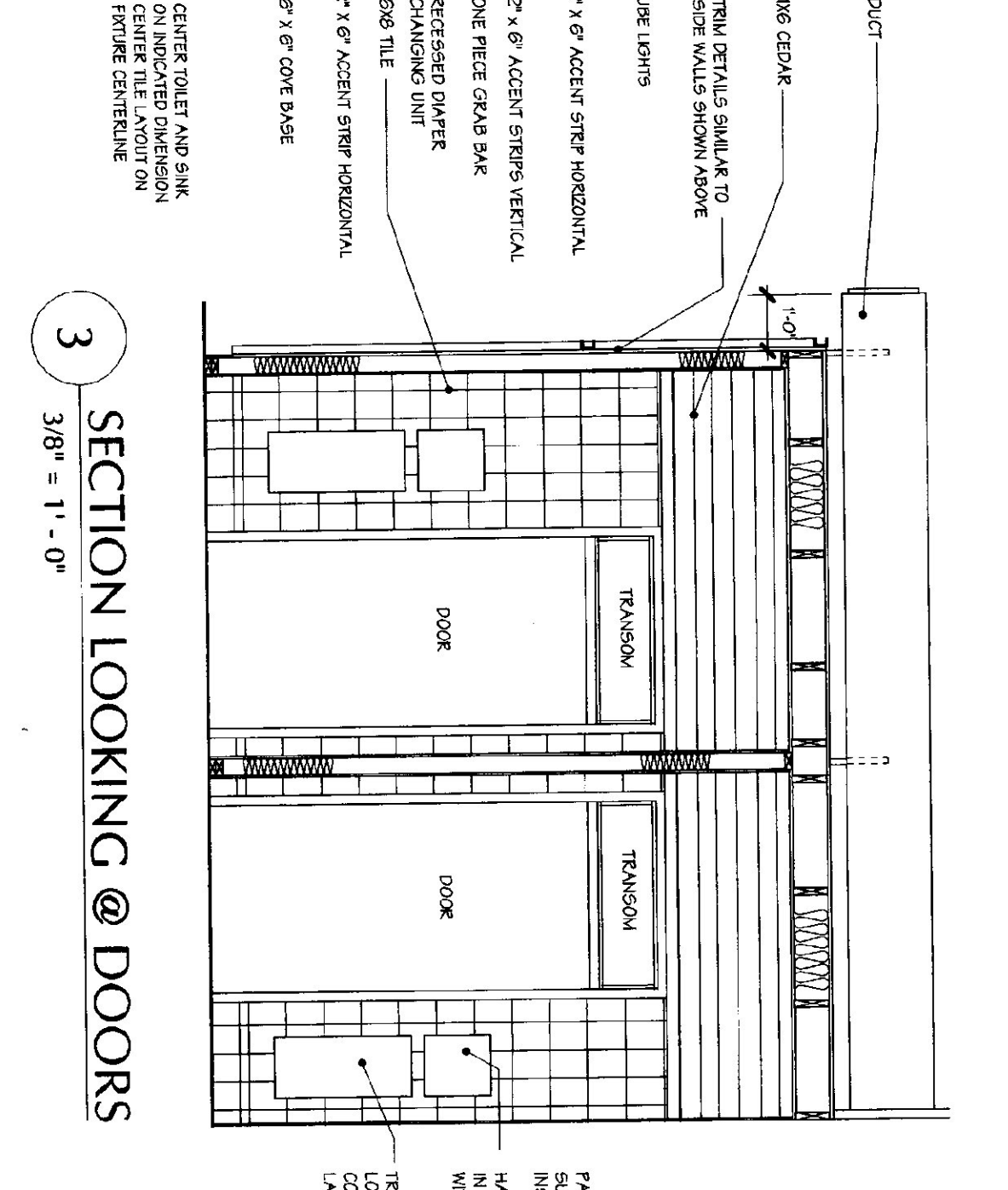
2 SECTION LOOKING TO REAR
3/8" = 1' - 0"



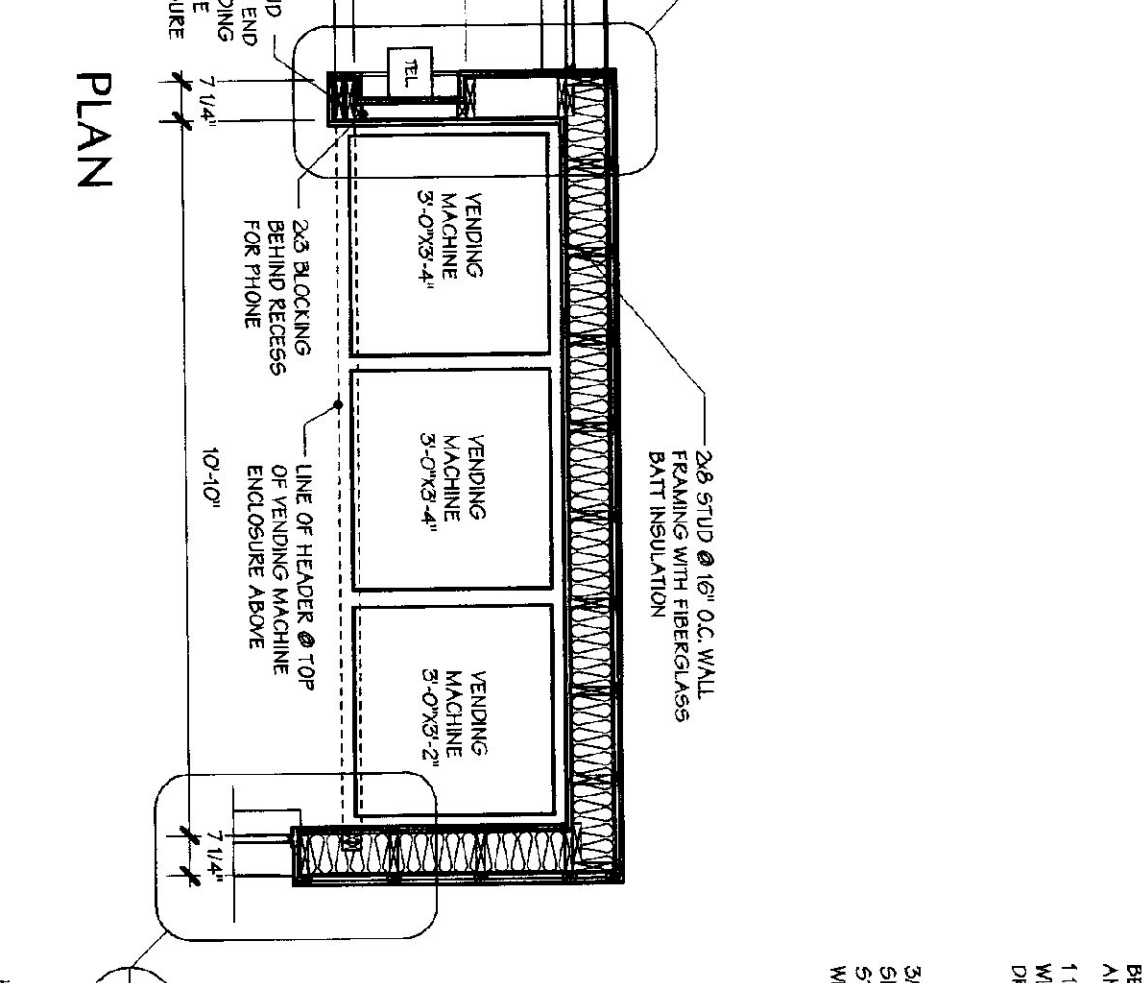
11 SECTION



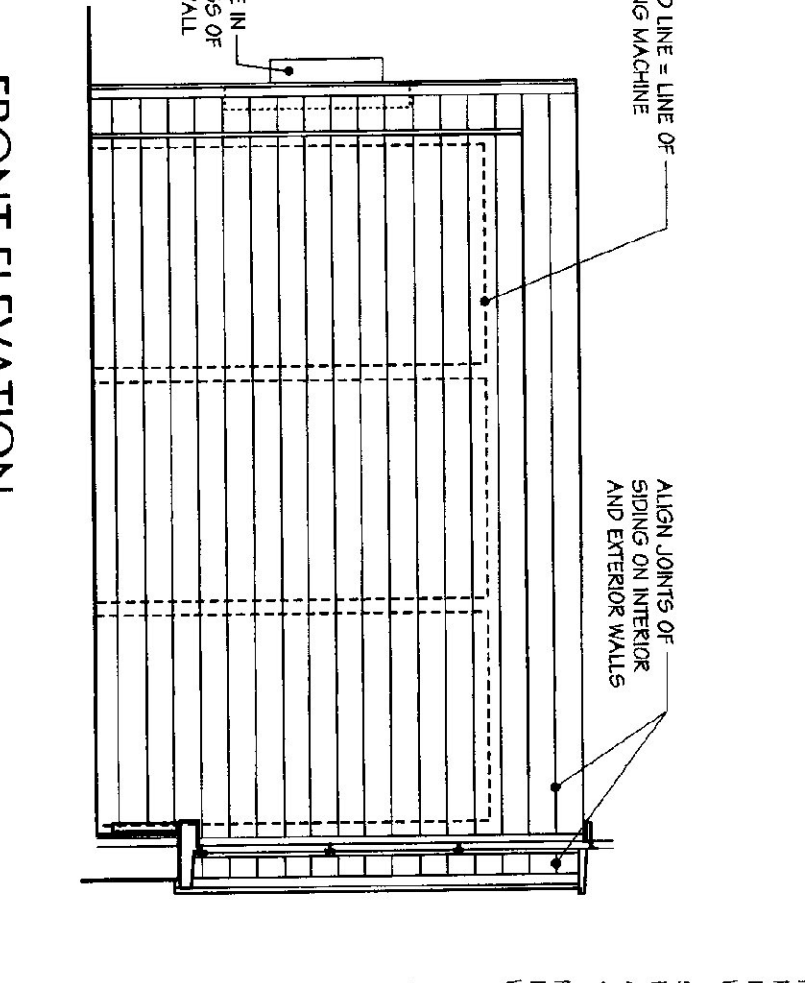
SIDE ELEVATION



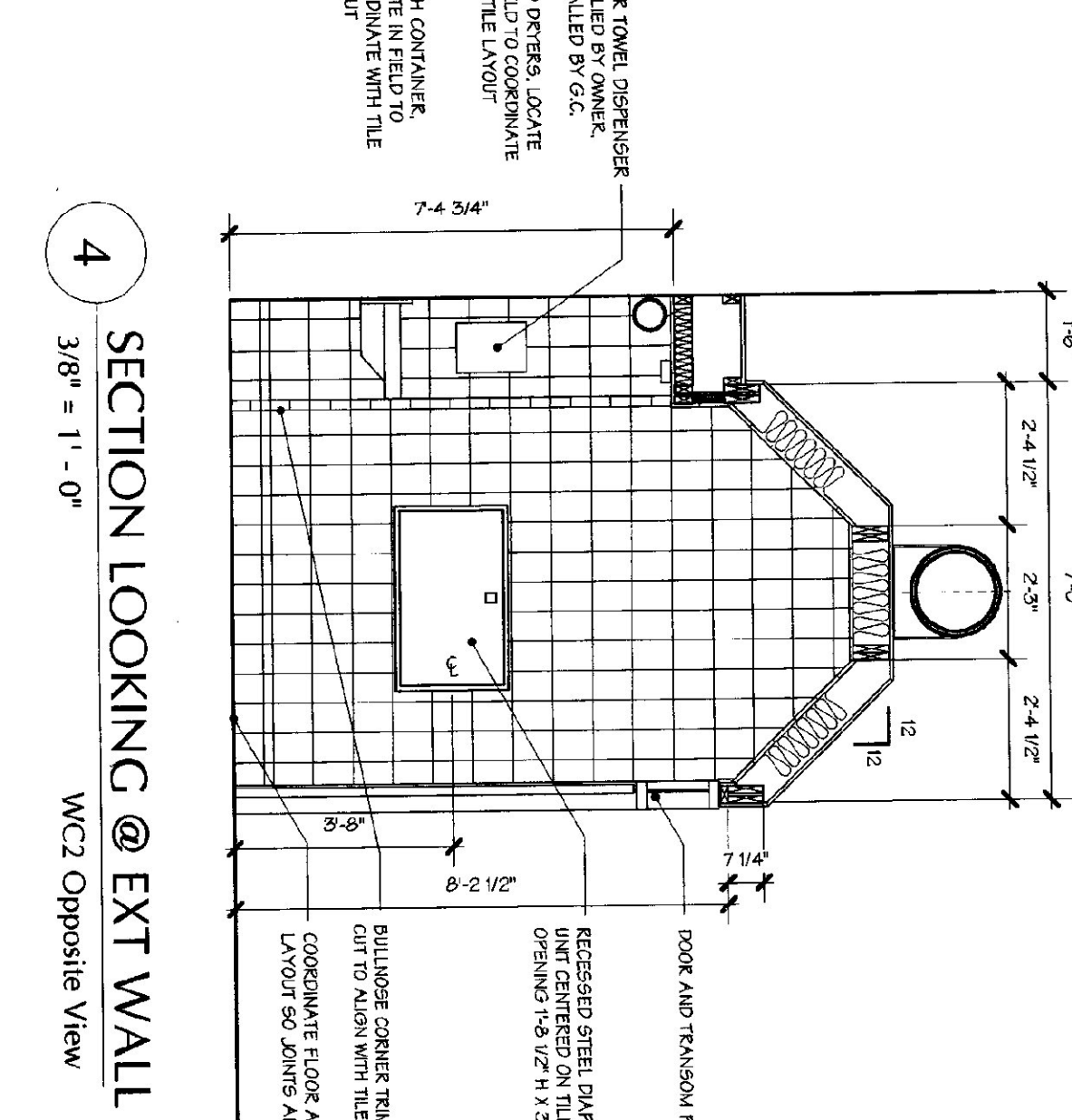
3 SECTION LOOKING @ DOORS
3/8" = 1' - 0"



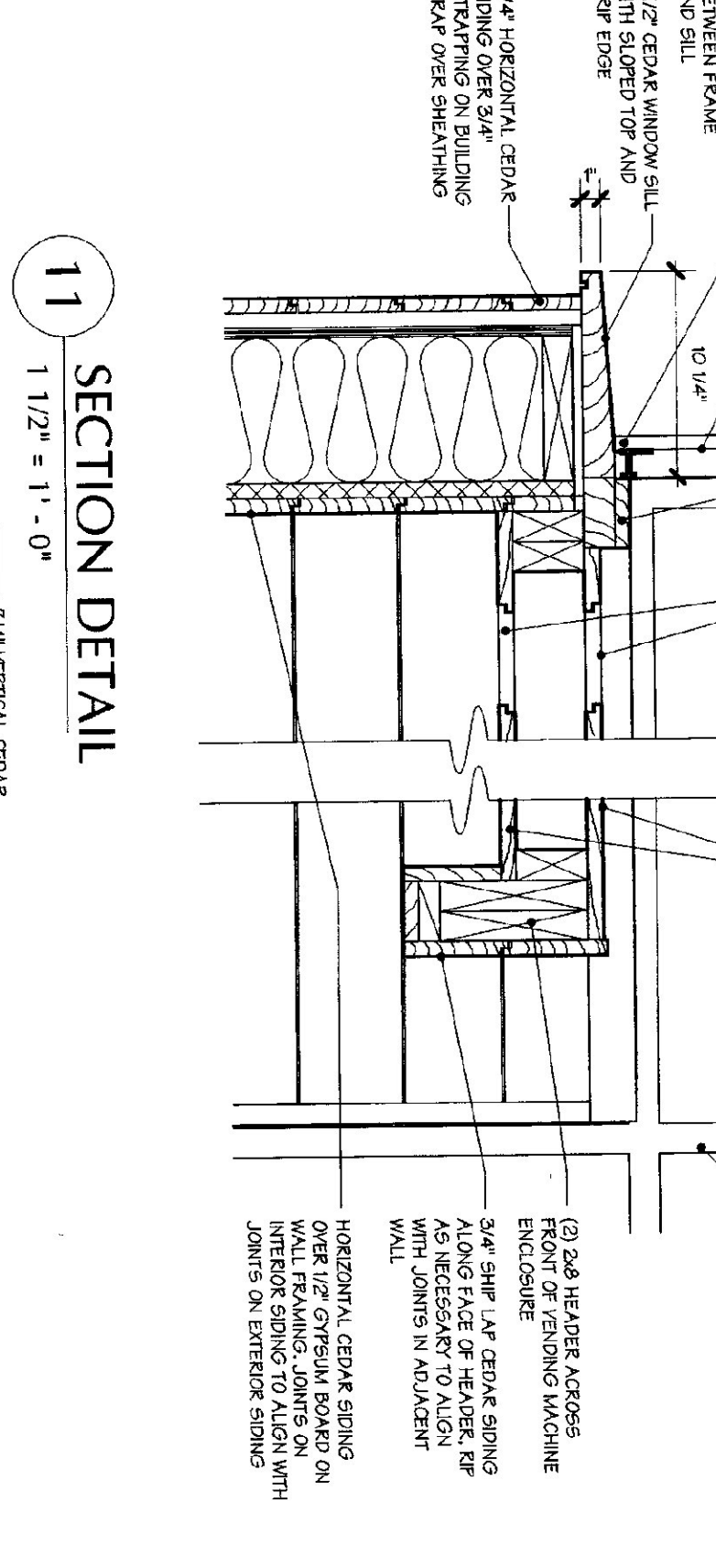
10 PLAN



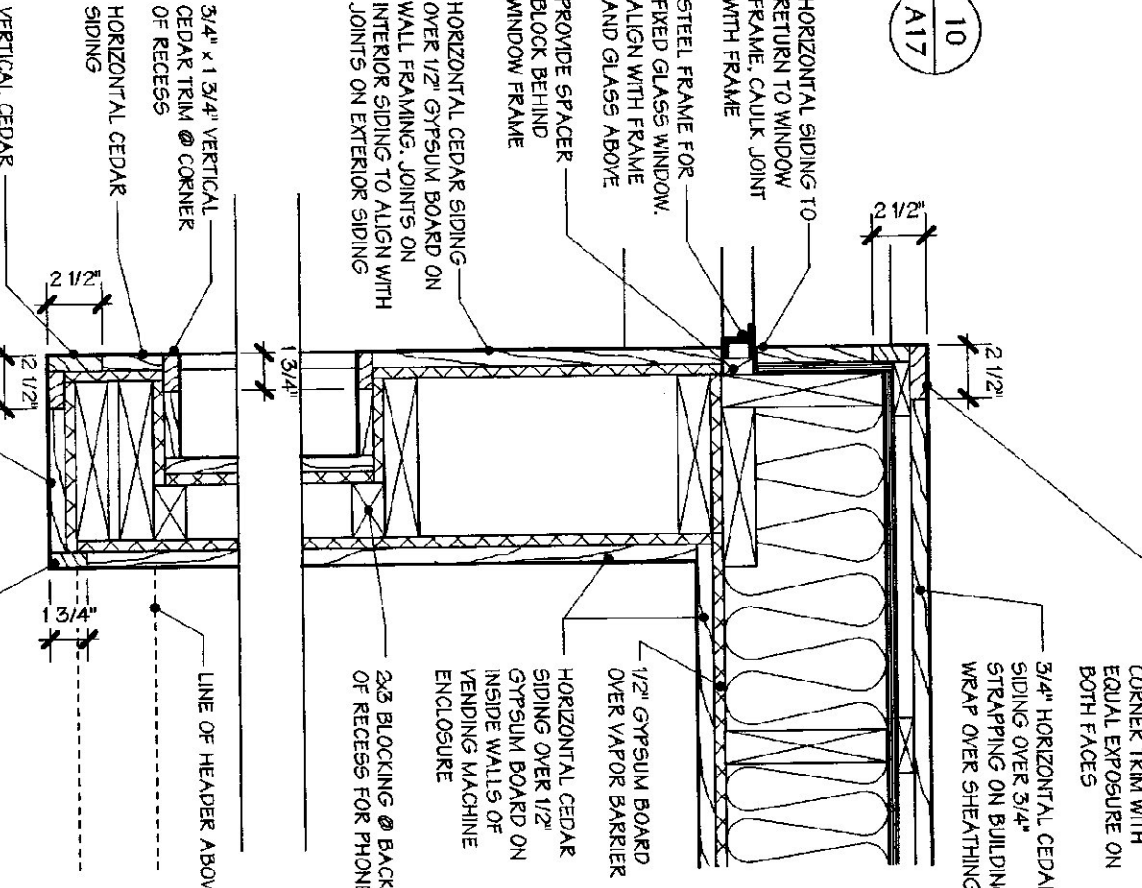
FRONT ELEVATION



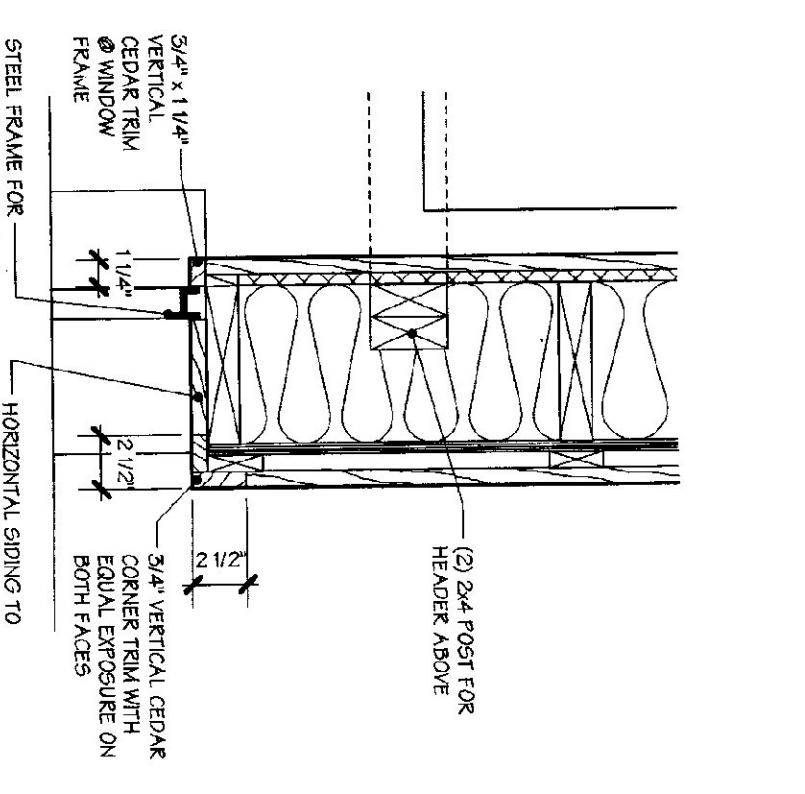
4 SECTION LOOKING @ EXT WALL
3/8" = 1' - 0"
WC2 Opposite View



11 SECTION DETAIL
1 1/2" = 1' - 0"



9 PLAN DETAIL
1 1/2" = 1' - 0"



10 PLAN DETAIL
1 1/2" = 1' - 0"

