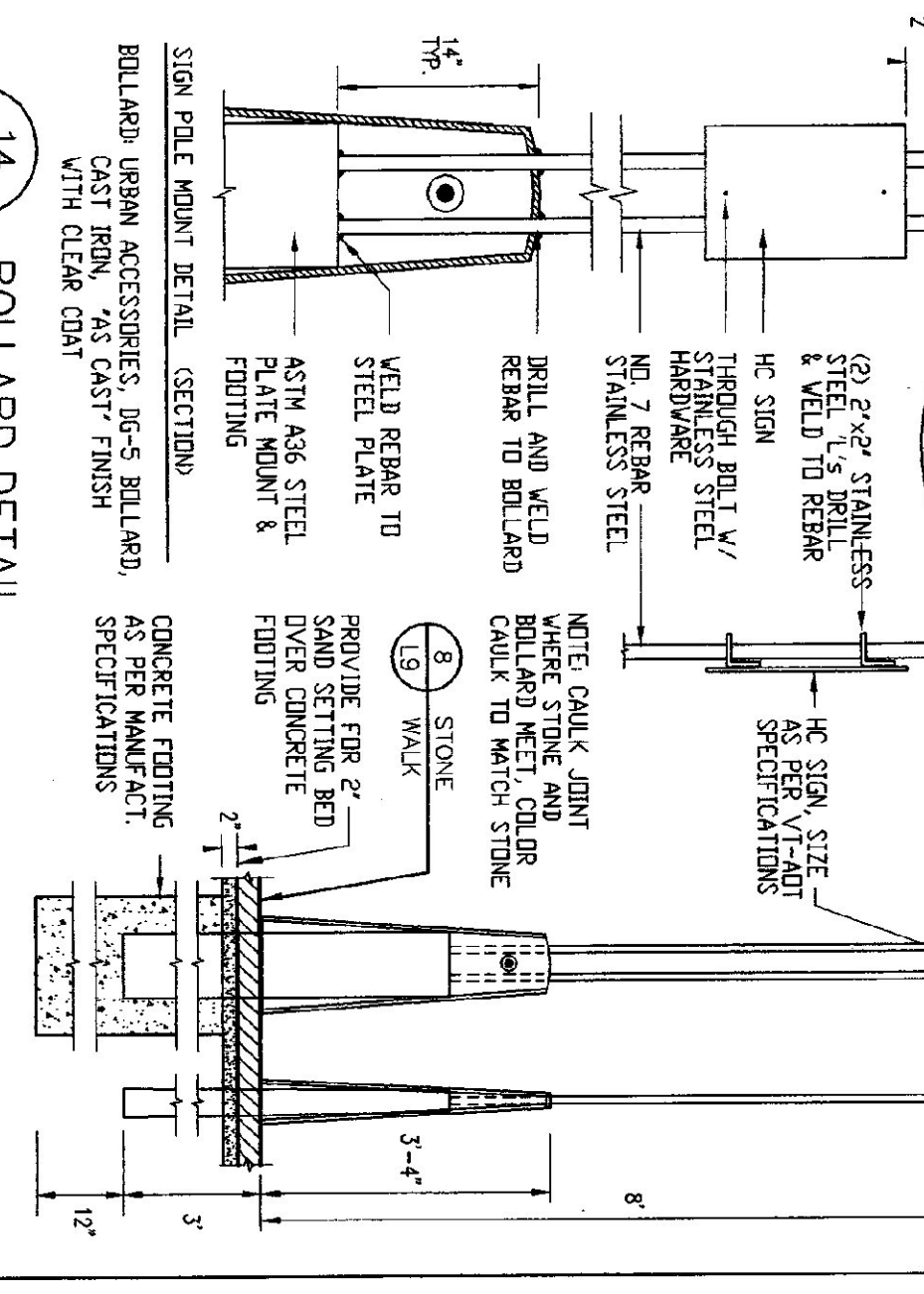
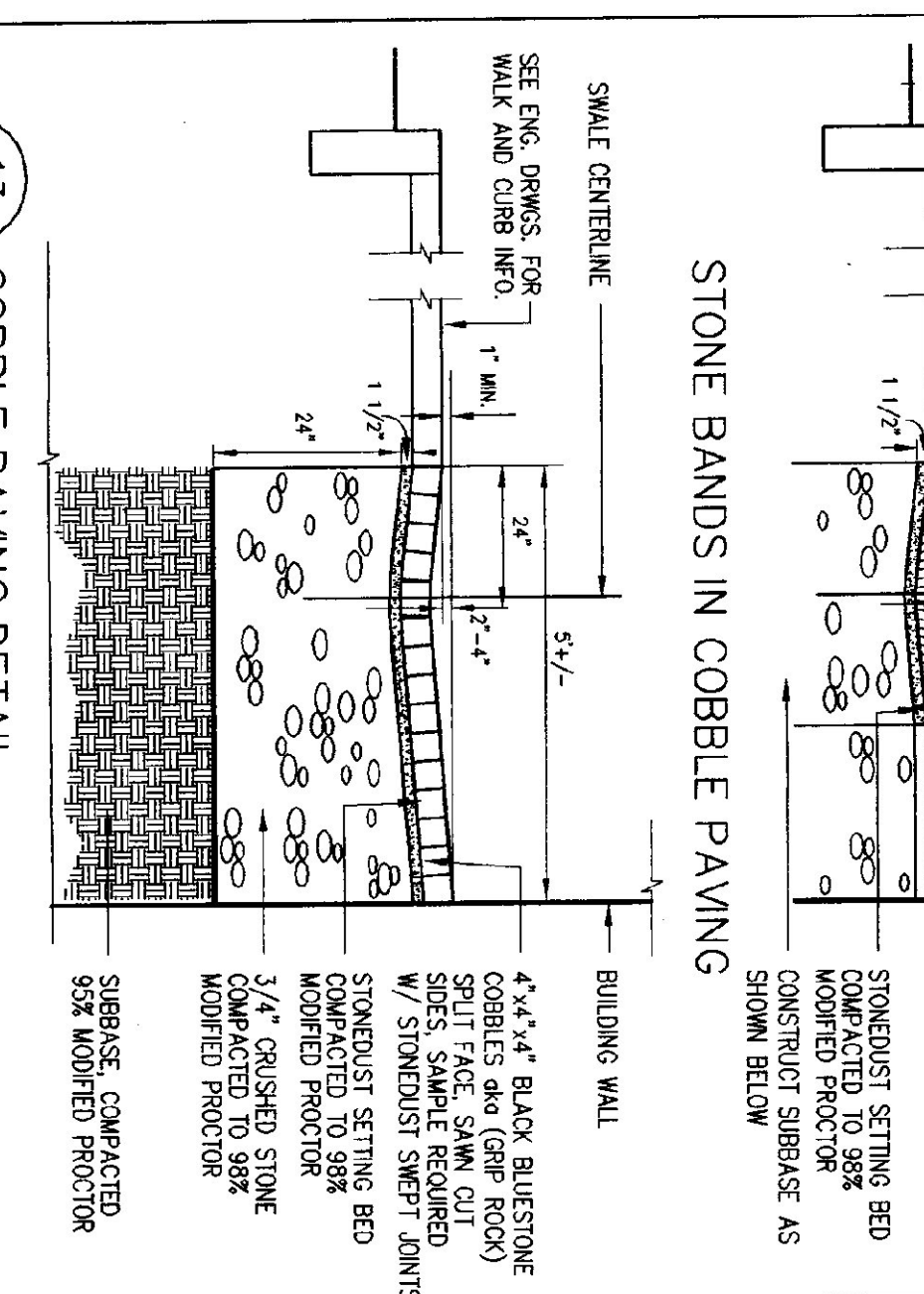
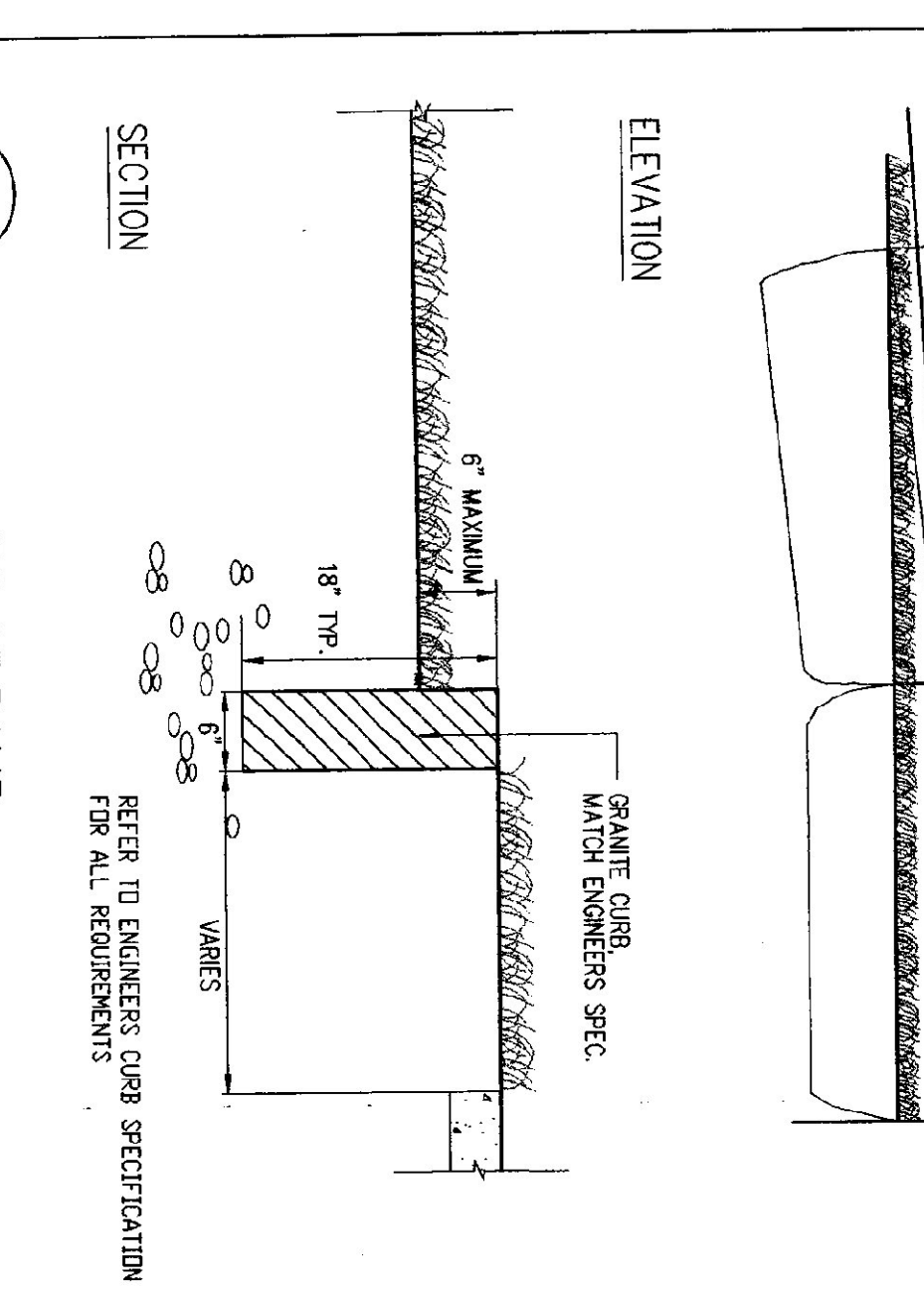
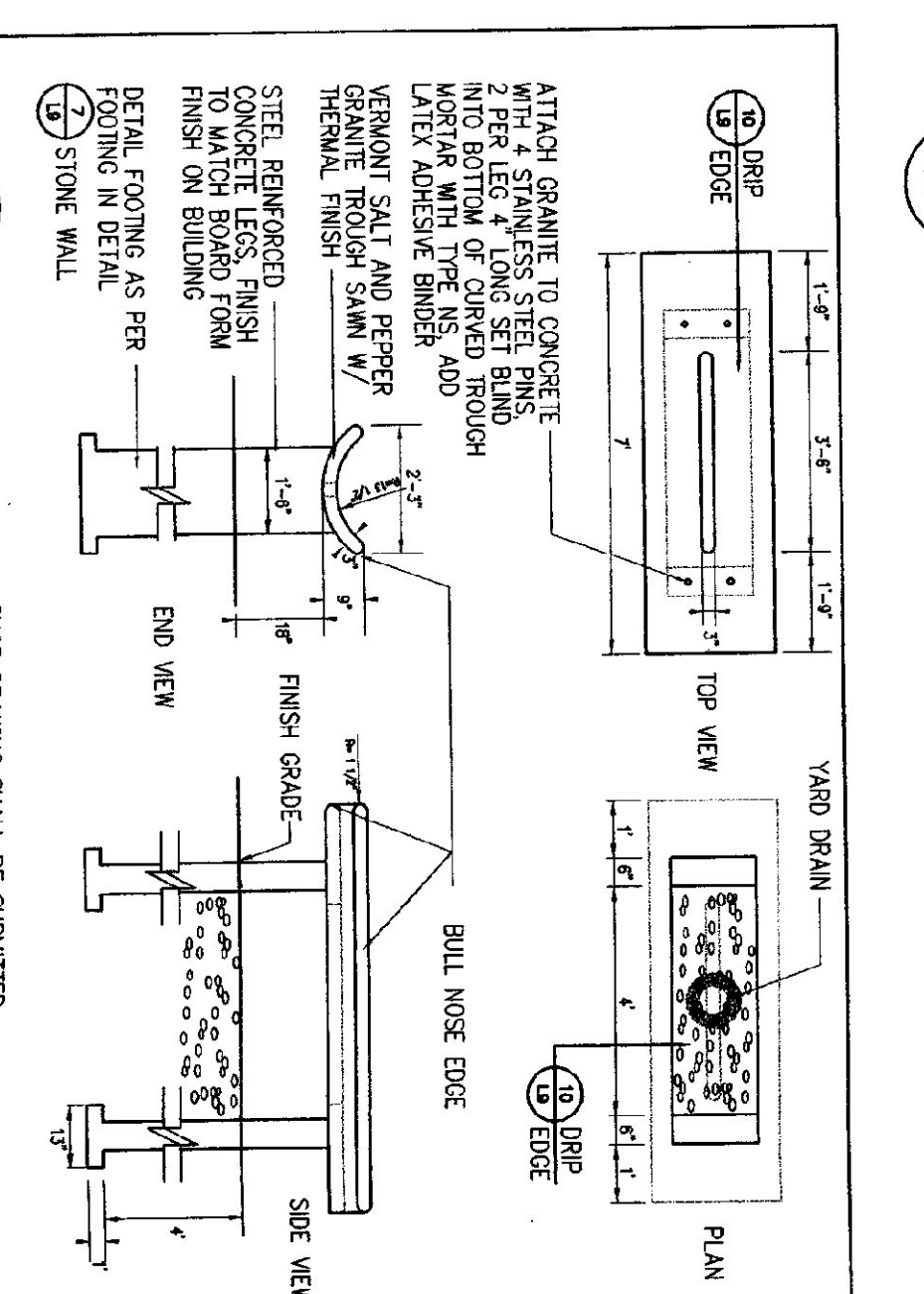
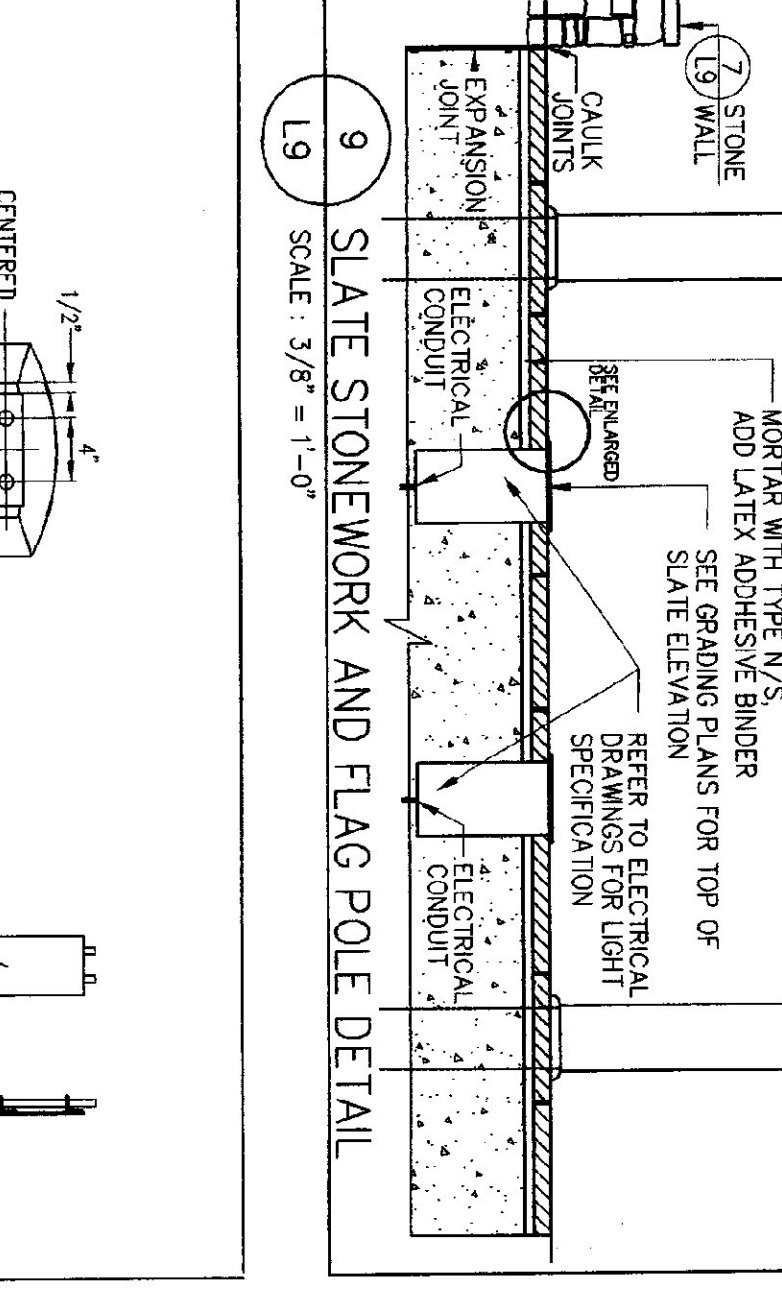
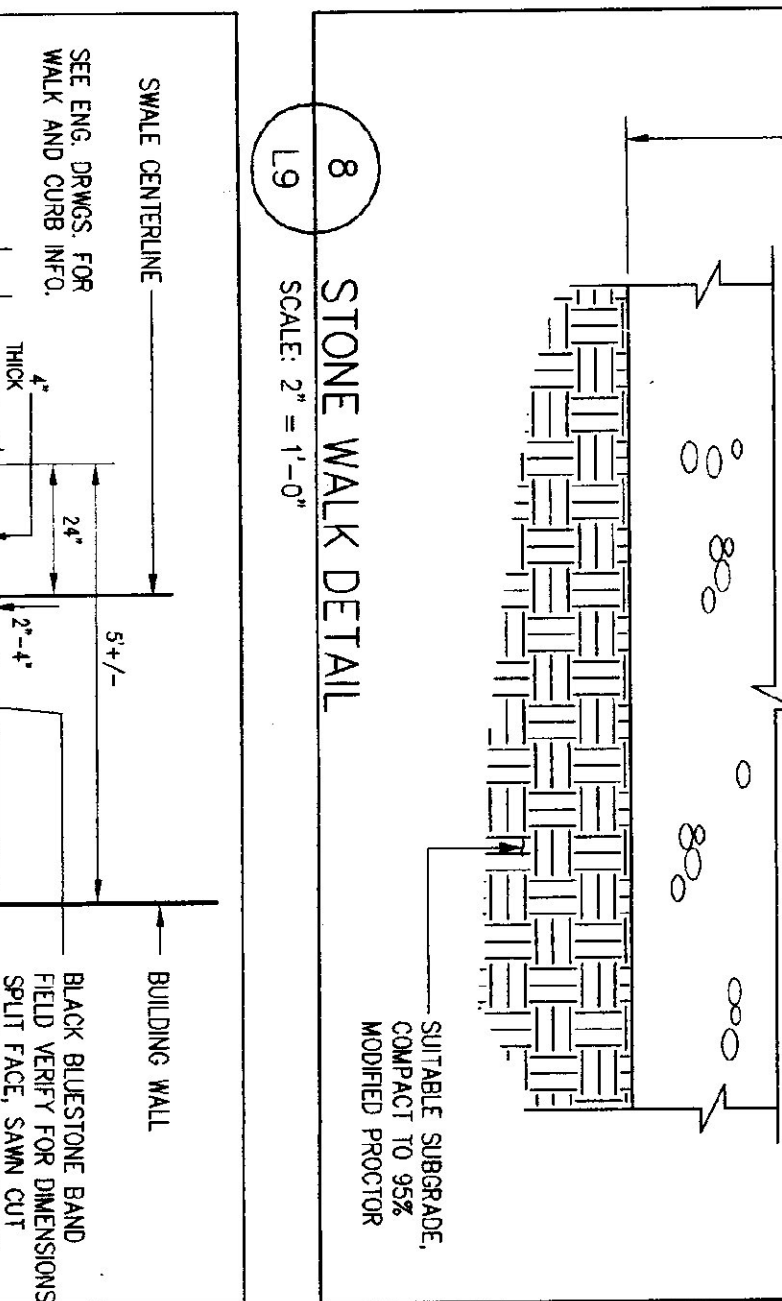
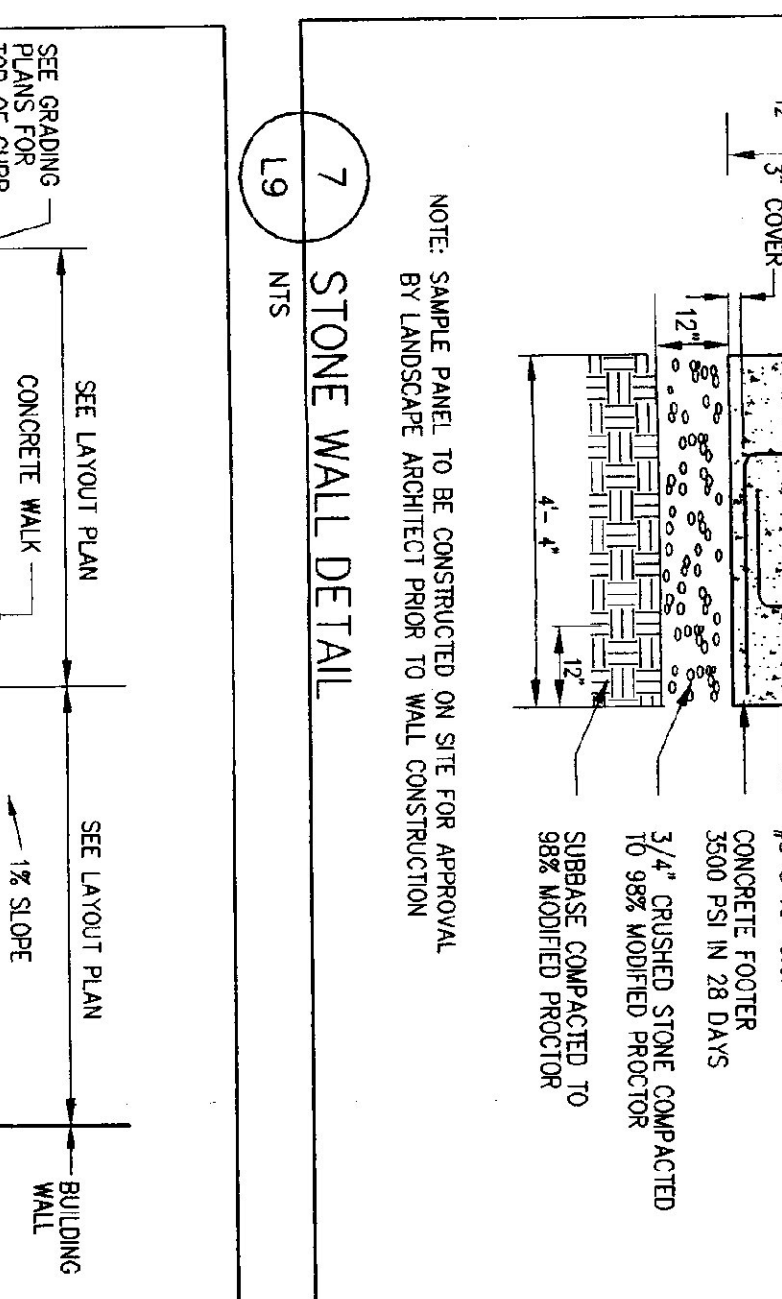
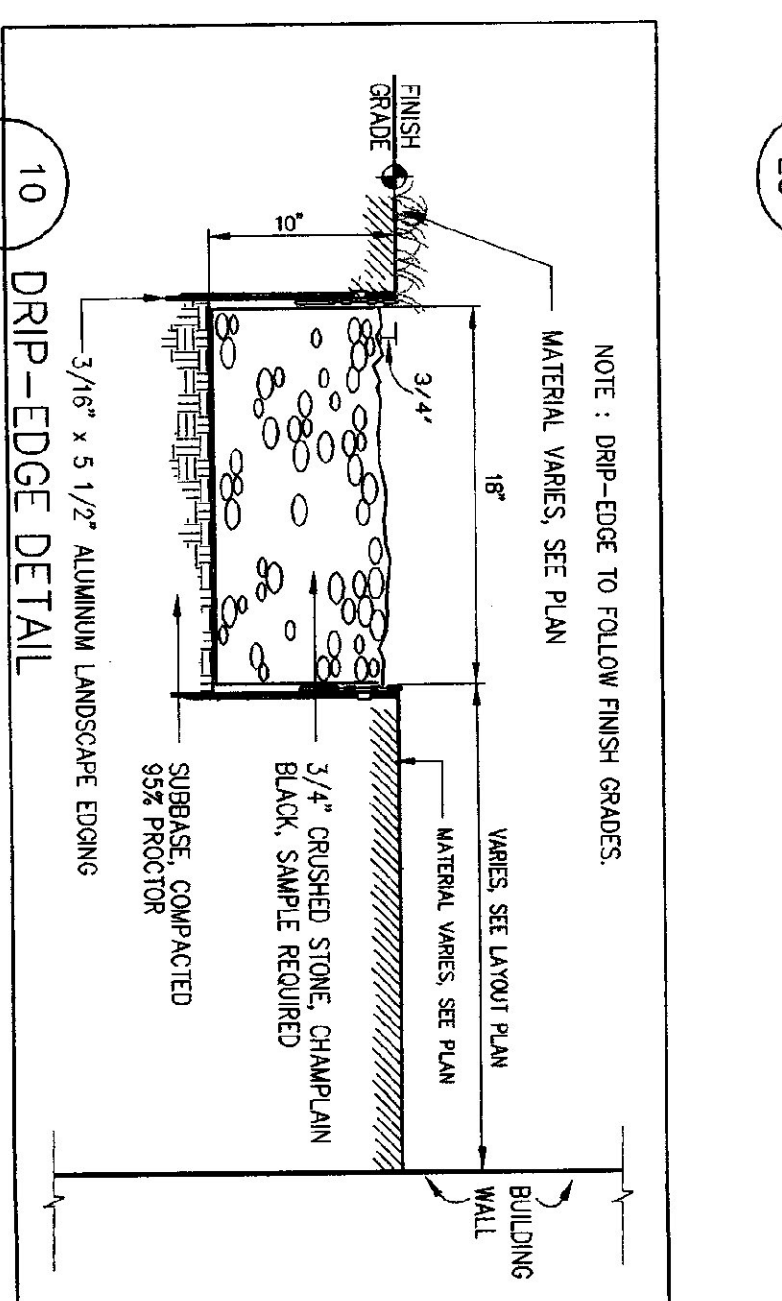
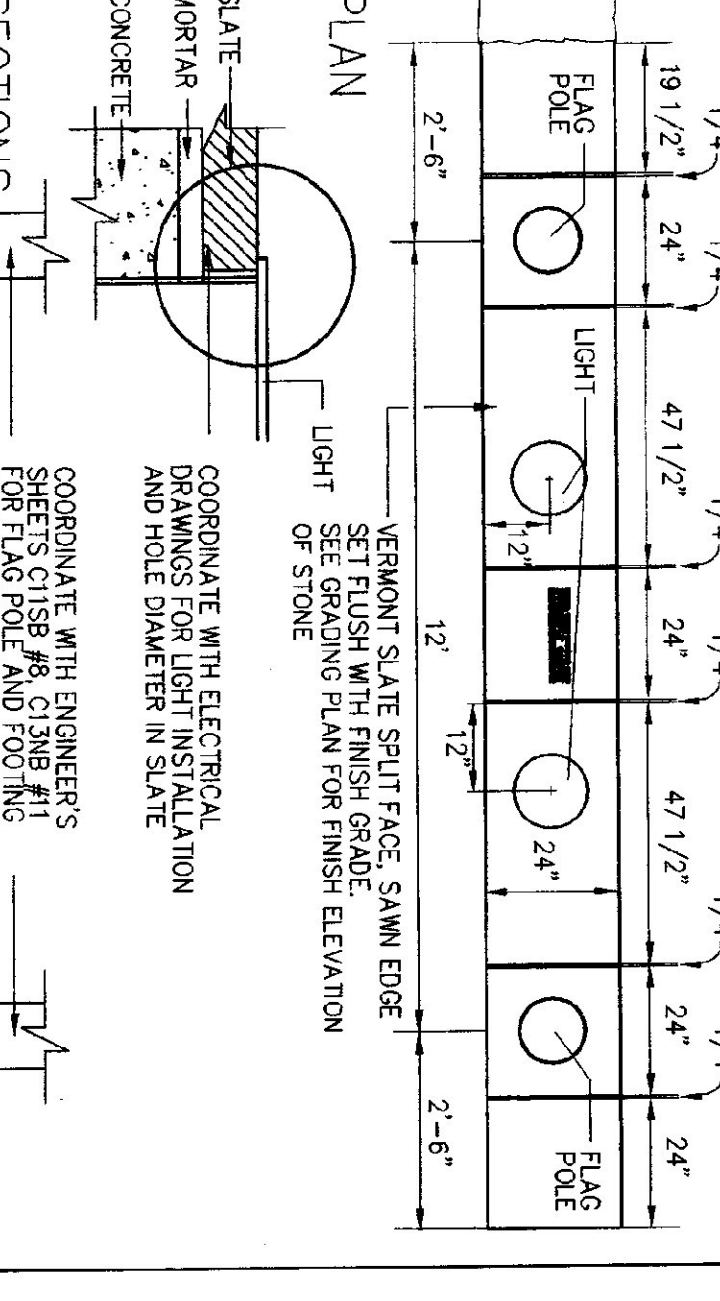
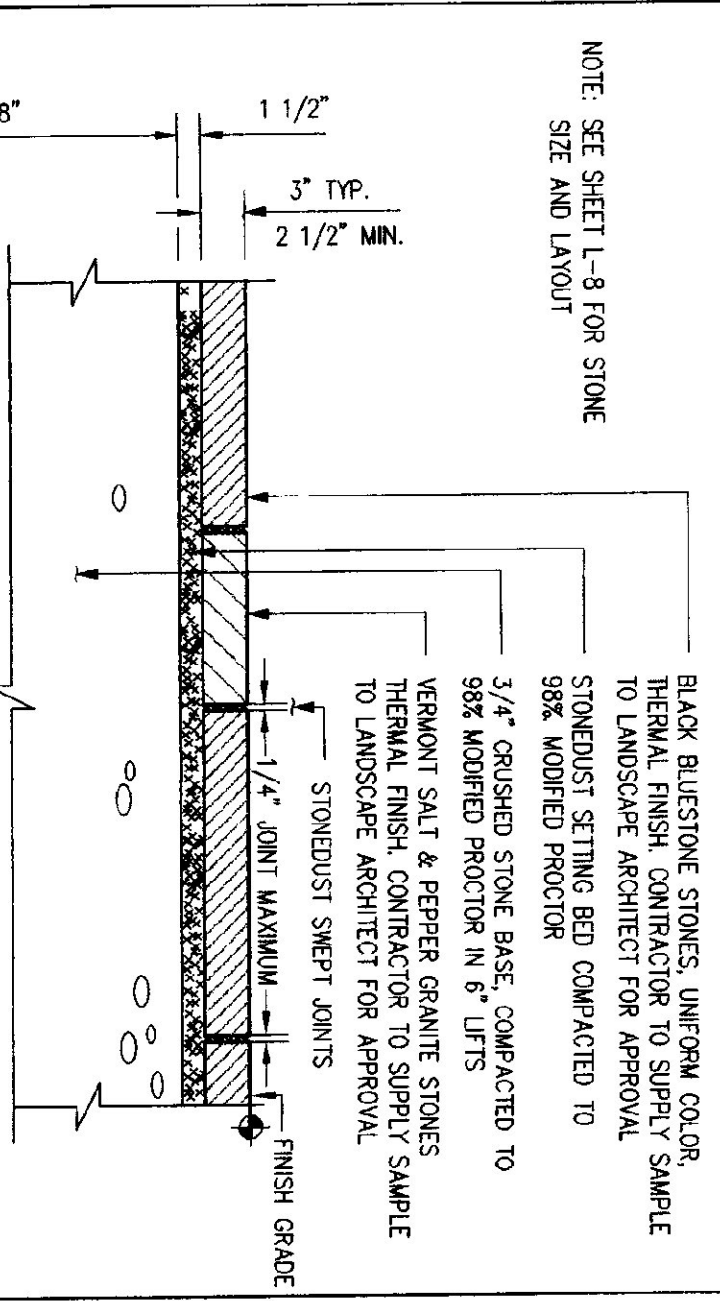
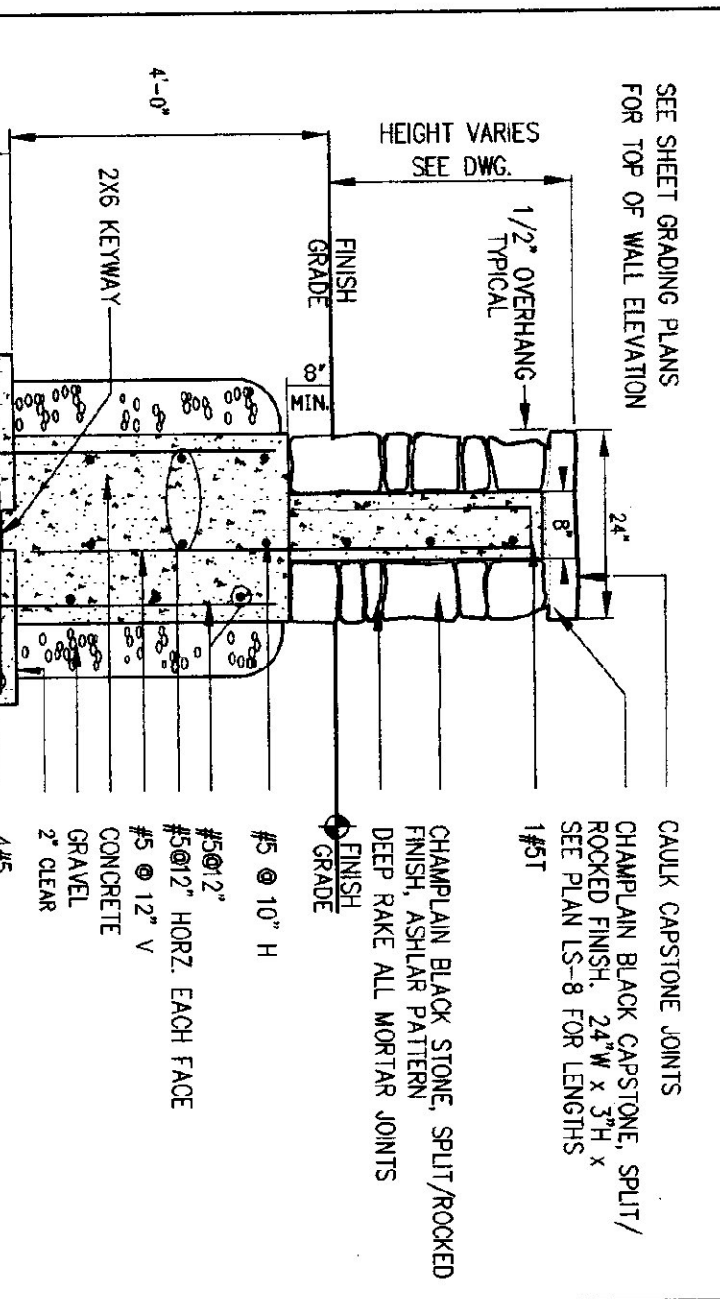
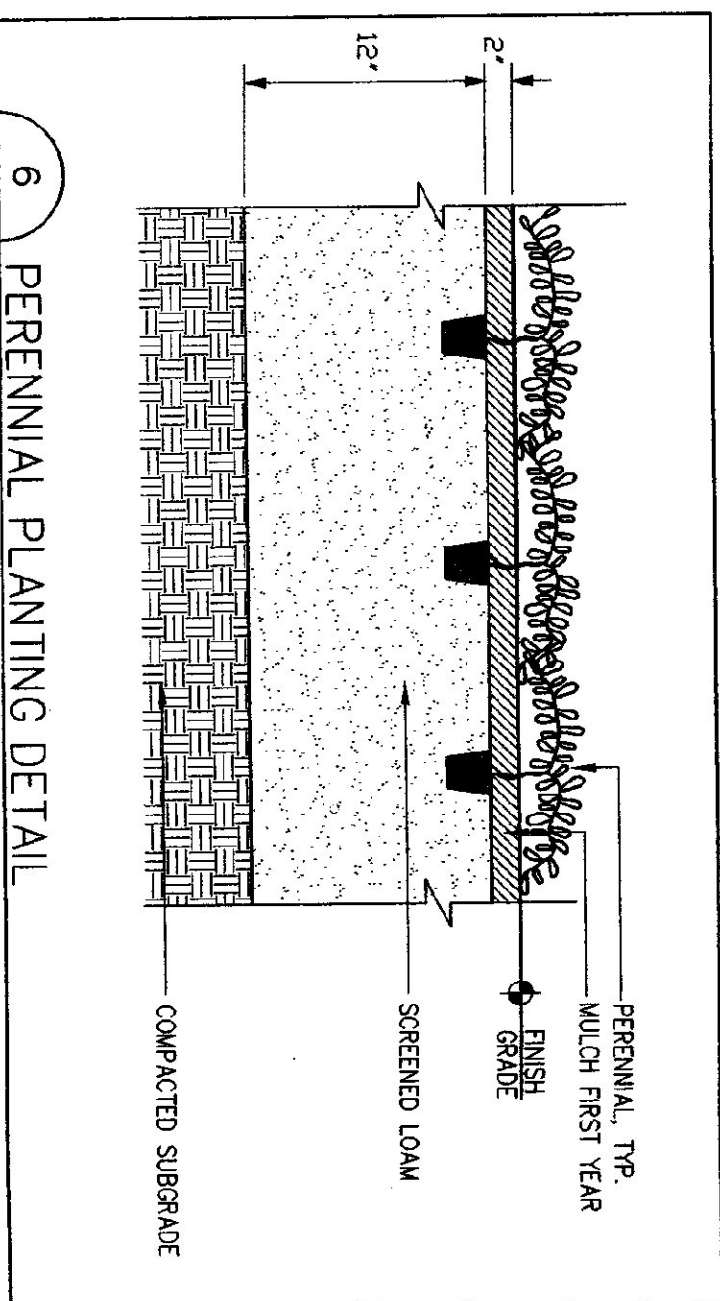


REVISIONS	BY
1.16.2001	AGS



REVISIONS	BY
1.16.2001	AGS

INTERSTATE 89 NORTH & SOUTH BOUND
REST AREA
LANDSCAPE
CONSTRUCTION DETAILS
WILLISTON VERMONT

OHKW
OFFICE OF H. KEITH WAGNER
LANDSCAPE ARCHITECTS

CHAMPLAIN CONSULTING ENGINEERS
128 PRIM ROAD, P.O. BOX 453
COLCHESTER, VERMONT 05446
(802) 863-8060
(802) 864-1878 FAX

COPYRIGHT ©2000
OFFICE OF H. KEITH WAGNER
ALL RIGHTS RESERVED

9 of 11
L9
SHEETS