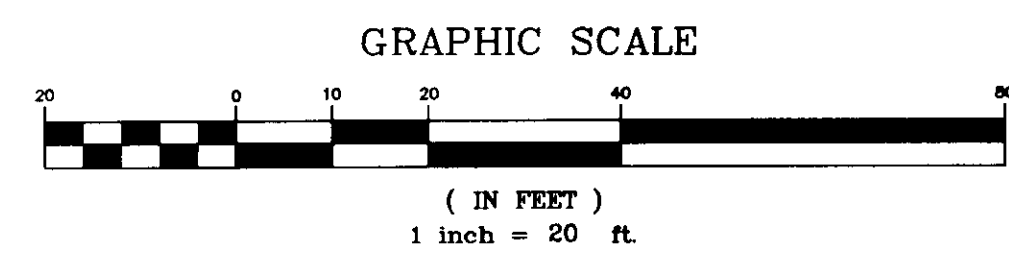
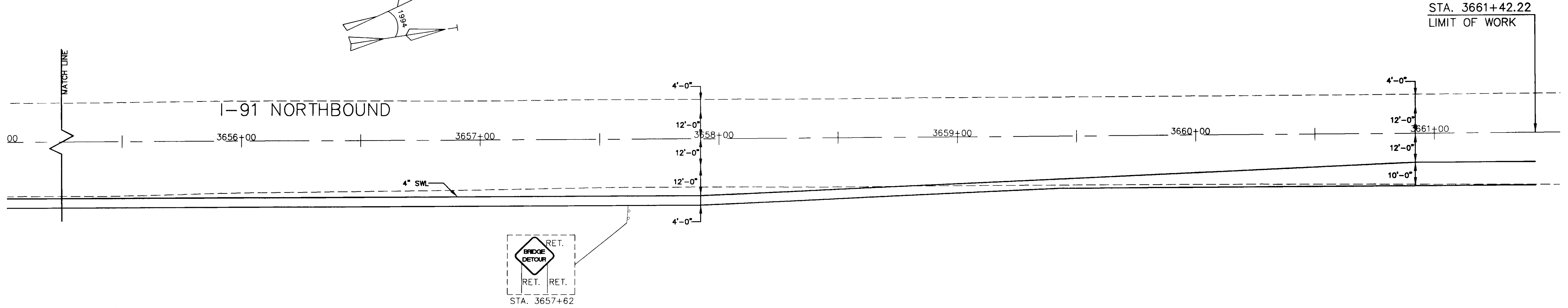
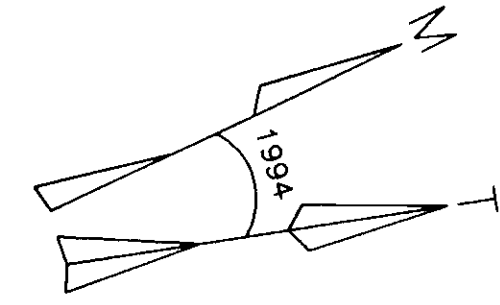


**DURABLE 4" WHITE LINE**  
 STA. 3655+25 (24' RT) TO STA. 3657+92.22 (24' RT)  
 STA. 3657+92.22 (24' RT) TO STA. 3660+92.22 (12' RT)  
 STA. 3660+92.22 (12' RT) TO STA. 3661+42.22 (12' RT)



STRIPING ABBREVIATIONS	
ABBREVIATION	DESCRIPTION
DWL	4" DOTTED WHITE LINE
SWL	4" SOLID WHITE LINE
SYL	4" SOLID YELLOW LINE
BWL	4" BROKEN WHITE LINE
WTL	8" WHITE TRANSVERSE LINE

ALL PAVEMENT MARKINGS SHALL BE THERMOPLASTIC.

**N·B·F**  
 Nimitz · Berryhill · Figiel  
 ARCHITECTS P.C.  
 24 1/2 Center Street, Rutland, Vermont 05701

**Steven J. Banik, P.E.**  
 STRUCTURAL ENGINEER  
 Cuttingsville, Vermont 05738

**DuBois & King inc.**  
 Highway Design  
 Site Engineering  
 Mechanical and  
 Electrical Engineers

HARTFORD, VT. I-91  
 INFORMATION CENTERS

NORTHBOUND ACCEL.  
 SIGNING, LIGHTING, &  
 PAVEMENT MARKING

FINAL PLANS

**R35**

2/15/96

C:\DATA\PM2668\5\IN\ACT\TRP Tue Mar 12 08:26:29 1996  
 Draw 3-15-96